



US00D366385S

United States Patent [19]

[11] Patent Number: **Des. 366,385**

Alessi Anghii et al.

[45] Date of Patent: ****Jan. 23, 1996**

[54] **ELECTRIC COFFEE MAKER**

[75] Inventors: **Alberto Alessi Anghii**, Omegna;
Alessandro Mendini, Milan, both of
Italy; **Chin Leong**, Groningen,
Netherlands

[73] Assignee: **U.S. Philips Corporation**, New York,
N.Y.

[**] Term: **14 Years**

[21] Appl. No.: **26,773**

[22] Filed: **Aug. 4, 1994**

[30] **Foreign Application Priority Data**

Jul. 2, 1994 [CH] Switzerland DM/029.477

[52] U.S. Cl. **D7/309**; D7/310

[58] Field of Search D7/300, 302, 312,
D7/316, 317, 318, 319, 320, 322, 321,
309, 310, 619, 622, 311; 97/275, 279, 295

[56] **References Cited**

U.S. PATENT DOCUMENTS

D. 145,838 10/1946 Florian D7/321

D. 161,253	12/1950	Freeman	D7/312
D. 304,146	10/1989	Wernink	D7/317
D. 323,951	2/1992	Inoue	D7/319 X
D. 342,415	12/1993	Morgan	D7/311 X
D. 342,416	12/1993	Morgan	D7/319
D. 347,962	6/1994	Tardif	D7/317
D. 350,667	9/1994	Saltet	D7/310 X
2,266,570	12/1941	Searls	D7/312 X

Primary Examiner—Alan P. Douglas
Assistant Examiner—M. N. Pandozzi
Attorney, Agent, or Firm—Jack E. Haken

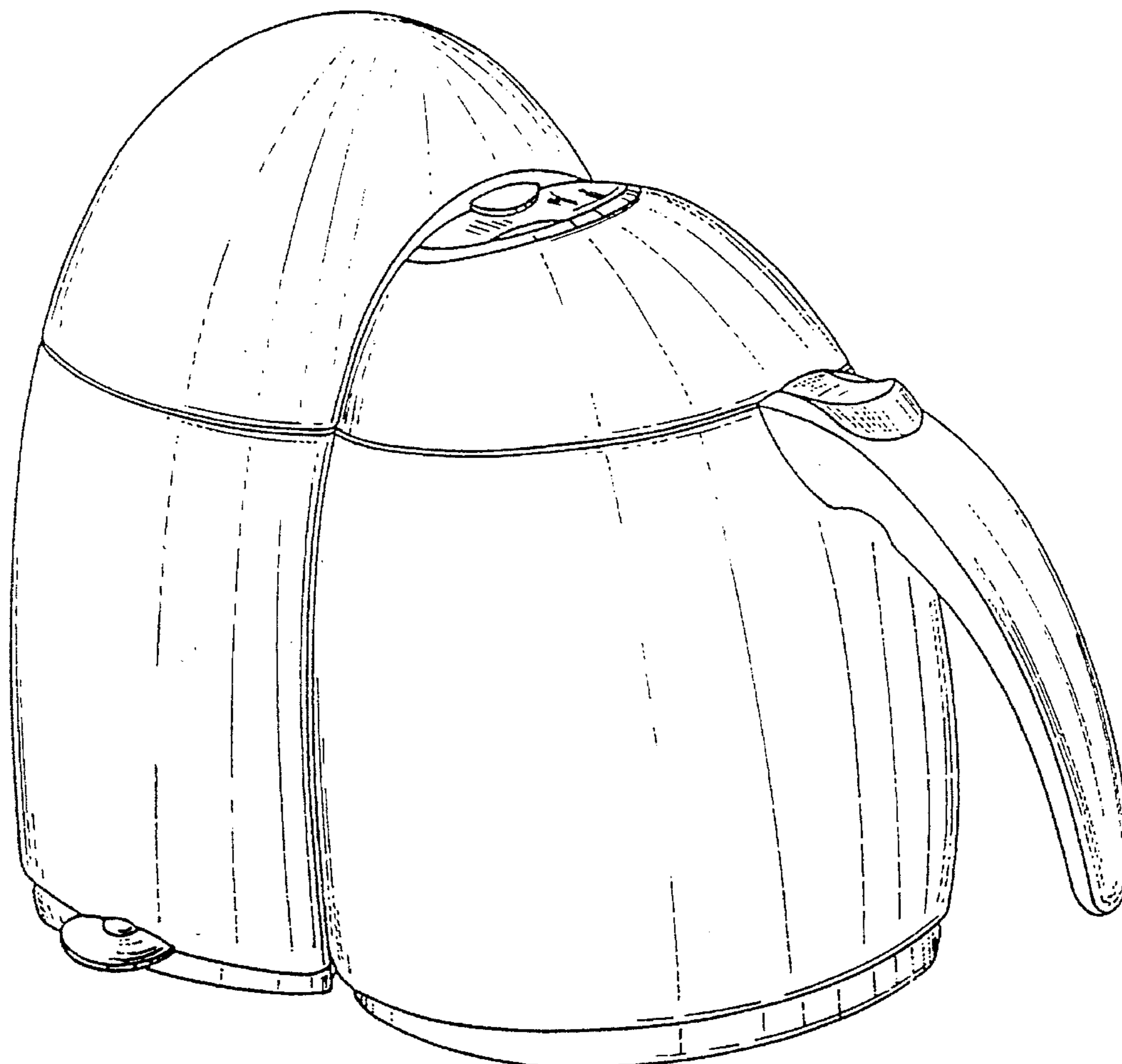
[57] **CLAIM**

The ornamental design for an electric coffee maker, as shown.

DESCRIPTION

FIG. 1 is a perspective view showing our new design;
FIG. 2 is a right side elevational view thereof;
FIG. 3 is a left side elevational view thereof;
FIG. 4 is a front elevational view thereof;
FIG. 5 is a rear elevational view thereof;
FIG. 6 is a top plan view thereof; and,
FIG. 7 is a bottom plan view thereof.

1 Claim, 5 Drawing Sheets



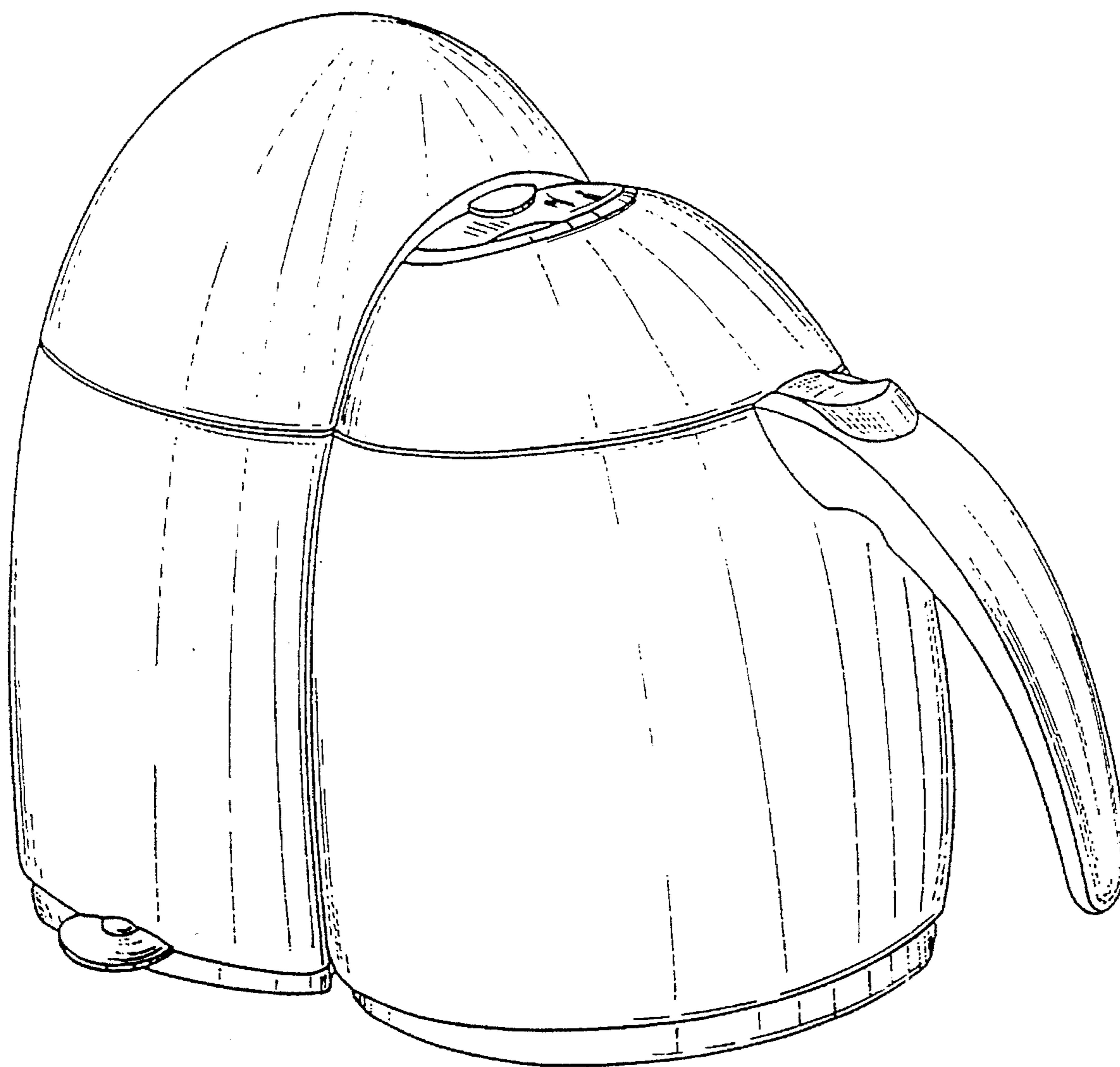


FIG. 1

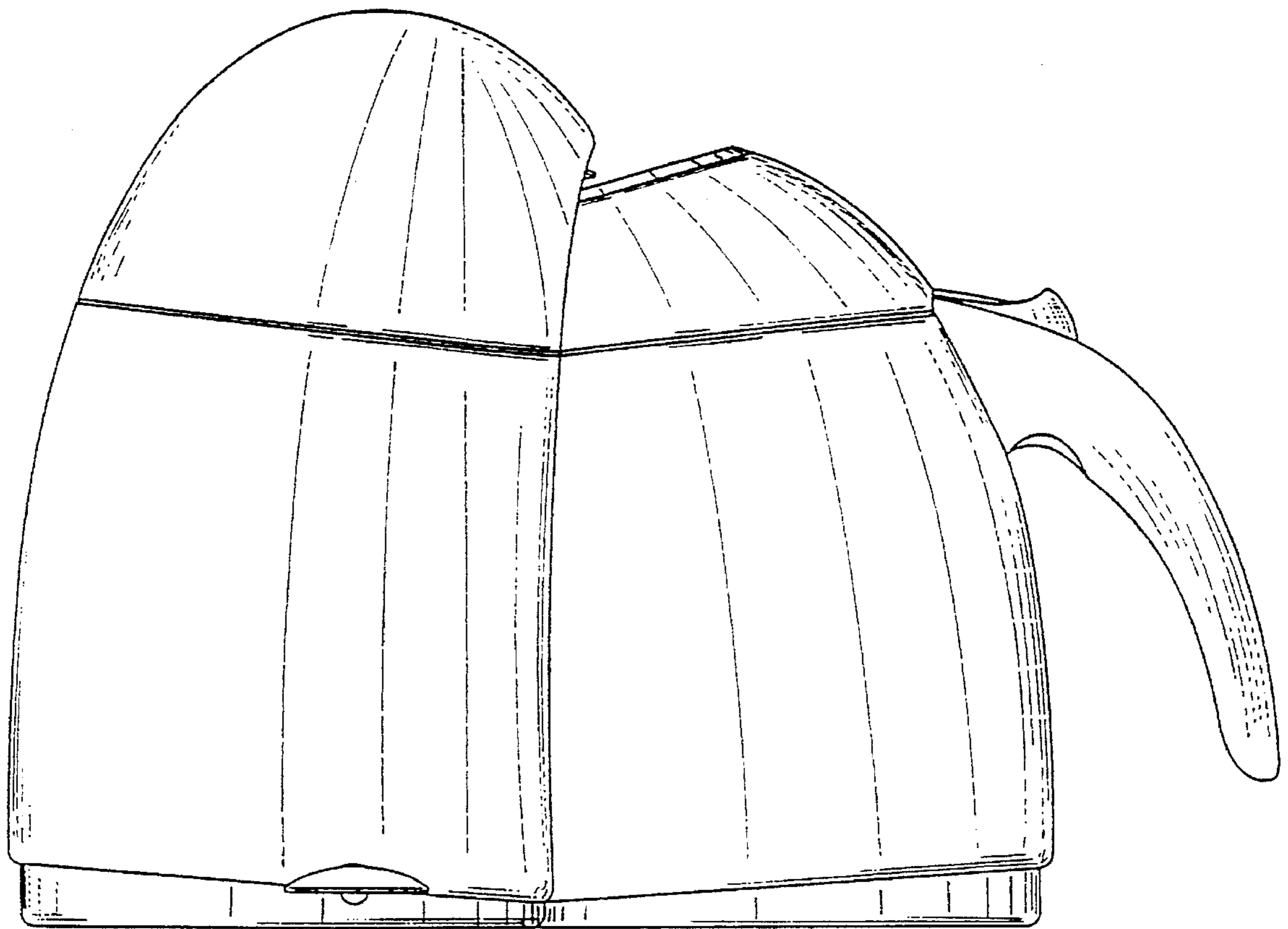


FIG. 2

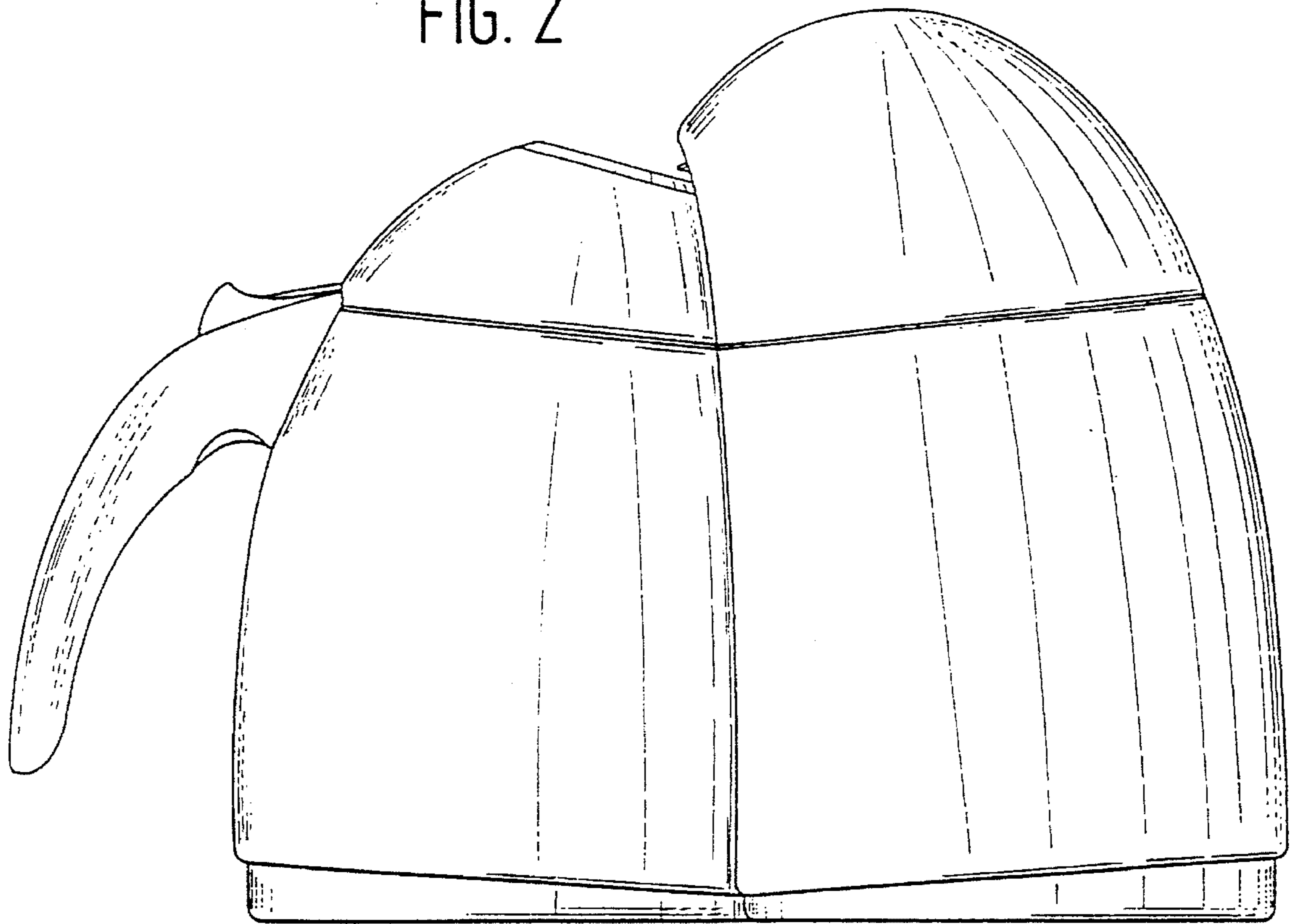


FIG. 3

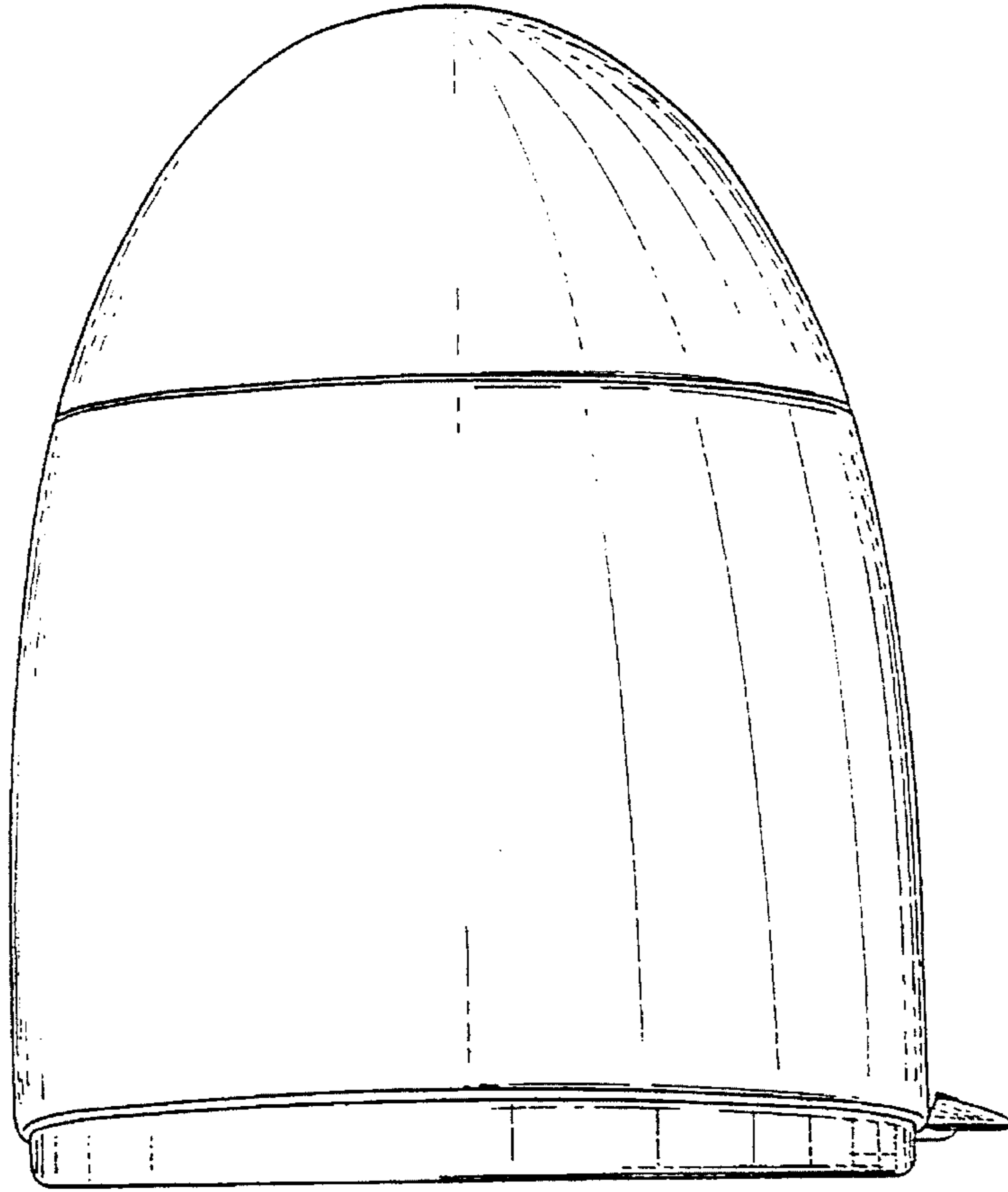


FIG. 4

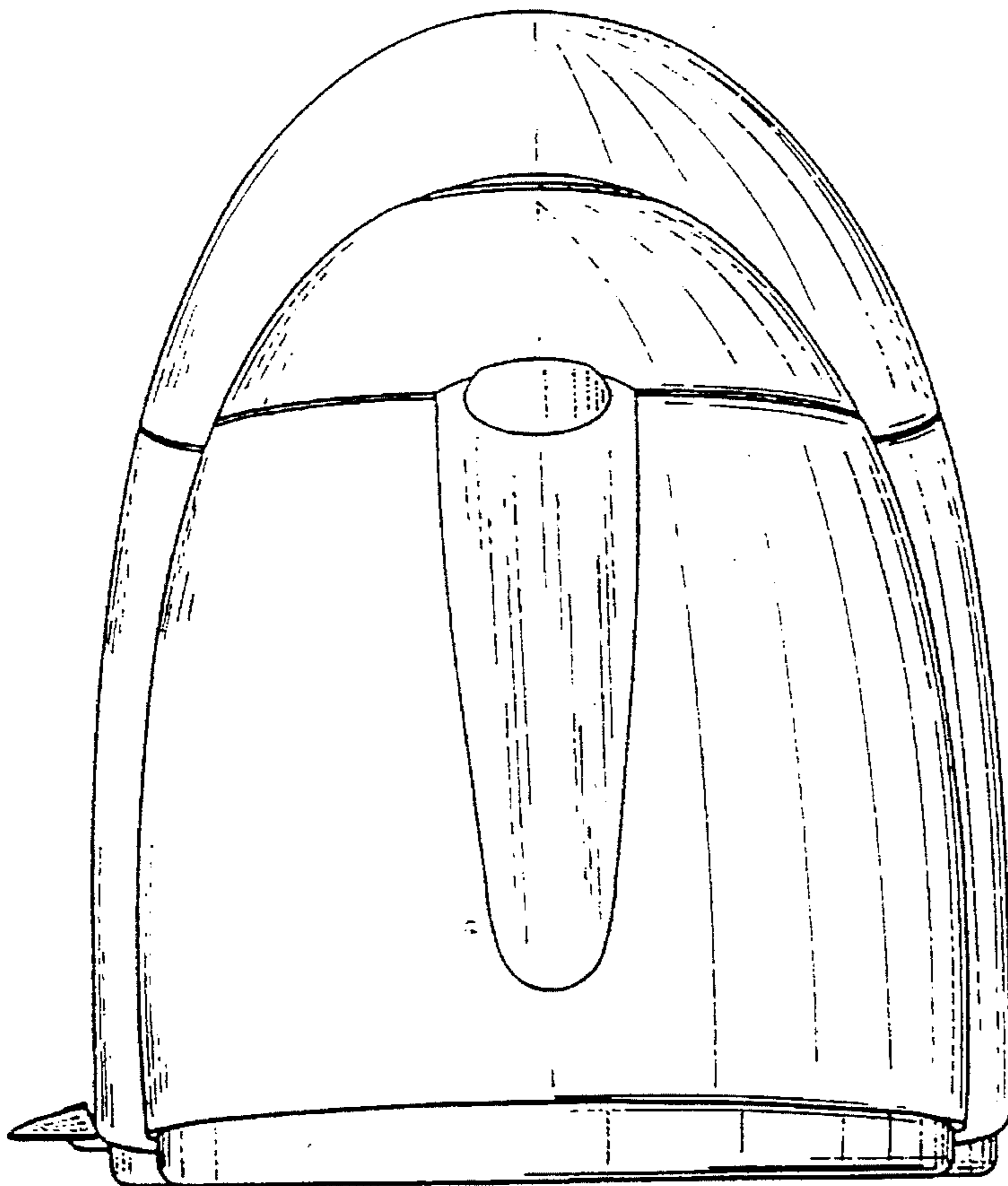


FIG. 5

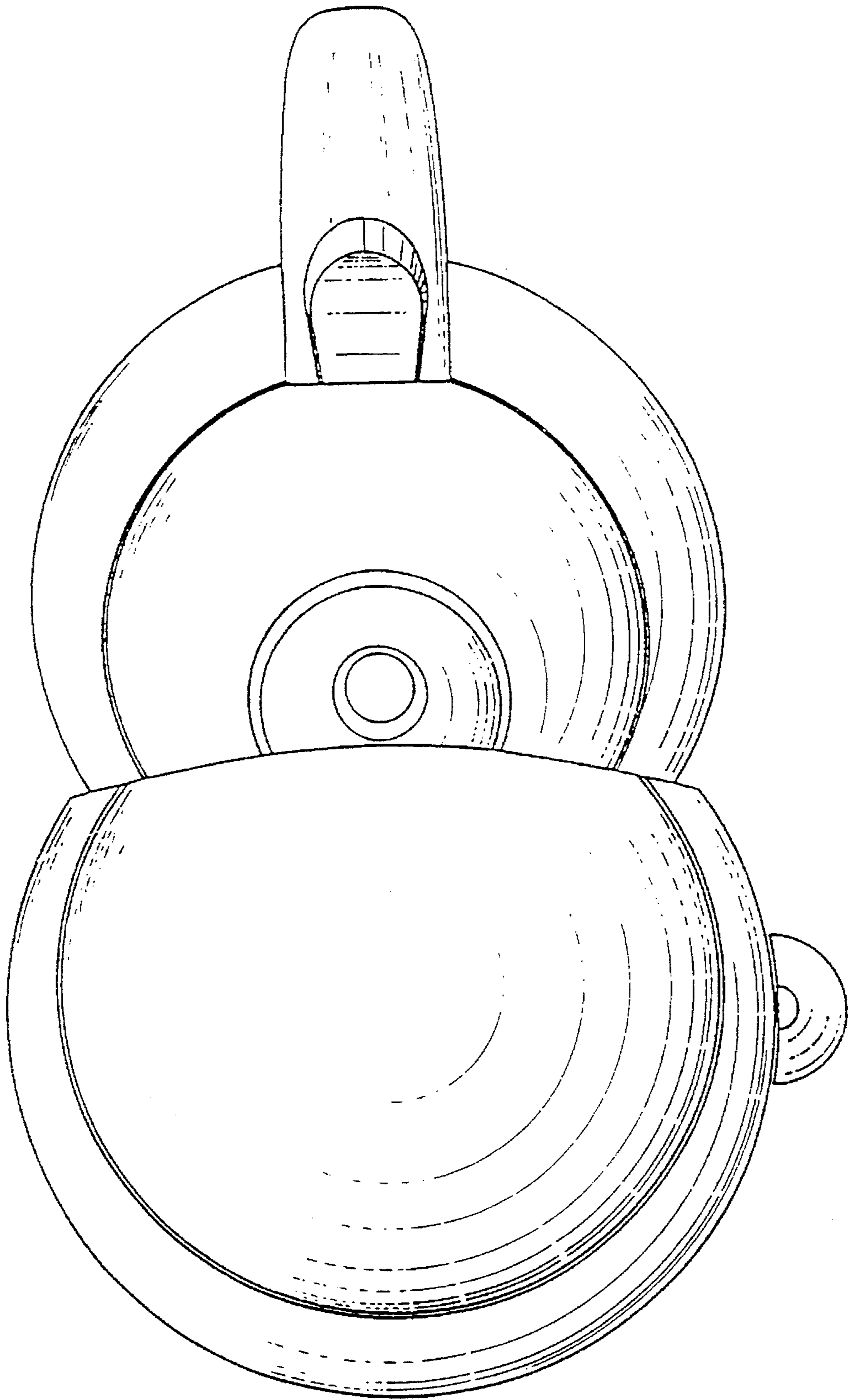


FIG. 6

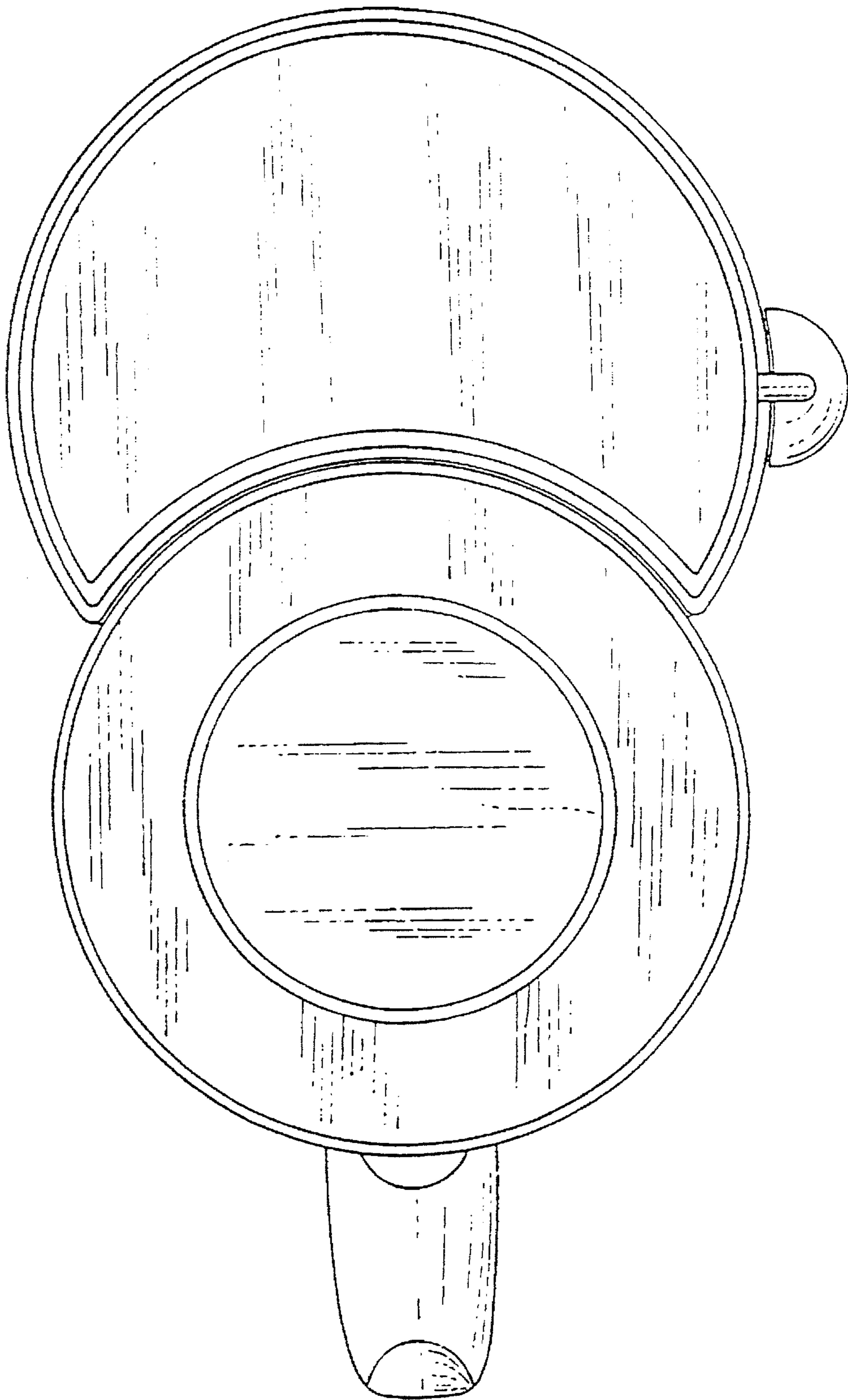


FIG. 7