



US00D366383S

United States Patent [19] Briegleb

[11] Patent Number: **Des. 366,383**

[45] Date of Patent: ****Jan. 23, 1996**

[54] FOLDING ATTACHABLE SEAT CUSHION

4,190,918 3/1980 Harvell 5/465

[75] Inventor: **Kenneth B. Briegleb**, 7817 NE. 379th St., La Center, Wash. 98629

Primary Examiner—A. Hugo Word
Assistant Examiner—Lavone D. Tabor

[73] Assignee: **Kenneth B. Briegleb**, La Center, Wash.

[57] **CLAIM**

[**] Term: **14 Years**

The ornamental design for a folding attachable seat cushion, as shown and described.

[21] Appl. No.: **31,388**

DESCRIPTION

[22] Filed: **Nov. 25, 1994**

[52] U.S. Cl. **D6/601**

[58] Field of Search D6/595-596, 601, D6/606; D3/273, 278; 5/417, 420, 448, 652-653, 656, 481, 465; 297/219.1, 229, 350-351, 452.26, DIG. 1

FIG. 1 is a perspective view of the cushion folded for carrying;

FIG. 2 is a perspective view of the cushion unfolded for sitting;

FIG. 3 is a top view;

FIG. 4 is a left side view, the right side is a mirror image of this;

FIG. 5 is front view;

FIG. 6 is a bottom view; and,

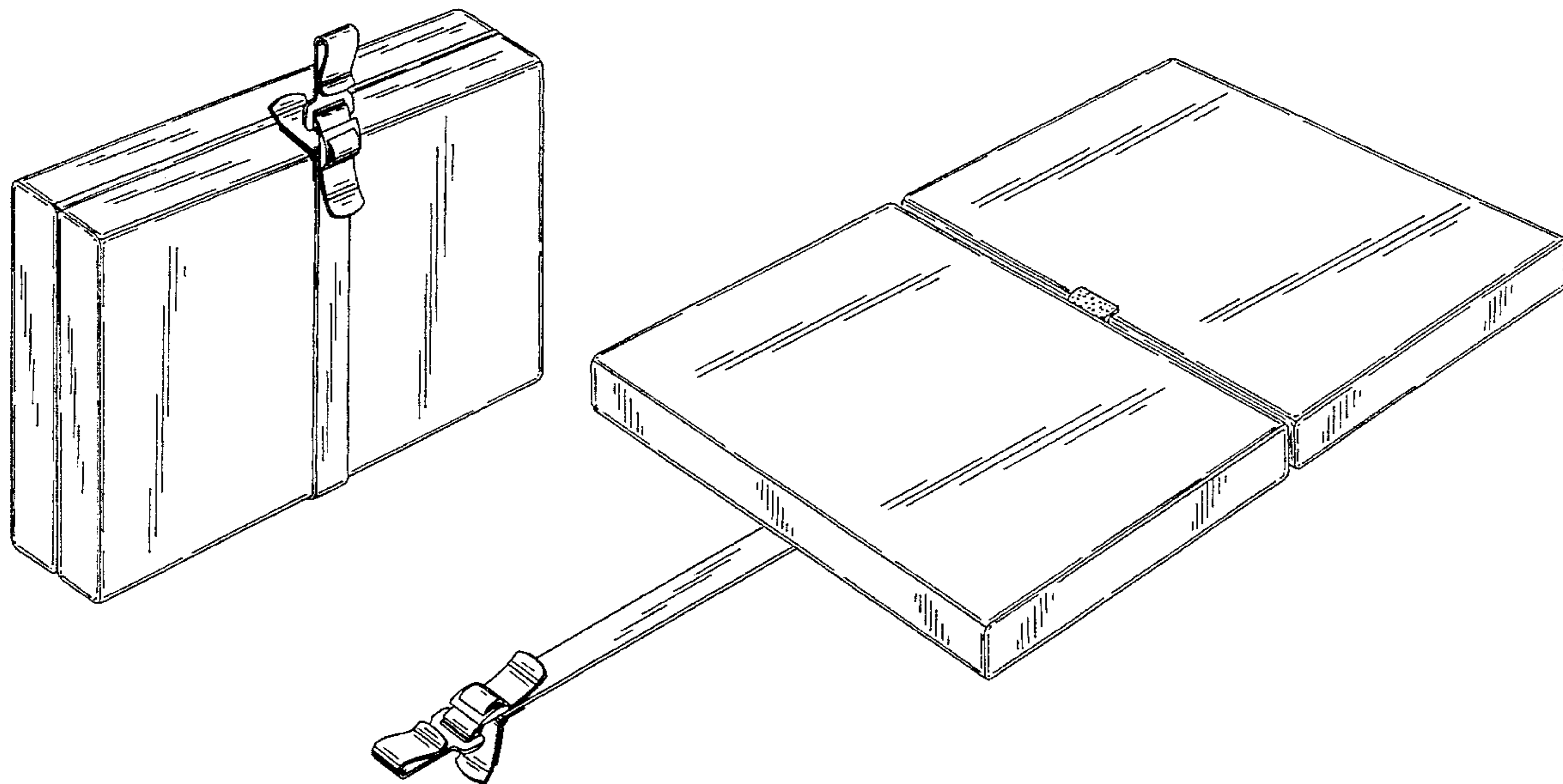
FIG. 7 is a back view.

[56] **References Cited**

U.S. PATENT DOCUMENTS

D. 293,170 12/1987 Roberts D6/596 X
3,659,297 5/1972 Schutz 5/465

1 Claim, 2 Drawing Sheets



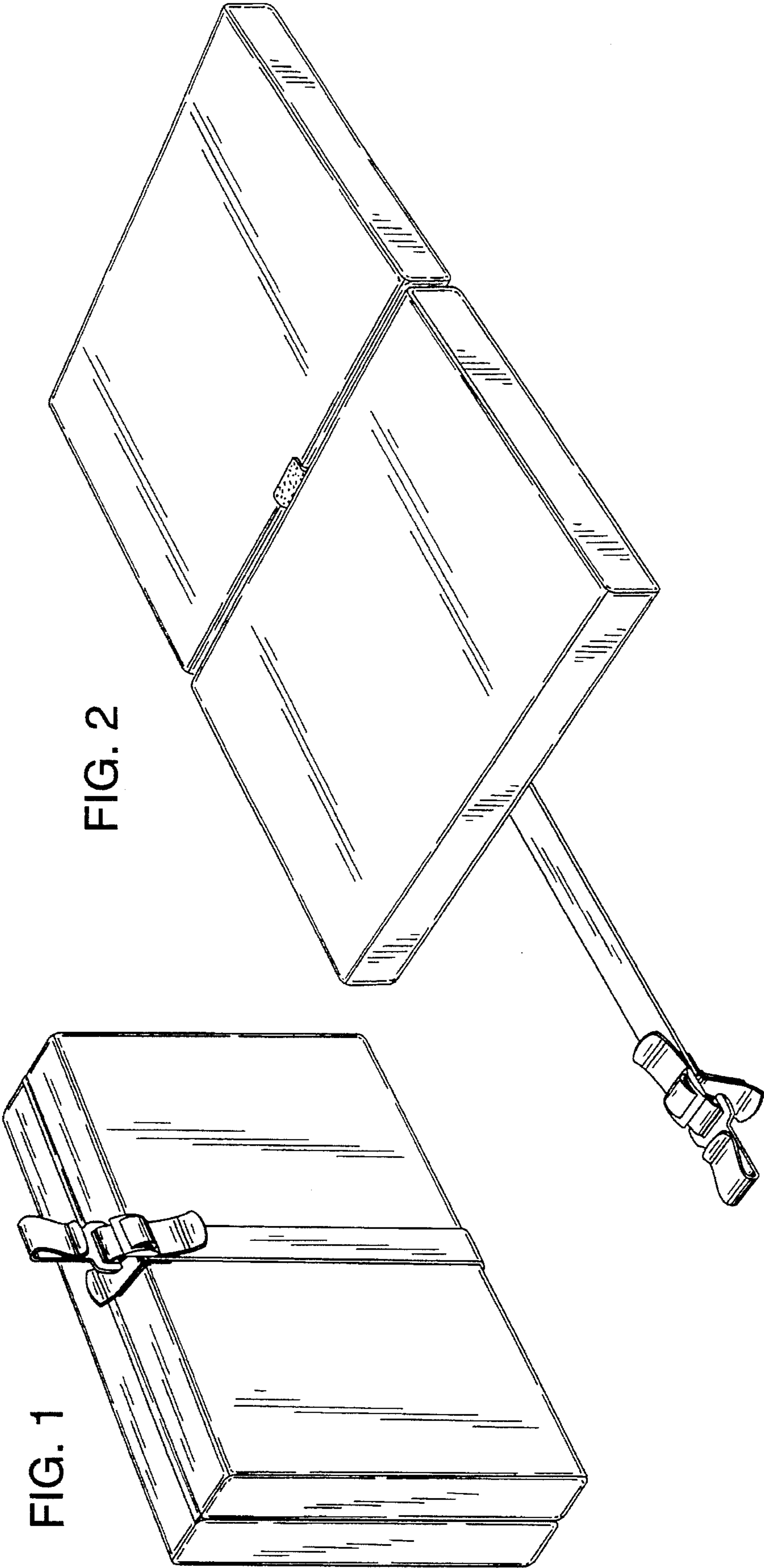


FIG. 2

FIG. 1

FIG. 3

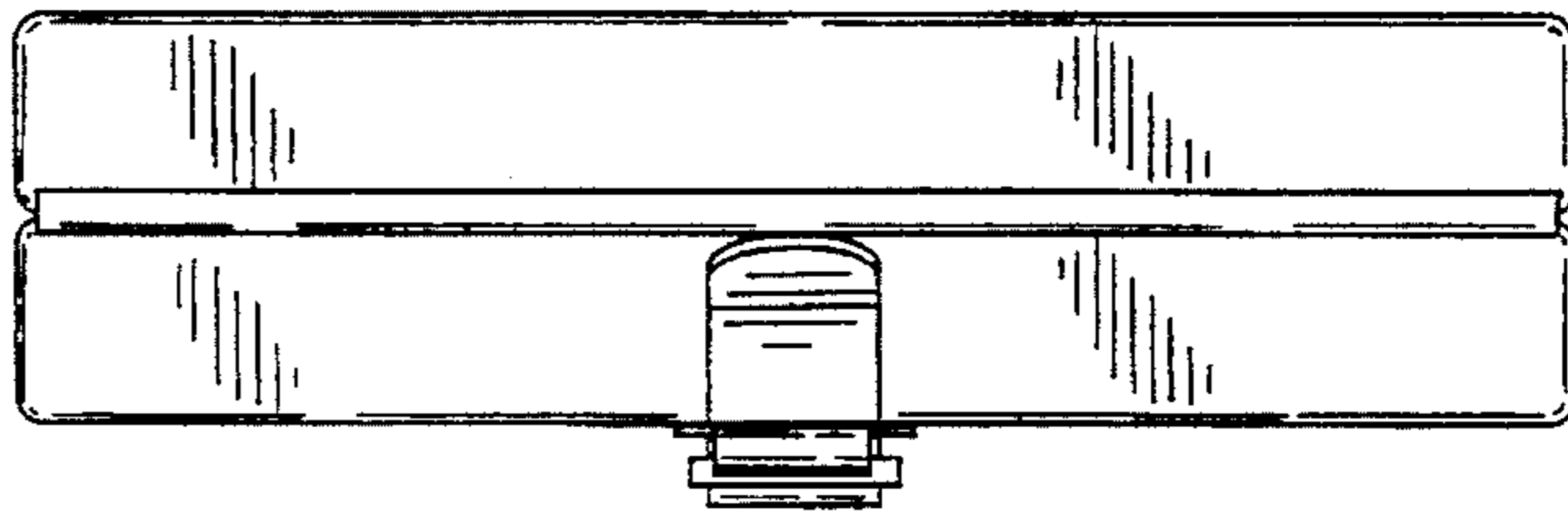


FIG. 4

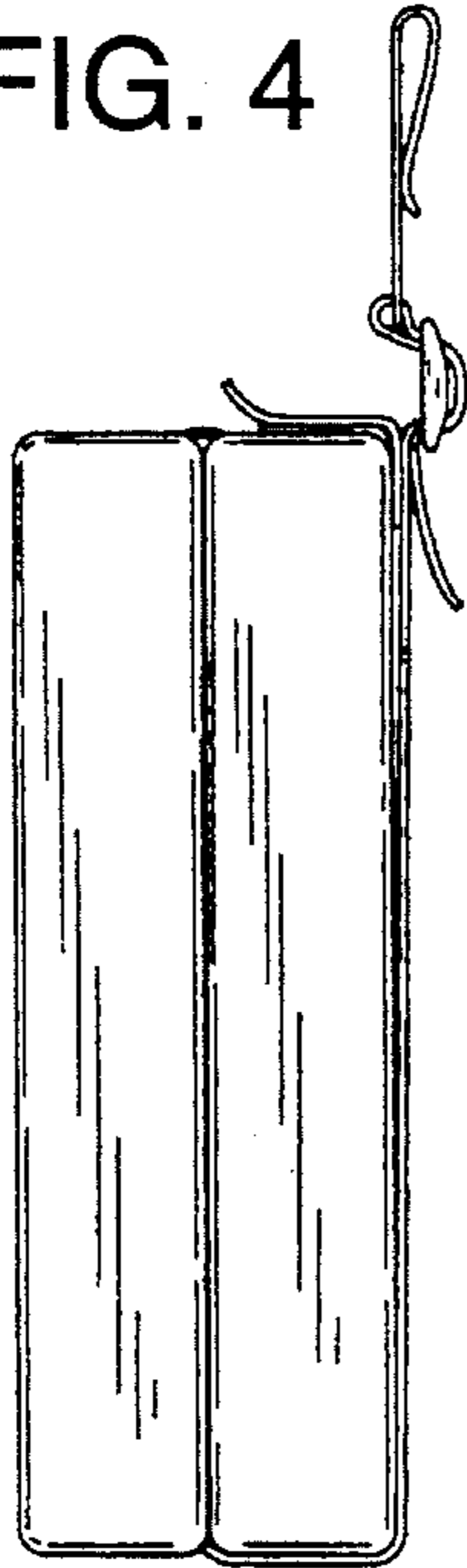


FIG. 5

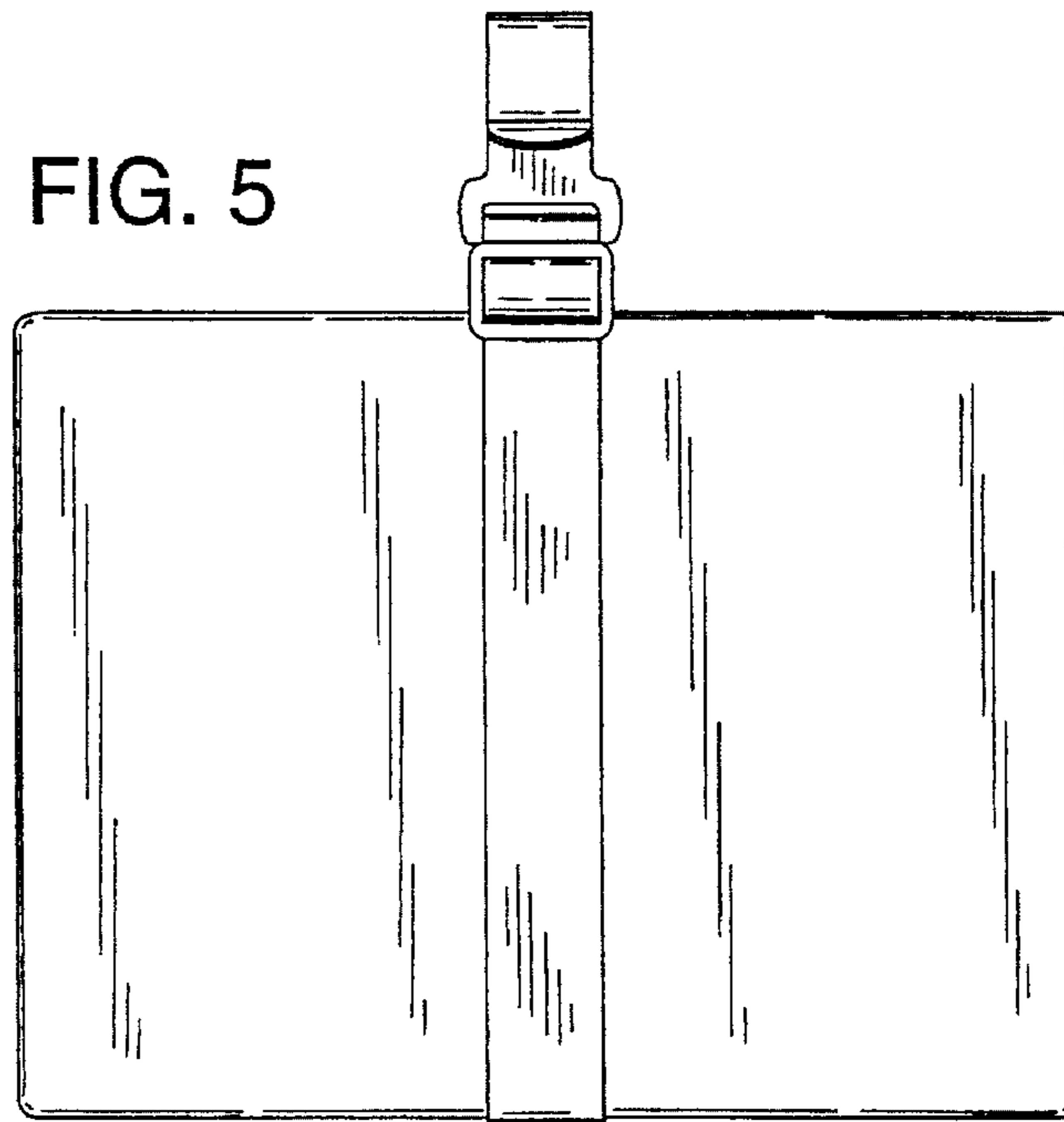


FIG. 6

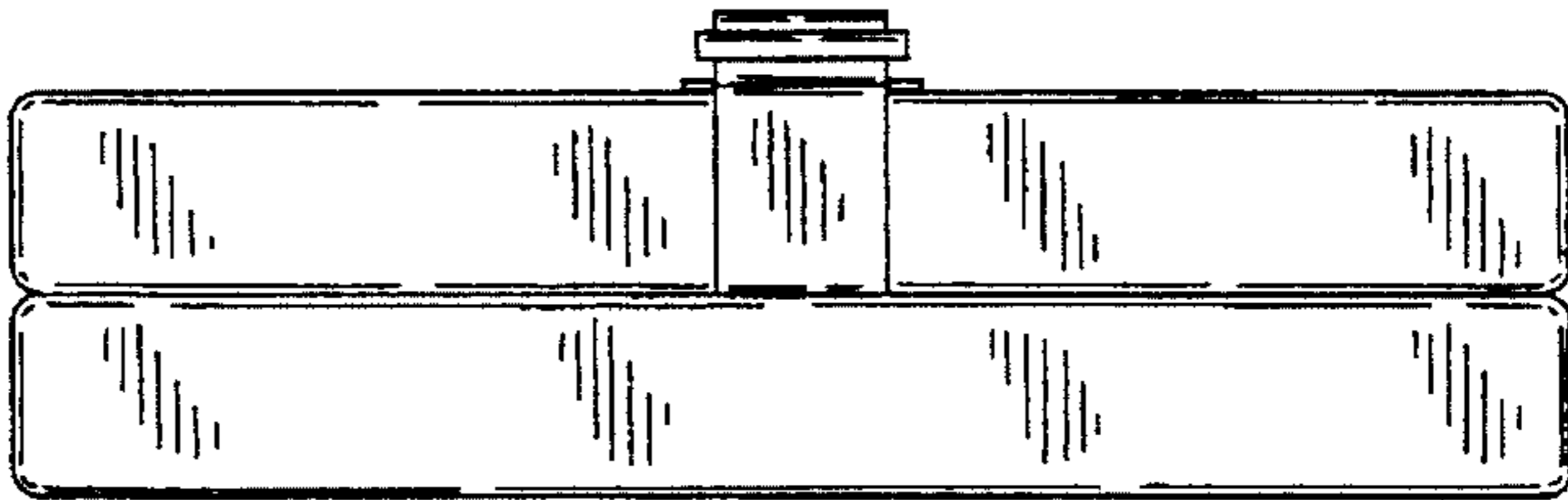


FIG. 7

