



US00D366380S

United States Patent [19]
Kelly

[11] **Patent Number: Des. 366,380**

[45] **Date of Patent: **Jan. 23, 1996**

[54] **MULTIPLE USE ACTIVITY PAD**

D. 308,497 6/1990 Roche D6/511

[75] Inventor: **Ray G. Kelly**, St. Louis County, Mo.

OTHER PUBLICATIONS

[73] Assignee: **Angeles Group, Inc.**, Pacific, Mo.

Item #40, Elongated hexagonal plaque, *American Handicrafts* Cat. #64.

[**] Term: **14 Years**

Primary Examiner—Alan P. Douglas
Assistant Examiner—Robert M. Spear
Attorney, Agent, or Firm—Paul M. Denk

[21] Appl. No.: **24,958**

[22] Filed: **Jun. 24, 1994**

[57] **CLAIM**

Related U.S. Application Data

The ornamental design for the multiple use activity pad, as shown and described.

[62] Division of Ser. No. 651,508, Feb. 6, 1991, Pat. No. Des. 350,237.

DESCRIPTION

[52] **U.S. Cl.** **D6/511**

FIG. 1 is an isometric view of the utility and/or activity table of this invention;

[58] **Field of Search** D6/449-466, 480, D6/511, 553, 382; D7/553

FIG. 2 is a top view thereof;

FIG. 3 is a bottom view thereof;

FIG. 4 is a front view of the invention, the back view being a mirror image thereof;

FIG. 5 is a right side view of the invention, the opposite side view being a mirror image thereof; and,

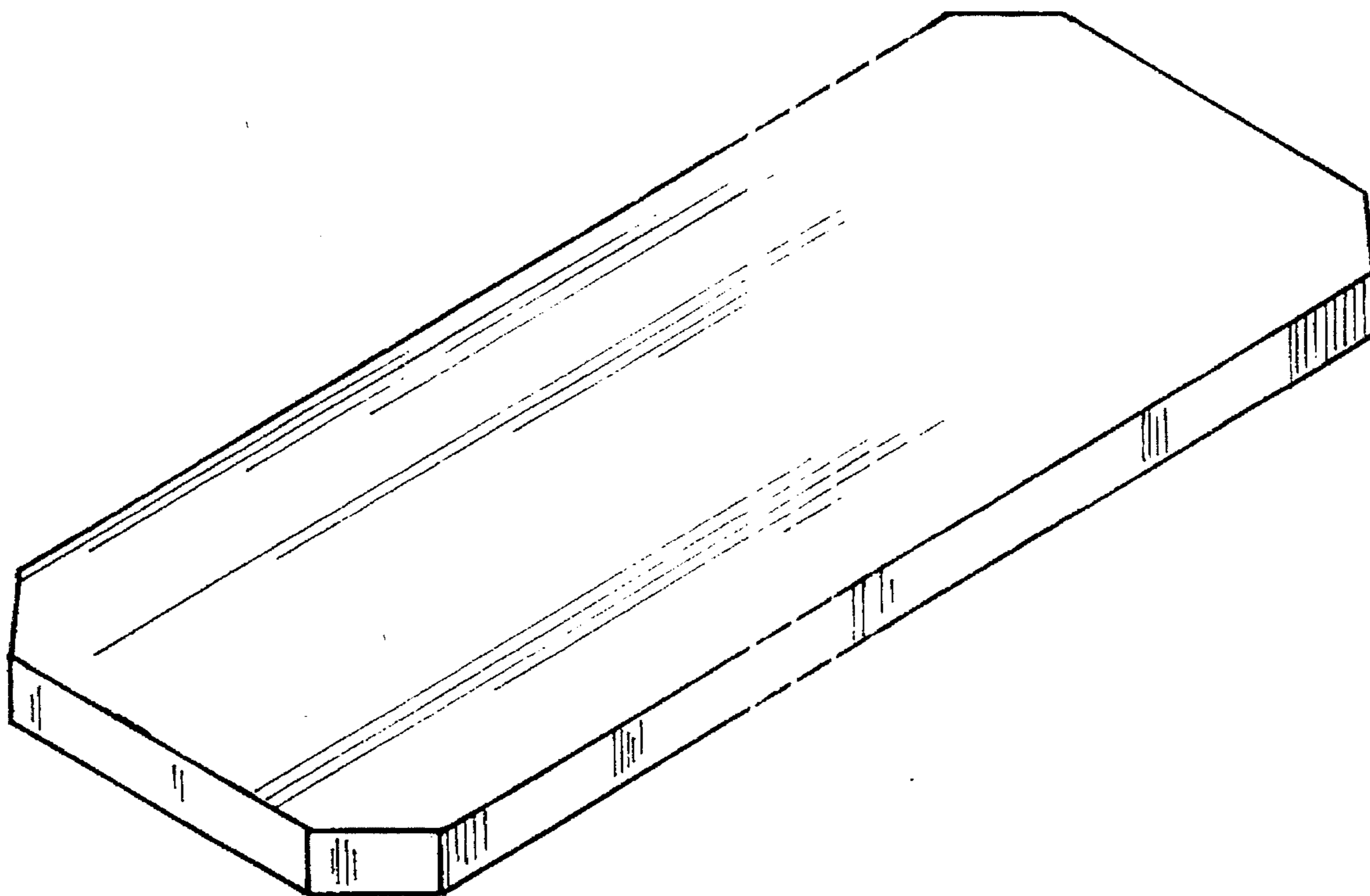
FIG. 6 is a cross-sectional view of the multiple use activity pad taken along the line 6-6 of FIG. 3.

[56] **References Cited**

U.S. PATENT DOCUMENTS

D. 125,267	2/1941	Gardner	D6/511
D. 133,036	7/1942	Harwell	D7/553
D. 201,086	5/1965	Covington	D6/511
D. 273,070	3/1984	Welsch et al.	D6/511
D. 283,657	5/1986	Chaplin et al.	D6/511

1 Claim, 1 Drawing Sheet



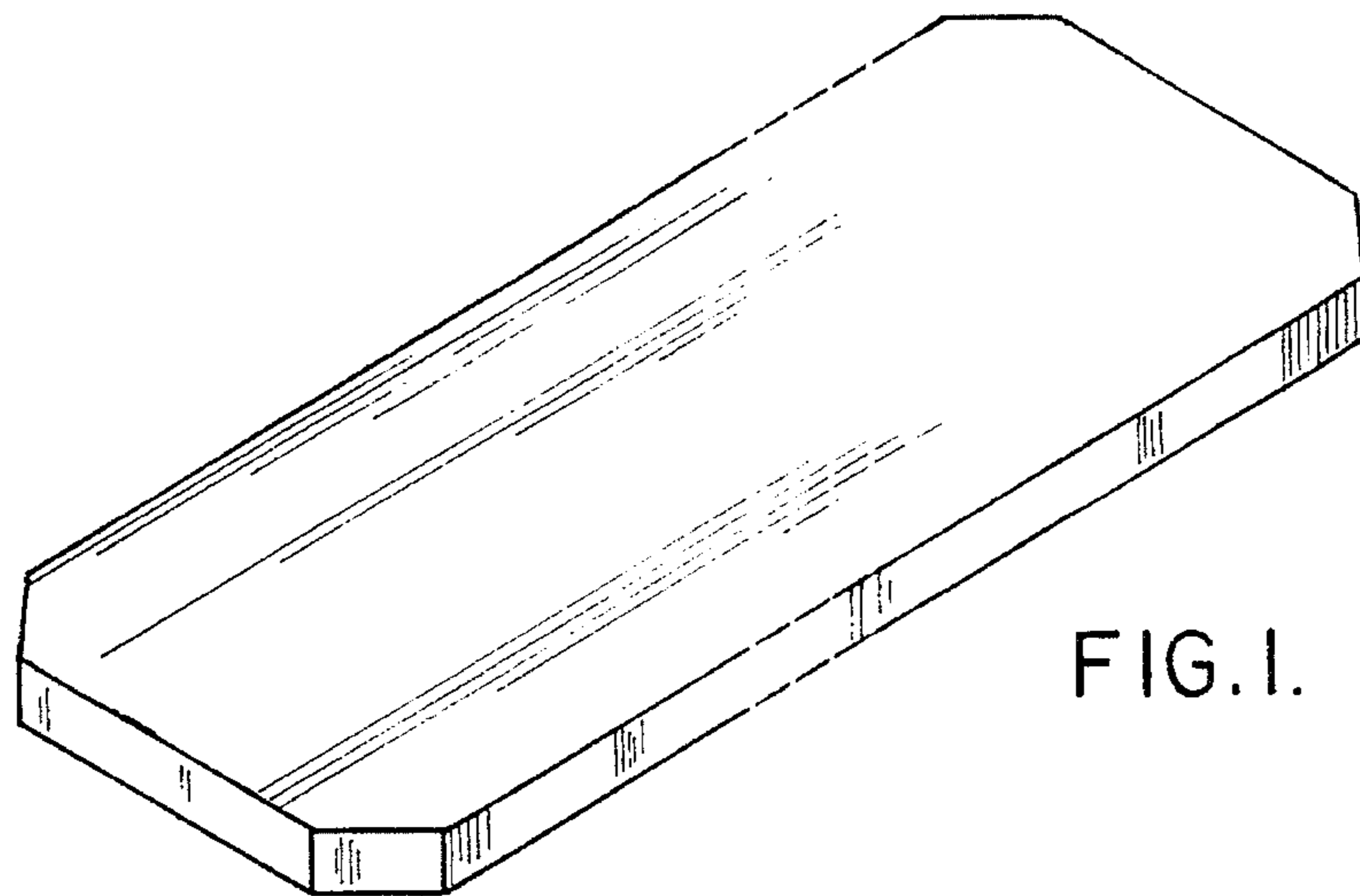


FIG. 1.

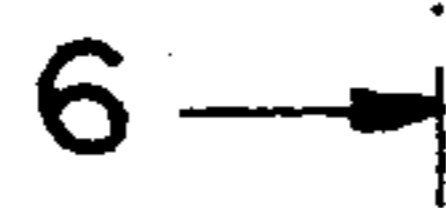
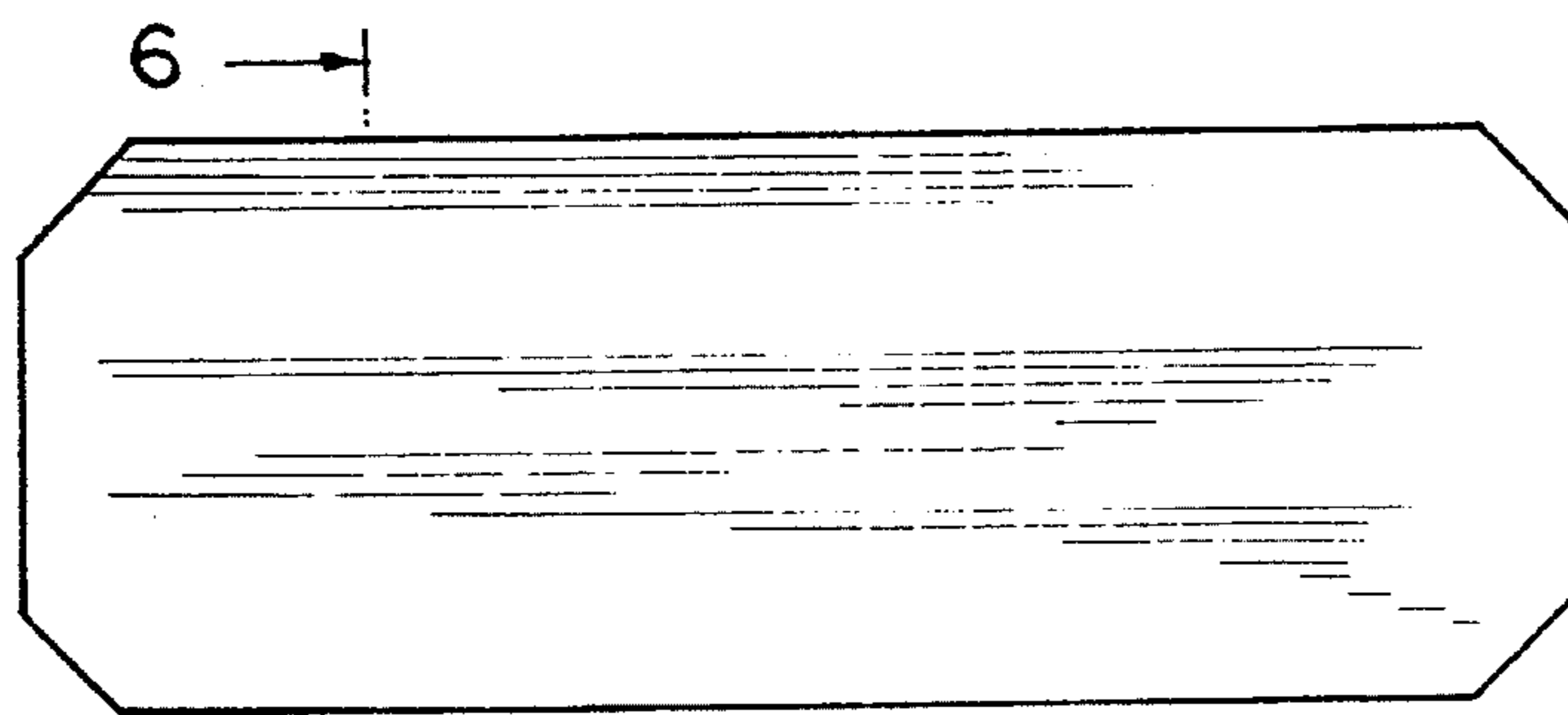


FIG. 2.

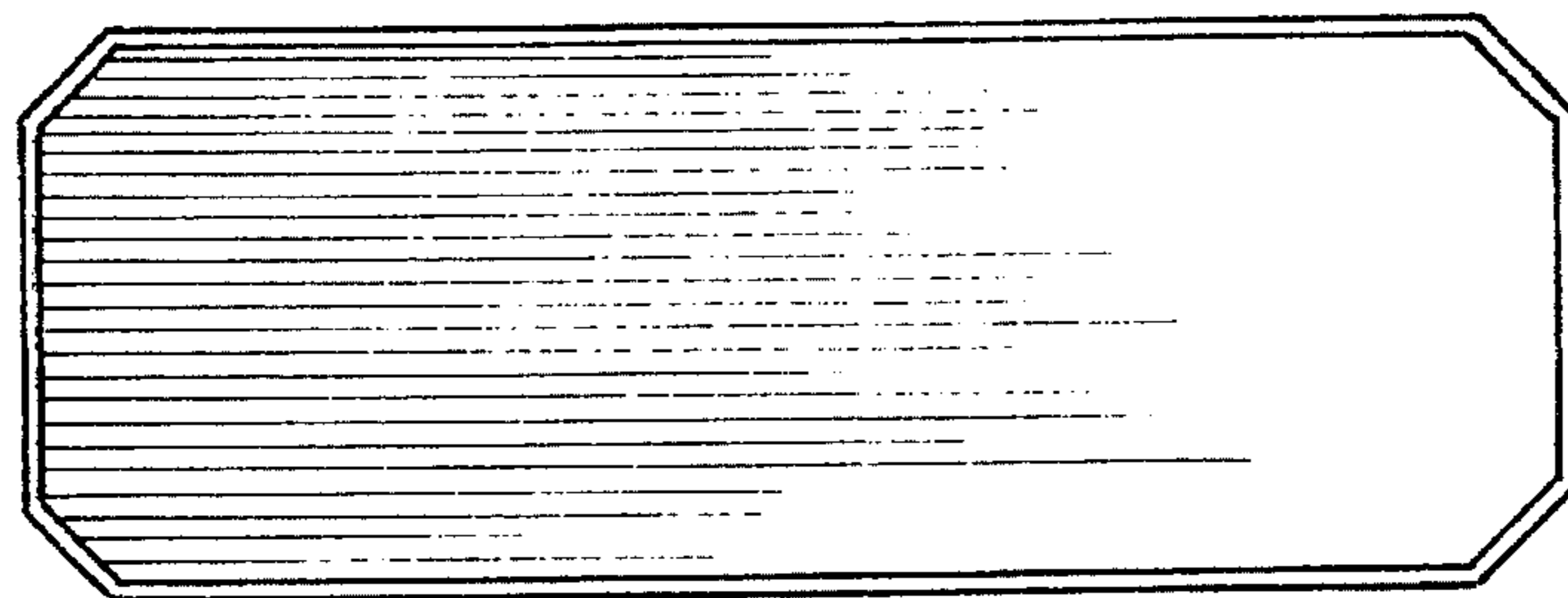


FIG. 3.



FIG. 4.



FIG. 5.



FIG. 6.