



US00D366379S

United States Patent [19]
Graeber

[11] **Patent Number: Des. 366,379**

[45] **Date of Patent: **Jan. 23, 1996**

[54] **WORK STATION UPPER BODY SUPPORT**

[75] Inventor: **Mark Graeber**, Everett, Wash.

[73] Assignee: **Promark, Inc.**, Seattle, Wash.

[**] Term: **14 Years**

[21] Appl. No.: **20,740**

[22] Filed: **Mar. 31, 1994**

[52] U.S. Cl. **D6/511**

[58] **Field of Search** D6/406, 511, 429,
D6/510, 511; D14/114; D12/419, 416, 421,
425, 426; D19/52; 108/43, 44; 248/118.1,
918; 312/208.1, 281

[56] **References Cited**

U.S. PATENT DOCUMENTS

297,219	4/1884	Anthony	108/43
D. 337,907	8/1993	Page	D6/511
2,112,669	3/1938	Halas	108/43
2,818,316	12/1957	D'Andrade	108/44 X
3,011,847	12/1961	Rader	108/44
3,172,636	3/1965	Collier	108/43 X
5,240,210	8/1993	Honto, Jr. et al.	248/118.1
5,346,164	9/1994	Allen	248/118.1 X

FOREIGN PATENT DOCUMENTS

8622 of 1904 United Kingdom 108/43

Primary Examiner—Janice E. Seeger
Attorney, Agent, or Firm—Seed and Berry

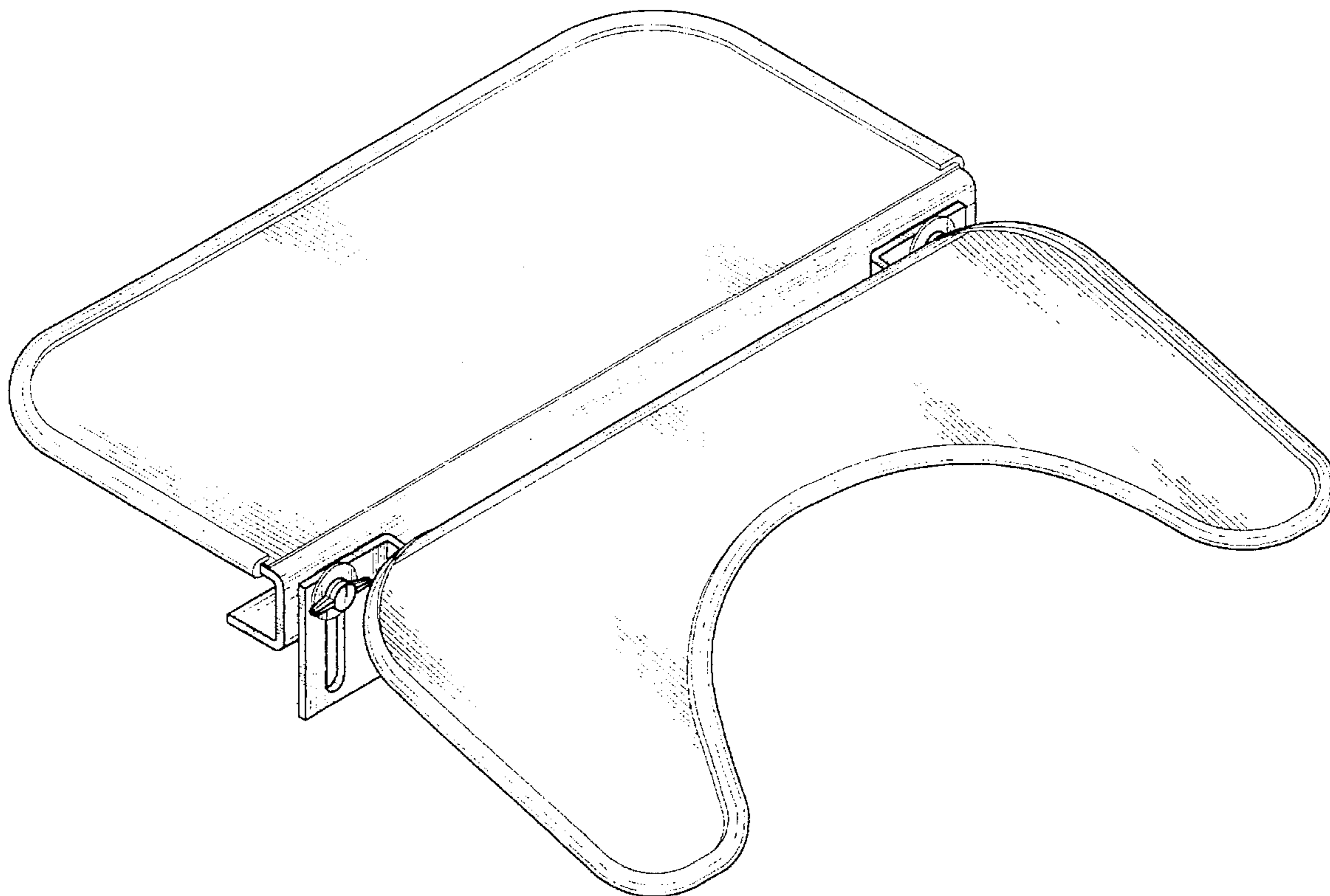
[57] **CLAIM**

The ornamental design for a work station upper body support, as shown and described.

DESCRIPTION

FIG. 1 is a top plan view of the work station upper body support showing my new design;
FIG. 2 is a bottom plan view of the support;
FIG. 3 is a front elevational view of the support;
FIG. 4 is a rear elevational view of the support;
FIG. 5 is a left side elevational view of the support;
FIG. 6 is a right side elevational view of the support;
FIG. 7 is a left side elevational view of the support shown with the left half removed to reveal features of the support not visible in FIGS. 1-6.
FIG. 8 is a top perspective view; and,
FIG. 9 is a bottom perspective view thereof.

1 Claim, 5 Drawing Sheets



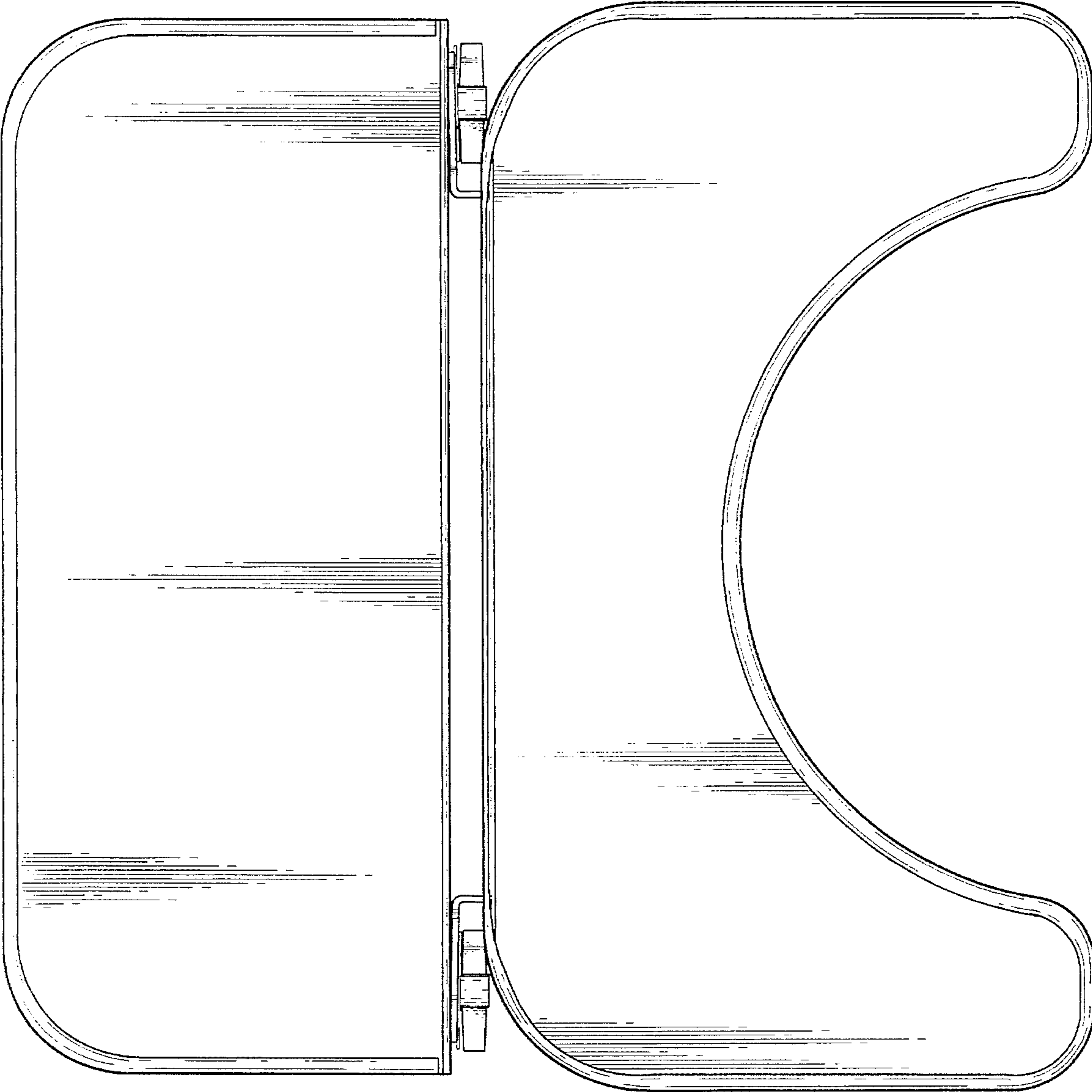


Figure 1

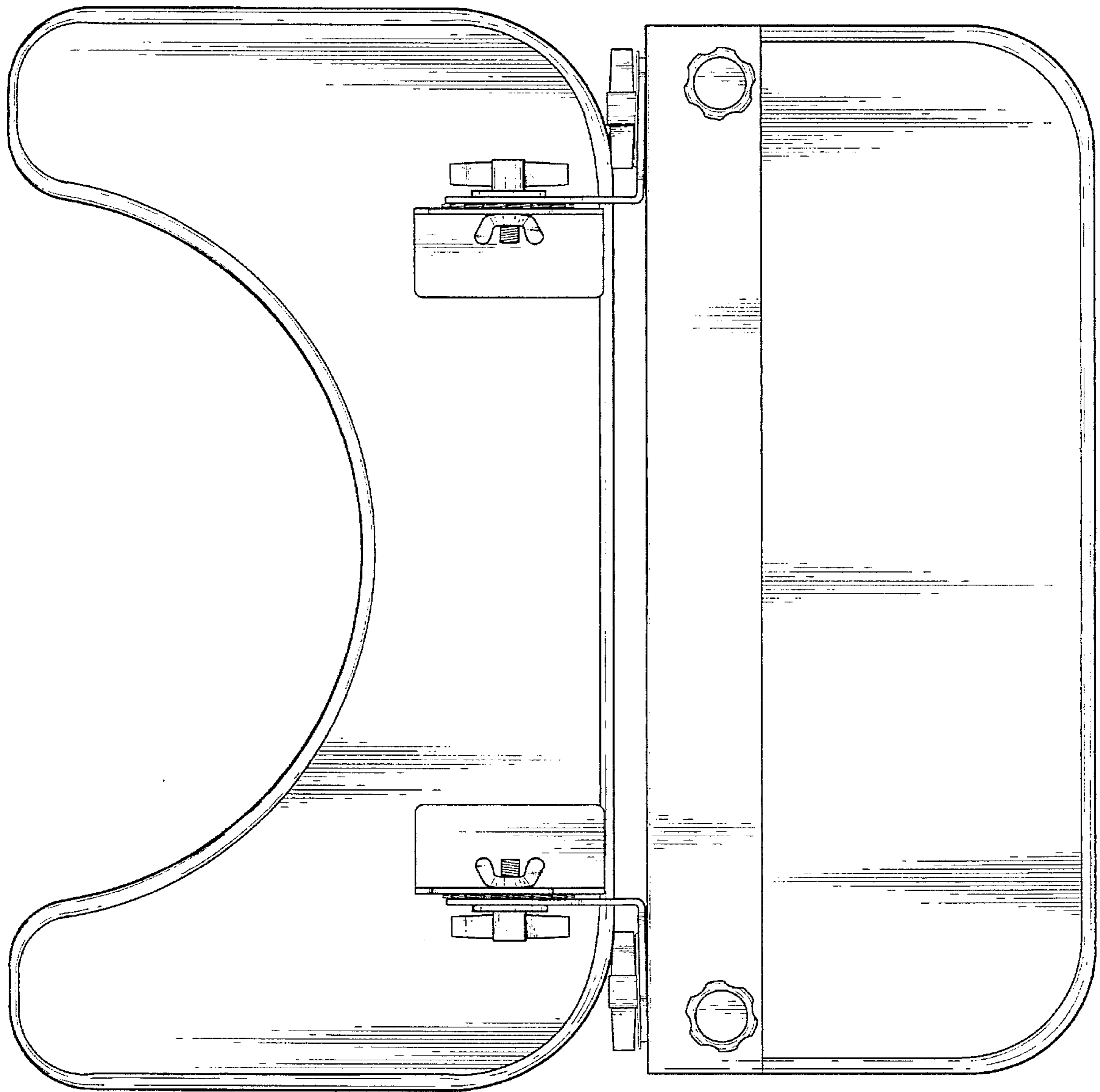


Figure 2

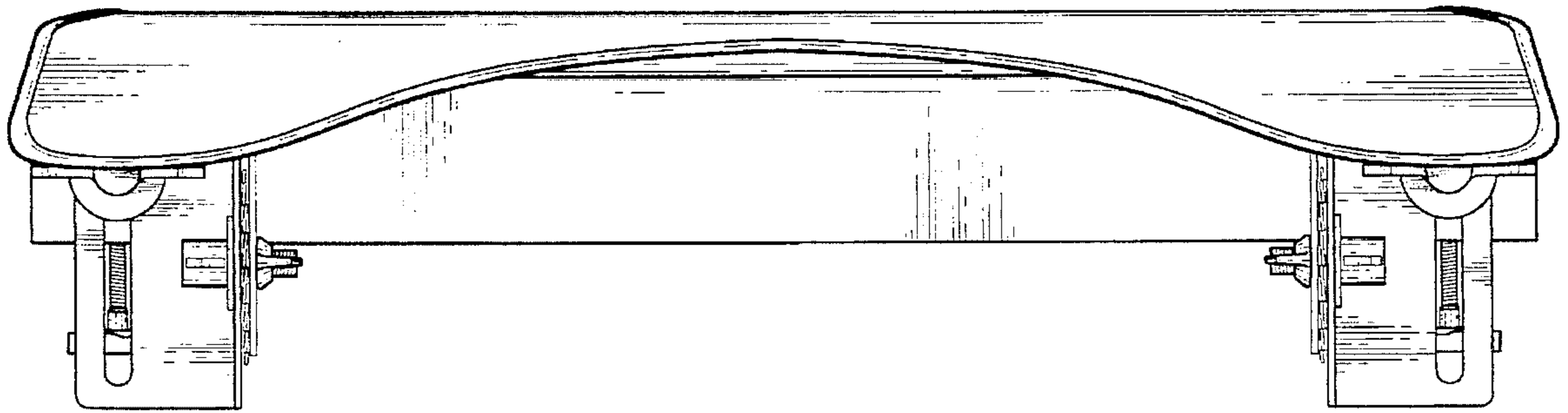


Figure 3

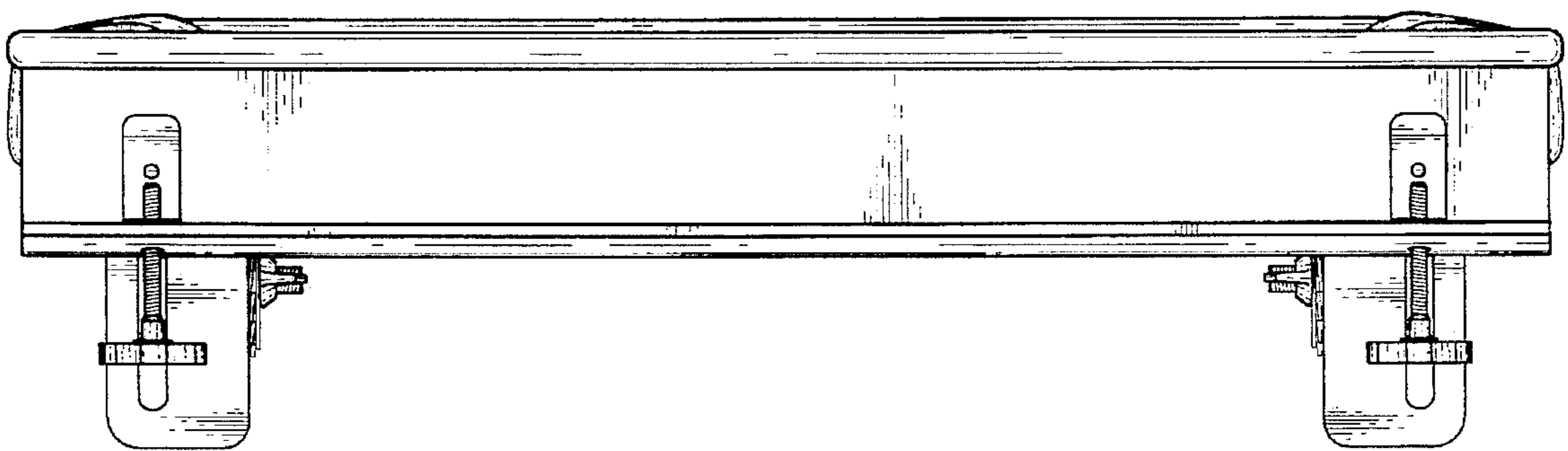


Figure 4

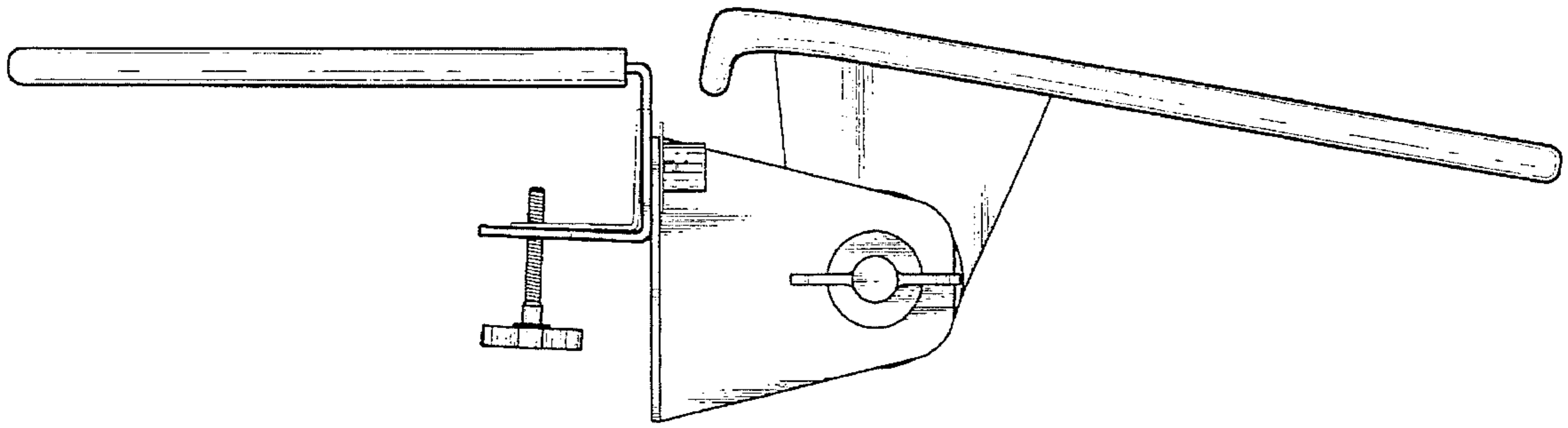


Figure 5

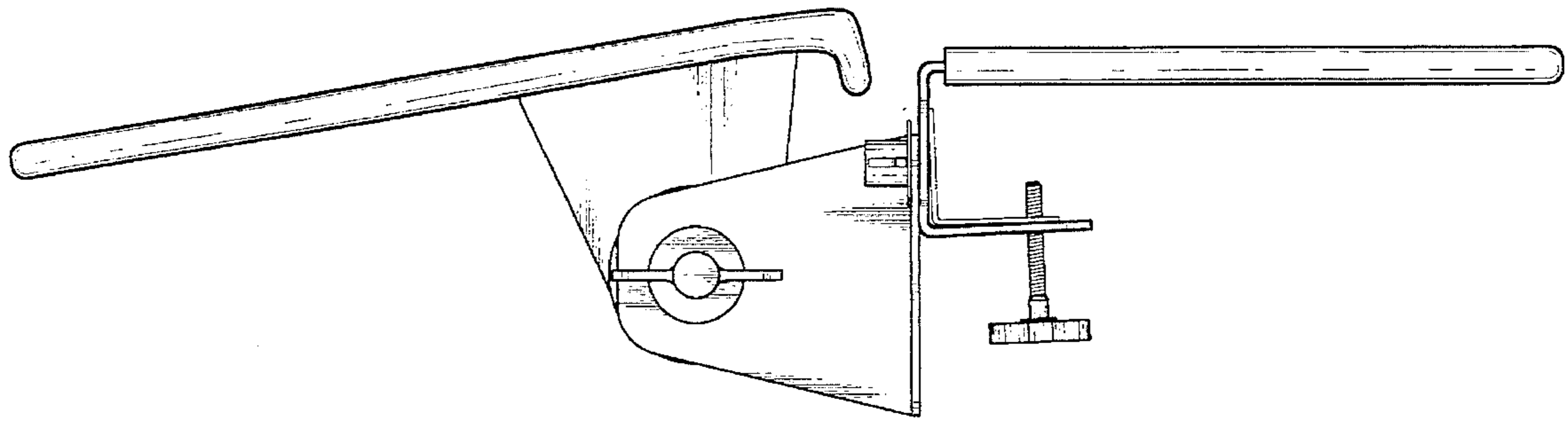


Figure 6

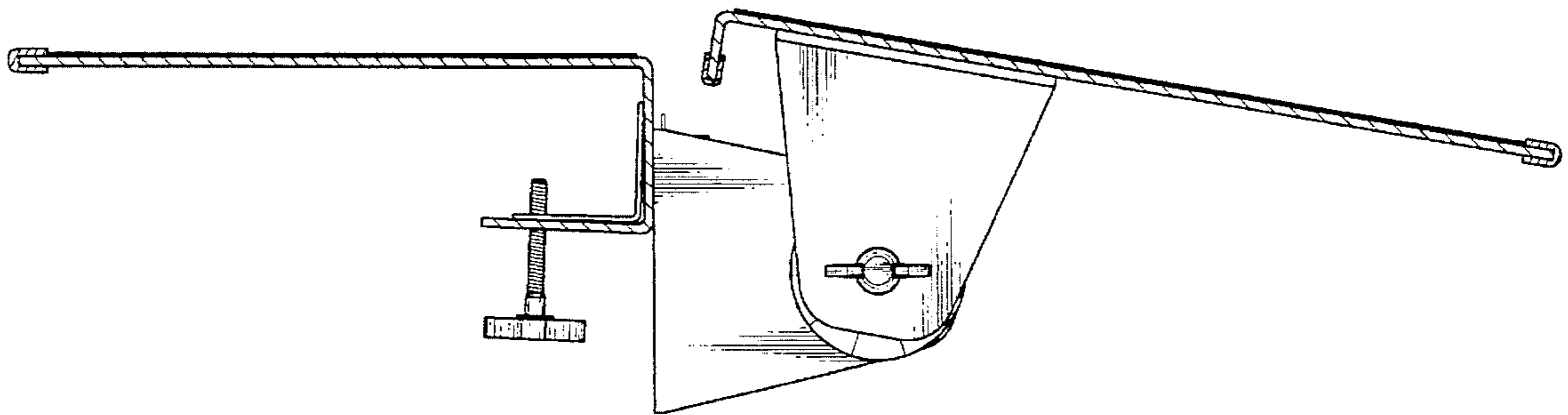


Figure 7

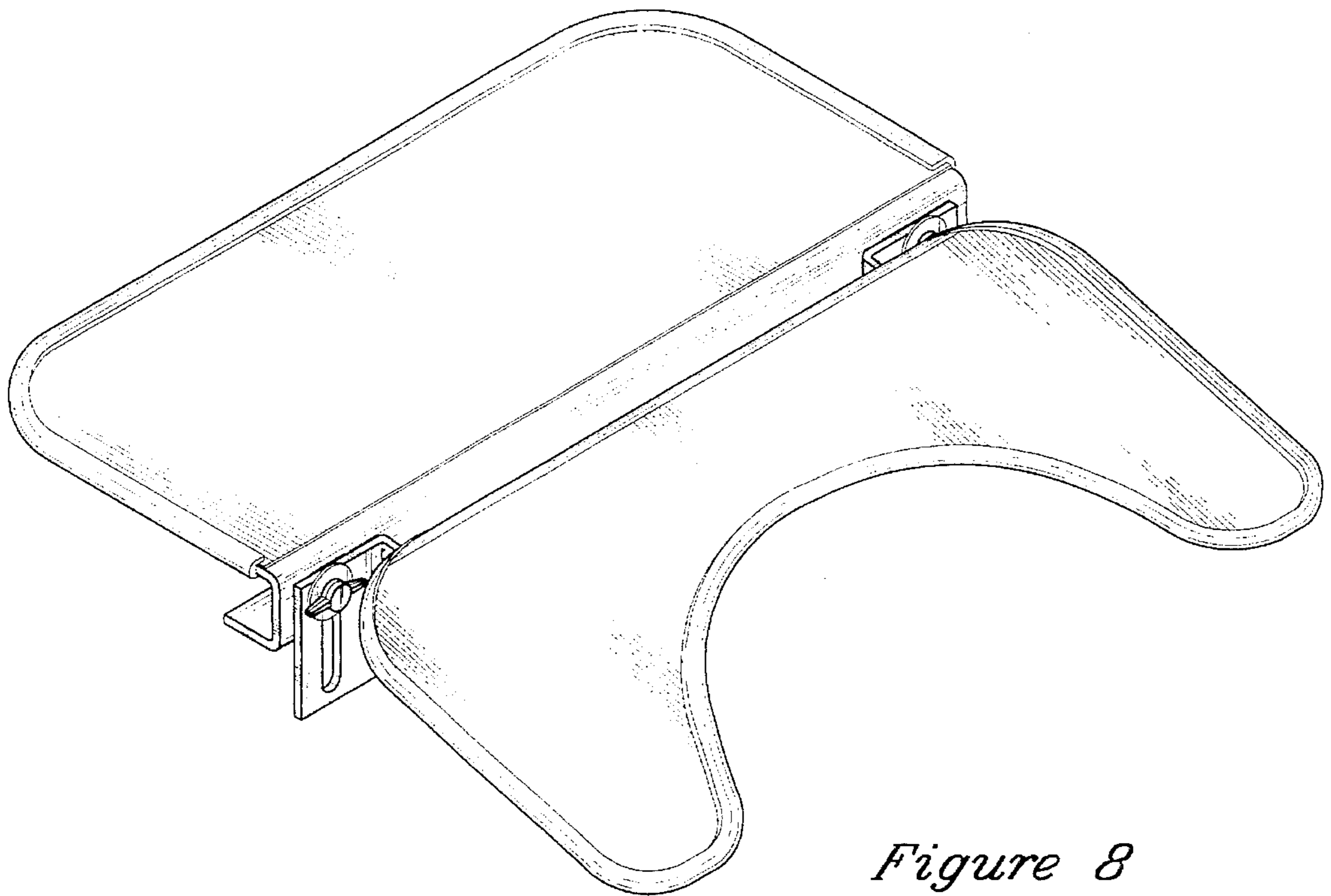


Figure 8

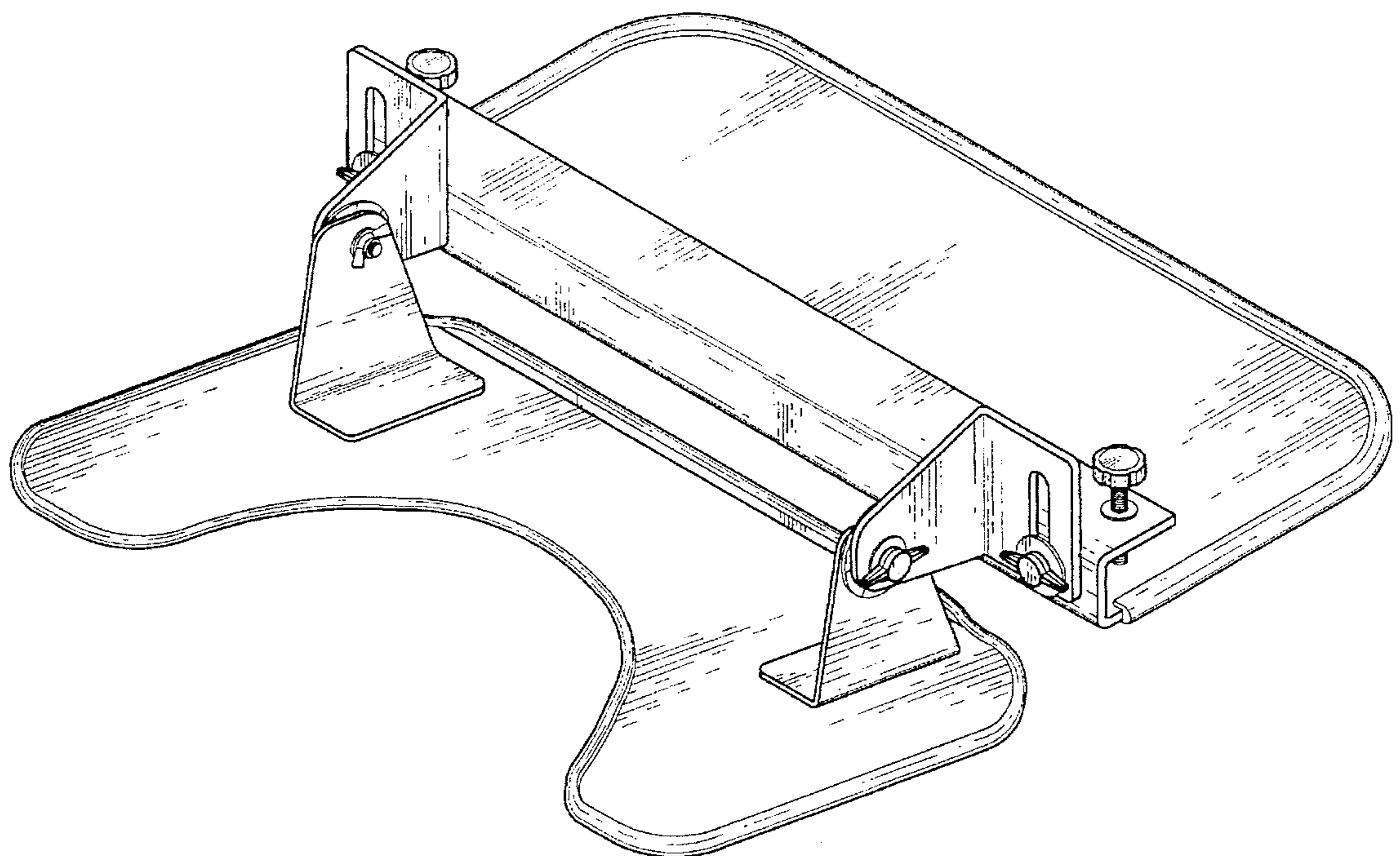


Figure 9