



US00D366378S

United States Patent [19]

[11] Patent Number: **Des. 366,378**

Bargagli-Stoffi

[45] Date of Patent: ****Jan. 23, 1996**

[54] **BED HEADBOARD**

[75] Inventor: **Carlo Bargagli-Stoffi**, Union, N.J.

[73] Assignee: **San Giacomo N.A. Ltd.**, Union, N.J.

[**] Term: **14 Years**

[21] Appl. No.: **29,604**

[22] Filed: **Oct. 11, 1994**

[52] U.S. Cl. **D6/505; D6/384**

[58] Field of Search D6/421, 329, 332,
D6/511, 383, 384, 391; 5/2.1, 3, 53.1, 279.1

[56] **References Cited**

U.S. PATENT DOCUMENTS

D. 110,891	8/1938	Davis	D6/384
D. 159,608	8/1950	Godschalk	D6/391
D. 288,882	3/1987	Yasimoto	6/505
D. 328,207	7/1992	White	6/505
D. 328,680	8/1992	Zapf	D6/511
1,448,788	3/1923	Campbell	5/2.1
5,097,969	3/1992	Maxworthy	6/511

OTHER PUBLICATIONS

Thomasville, The Founders Collection, Jun. 1986, headboard at bottom of page.

Progressive Furniture, ©1993, headboard.

Sales Brochure—Entitled “Millennium” a Division of Ashley Furniture Industries, Inc.—dated 1992.

Levitz advertisement—The Sunday Ledger, Union, N.J. “Levitz President’s Sale”, Feb. 19, 1995.

B72-69 King Profile headboard—Ashley Furniture Ind. Brochure “Millennium,” Argenta B-72 Series.

Primary Examiner—Janice E. Seeger

Attorney, Agent, or Firm—Rhodes, Coats & Bennett

[57] **CLAIM**

The ornamental design for bed headboard, as shown and described.

DESCRIPTION

FIG. 1 is a front perspective view of a bed headboard showing my new design. The bottom and rear of all of the elements are plain and unadorned. The left sides of the nightstand elements are as shown on the left nightstand, with the right sides being mirror images of the left side. The front outline of the right nightstand is identical to the front outline of the left nightstand;

FIG. 2 is a second front perspective view of the headboard with the nightstand elements removed. The rear of this portion of the headboard is plain and unadorned;

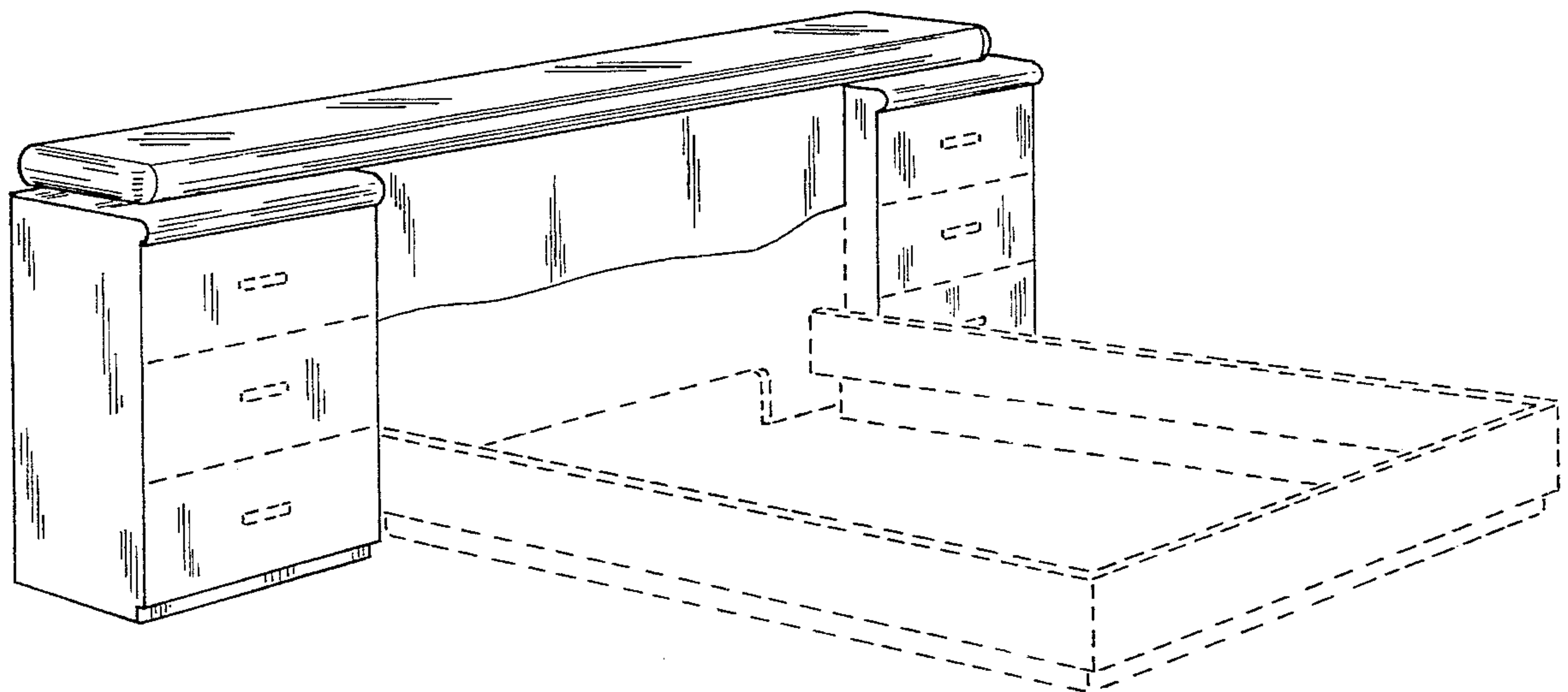
FIG. 3 is a side elevational view of the headboard with the nightstand elements removed, the opposite elevational view being a mirror image thereof;

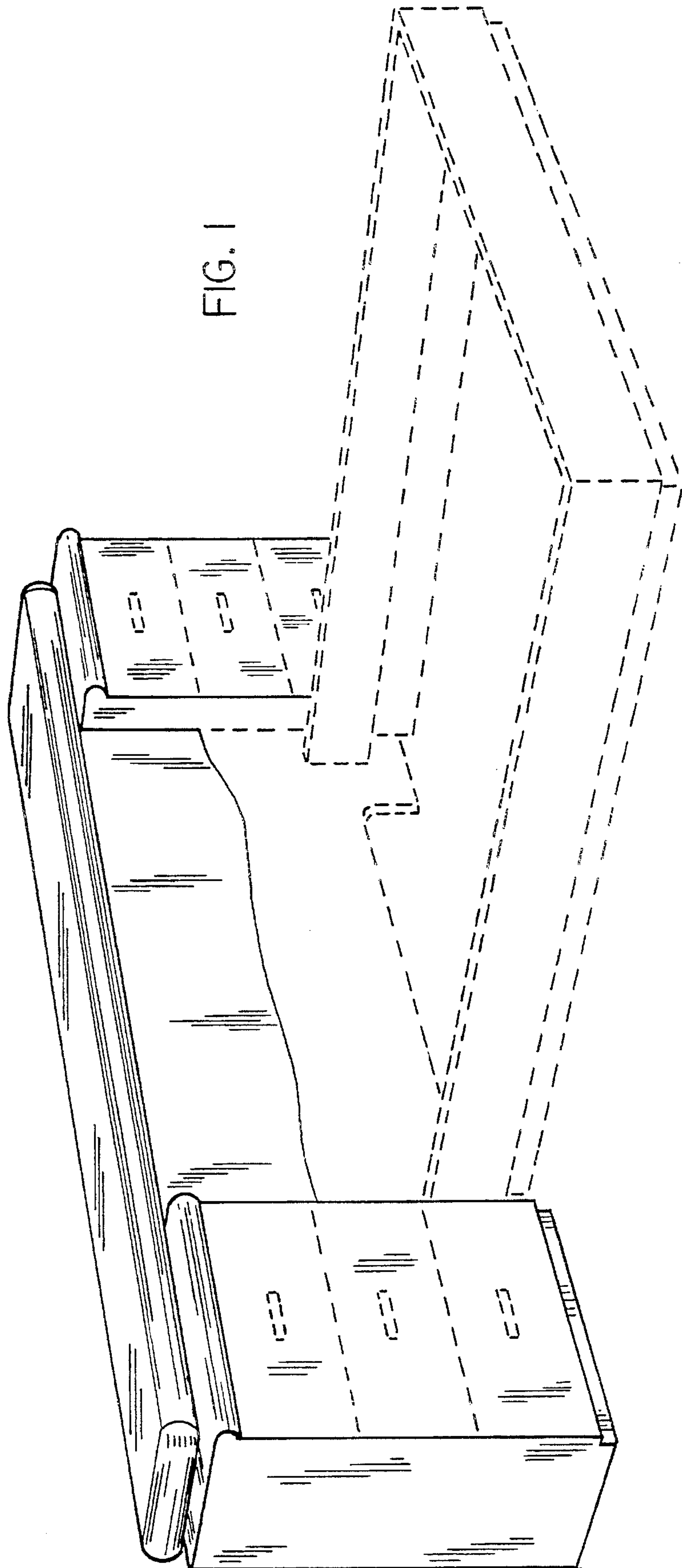
FIG. 4 is a front elevational view of the top element of the headboard; and,

FIG. 5 is a top view of the top element of the headboard, the rear and bottom views being plain and unadorned.

The broken lines shown in each of the FIGS. 1, 2, and 3 represent environmental structures only and are not part of the claimed invention.

1 Claim, 2 Drawing Sheets





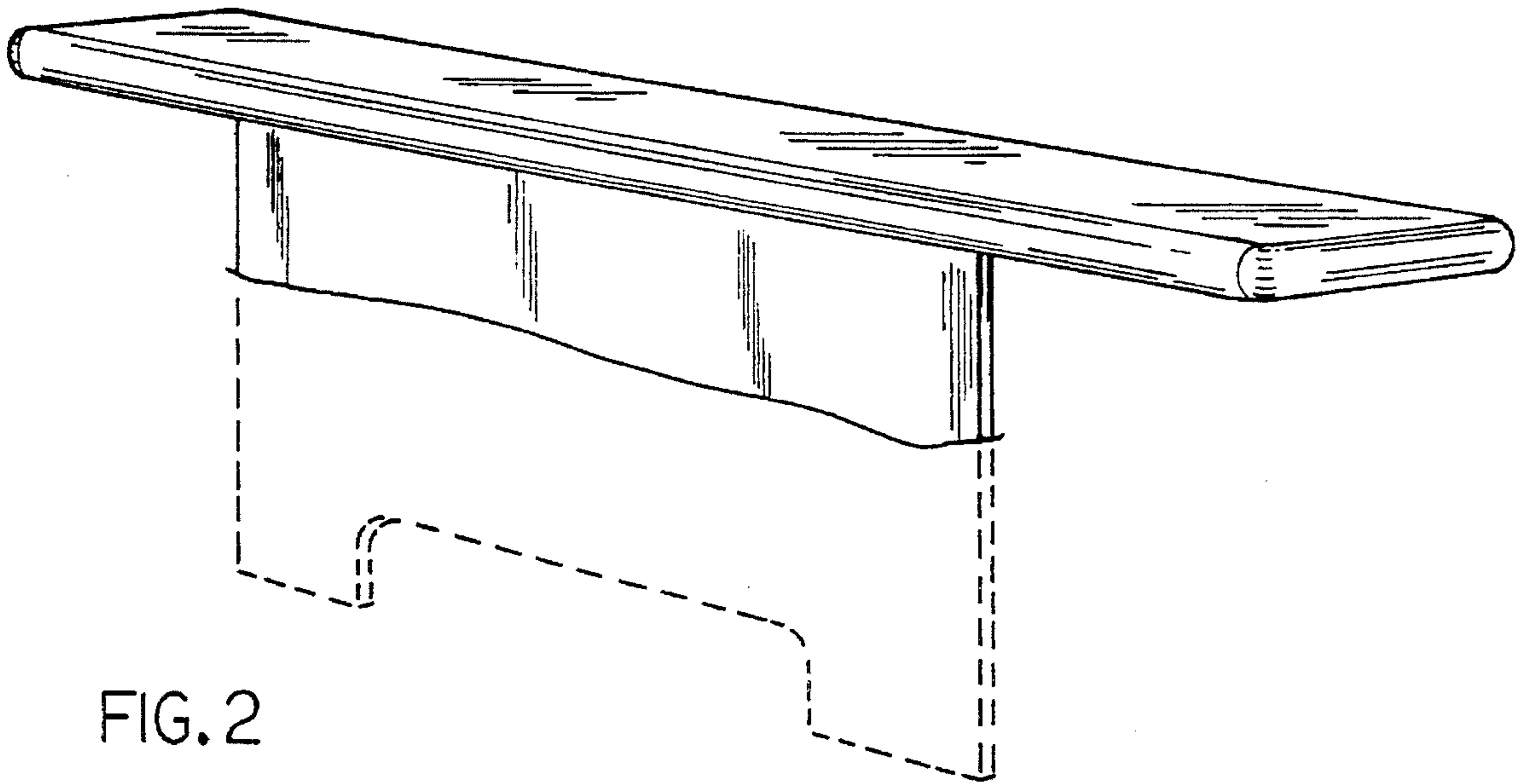


FIG. 2

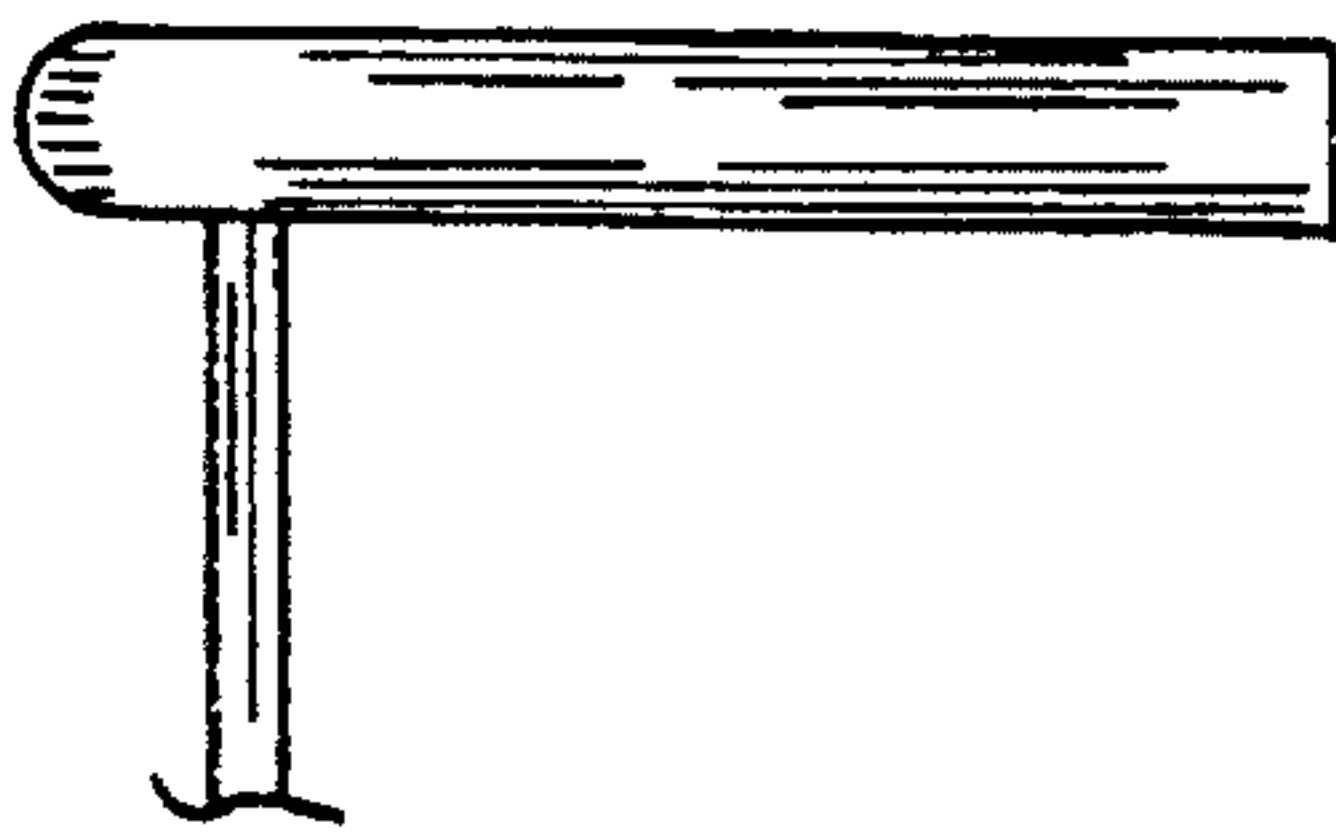


FIG. 3

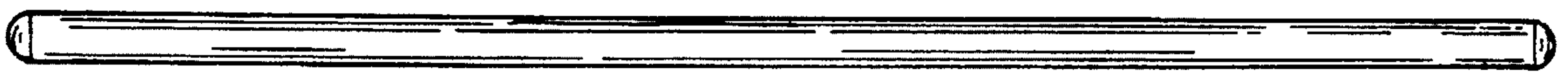


FIG. 4

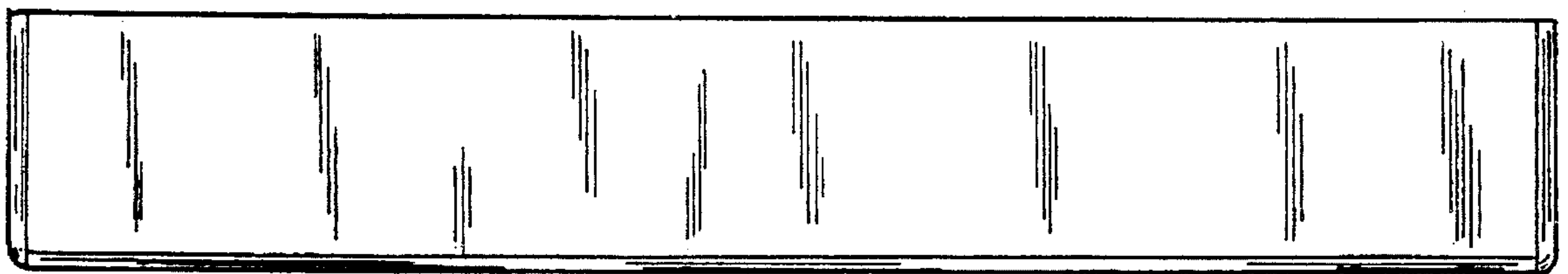


FIG. 5



US008366378B1

REEXAMINATION CERTIFICATE (3145th)

United States Patent [19]

[11] **B1 Des. 366,378**

Bargagli-Stoffi

[45] **Certificate Issued Mar. 4, 1997**

[54] **BED HEADBOARD**

[75] Inventor: **Carlo Bargagli-Stoffi**, Union, N.J.

[73] Assignee: **Sangiaco N.A. Ltd.**, Union, N.J.

Reexamination Request:

No. 90/004,297, Jul. 3, 1996

Reexamination Certificate for:

Patent No.: **Des. 8,366,378**

Issued: **Jan. 23, 1996**

Appl. No.: **29,604**

Filed: **Oct. 11, 1994**

[**] Term: **14 Years**

[52] **U.S. Cl.** **D6/505; D6/384**

[58] **Field of Search** **D6/505, 421, 329, D6/332, 511, 384, 383, 391, 397; 5/2.1, 3, 53.1, 279.1, 280**

[56] **References Cited**

PUBLICATIONS

Modernage advertisement with picture of bed headboard, undated, no page number, admitted prior art.

Millennium Topaz B75 Series.

Millennium Camellia B74 Series.

Millennium Manhattan B49 Series.

Millennium Parts B48 Series.

Millennium Excalibur B43 Series.

Millennium Destiny B40 Series.

Millennium Kismet B39 Series.

Sales Brochure—"Marbellia"—Ashley Furniture Industries, B46 series—date unknown, admitted prior art.

Sales Brochure—"Christine—B17 Series"—Ashley Furniture Industries/Oct. 1992.

Sales Brochure—"Marbellia"—Ashley Furniture Industries—B42 Procelane series/Dec., 1989.

Catalog entitled "Furniture World"—Renel Furniture's Bull Nose bed system/Apr., 1990.

Market Resource Guide—Autumn Furniture, Inc., Omni Bedroom Group/Fall, 1987.

Brochure entitled "Is it real marble? Or is it Marbellia?"—Ashley Furniture Industries—date unknown, admitted prior art.

Catalog entitled "Furniture Preview"—Dillon Furniture Co., D947 IHFC/Spring, 1991.

Sales Brochure—"Vista—B15" Series, Ashley Furniture Industries/Dec., 1992.

Sales Brochure—"Marbellia"—Ashley Furniture Industries—B41 Gabon Series/Dec. 1989.

Sales Brochure—"Tiffany"—Pilliod Cabinet Company, A Ladd Furniture, Inc. company/1985.

Sales Brochure—"Lexus"—Pilliod Cabinet Company, A Ladd Furniture, Inc. company/1992 (518-80 headboard).

Sales Brochure—"Ohio Bedroom"—Pilliod Cabinet Co., A Ladd Furniture, Inc. company/1990.

Official Buyers Guide Fall Market, pp. 66/Oct. 1982.

Official Buyers Guide Fall Market, p. 240—Reuben's Furniture, Inc./Oct., 1986.

Market Resource Guide—Design Systems, p. 221 Spring, 1990.

Catalog entitled "Furniture Preview"—Gruppo M.A.B.spa Gi-Erre S.A.S., p. 307/Fall, 1991.

Catalog entitled "Furniture Preview"—p. 262/Fall, 1991.

Catalog entitled "Furniture Preview"—A.L.F. Uno S.P.A. p. 303/Fall, 1990.

Catalog entitled "Southern Market Preview & Shopping Planner"—p. 104/Apr., 1977.

Market Resource Guide—Giovanni Turano International Designs, Inc., p. 155/Fall, 1987.

Official Buyers Guide Spring Market, Gervais, Inc. p. 105/Apr., 1985.

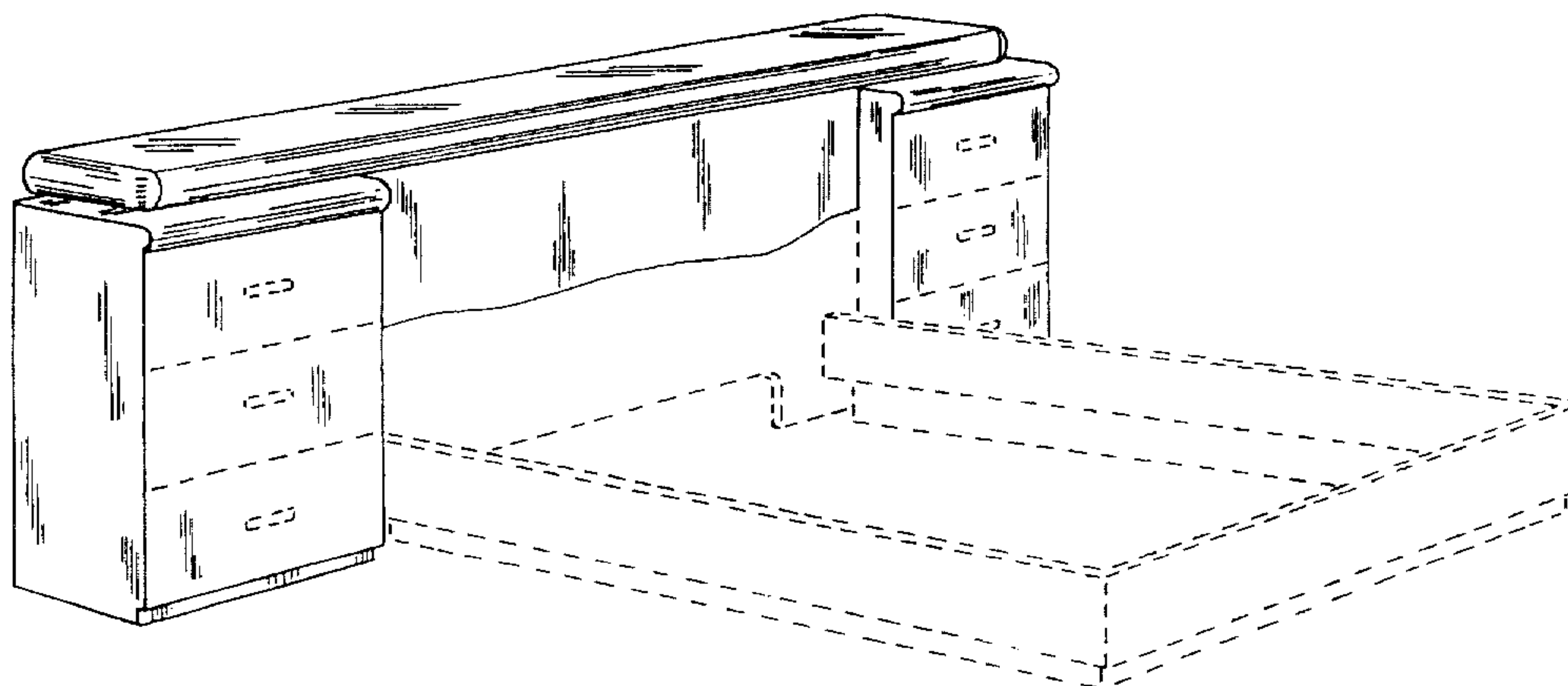
Market Resource Guide—Phase II Furniture, Inc., p. 172/Spring, 1990.

Market Resource Guide—Custom Style Furniture, Inc./Fall, 1991.

Sales Brochure—"Lexus"—Pilliod Cabinet Co., A Ladd Furniture, Inc. company/1992 (B518-83 headboard).

Progressive Furniture, "Roman II Collection", 1993.

Primary Examiner—Janice E. Seeger



1

**REEXAMINATION CERTIFICATE
ISSUED UNDER 35 U.S.C. 307**

NO AMENDMENTS HAVE BEEN
MADE TO THE PATENT

2

AS A RESULT OF REEXAMINATION, IT HAS BEEN
DETERMINED THAT:

5

The patentability of the one claim is confirmed.