



US00D366377S

United States Patent [19]

[11] Patent Number: **Des. 366,377**

Perl

[45] Date of Patent: ****Jan. 23, 1996**

[54] BASE FOR AN OFFICE CHAIR

FOREIGN PATENT DOCUMENTS

[75] Inventor: **Ludovic A. Perl**, Willowdale, Canada

0357578 3/1990 United Kingdom 248/188.7

[73] Assignee: **Shepherd Products Inc.**, Ontario, Canada

OTHER PUBLICATIONS

Endura Chair Bases Catalog—Aug. 1988.

[**] Term: **14 Years**

Primary Examiner—Janice E. Seeger
Attorney, Agent, or Firm—Lee, Mann, Smith, McWilliams, Sweeney & Ohlson

[21] Appl. No.: **20,129**

[57] CLAIM

[22] Filed: **Mar. 17, 1994**

The ornamental design for a base for an office chair, as shown and described.

[52] U.S. Cl. **D6/498**

[58] Field of Search D6/495–499, 487, D6/366; 248/188.1, 188.7, 188.8, 188.9

DESCRIPTION

[56] References Cited

FIG. 1 is a perspective view of a base for an office chair incorporating the design of the present invention; FIG. 2 is a top plan view of the base for an office chair; FIG. 3 is a bottom plan view of the base for an office chair; and, FIG. 4 is a side elevational view of the base for an office chair.

U.S. PATENT DOCUMENTS

D. 273,925	5/1984	Caruso	D6/498
D. 276,864	12/1984	Ponzellini	D6/498
D. 296,960	8/1988	Fenske	D6/366
D. 304,399	11/1989	Caruso et al.	D6/498
D. 312,011	11/1990	Caruso et al.	D6/498
D. 321,299	11/1991	Caruso et al.	D6/498
5,149,035	9/1992	Bonnema et al.	248/188.7

1 Claim, 2 Drawing Sheets

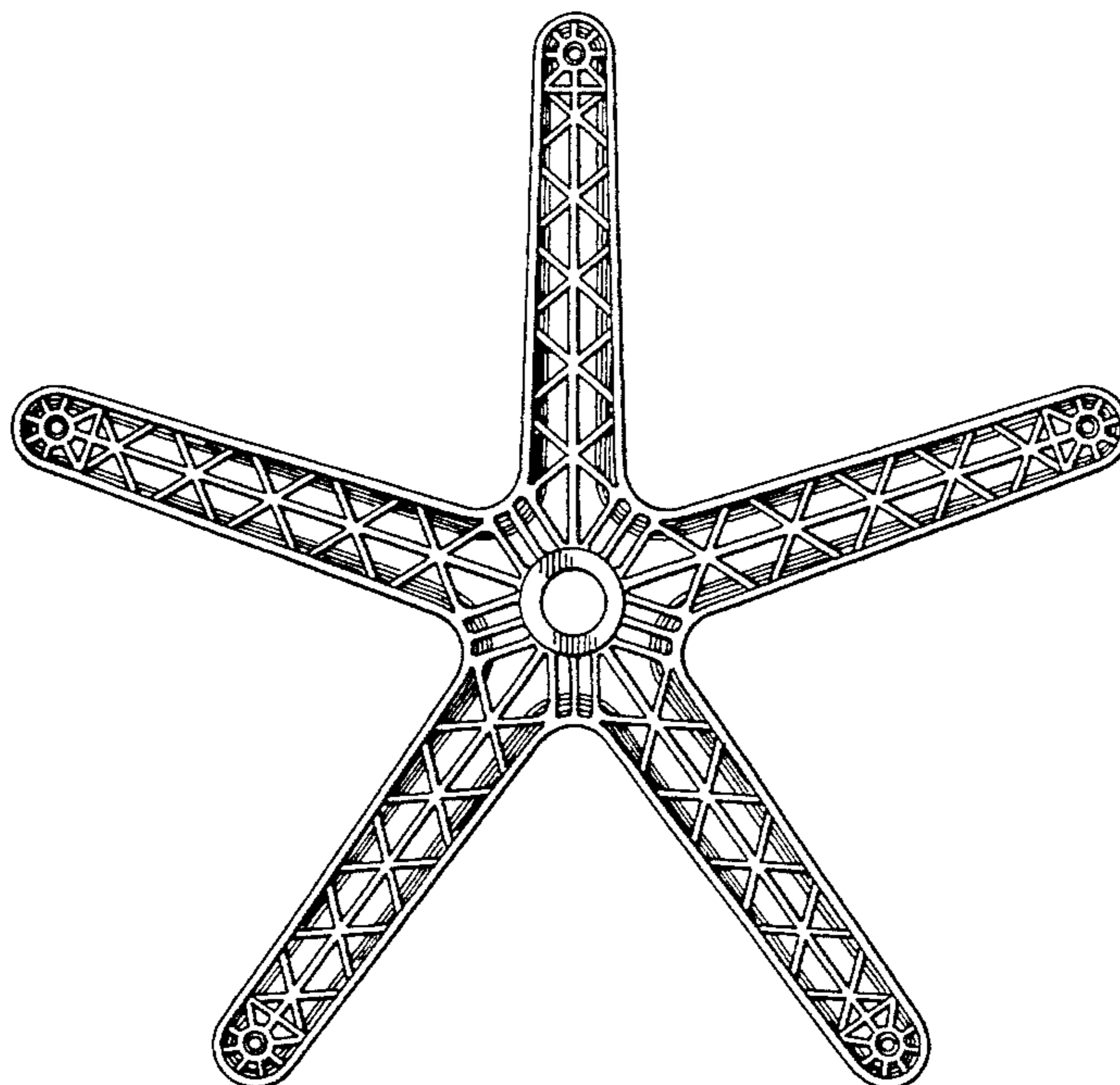
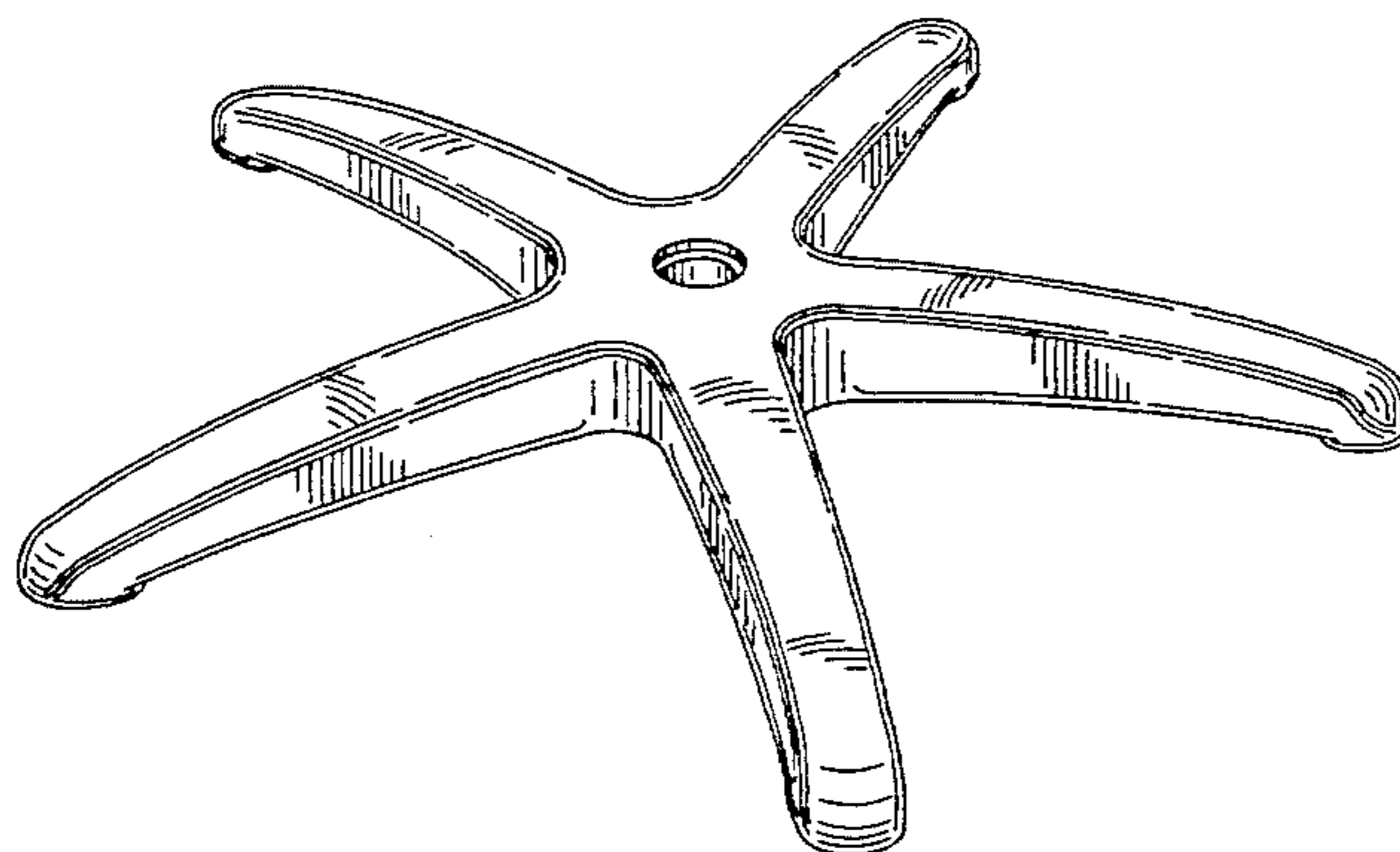


FIG.1

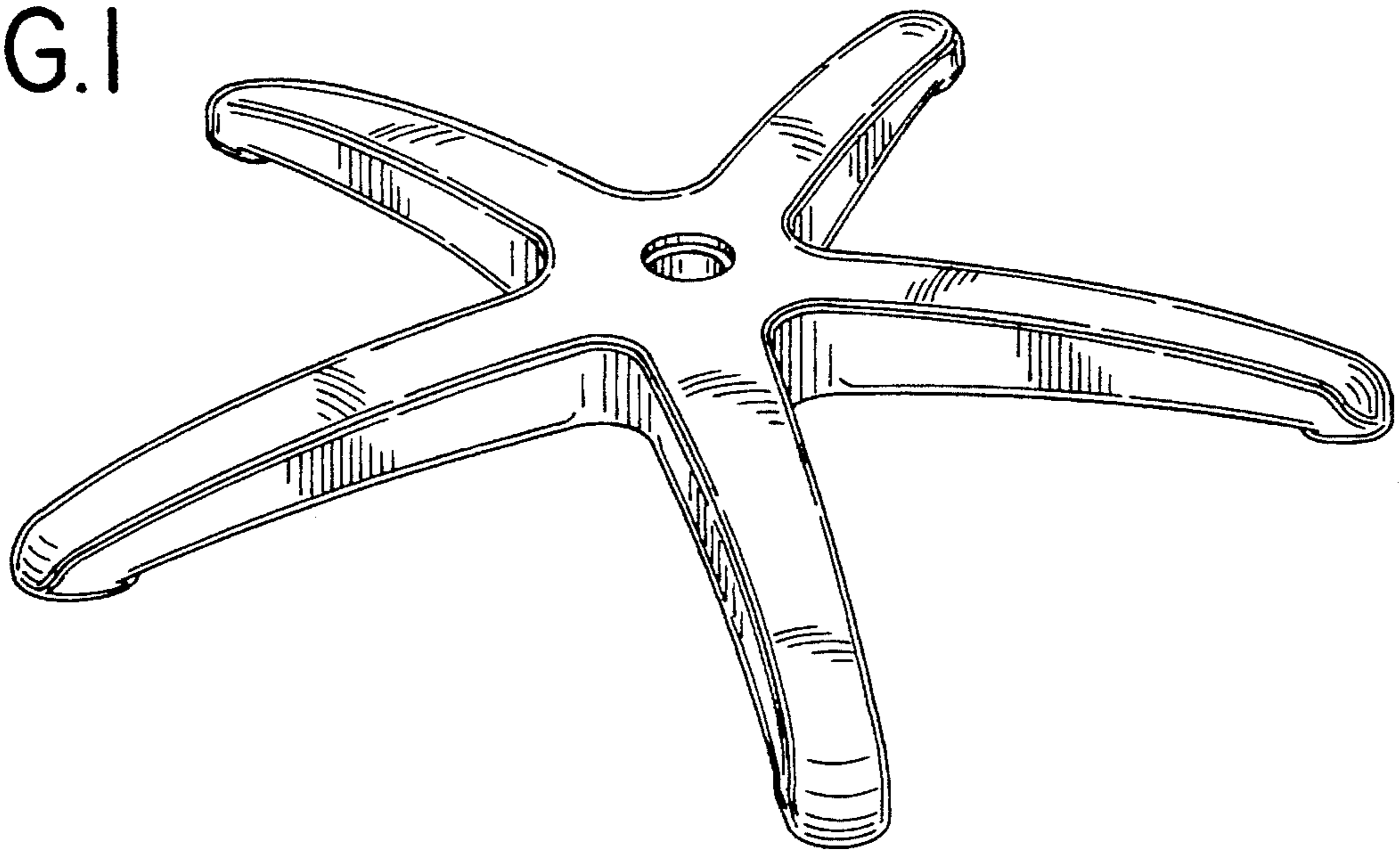


FIG.2

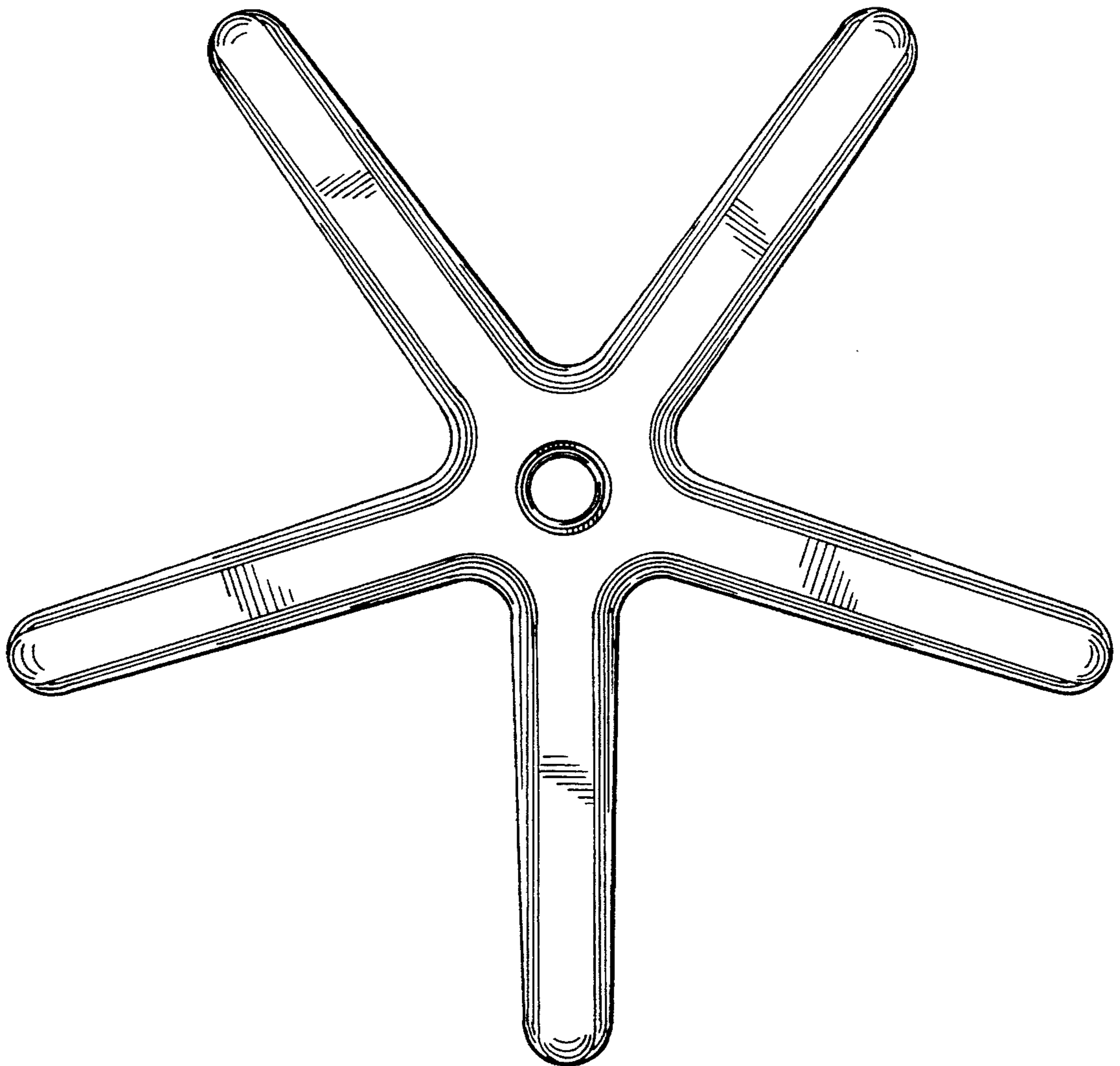


FIG. 3

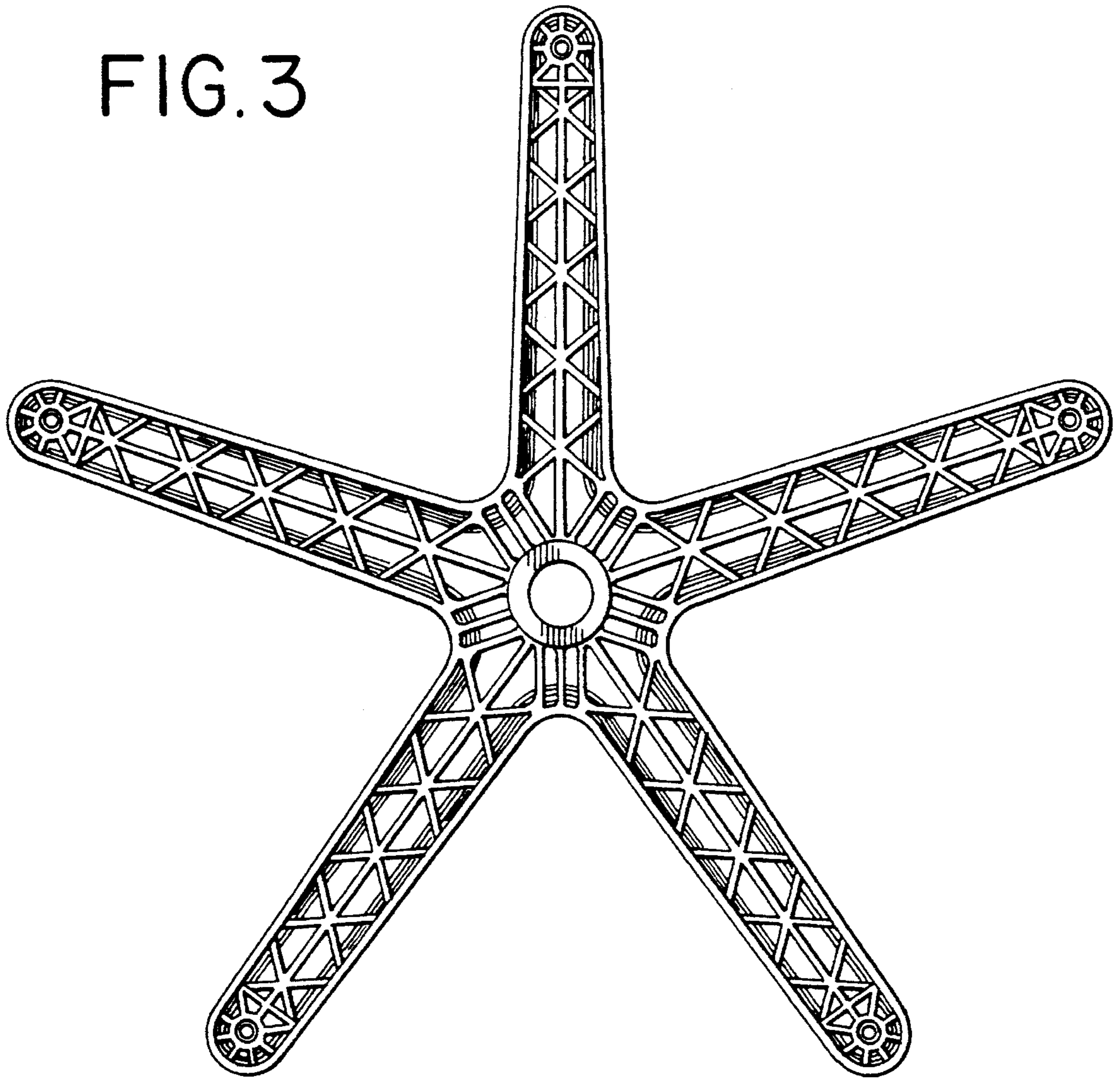


FIG. 4

