



US00D366372S

United States Patent [19]

[11] Patent Number: Des. 366,372

Skarda, Jr.

[45] Date of Patent: **Jan. 23, 1996

[54] GROUND INSERTED BEACH TABLE

[76] Inventor: James F. Skarda, Jr., 4532 Todd Point La., Baltimore, Md. 21219

[**] Term: 14 Years

[21] Appl. No.: 18,798

[22] Filed: Feb. 16, 1994

[52] U.S. Cl. D6/417

[58] Field of Search D6/416, 417, 553; 211/62; 248/530, 533, 545, 156; 135/16, 118; D7/553

[56] References Cited

U.S. PATENT DOCUMENTS

D. 163,617	6/1951	Lilja	D6/417
D. 242,515	11/1976	Shumrak	D7/553
4,407,475	10/1983	Gossage	248/156
4,920,897	5/1990	Reed et al.	248/156 X
5,046,699	9/1991	Perreault et al.	248/533
5,088,681	2/1992	Procaccianti et al.	248/530
5,143,108	9/1992	Kenney	135/16
5,293,889	3/1994	Hall et al.	135/16

FOREIGN PATENT DOCUMENTS

465880	6/1950	Canada	248/156
1432491	2/1966	France	135/16

Primary Examiner—Carmen H. Vales-Lado
Attorney, Agent, or Firm—Leonard Bloom

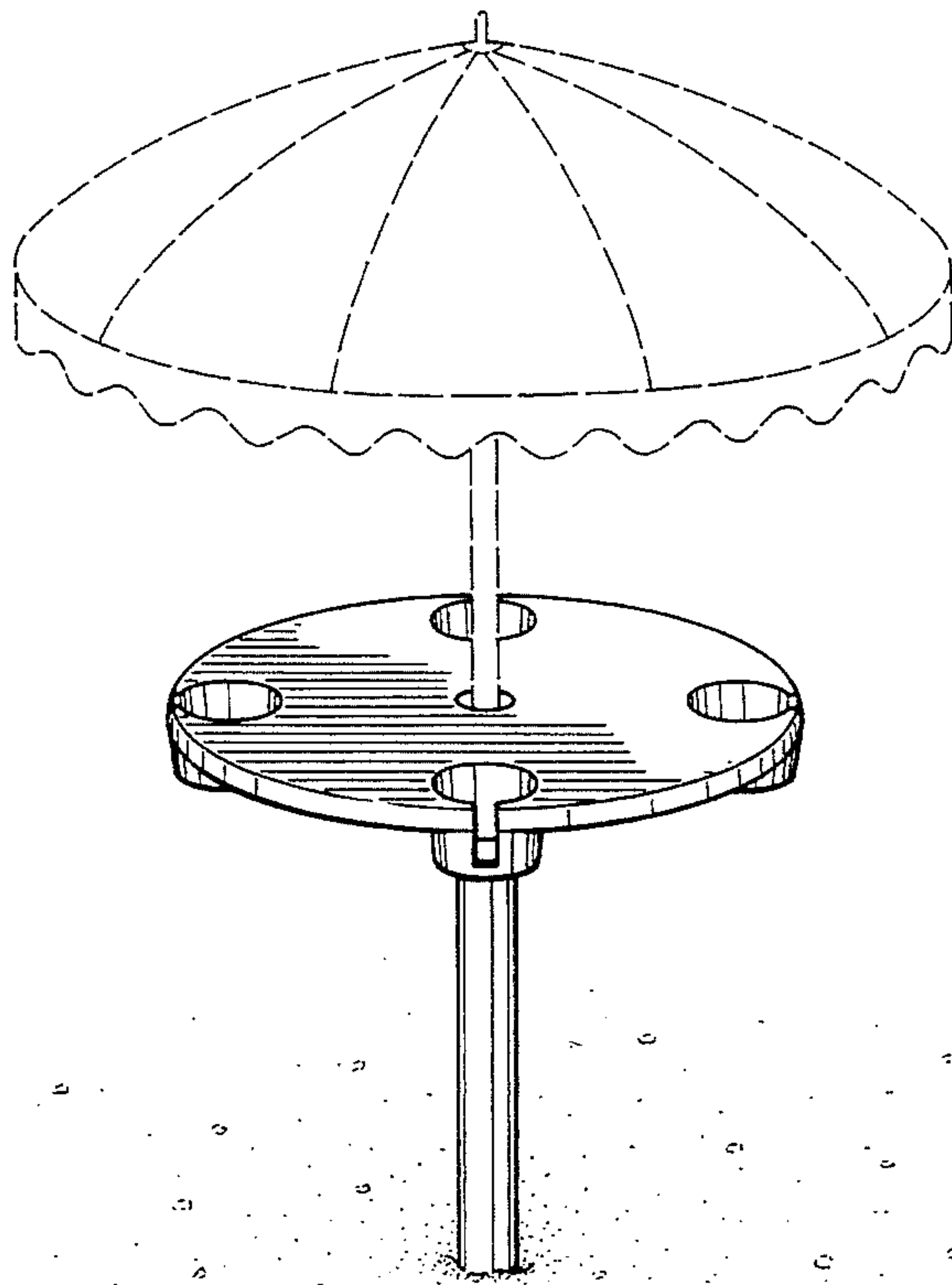
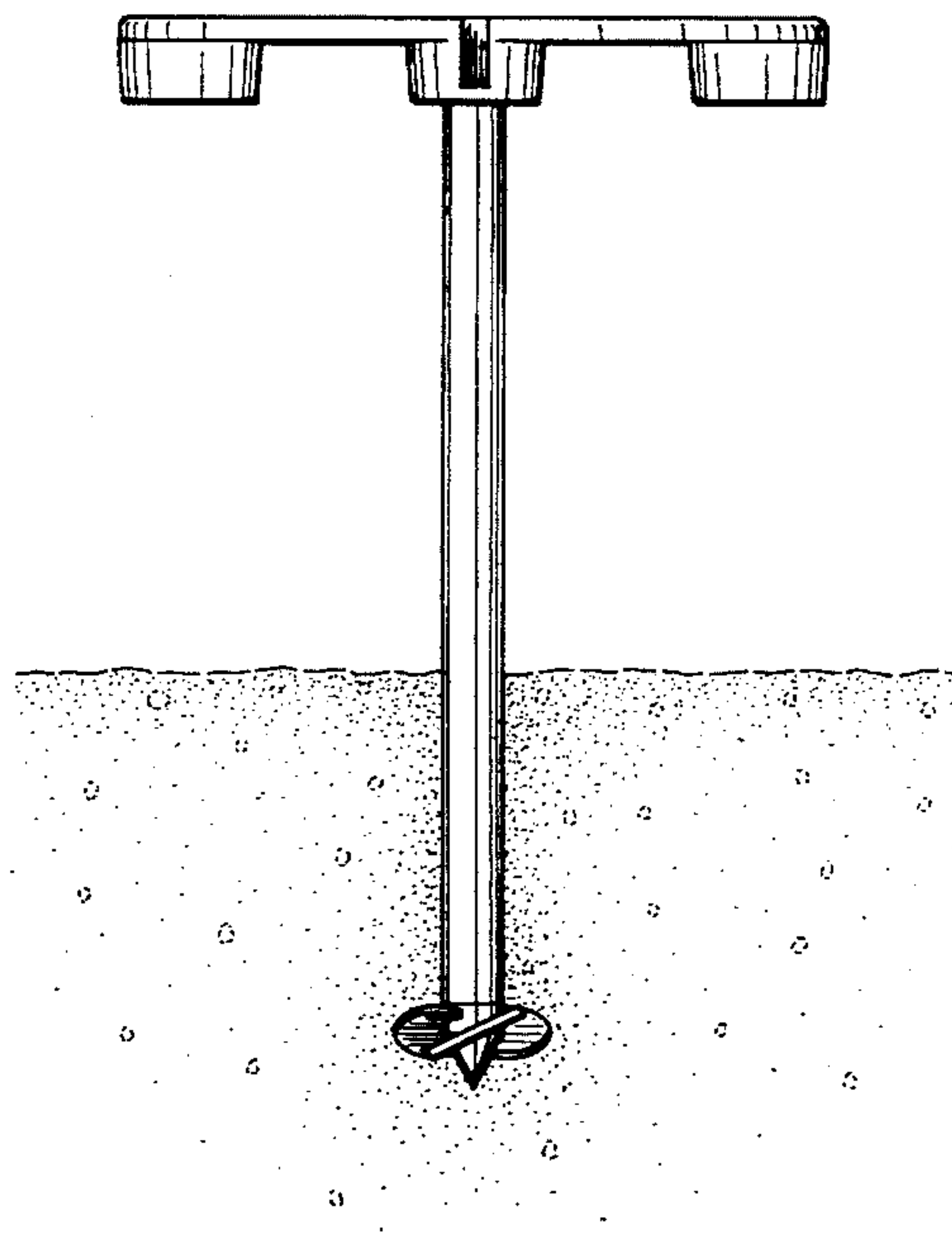
[57] CLAIM

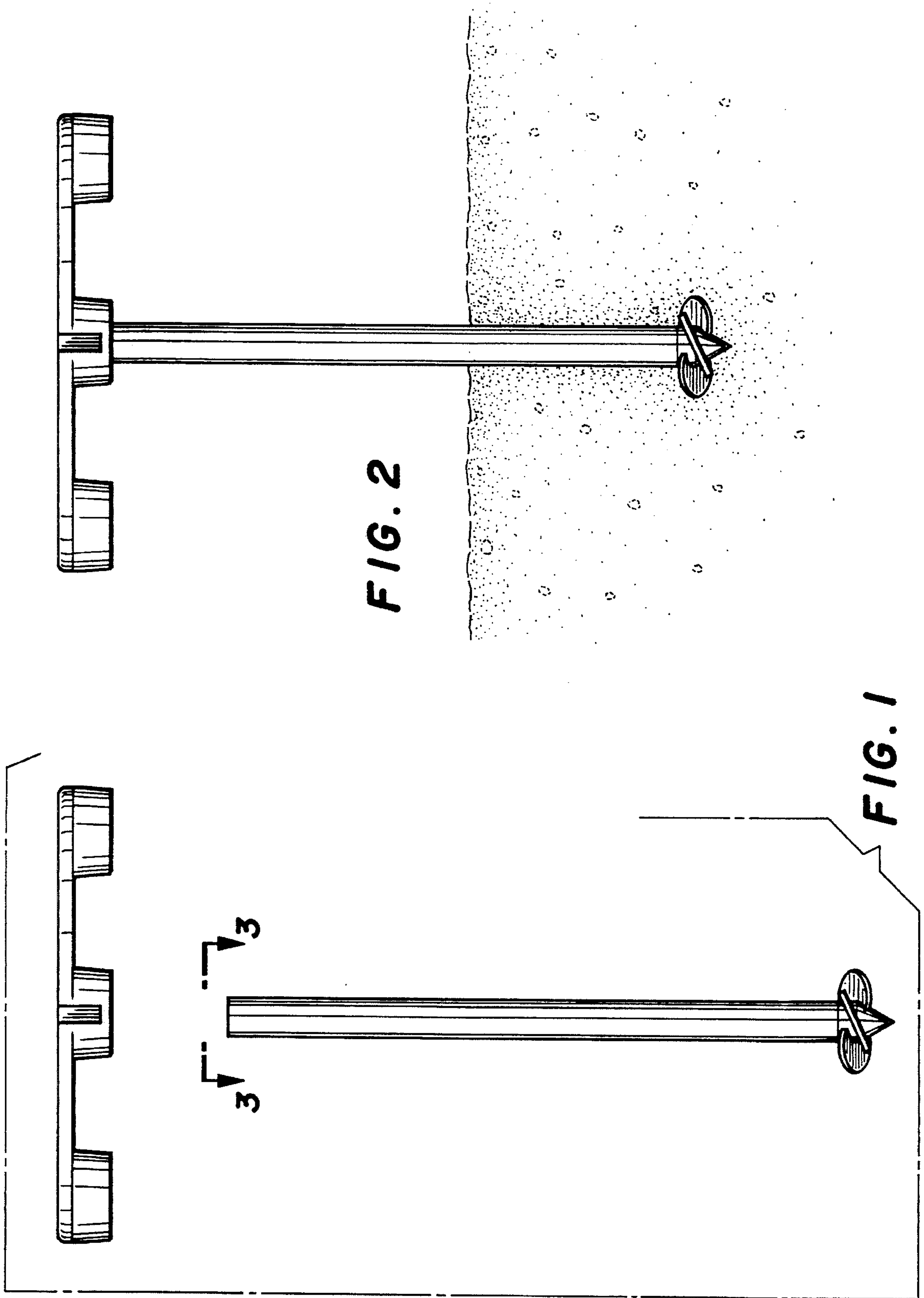
The ornamental design for a ground inserted beach table, as shown and described.

DESCRIPTION

FIG. 1 is an exploded elevational view of a ground inserted beach table showing my new design;
 FIG. 2 is an elevational view in position of use, the sand being shown broken away for environmental purposes only;
 FIG. 3 is a top plan view of the vertical support, the table top removed for convenience of illustration;
 FIG. 4 is a bottom plan view thereof;
 FIG. 5 is a top plan view of FIG. 2;
 FIG. 6 is a bottom plan view of the table, the vertical support removed for convenience of illustration;
 FIG. 7 is a fragmentary cross-sectional view taken along line 7—7 of FIG. 5;
 FIG. 8 is a perspective view with the broken line disclosure showing a use thereof and forming no part of the claimed design; and,
 FIG. 9 is a perspective view with the broken line disclosure showing a different use thereof and forming no part of the claimed design.

1 Claim, 5 Drawing Sheets





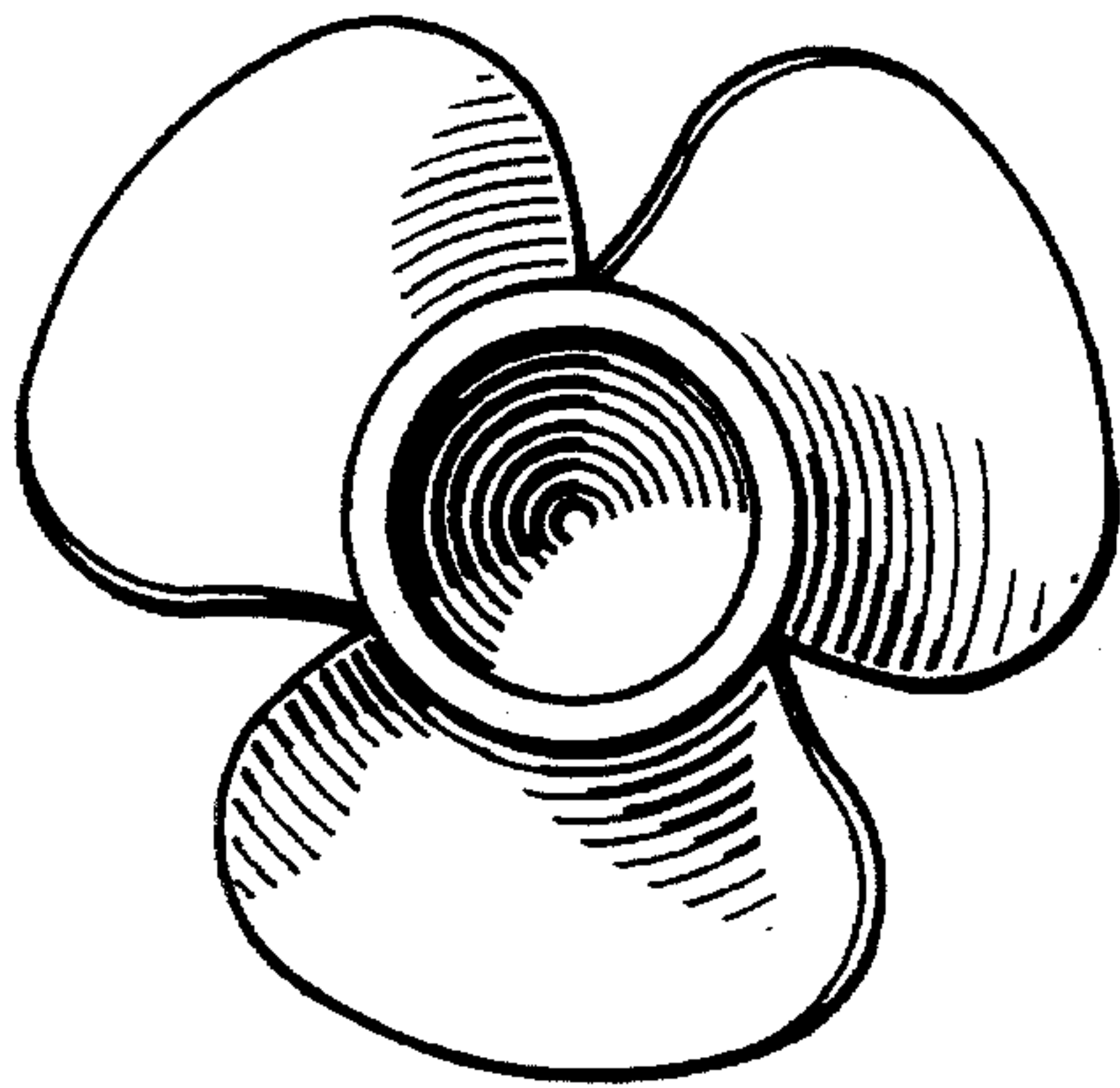


FIG. 3

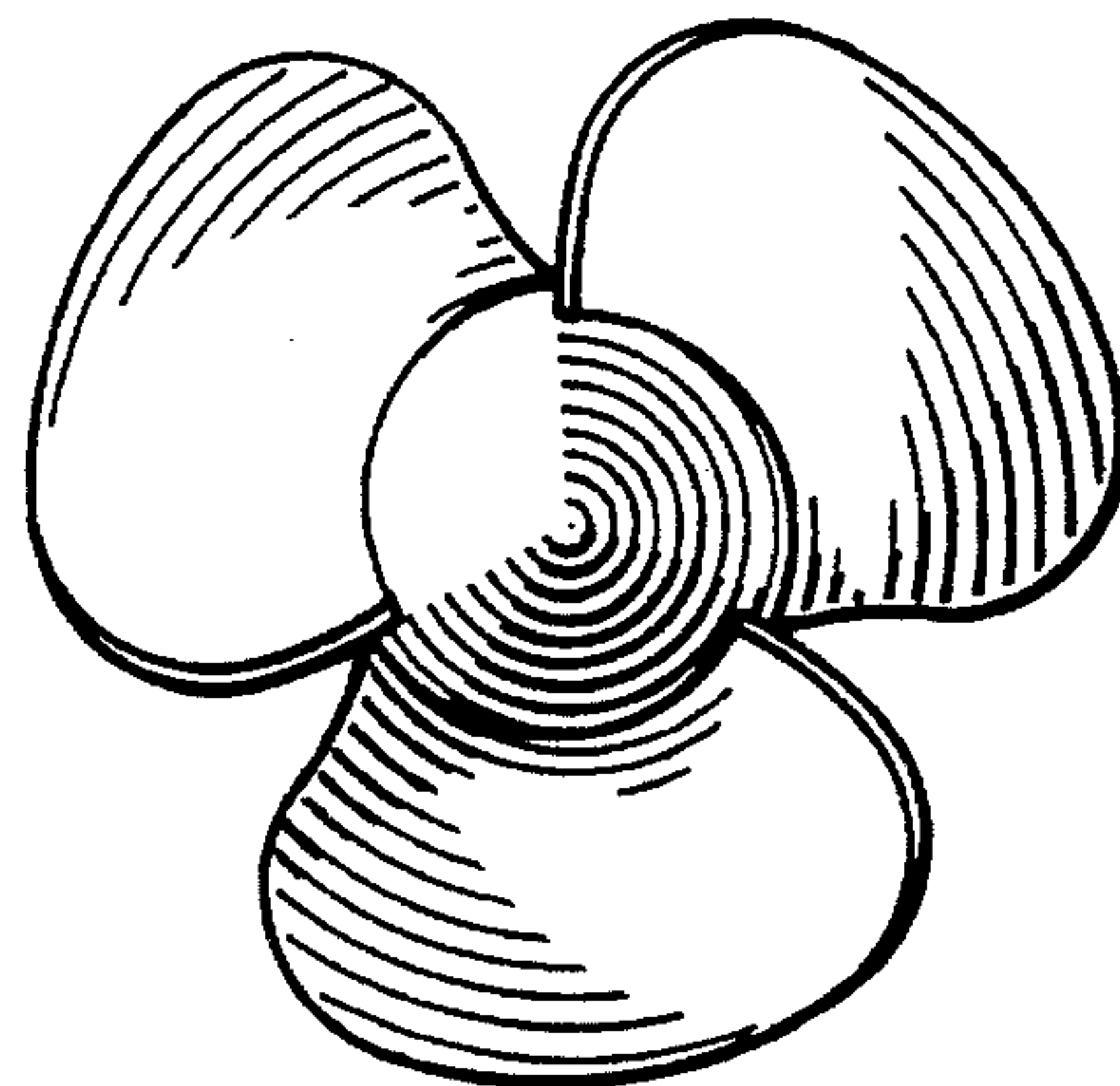


FIG. 4

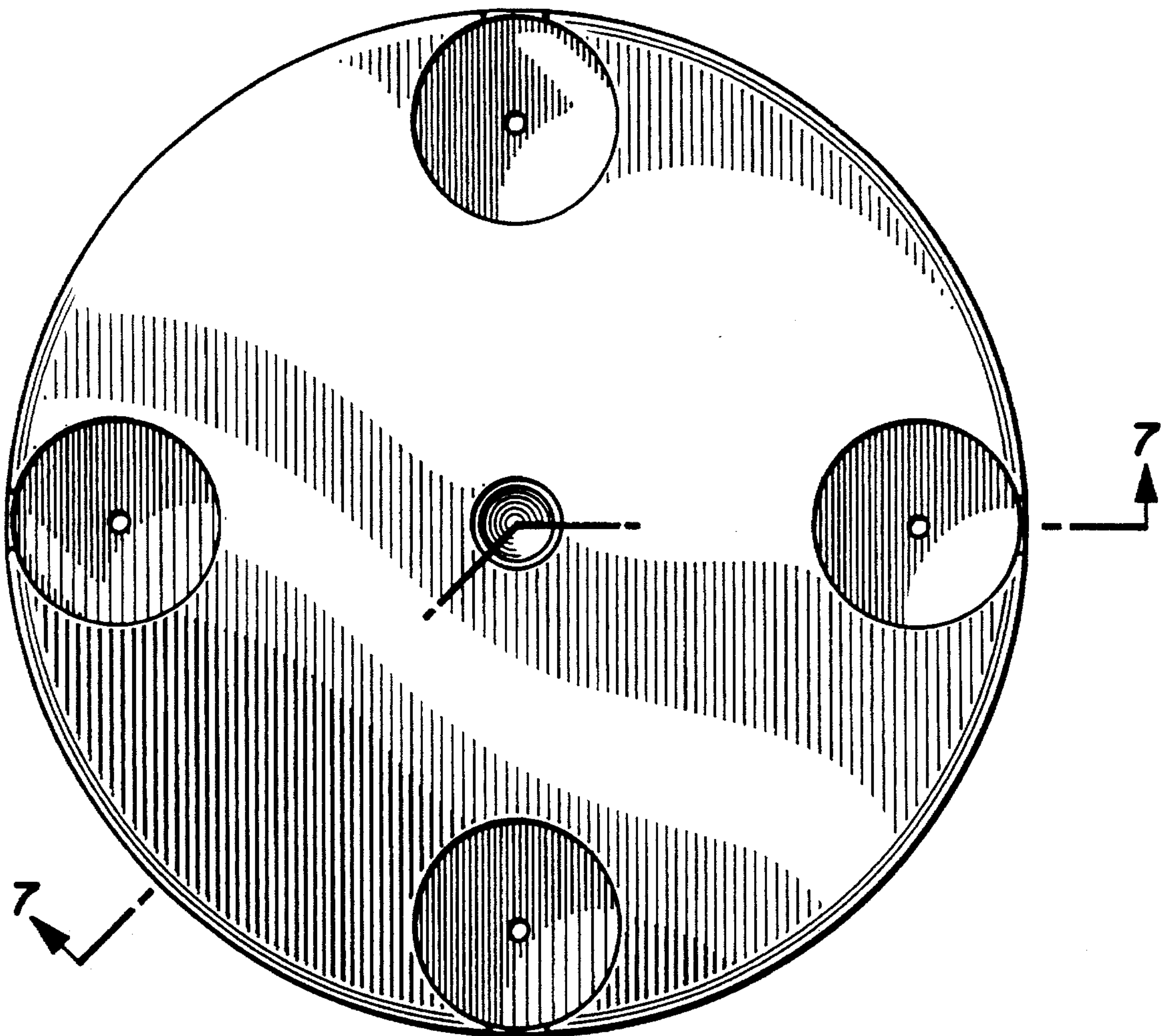


FIG. 5

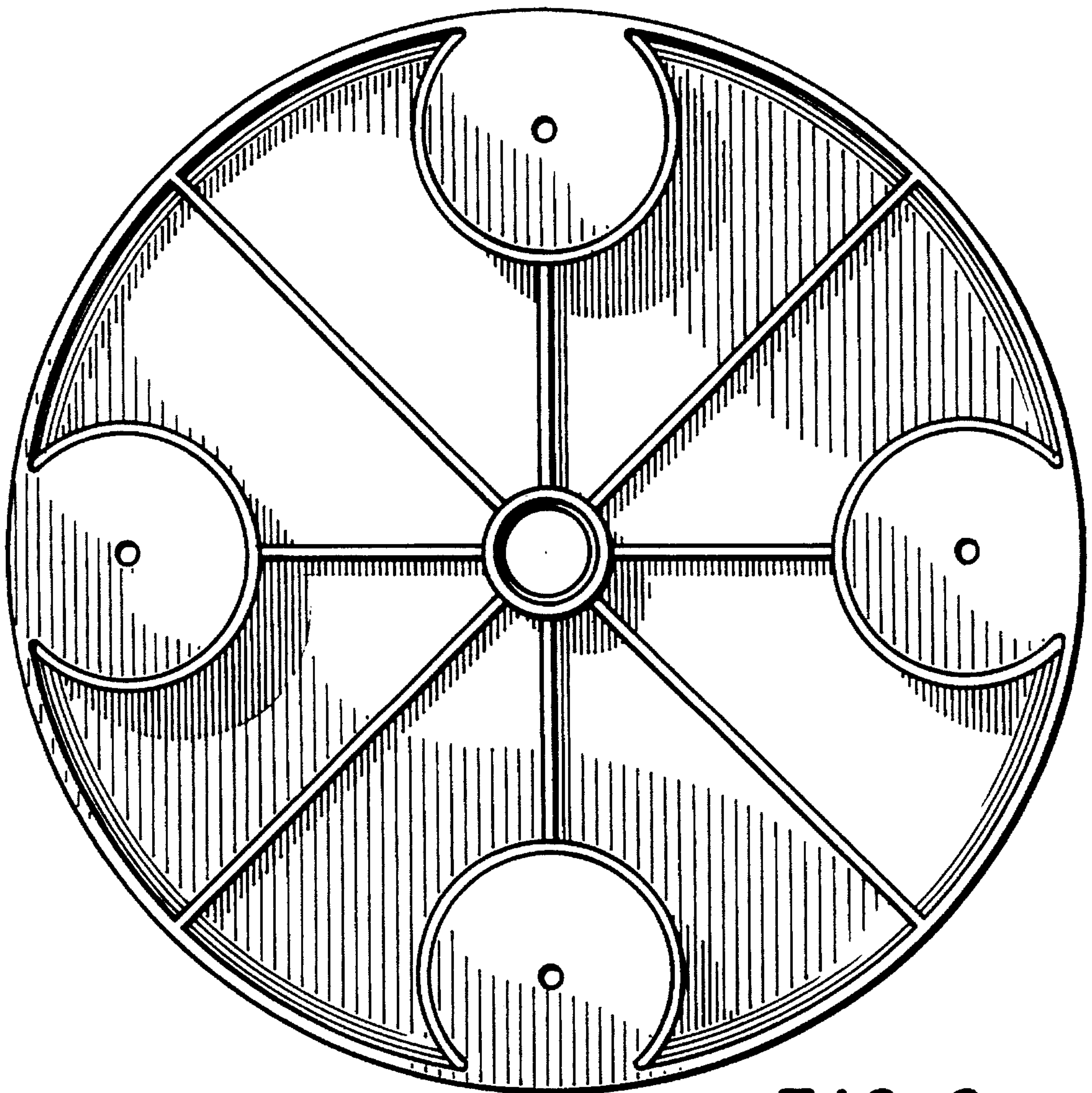


FIG. 6

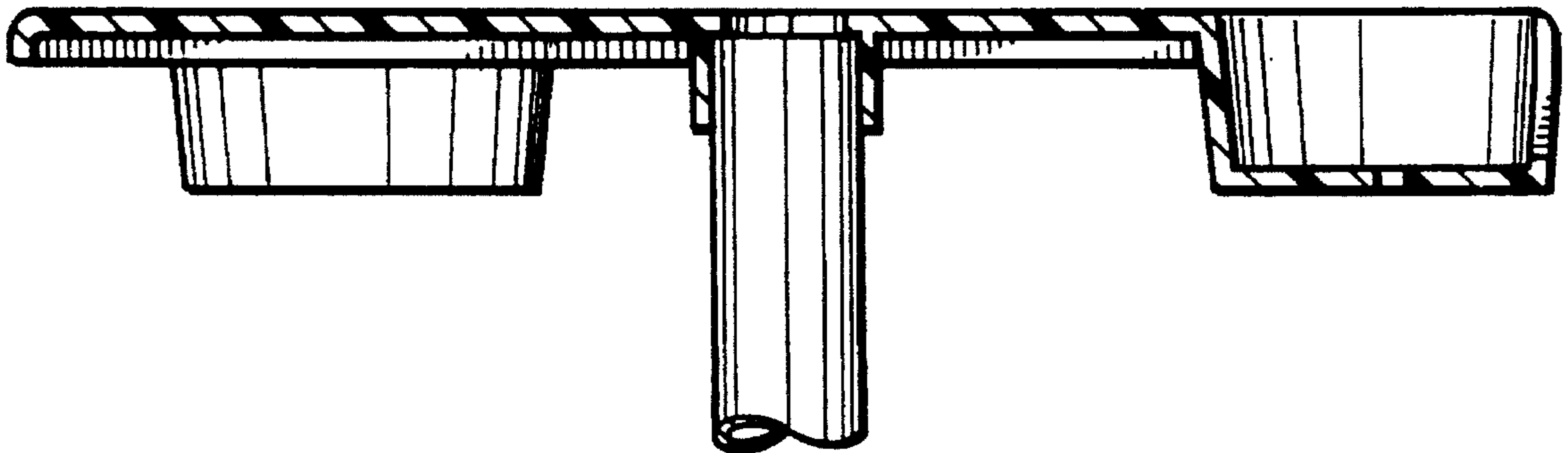


FIG. 7

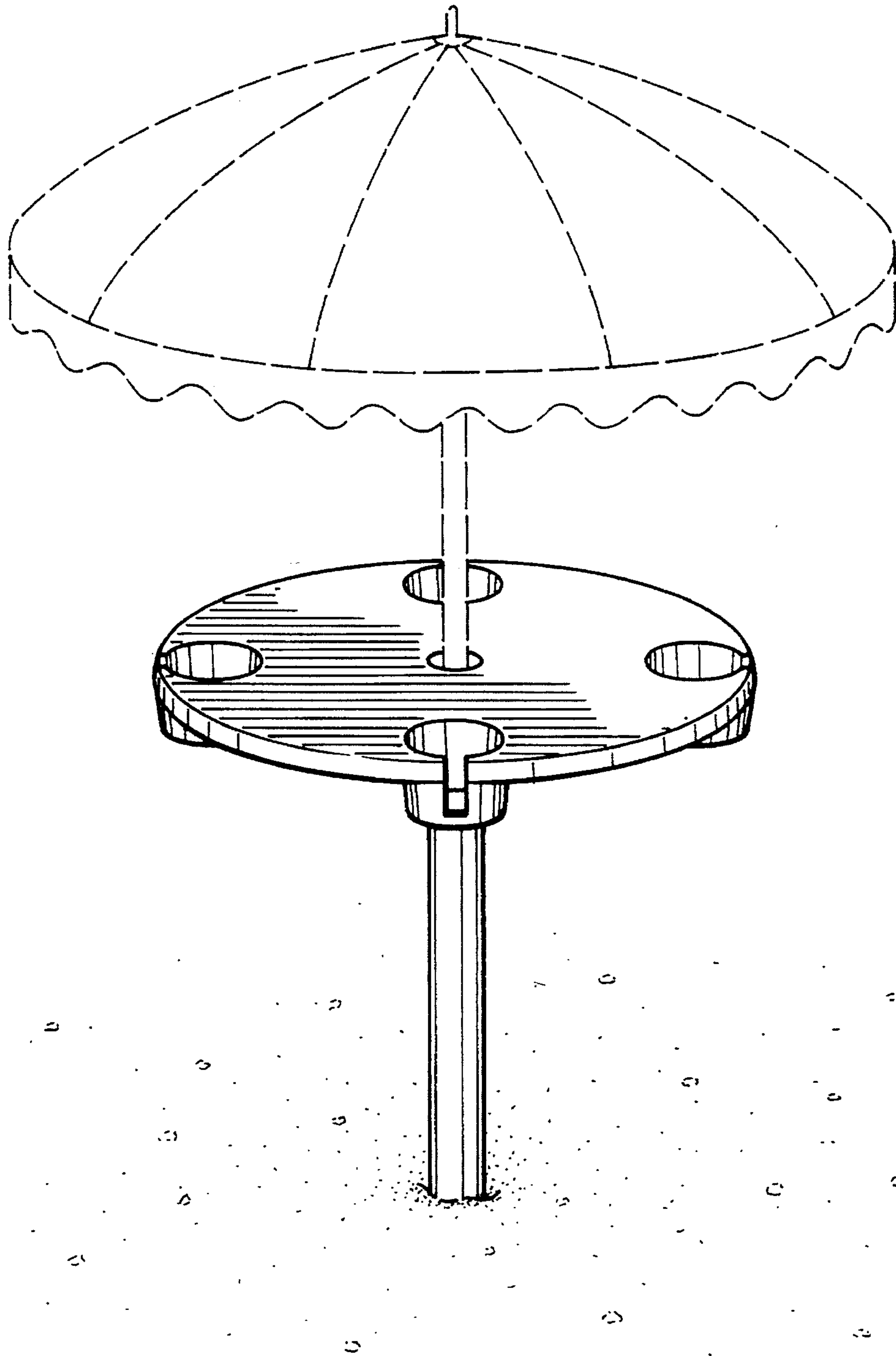


FIG. 8

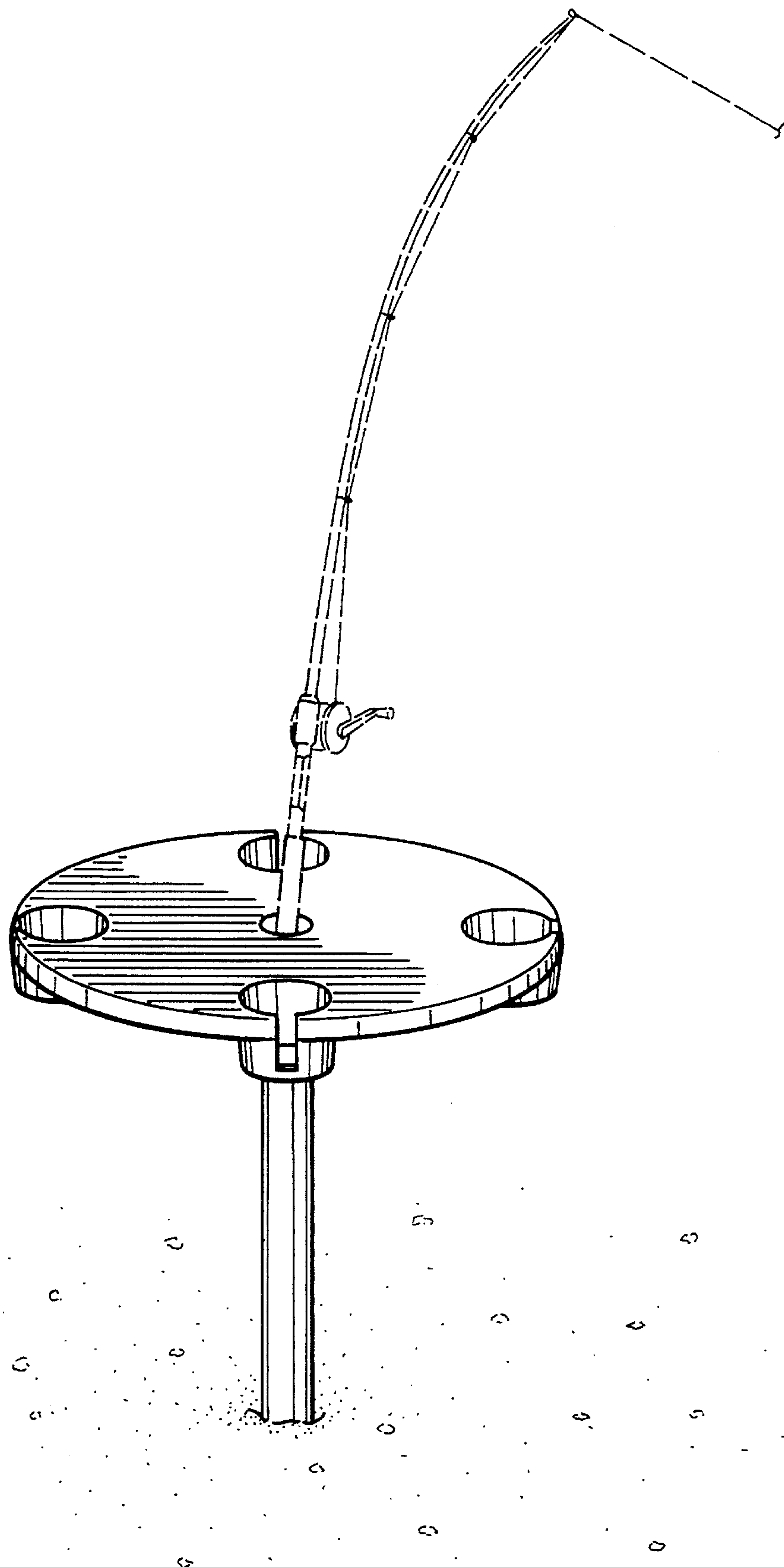


FIG. 9