



US00D366371S

United States Patent [19]

[11] Patent Number: **Des. 366,371**

Natuzzi et al.

[45] Date of Patent: ****Jan. 23, 1996**

[54] SOFA

[75] Inventors: **Pasquale Natuzzi**, Santeramo In Colle;
Arcangelo Scarati, Talsano, both of Italy

[73] Assignee: **Industrie Natuzzi Spa**, Bari, Italy

[**] Term: **14 Years**

[21] Appl. No.: **21,160**

[22] Filed: **Apr. 11, 1994**

[52] U.S. Cl. **D6/381**

[58] Field of Search D6/334, 335, 336,
D6/364, 371, 373, 381, 500, 501, 502;
297/232

[56] References Cited

U.S. PATENT DOCUMENTS

D. 237,436	11/1975	Warren	D6/381
D. 284,145	6/1986	Staats et al.	D6/381
D. 293,283	12/1987	Formenti	D6/381
D. 337,692	7/1993	Natuzzi et al.	D6/381

OTHER PUBLICATIONS

Waynline, Jul. 1988, sofa #602-810 in background.
 Domos, Jan. 1982, p. 5, sofa at top.
 Roche-Bobois, ©1990, p. 49, sofa at bottom.
 Rowe Show Place Brochure, Contemporary sofa at top left.
 Natuzzi Model No. Siena Apr. 1986 at International Home
 Furnishings Market in High Point, N.C.
 Natuzzi Model No. Vesuvio Oct. 1987 at International Home
 Furnishings Market in High Point, N.C.
 Natuzzi Model No. 718 Oct. 1989 at International Home
 Furnishings Market in High Point, N.C.

Natuzzi Model No. 741 Apr. 1990 At International Furnish-
 ings Market in High Point, N.C.
 Natuzzi Model No. 770 Oct. 1990 At International Home
 Furnishings Market in High Point, N.C.
 Natuzzi Model No. 792 Oct. 1990 at International Home
 Furnishings Market in High Point, N.C.
 Natuzzi Model No. 804 Oct. 1990 at International Home
 Furnishings Market in High Point, N.C.
 Natuzzi Model No. 829 Apr. 1991 at International Home
 Furnishings Market in High Point, N.C.
 Natuzzi Model No. 831 Apr. 1991 at International Home
 Furnishings Market in High Point, N.C.
 Natuzzi Model No. 963 Sep. 1992 at International Home
 Furnishings Market in High Point, N.C.
 Natuzzi Model No. 989 Oct. 1992 at International Home
 Furnishings Market in High Point, N.C.
 Natuzzi Model No. 1035 Mar. 1993 at International Home
 Furnishings Market in High Point, N.C.

Primary Examiner—Alan P. Douglas
Assistant Examiner—Gary D. Watson
Attorney, Agent, or Firm—Bell, Seltzer, Park & Gibson

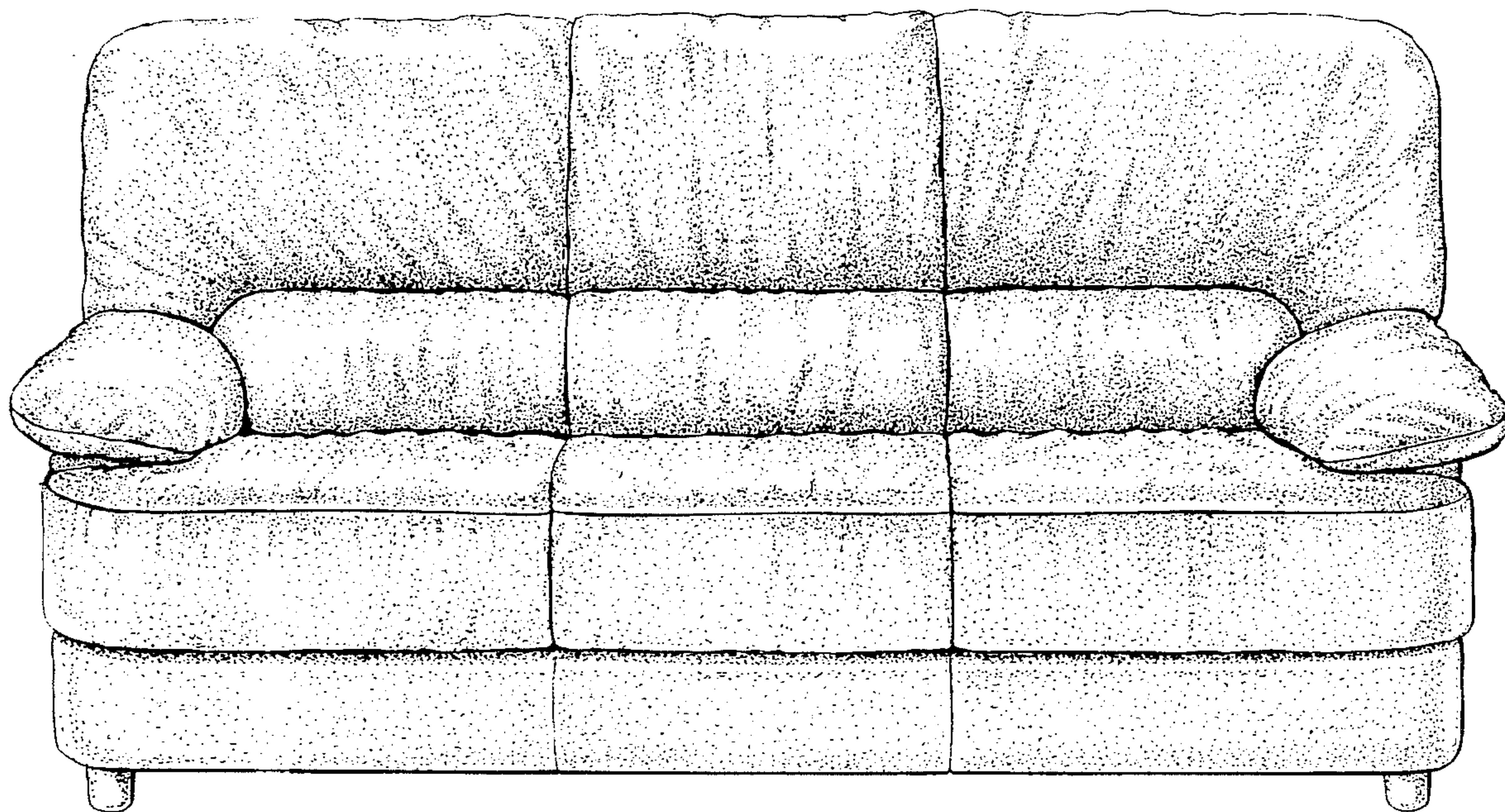
[57] CLAIM

The ornamental design for a sofa, as shown and described.

DESCRIPTION

FIG. 1 is a perspective view of a sofa showing our new design;
 FIG. 2 is a front elevational view;
 FIG. 3 is a top plan view;
 FIG. 4 is a right side elevational view, and the left side
 elevational view being a mirror image thereof; and,
 FIG. 5 is a rear perspective view.

1 Claim, 3 Drawing Sheets



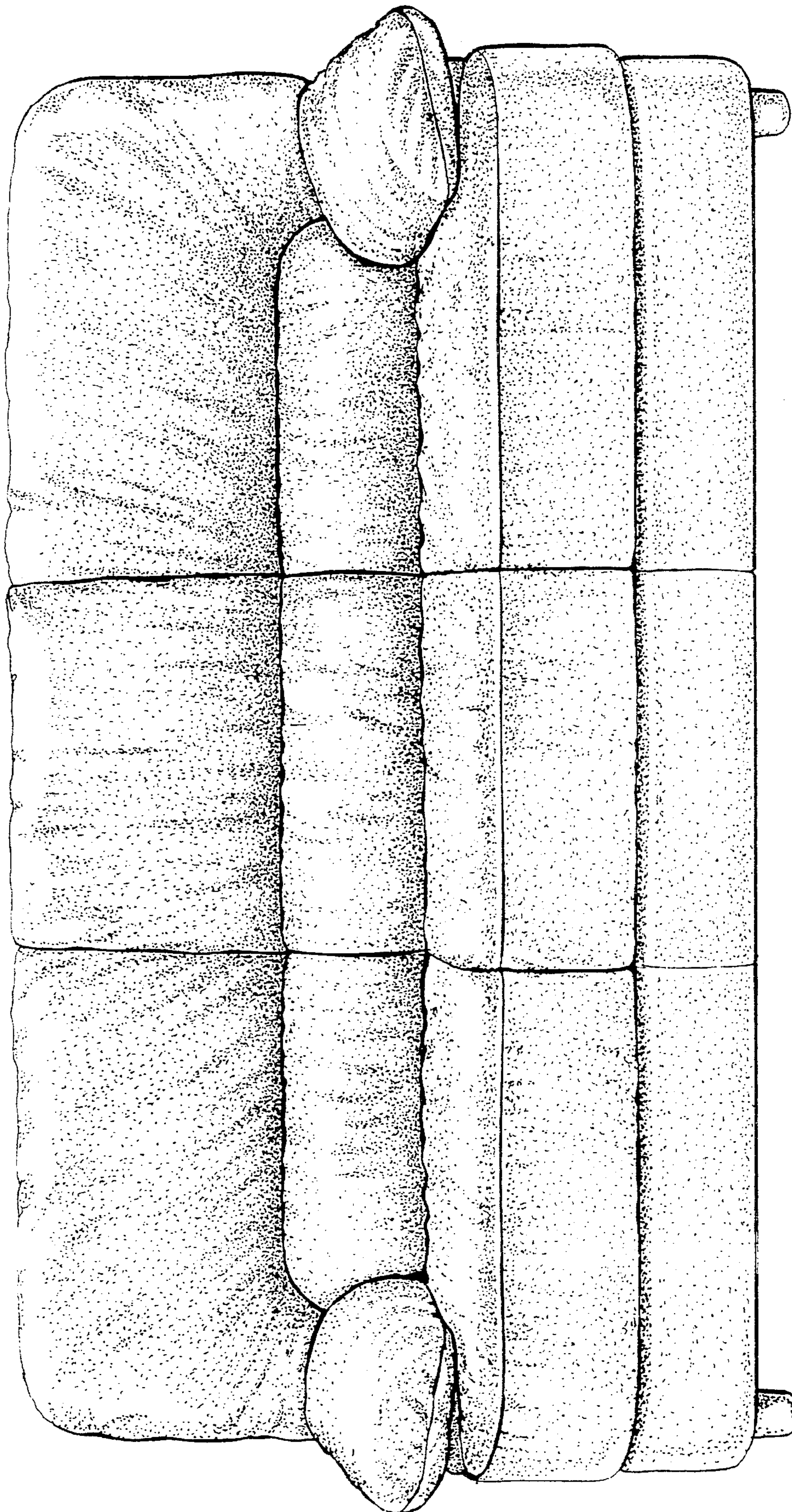


FIG. 1

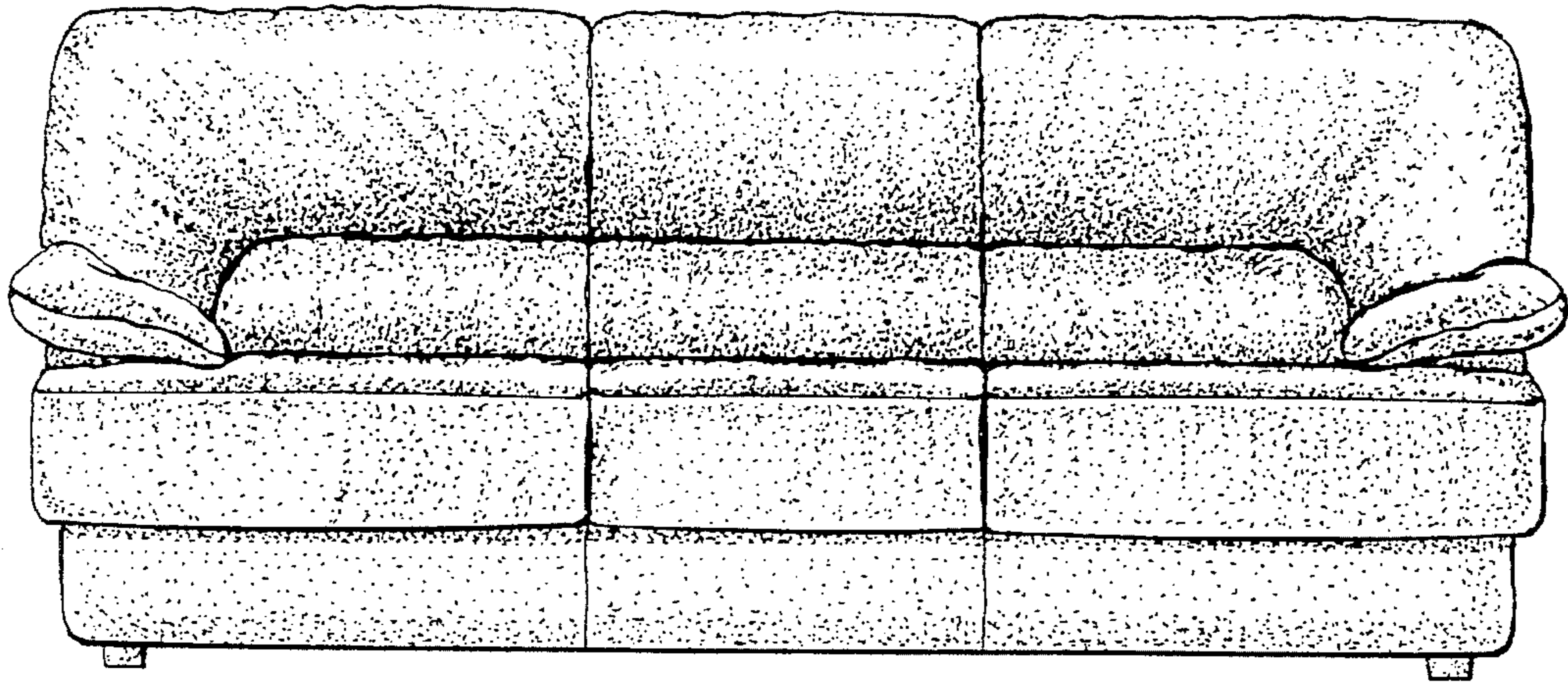


FIG-2

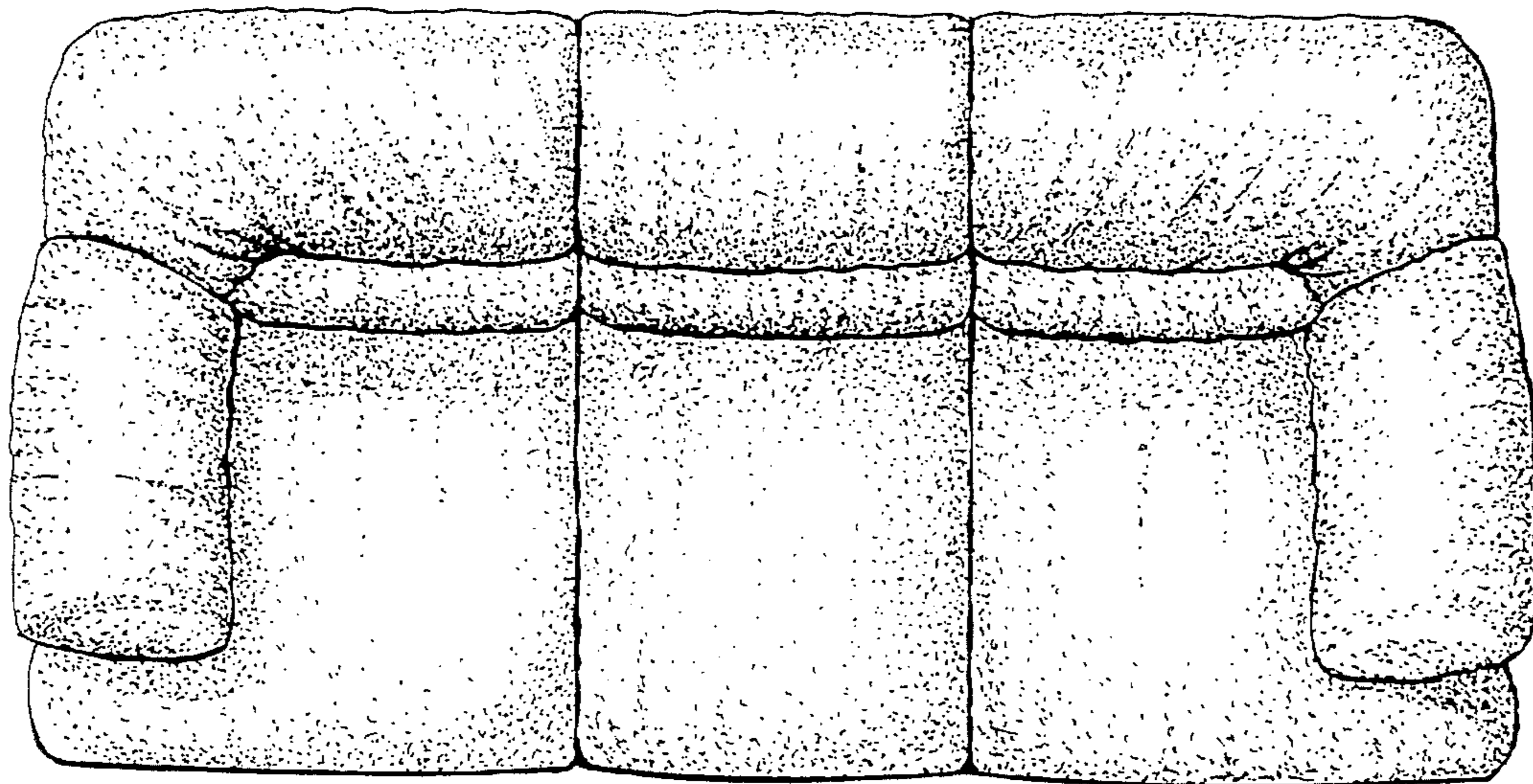


FIG-3

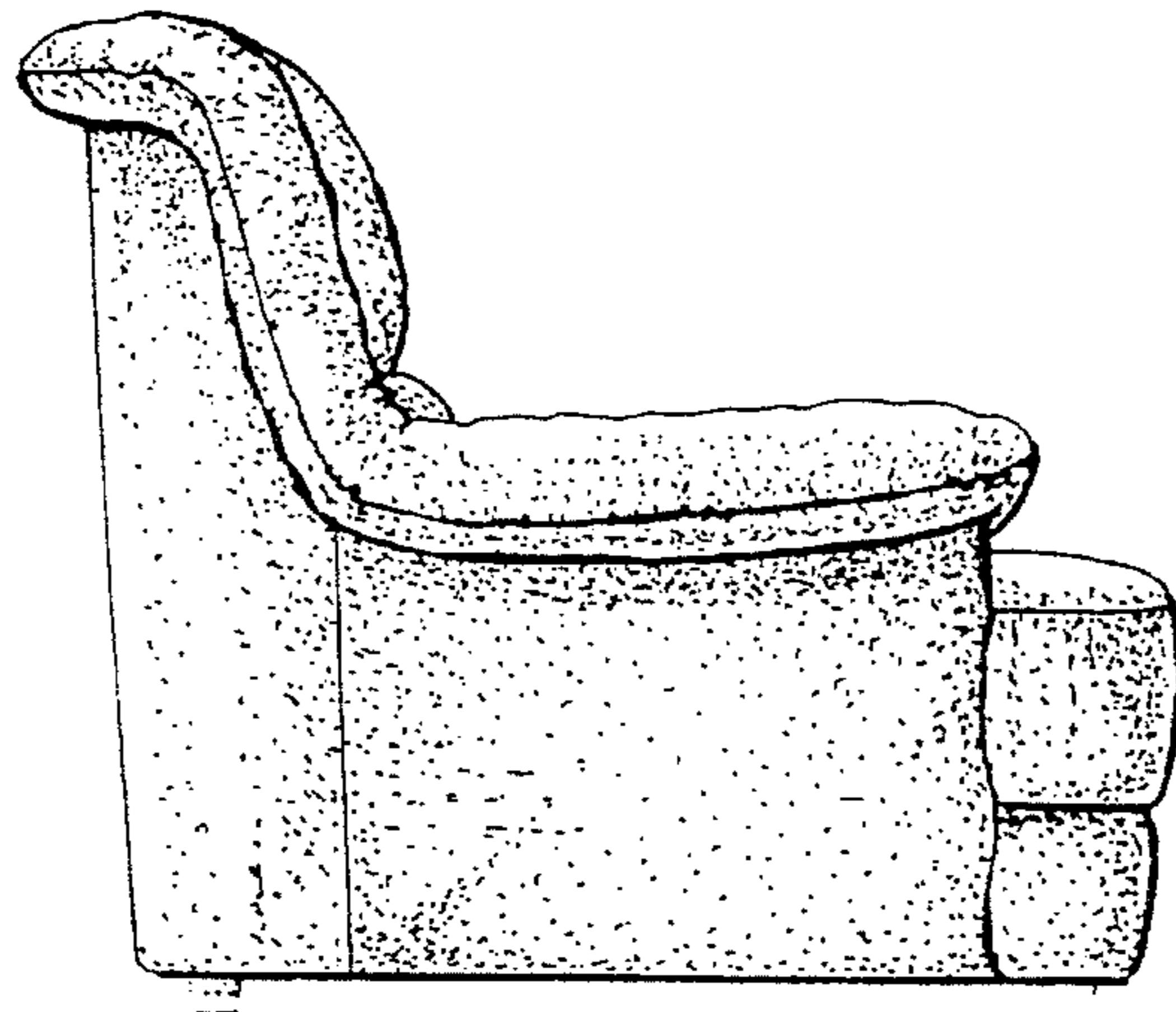


FIG-4

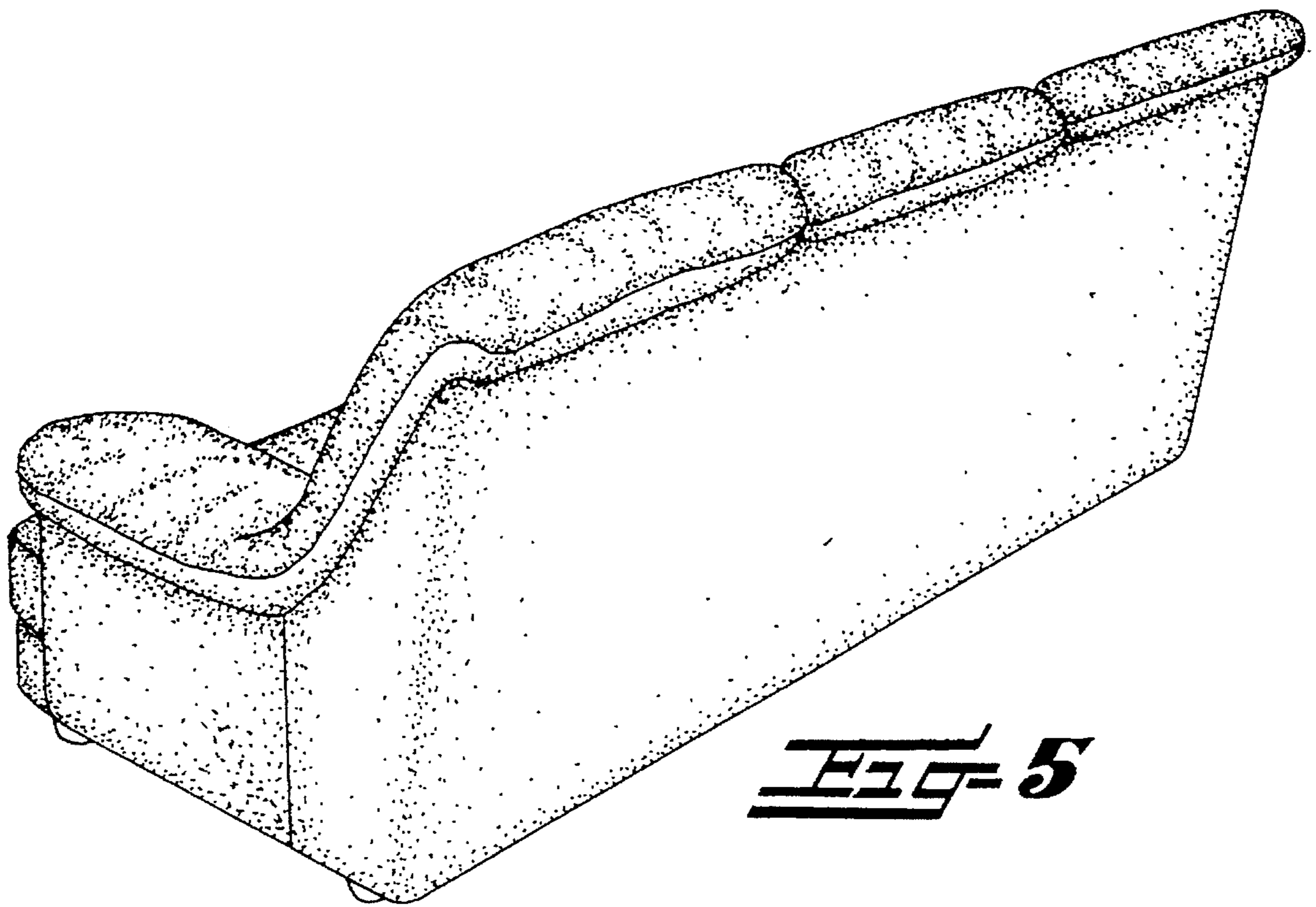


FIG. 5