



US00D366370S

United States Patent [19]

[11] Patent Number: **Des. 366,370**

Natuzzi et al.

[45] Date of Patent: ****Jan. 23, 1996**

[54] SEAT

[75] Inventors: **Pasquale Natuzzi**, Santeramo In Colle;
Arcangelo Scarati, Talsano, both of
Italy

[73] Assignee: **Industrie Natuzzi SPA**, Bari, Italy

[**] Term: **14 Years**

[21] Appl. No.: **25,341**

[22] Filed: **Jun. 30, 1994**

[52] U.S. Cl. **D6/381**; D6/334

[58] Field of Search D6/334, 335, 336,
D6/364, 371, 373, 381, 500, 501, 502;
297/232, 445, 446

[56] References Cited

U.S. PATENT DOCUMENTS

D. 253,078	10/1979	Busnelli	D6/334
D. 261,331	10/1981	Benz	D6/334
D. 263,658	4/1982	Saporiti	D6/334
D. 270,404	9/1983	Saporiti	D6/381
D. 352,608	11/1994	Natuzzi et al.	D6/334

OTHER PUBLICATIONS

- Abitare, May 1979, p. 79, sofa and chair shown.
- Waynline, Jul. 1982, 628 group of a sofa, love seat and chair shown.
- Ekornes, p. 31, sofa at bottom right and enlarged insert at bottom left.
- Waynline, Jul. 1988, 602 group: sofa, love seat and chair.
- Rocke-Bobois, ©1990, p. 49, chair and sofa shown.
- Natuzzi Model Priamo, Apr. 1986 at International Home Furnishings Market in High Point, N.C.
- Natuzzi Model 160, Oct. 1986 at International Home Furnishings Market in High Point, N.C.
- Natuzzi Model 166, Nov. 1986 at International Home Furnishings Market in High Point, N.C.
- Natuzzi Model 177, Apr. 1987 at International Home Furnishings Market in High Point, N.C.
- Natuzzi Model 197, Oct. 1987 at International Home Furnishings Market in High Point, N.C.
- Natuzzie Model 417, Oct. 1987 at International Home Furnishings Market in High Point, N.C.

- Natuzzi Model 464, Oct. 1988 at International Home Furnishings Market in High Point, N.C.
- Natuzzi Model 492, Apr. 1989 at International Home Furnishings Market in High Point, N.C.
- Natuzzi Model 829, Apr. 1991 at International Home Furnishings Market in High Point, N.C.
- Natuzzi Model 896, Apr. 1992 at International Home Furnishings Market in High Point, N.C.
- Natuzzi Model 901, Apr. 1992 at International Home Furnishings Market in High Point, N.C.
- Natuzzie Model 908, Apr. 1992 at International Home Furnishings Market in High Point, N.C.
- Natuzzi Model 929, Apr. 1992 at International Home Furnishings Market in High Point, N.C.

(List continued on next page.)

Primary Examiner—Gary D. Watson
Attorney, Agent, or Firm—Bell, Seltzer, Park & Gibson

[57] CLAIM

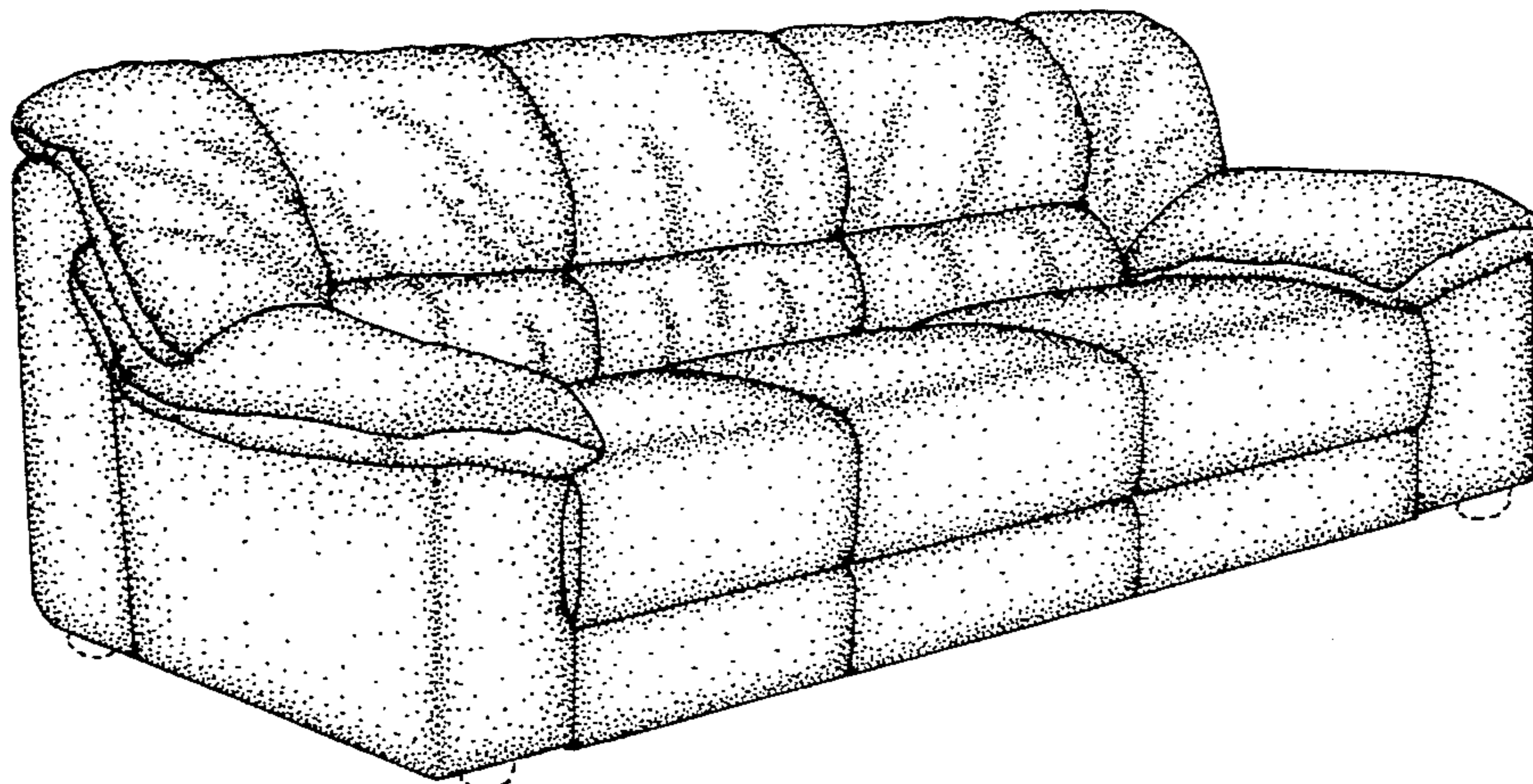
The ornamental design for a seat, as shown and described.

DESCRIPTION

FIG. 1 is a right side perspective view of a seat showing our new design in the form of a sofa;
 FIG. 2 is a left side perspective view;
 FIG. 3 is a front elevational view of a seat showing our new design in the form of a sofa;
 FIG. 4 is a top plan view of a seat showing our new design in the form of a sofa;
 FIG. 5 is a rear perspective view of a seat showing our new design in the form of a sofa;
 FIG. 6 is a right side perspective view of a seat showing our new design in the form of a love seat;
 FIG. 7 is a left side perspective view of a seat showing our new design in the form of a love seat;
 FIG. 8 is a right side perspective view of a seat showing our new design in the form of a chair; and,
 FIG. 9 is a right side perspective view of a seat showing our new design in the form of a chair.

The portion shown in the broken lines in the drawings forms no part of the design being claimed.

1 Claim, 5 Drawing Sheets



OTHER PUBLICATIONS

Natuzzi Model 963, Sep. 1992 at International Home Furnishings Market in High Point, N.C.

Natuzzi Model 970, Oct. 1992 at International Home Fur-

nishings Market in High Point, N.C.

Natuzzi Model 1020, Mar. 1993 at International Home Furnishings Market in High Point, N.C.

Natuzzi Model 1035, Mar. 1993 at International Home Furnishings Market in High Point, N.C.

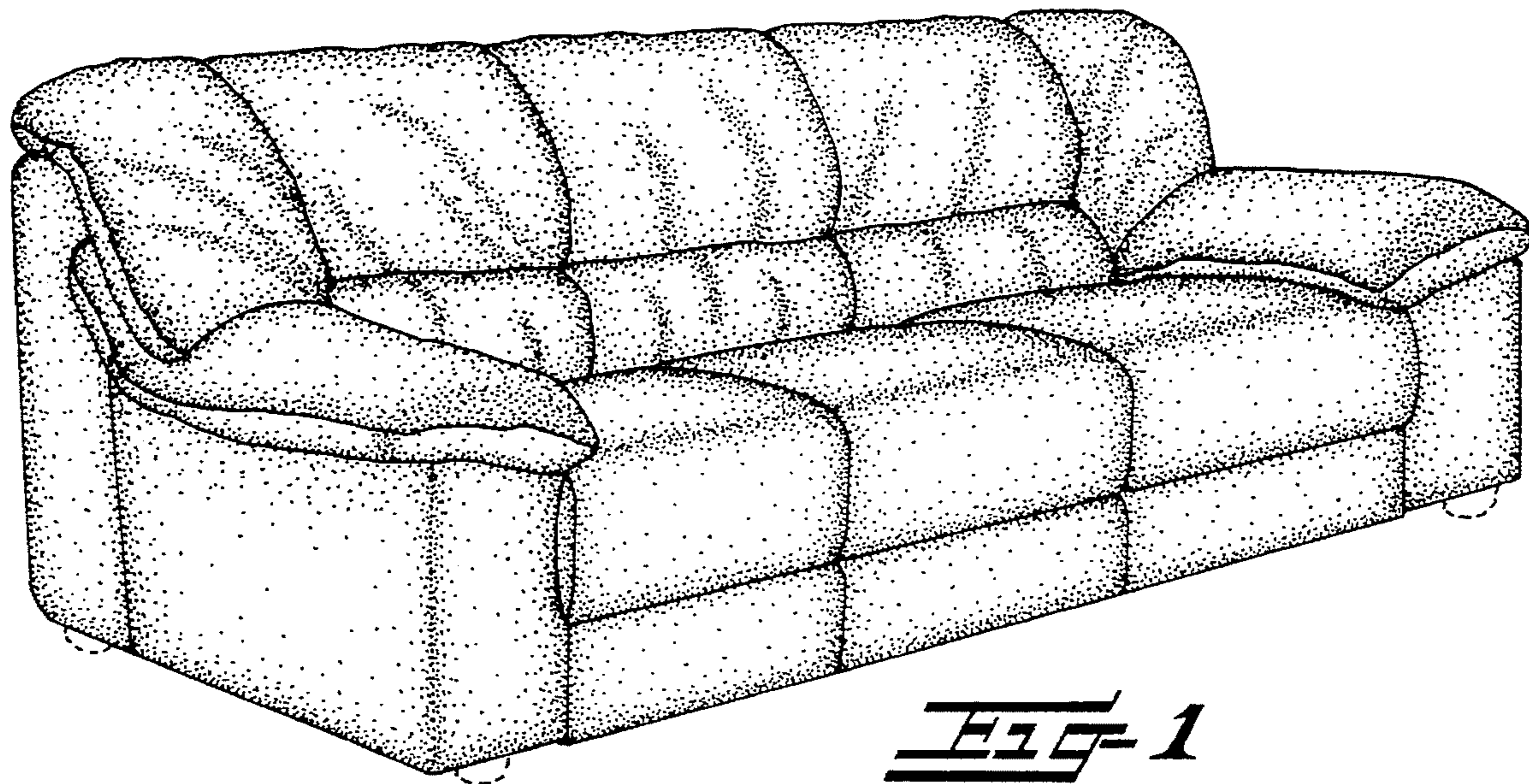


FIG-1

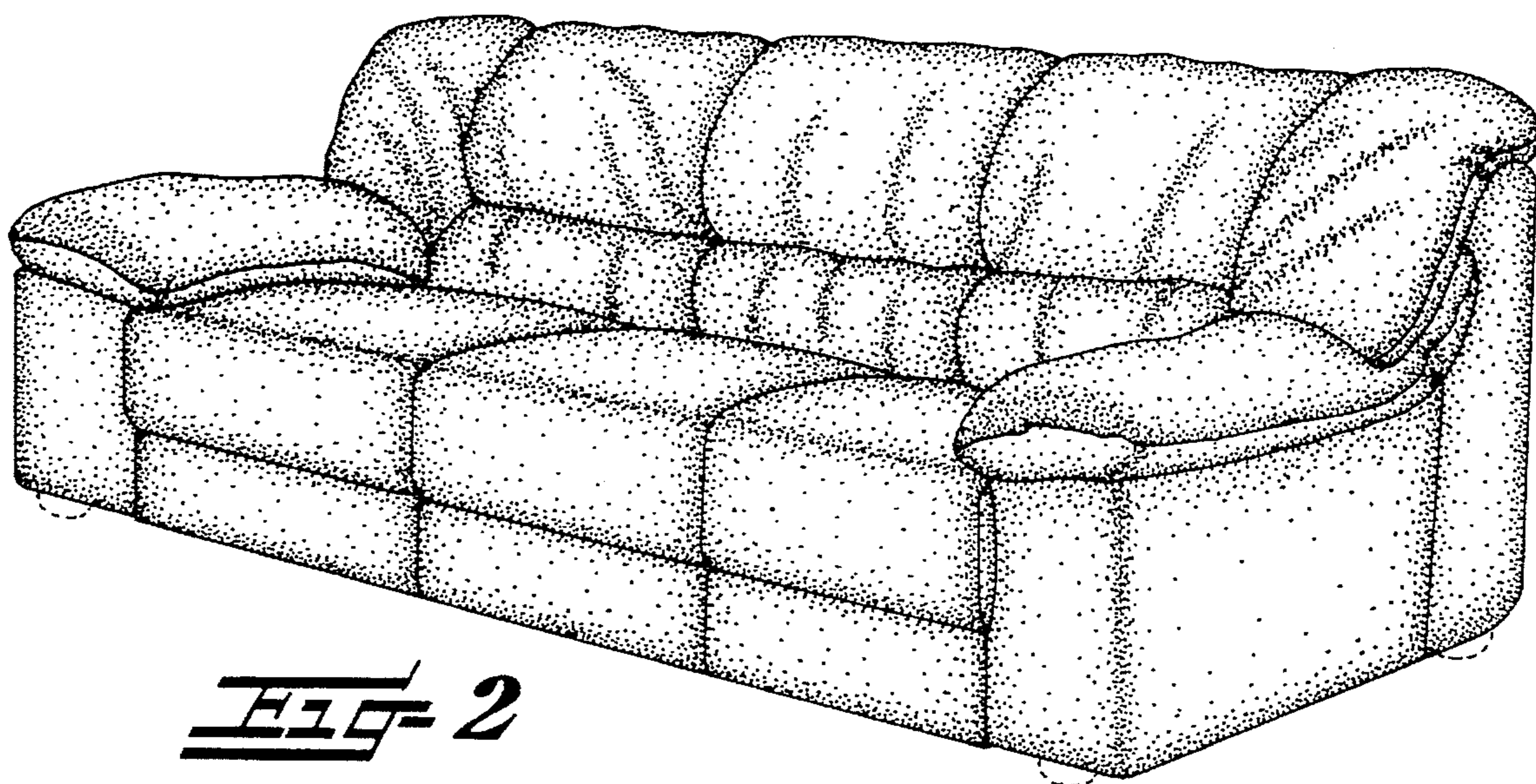


FIG-2

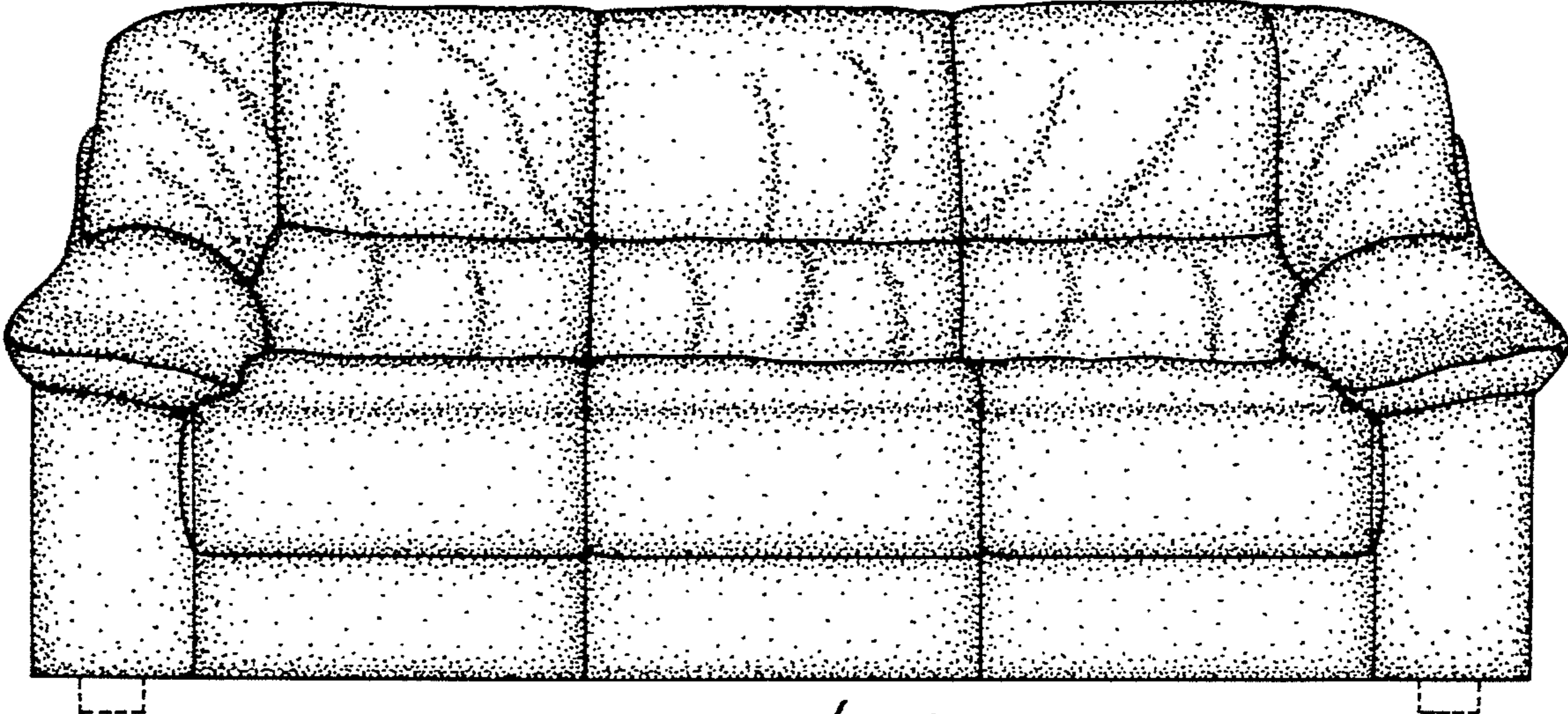


FIG. 3

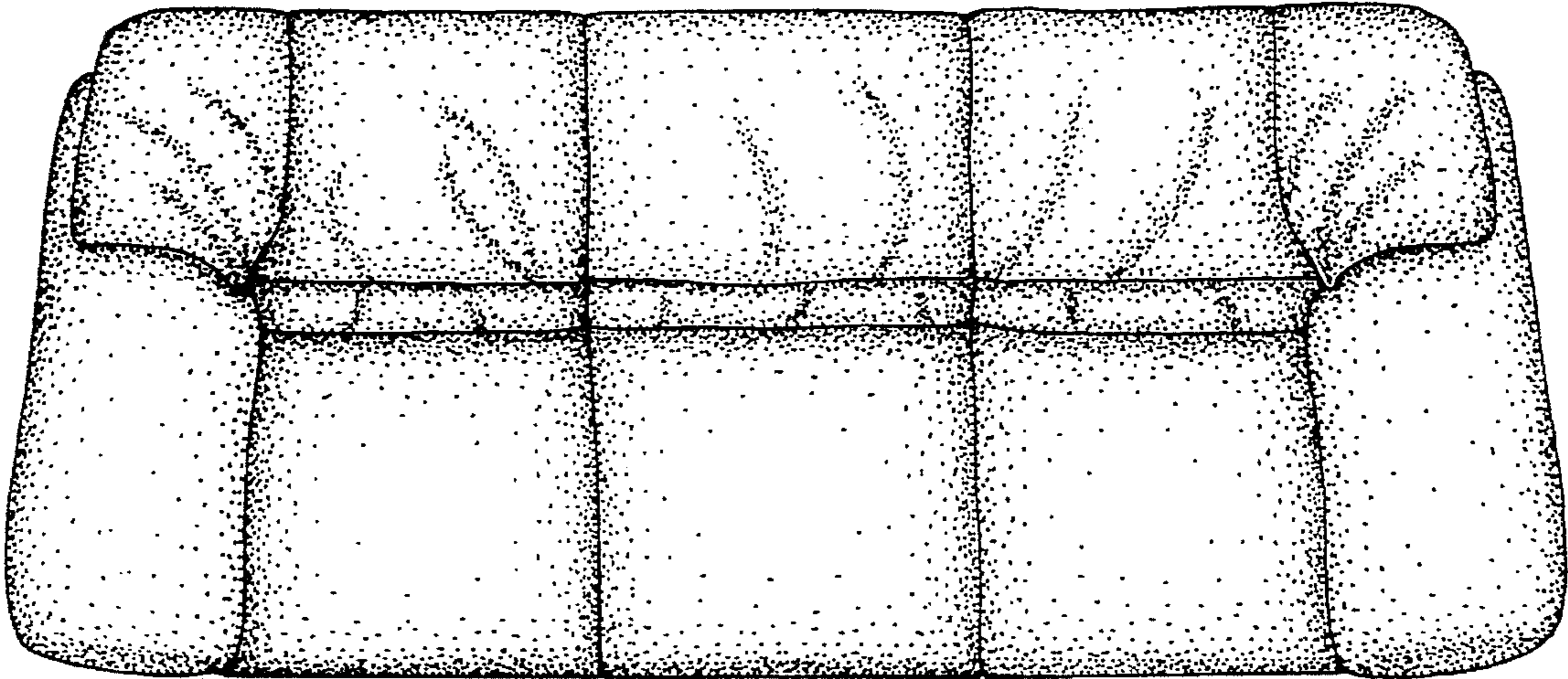


FIG. 4

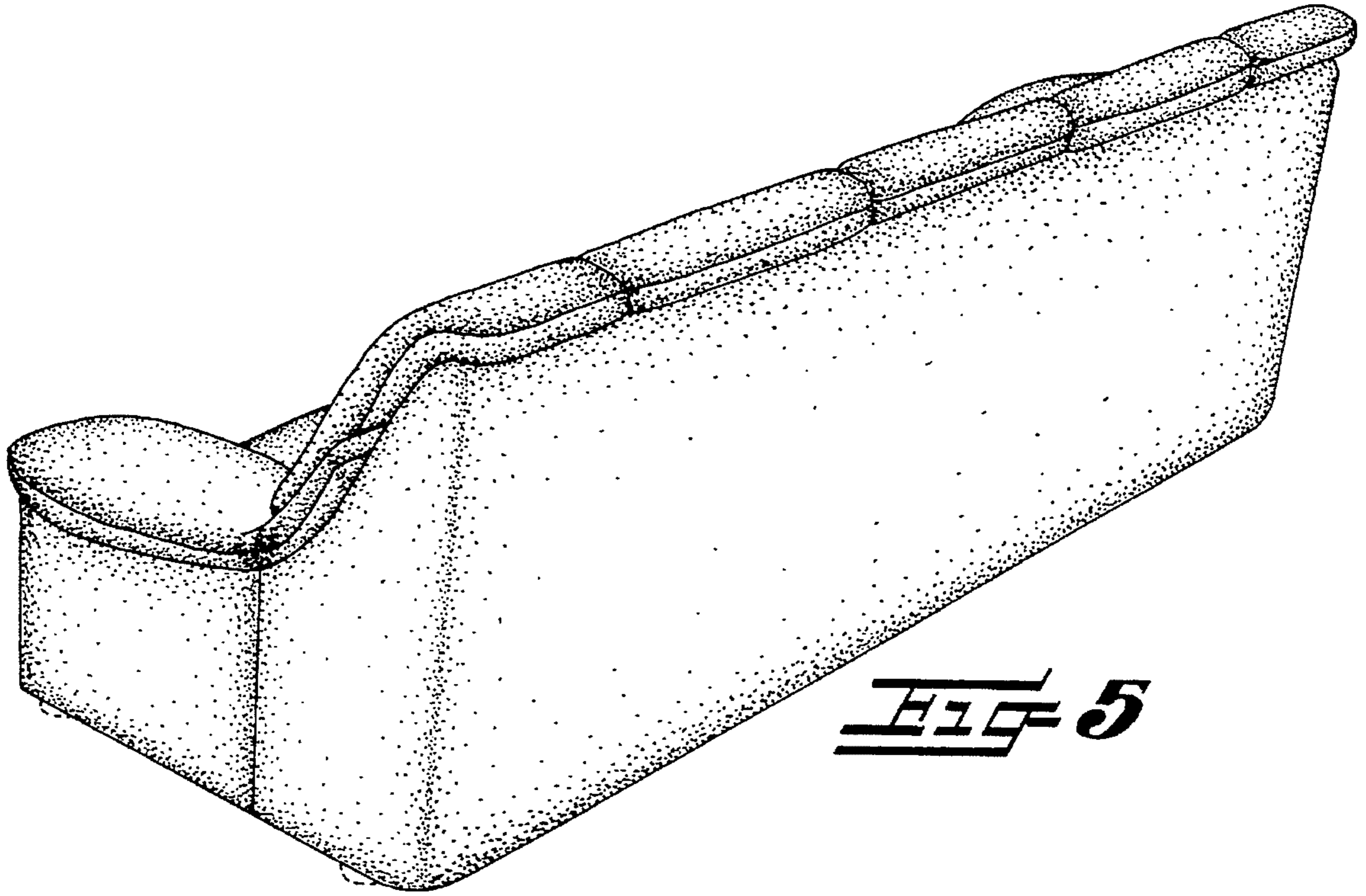


FIG. 5

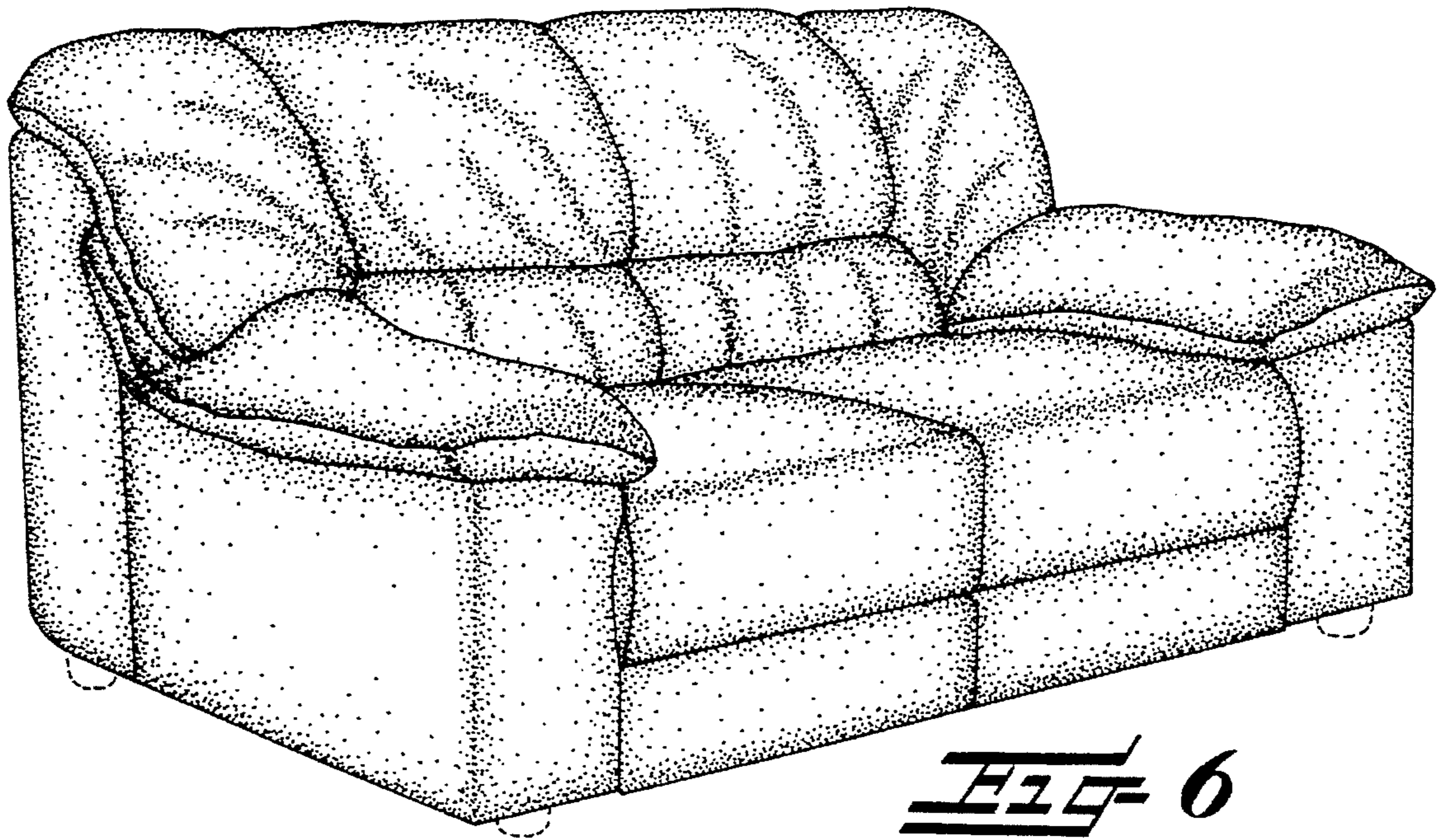


FIG. 6

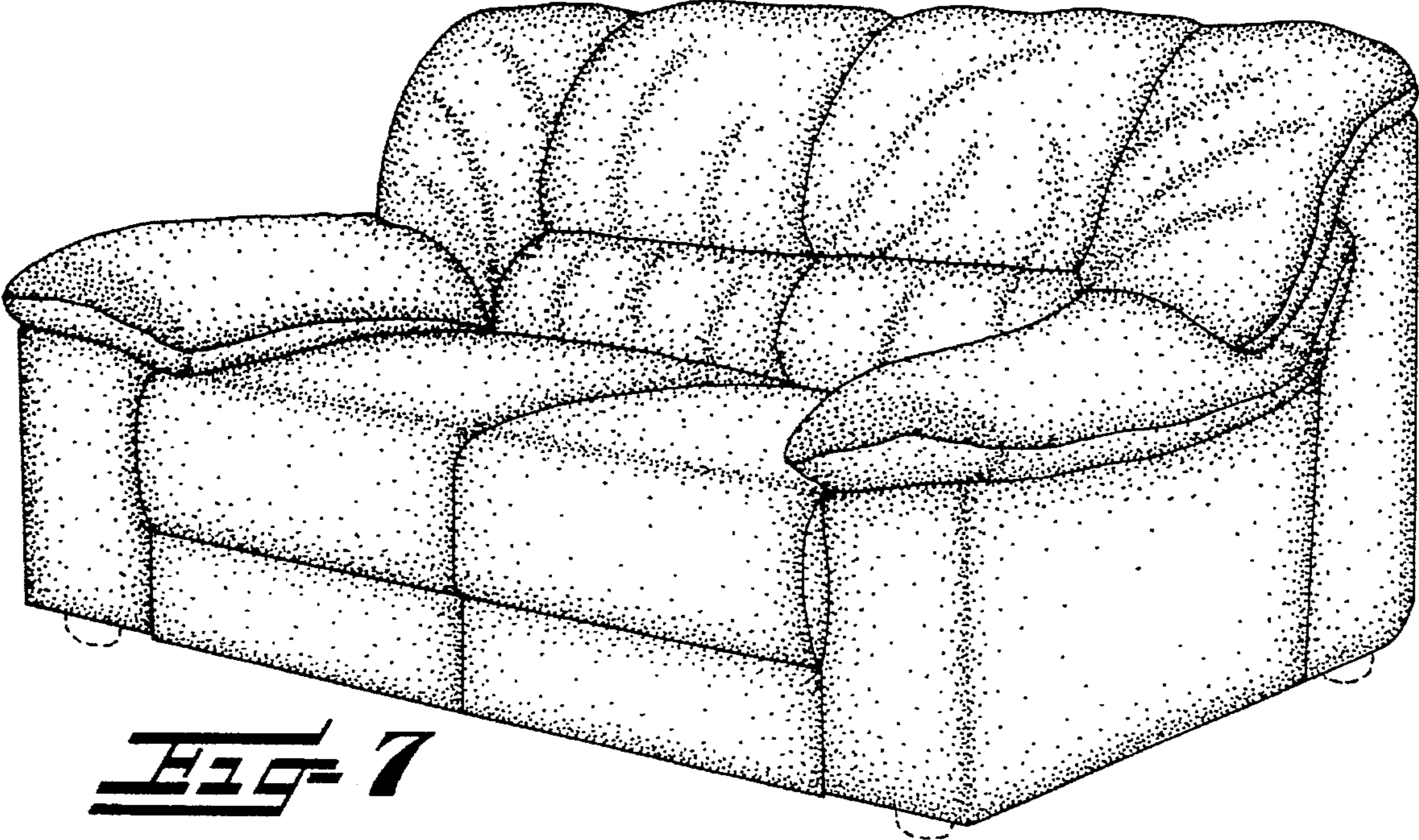


FIG. 7

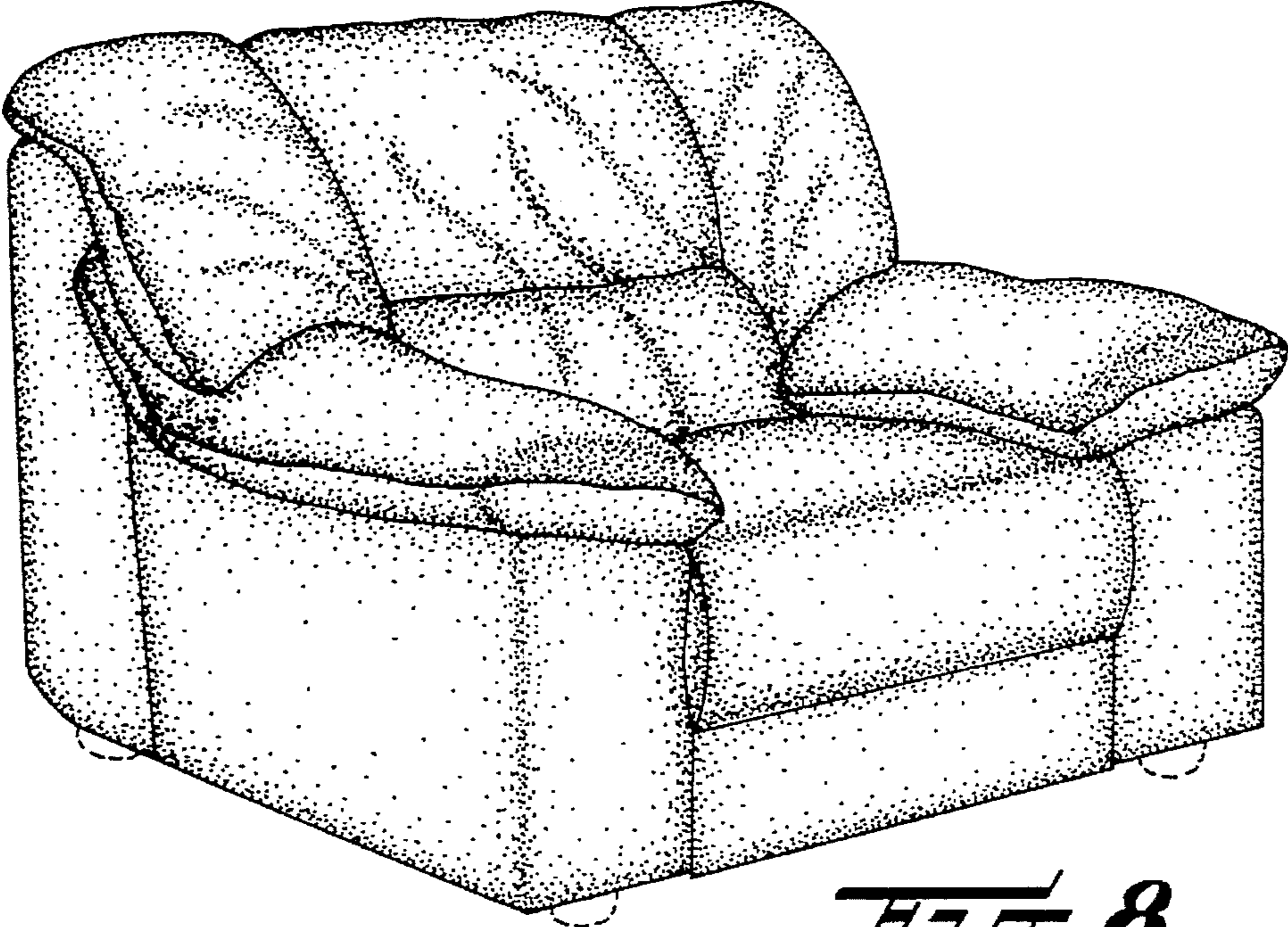


FIG. 8

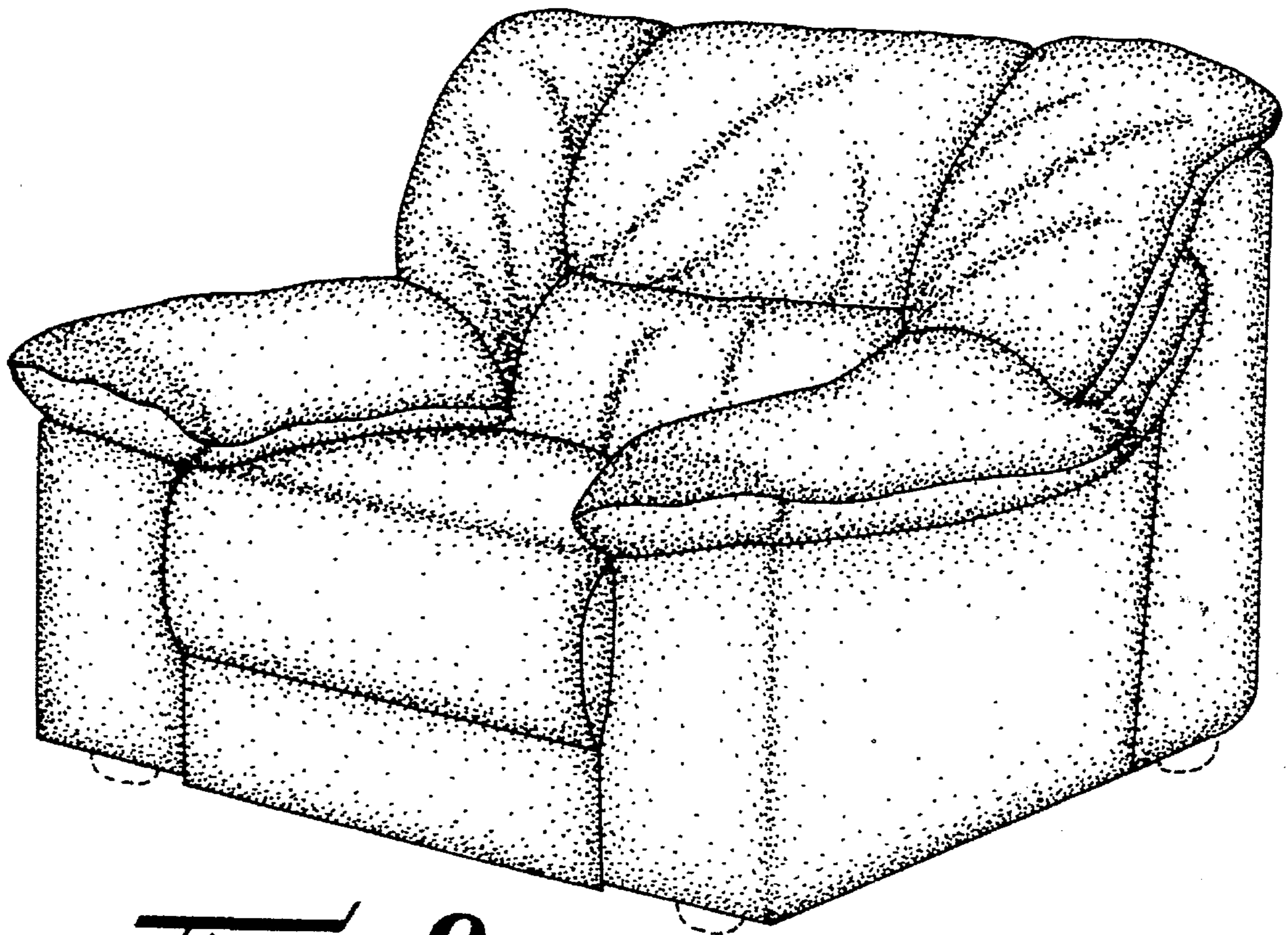


FIG. 9