



US00D366364S

# United States Patent [19] Pollock

[11] Patent Number: **Des. 366,364**

[45] Date of Patent: **\*\*Jan. 23, 1996**

[54] **AMMUNITION CARRIER TUBE**

4,509,401 4/1985 Pollock ..... 86/48

4,693,167 9/1987 Bagwell, Jr. .... 89/35.01

4,854,490 8/1989 Bieber ..... 224/202

[75] Inventor: **Stephen Pollock**, Tallahassee, Fla.

[73] Assignee: **Syn-Tech Systems, Inc.**, Tallahassee, Fla.

*Primary Examiner*—Louis S. Zarfes  
*Assistant Examiner*—Catherine R. Oliver  
*Attorney, Agent, or Firm*—Dowell & Dowell

[\*\*] Term: **14 Years**

[57] **CLAIM**

[21] Appl. No.: **18,229**

The ornamental design for a ammunition carrier tube, as shown and described.

[22] Filed: **Feb. 2, 1994**

[52] U.S. Cl. .... **D3/316; D22/108**

**DESCRIPTION**

[58] **Field of Search** ..... D3/316; D22/108,  
D22/116; 224/223, 239, 202; 89/35, 35.01;  
206/443, 150, 446, 460, 813, 820

FIG. 1 is a front perspective view of a ammunition carrier tube showing my new design and further showing in dotted line, for illustrational purposes only, the manner in which the carrier is attached to adjacent carriers;

FIG. 2 is a front perspective view of a ammunition carrier tube showing my new design;

FIG. 3 is a left side view thereof, of which view taken from the top, bottom, right side would be the same;

FIG. 4 is a front elevational view thereof;

FIG. 5 is a rear elevational view thereof; and,

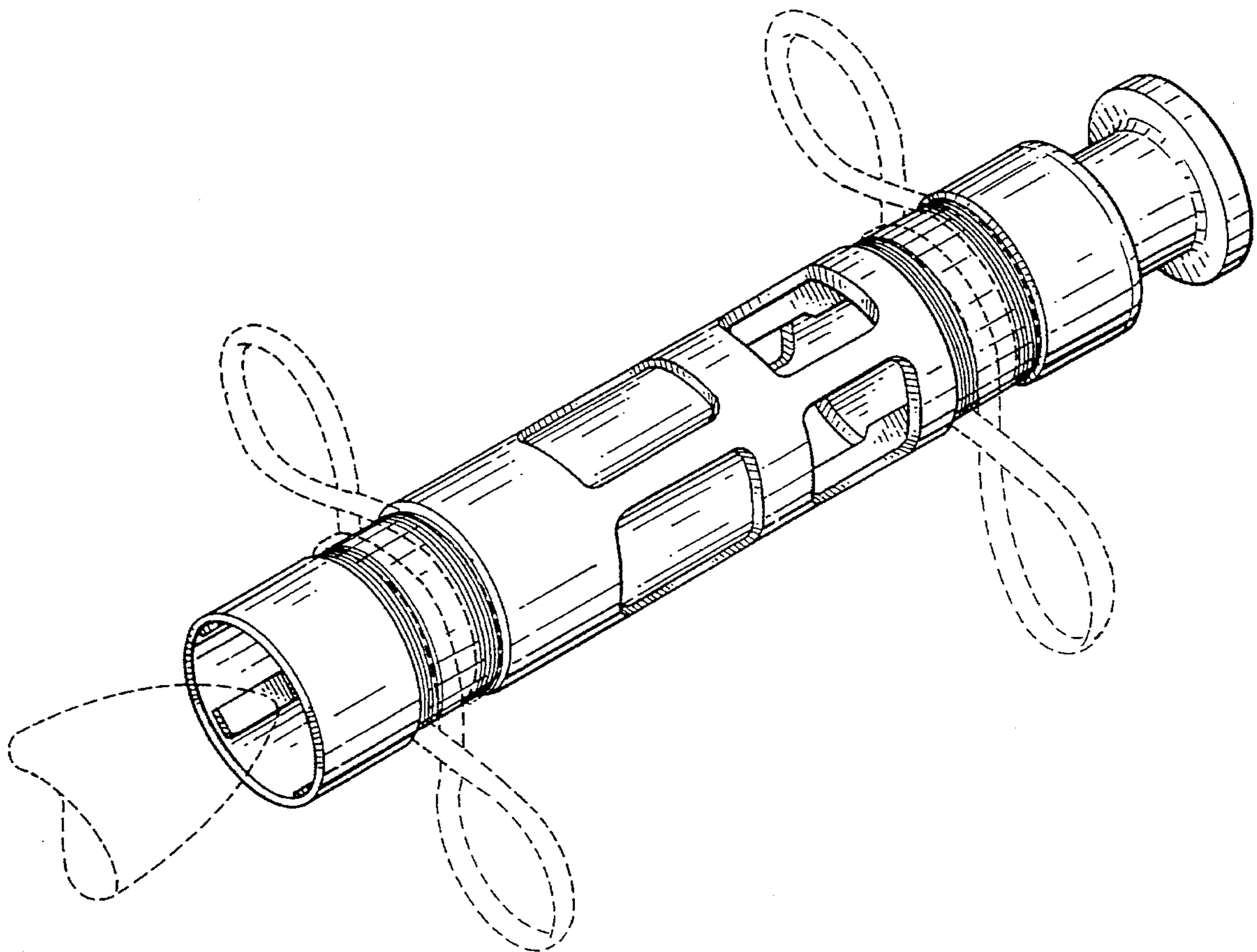
FIG. 6 is a cross sectional view thereof taken along line 3—3 of FIG. 4.

[56] **References Cited**

**U.S. PATENT DOCUMENTS**

D. 296,615	7/1988	McCoy	.....	D22/108
2,373,288	4/1945	Becker	.....	89/35.01 X
2,600,492	6/1952	Dixon	.....	89/35.01 X
2,708,390	5/1955	Darsie	.....	89/35.01 X
2,915,947	12/1959	Heeley	.....	89/35.01 X
2,947,222	8/1960	Bilek et al.	.....	89/35.01 X
4,137,821	2/1979	Benedict	.....	89/35.01
4,385,696	5/1983	Benedict et al.	.....	206/443

**1 Claim, 4 Drawing Sheets**



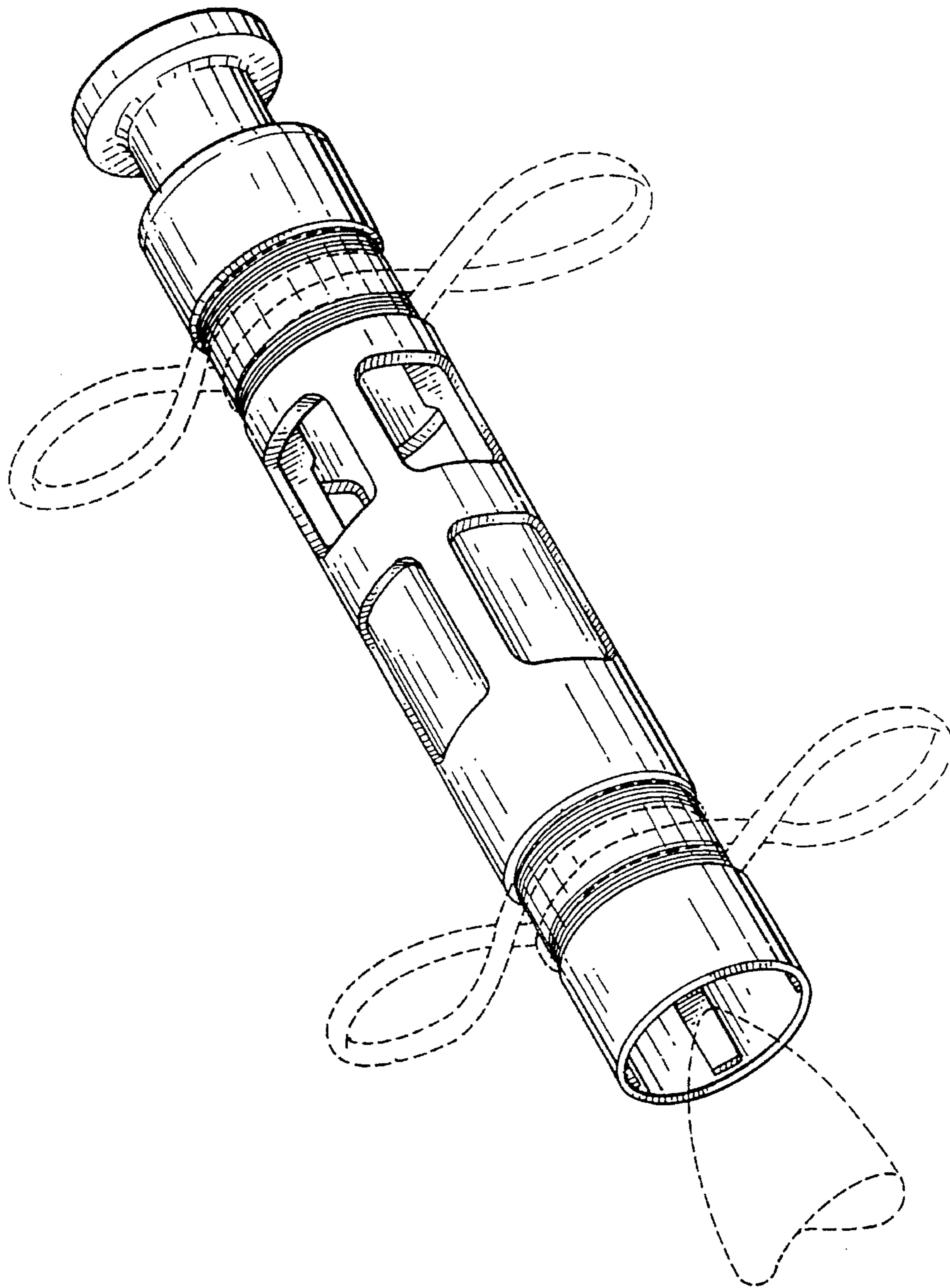


FIG. 1

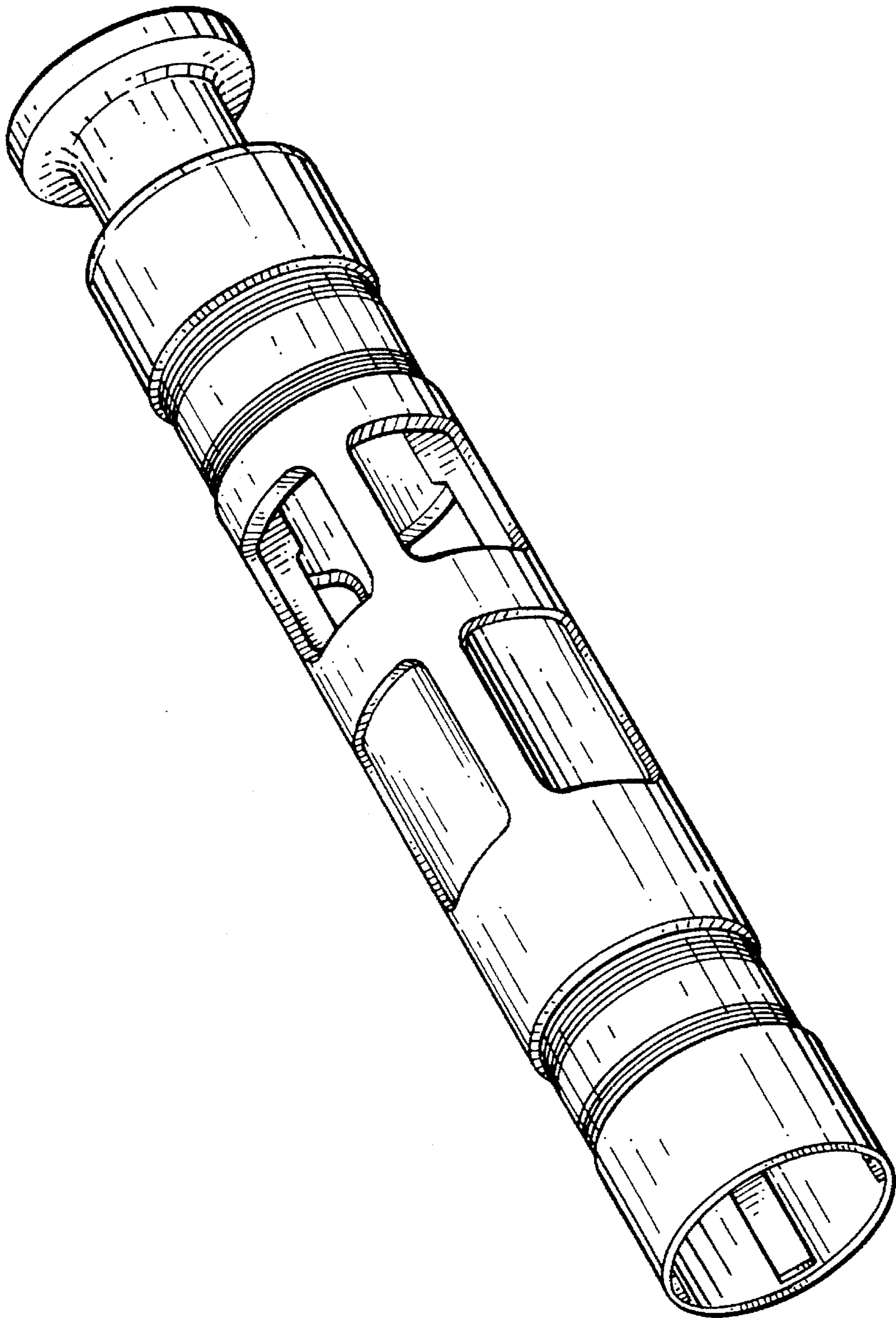


FIG. 2



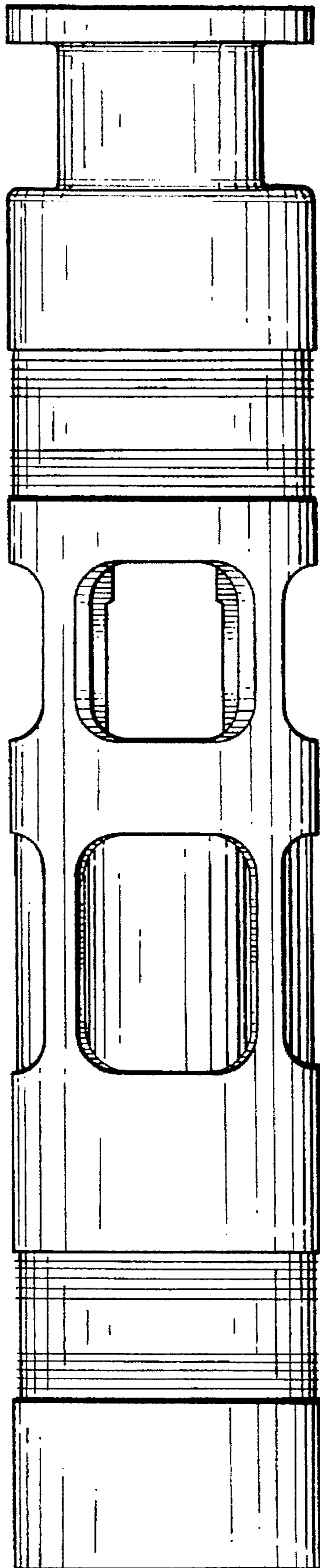


FIG. 3

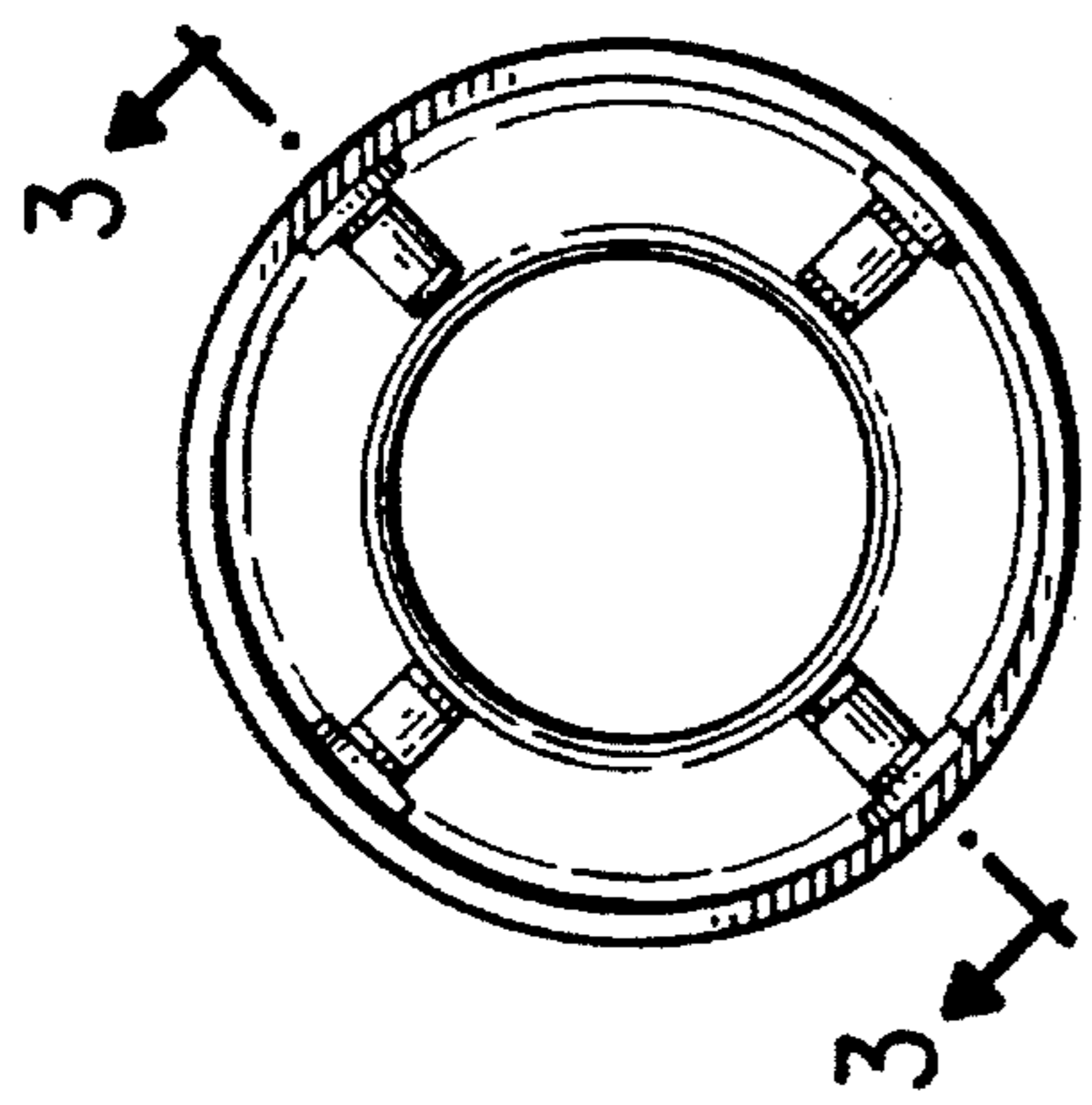


FIG. 4

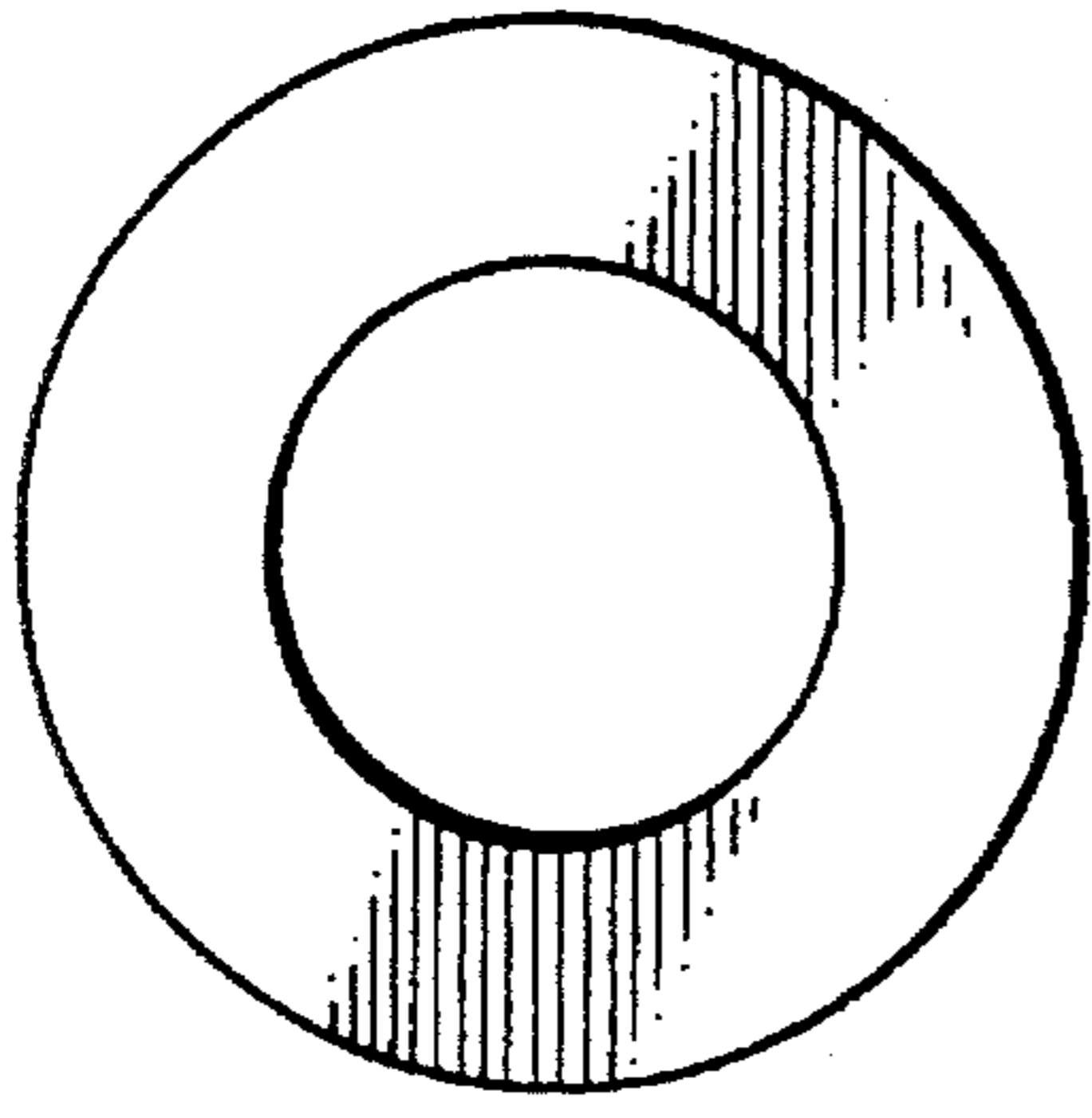


FIG. 5

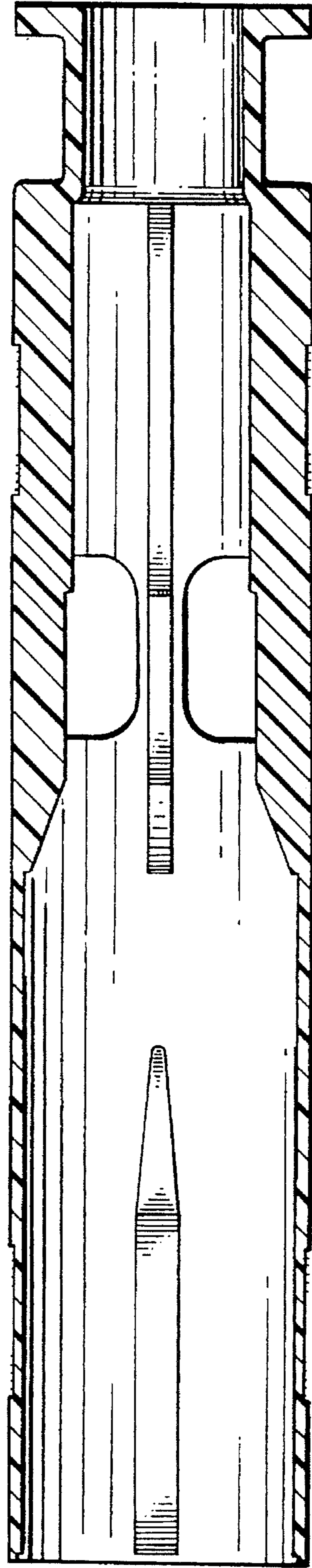


FIG. 6