



US00D366361S

United States Patent [19]

[11] **Patent Number: Des. 366,361**

Kanner et al.

[45] **Date of Patent: **Jan. 23, 1996**

[54] **CONTACT LENS CASE**

Primary Examiner—Prabhakar G. Deshmukh

[75] Inventors: **Rowland W. Kanner**, Guntersville;
Stephen P. Lisak; **Terry B. Kehne**,
both of Arab, all of Ala.

Assistant Examiner—R. Barkai

Attorney, Agent, or Firm—Trexler, Bushnell, Giangiorgi &
Blackstone, Ltd.

[73] Assignee: **Ryder International Corporation**,
Arab, Ala.

[57] **CLAIM**

The ornamental design for a contact lens case, as shown and
described.

[**] Term: **14 Years**

DESCRIPTION

[21] Appl. No.: **25,429**

FIG. 1 is a perspective view of a contact lens case showing
our new design;

[22] Filed: **Jul. 1, 1994**

FIG. 2 is a side elevational view thereof;

Related U.S. Application Data

FIG. 3 is a side elevational view of the side opposite the side
shown in FIG. 2;

[62] Division of Ser. No. 9,753, Jun. 18, 1993, Pat. No. Des.
356,591, which is a continuation of Ser. No. 13,812, Feb. 2,
1993, abandoned.

FIG. 4 is a front elevational view thereof;

[52] U.S. Cl. **D3/264**

FIG. 5 is a rear elevational view thereof;

[58] **Field of Search** D16/331; D3/263,
D3/264-266, 201; D7/509, 538, 510, 511,
523; D9/500, 503, 504; 206/5, 5.1, 316.1;
220/669, 670, 673, 675

FIG. 6 is a top plan view thereof;

FIG. 7 is a bottom plan view thereof;

FIG. 8 is a perspective view of the integral cap and lens
support structure of the contact lens case shown in FIGS.
1-7;

FIG. 9 is a top plan view thereof;

FIG. 10 is a front elevational view thereof;

FIG. 11 is a rear elevational view thereof;

FIG. 12 is a side elevational view thereof;

FIG. 13 is a side elevational view of the side opposite the
side shown in FIG. 12; and,

FIG. 14 is a bottom plan view thereof.

The separate showing of the integral cap and lens support
structure in FIGS. 8-14 is for ease of illustration only.

[56] **References Cited**

U.S. PATENT DOCUMENTS

D. 341,615	11/1993	Ifejika	D16/331
3,645,284	2/1972	Krezanoski et al.	206/5.1
4,890,729	1/1990	Ranalletta	206/5.1
5,186,317	2/1993	Ryder et al.	206/5.1
5,196,174	3/1993	Cerola et al.	206/5.1
5,270,002	12/1993	Neff, II et al.	206/5.1
5,366,078	11/1994	Braun	206/5.1
5,388,686	2/1995	Kanner	206/5.1

1 Claim, 5 Drawing Sheets

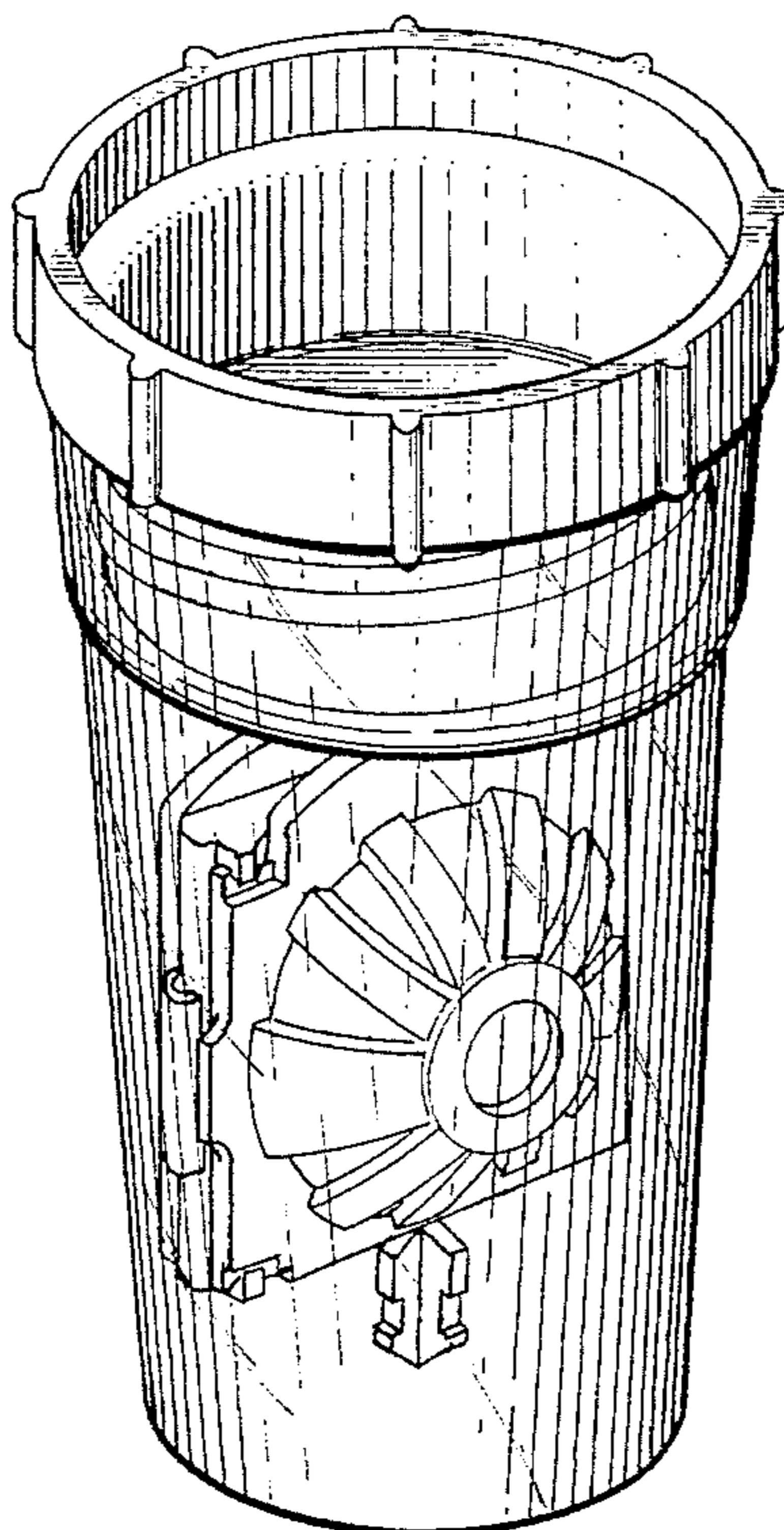


FIG. 1

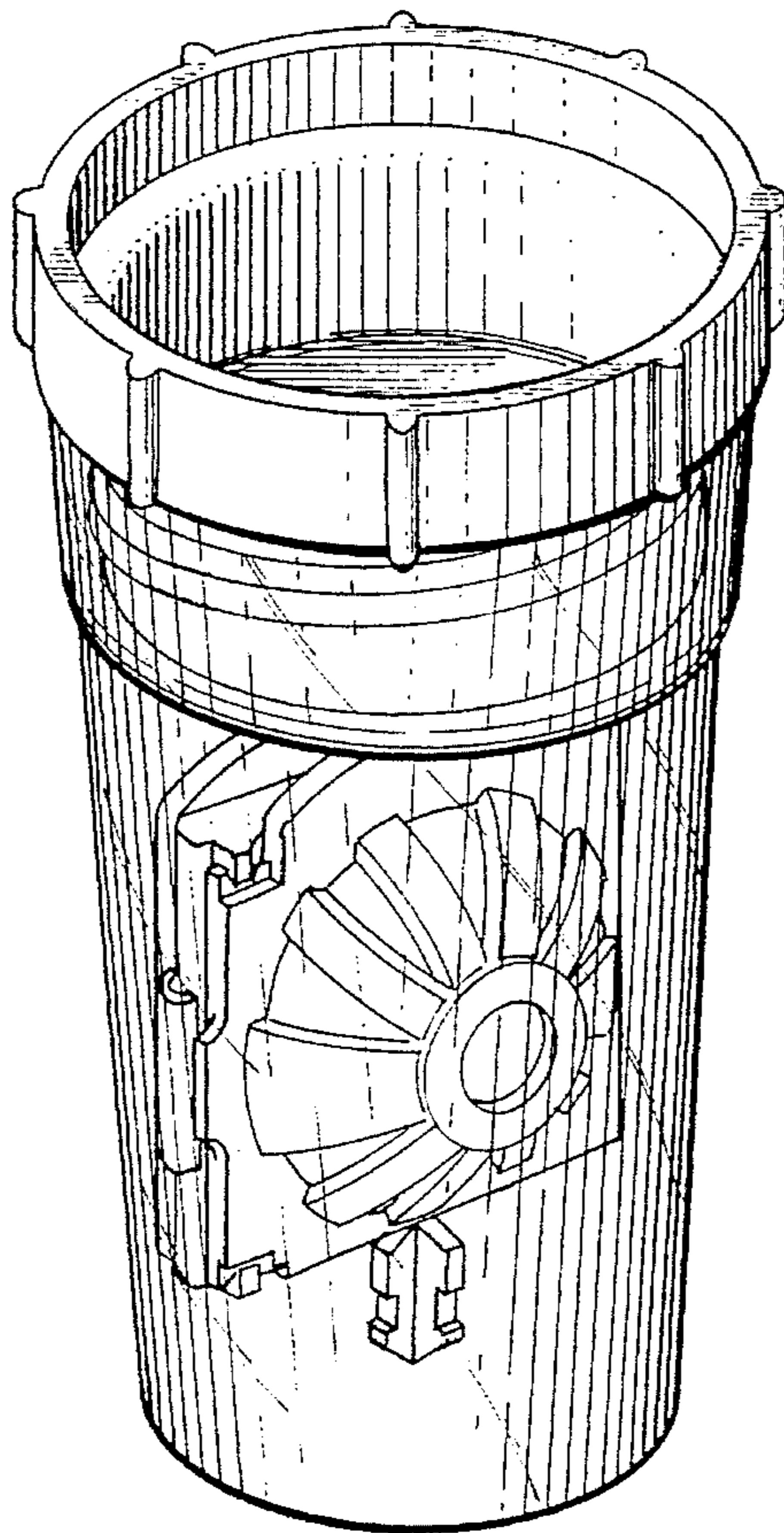


FIG. 2

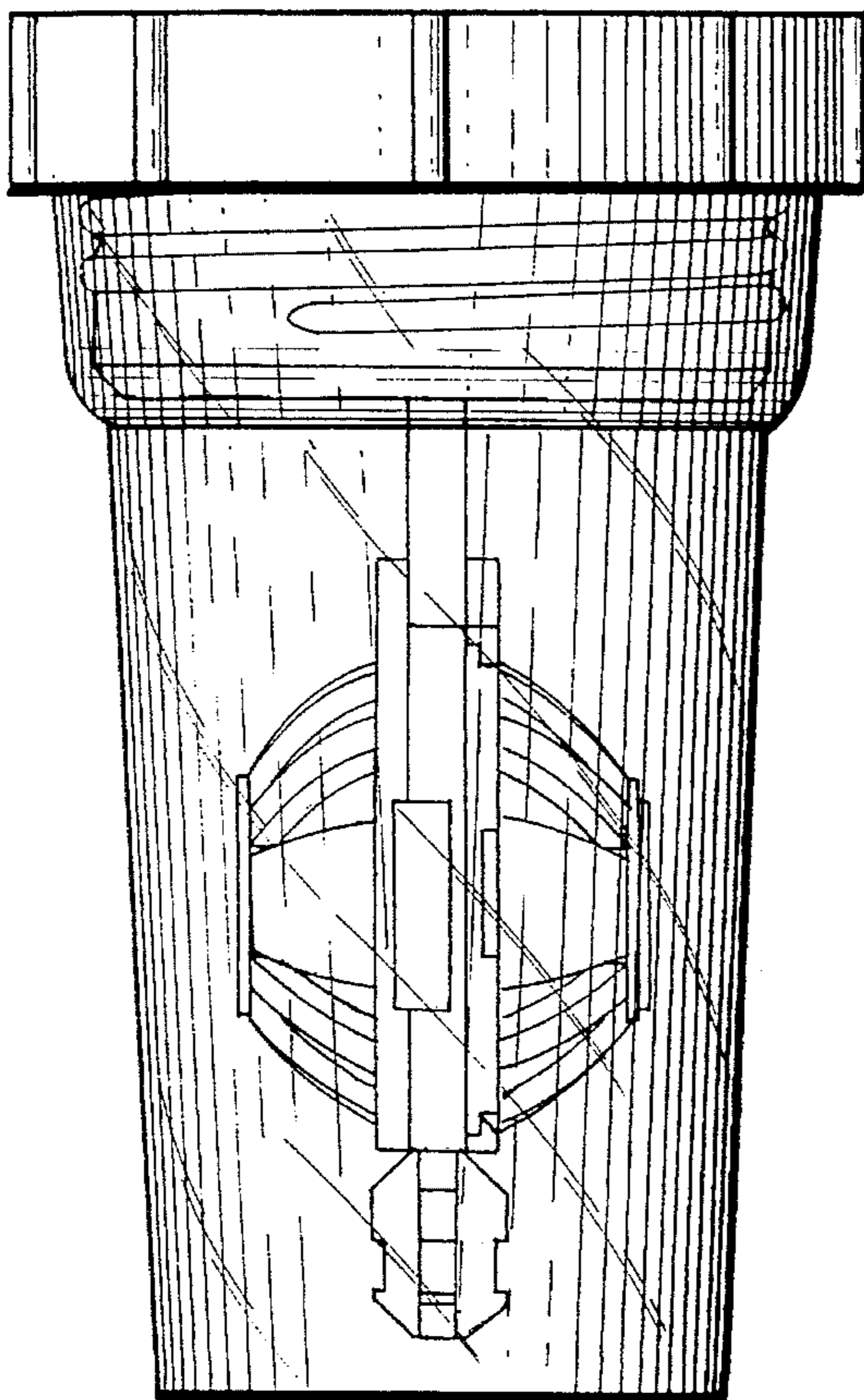


FIG. 3

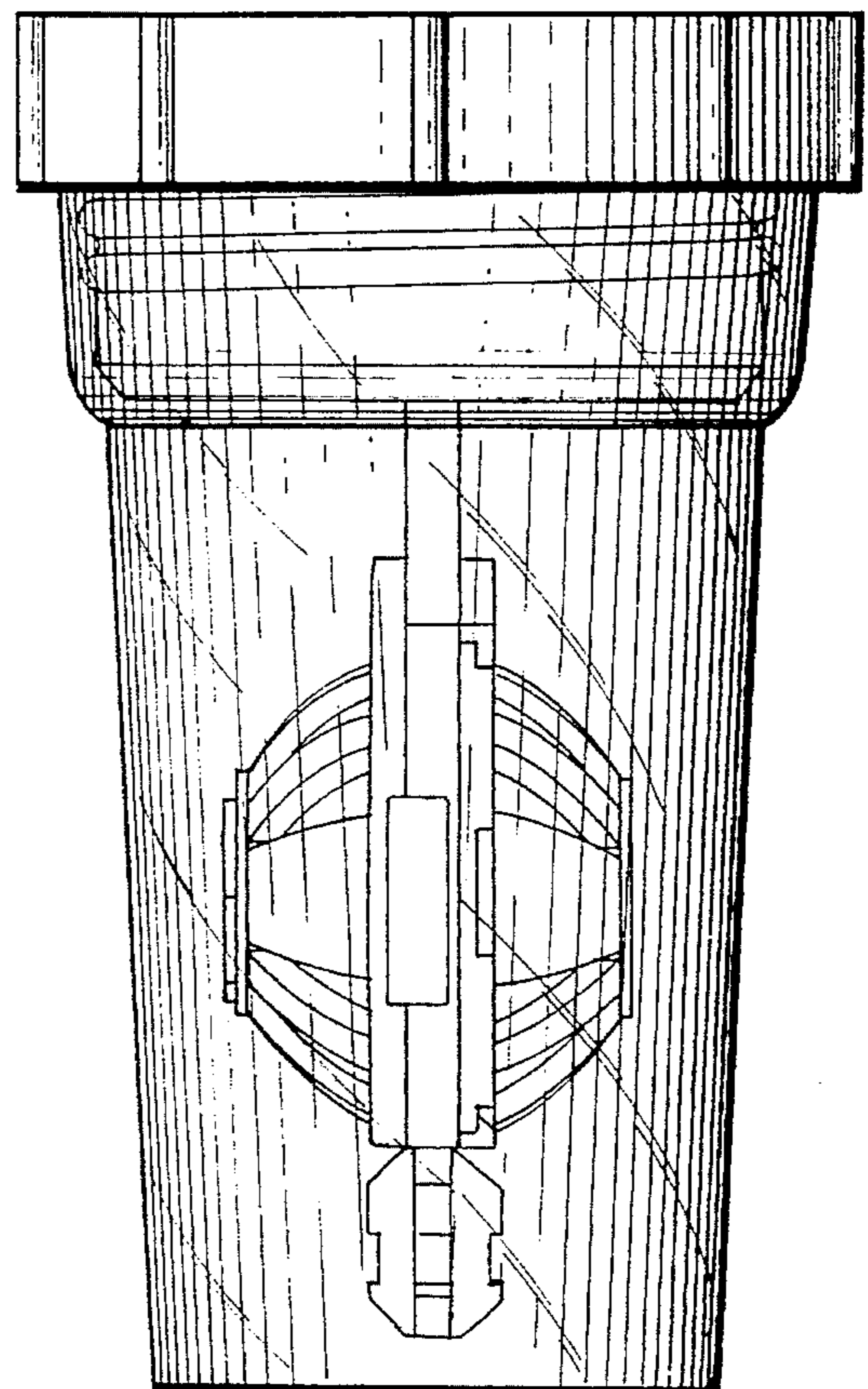


FIG. 4

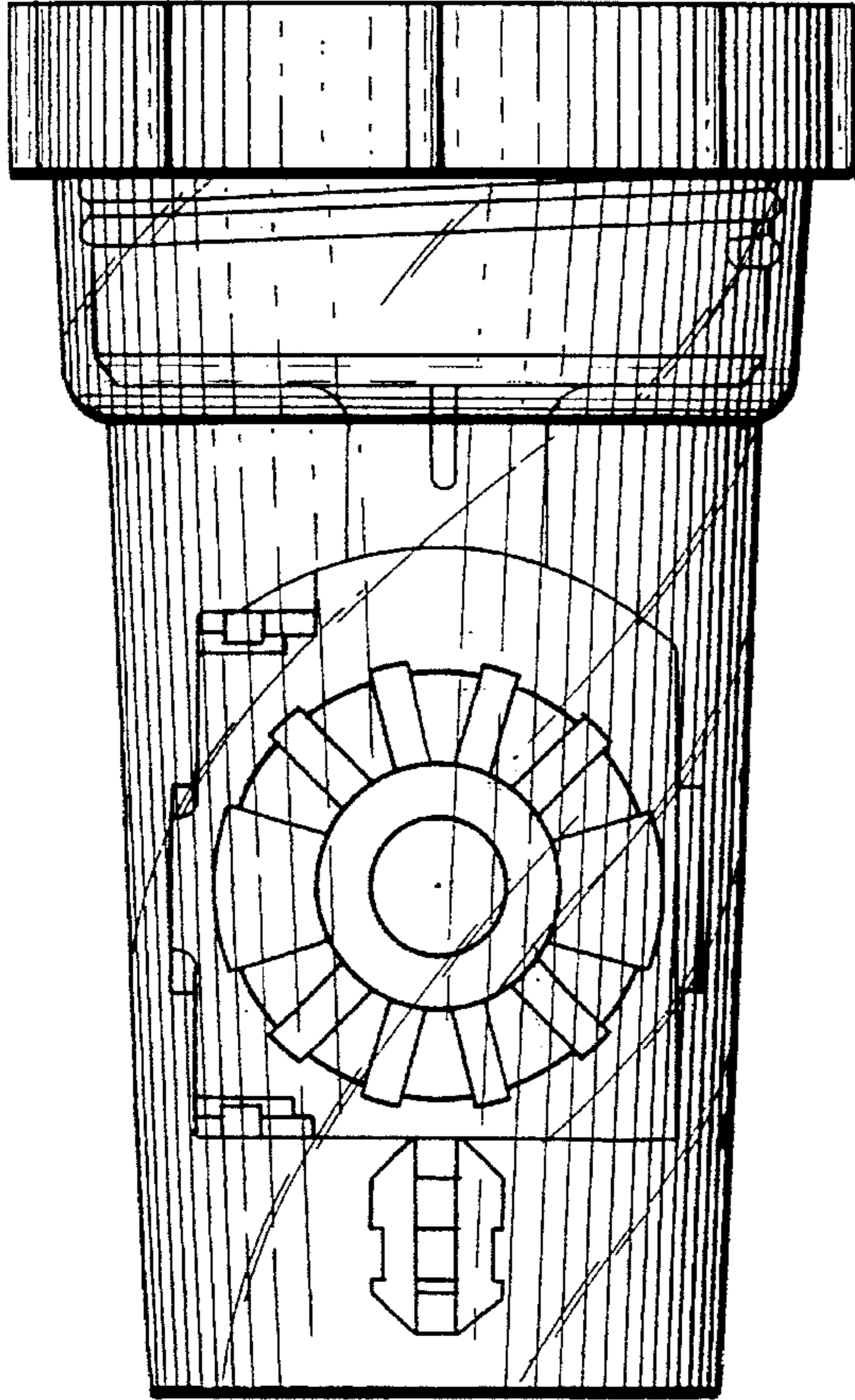


FIG. 5

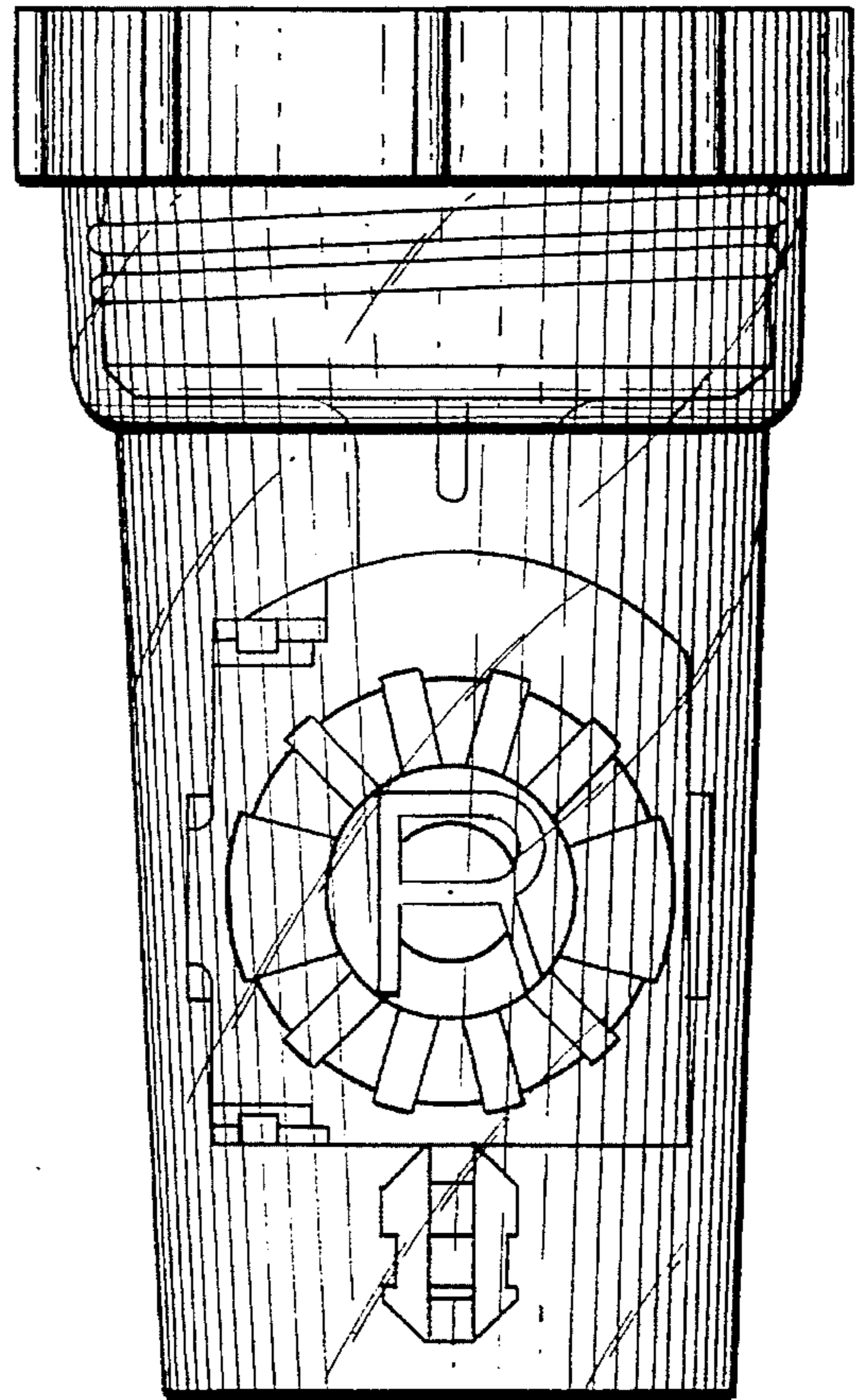


FIG. 6

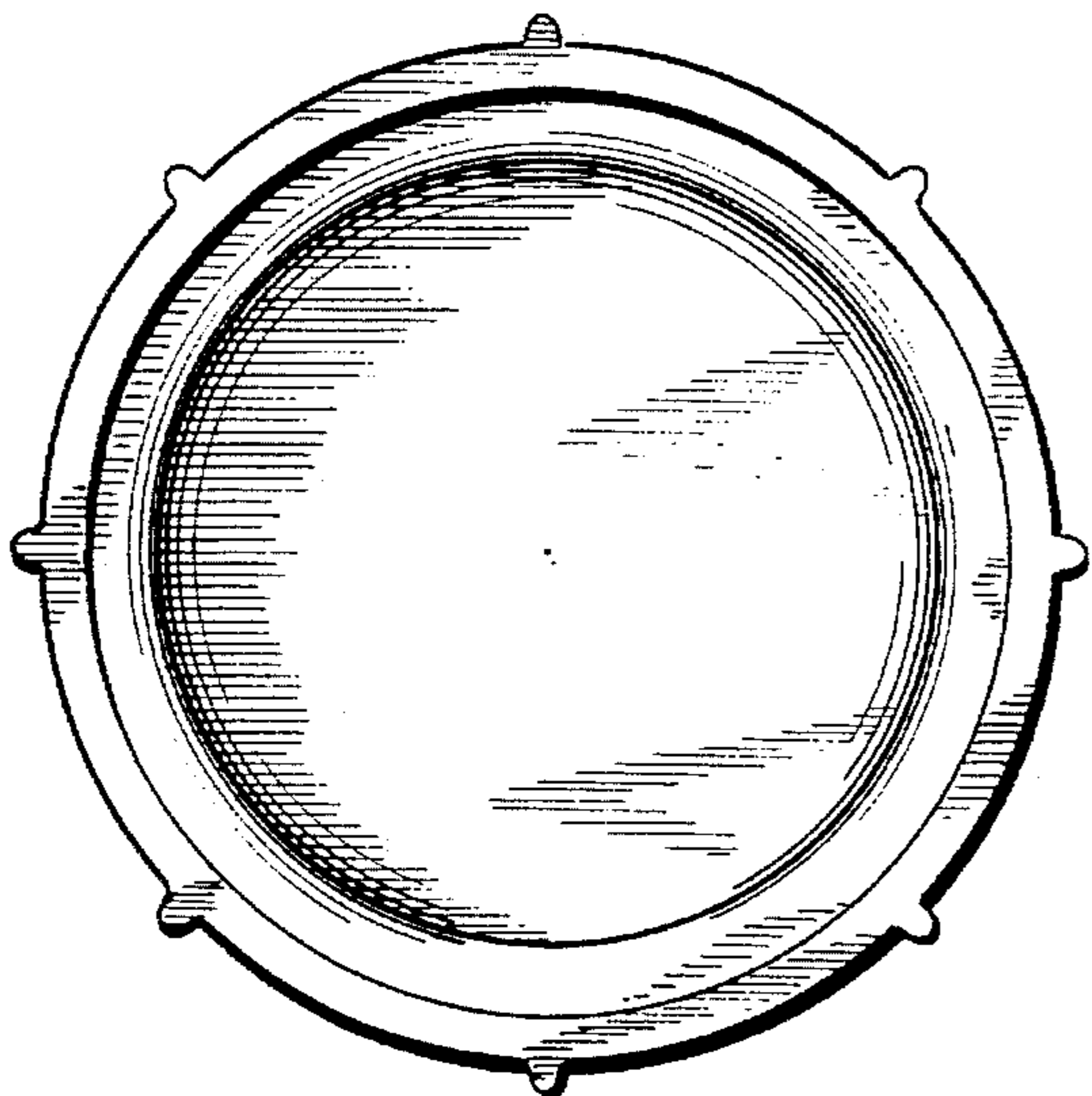


FIG. 7

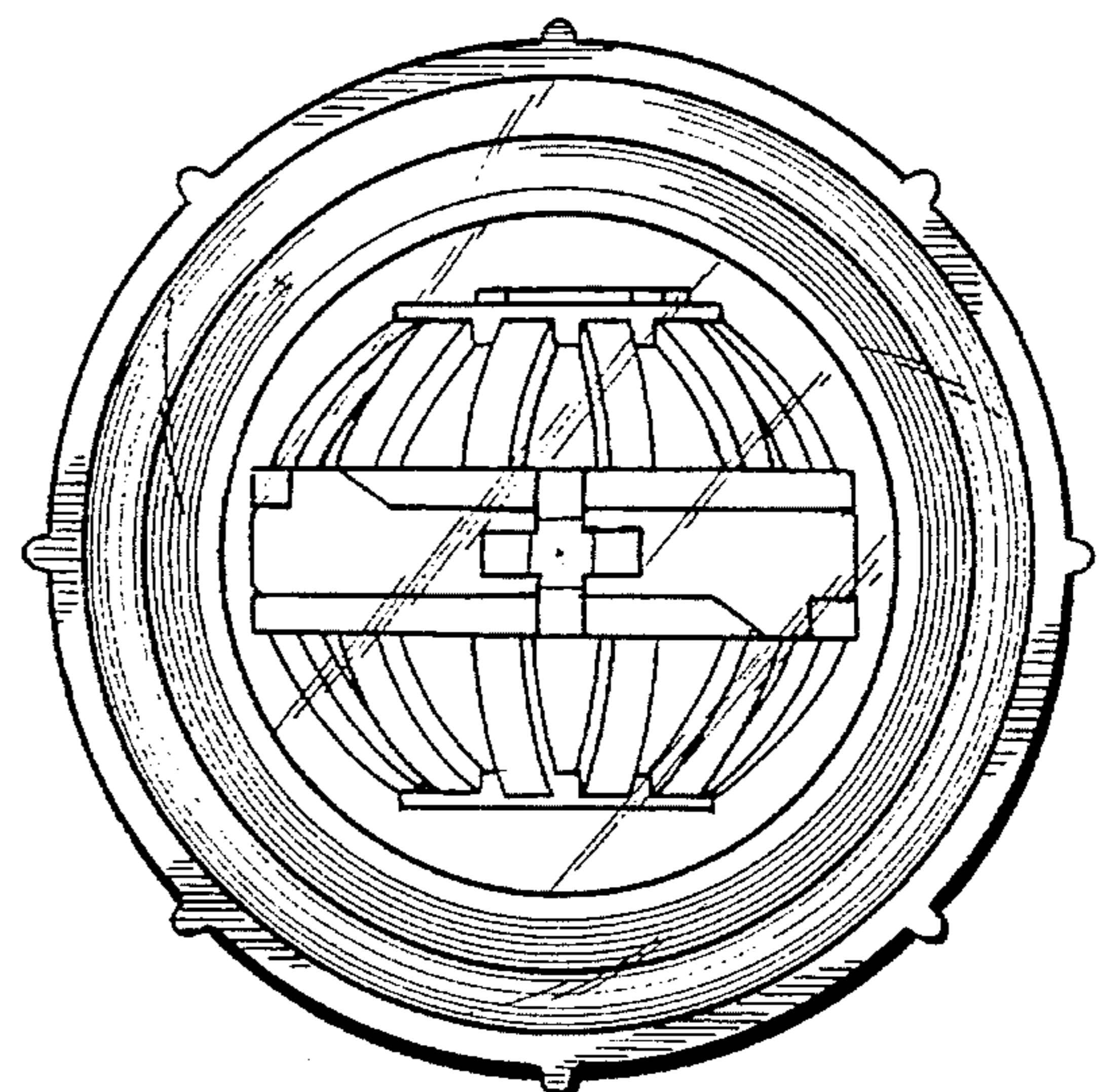


FIG. 8

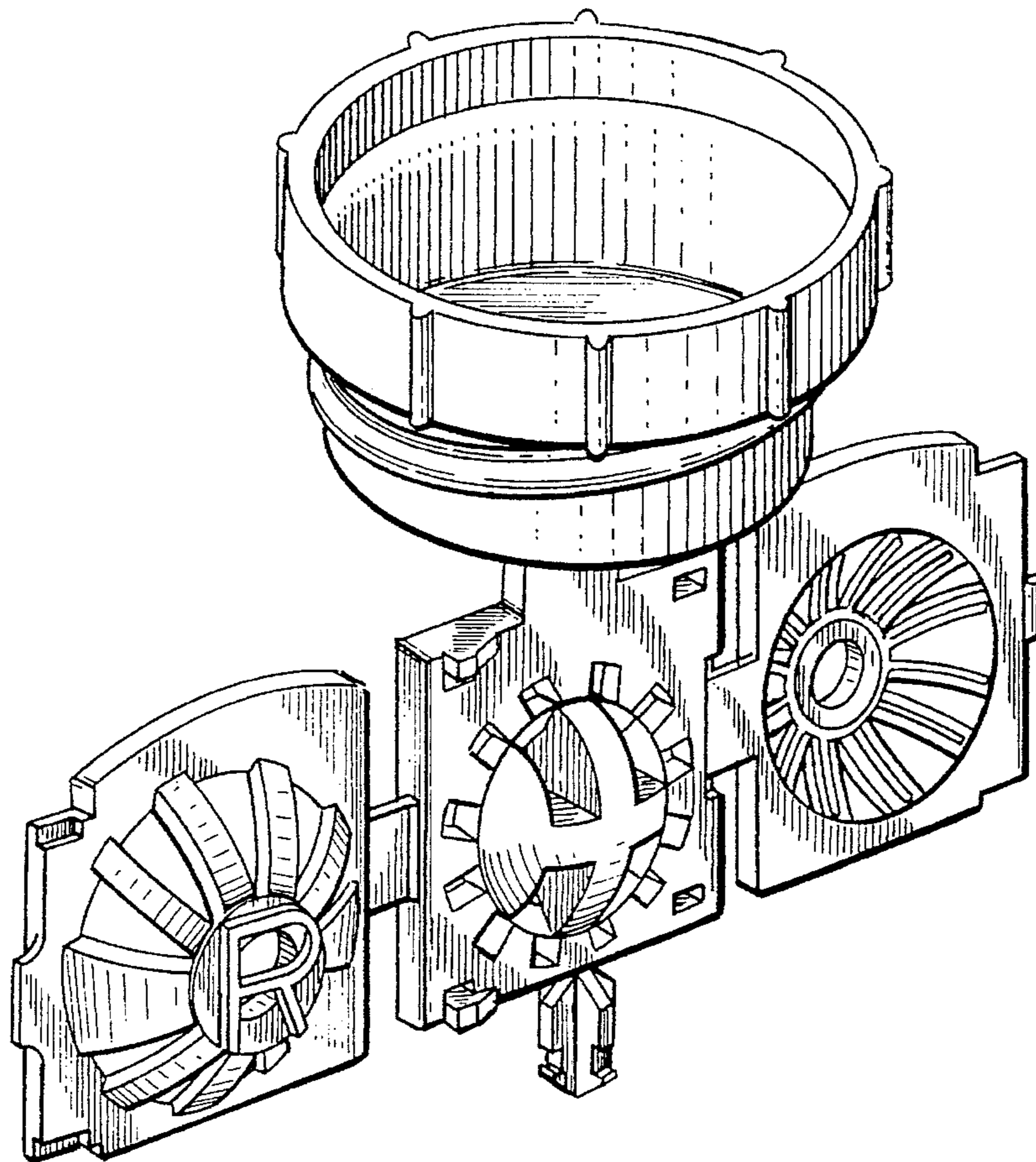


FIG. 9

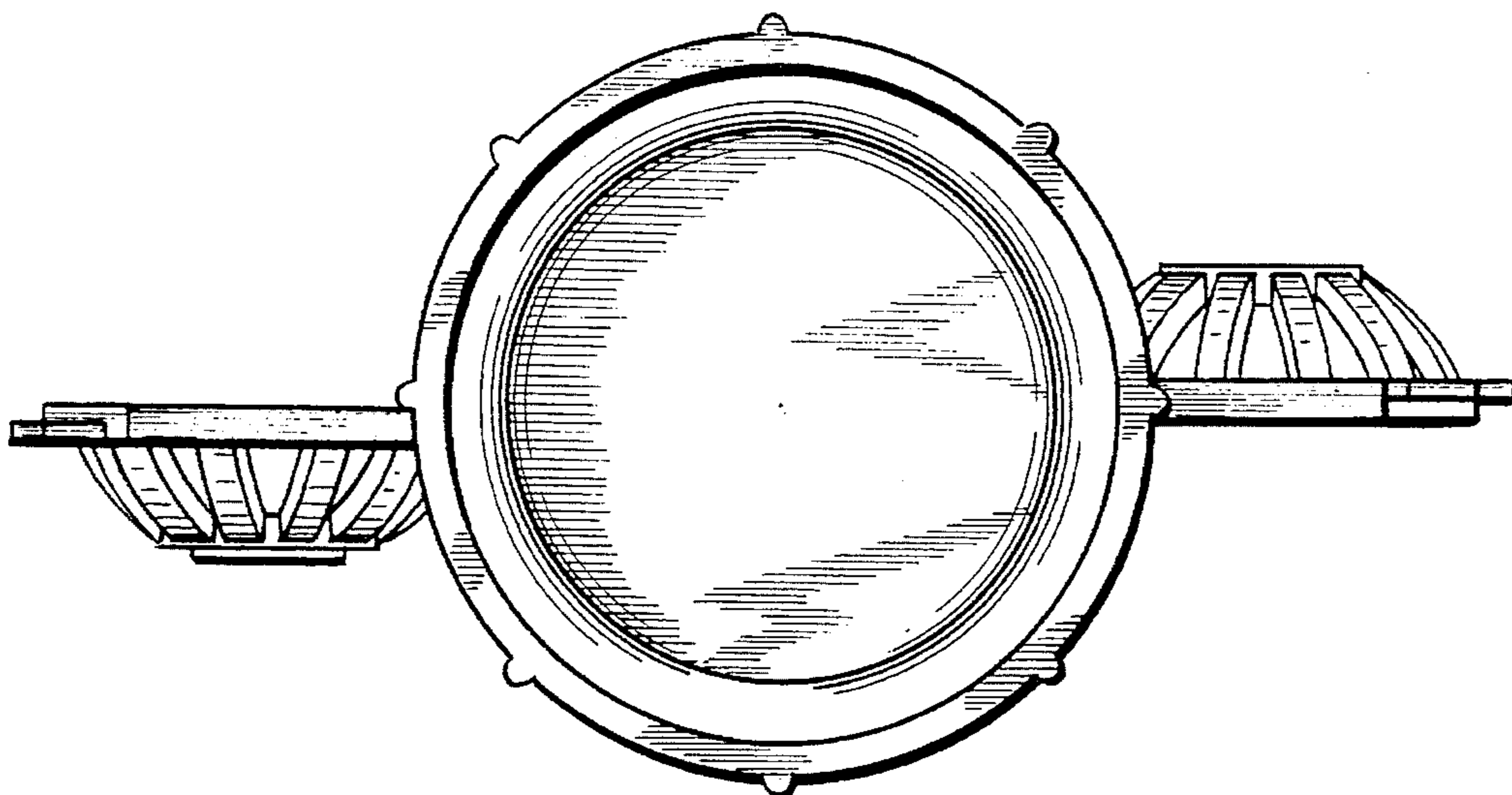


FIG. 10

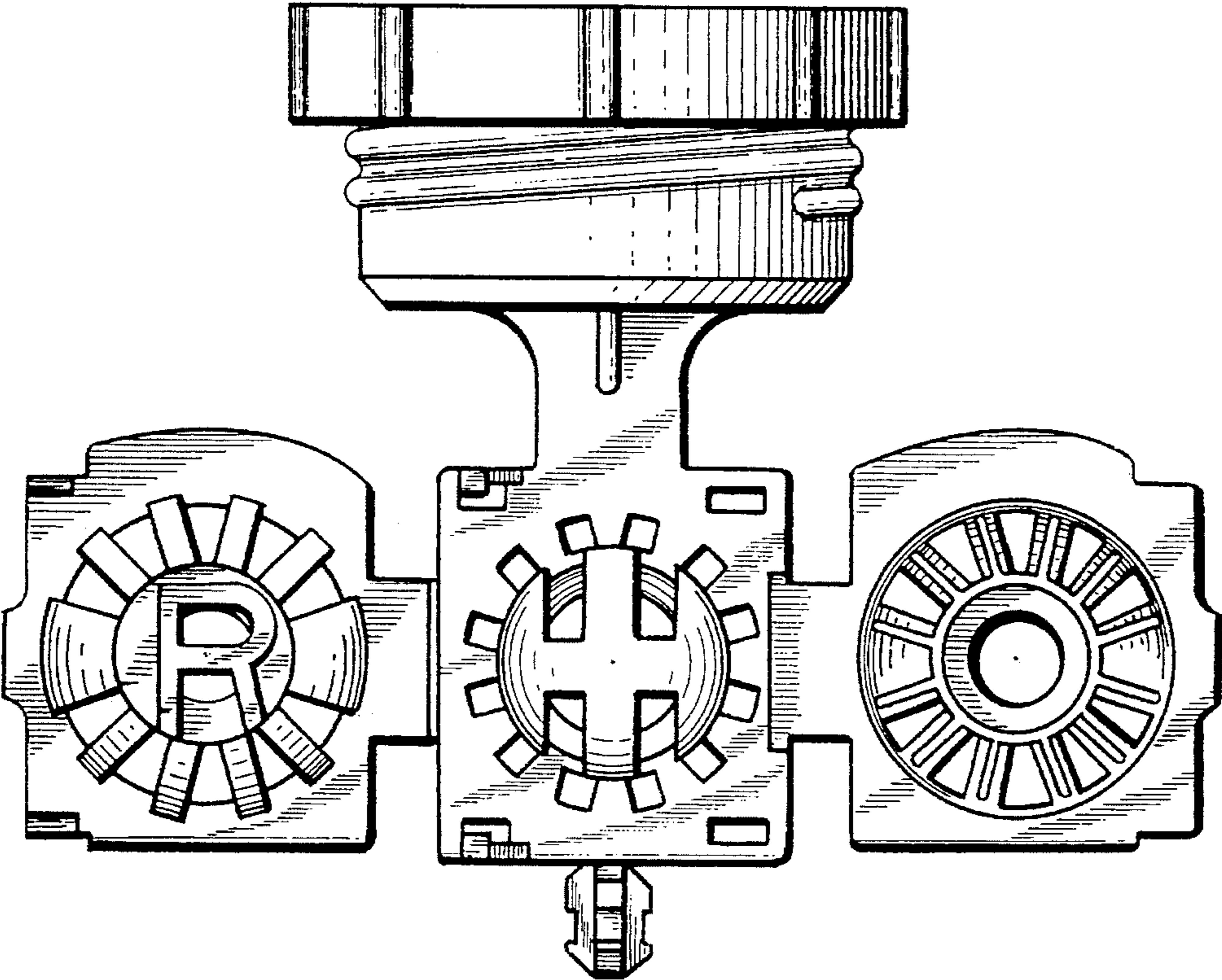


FIG. 11

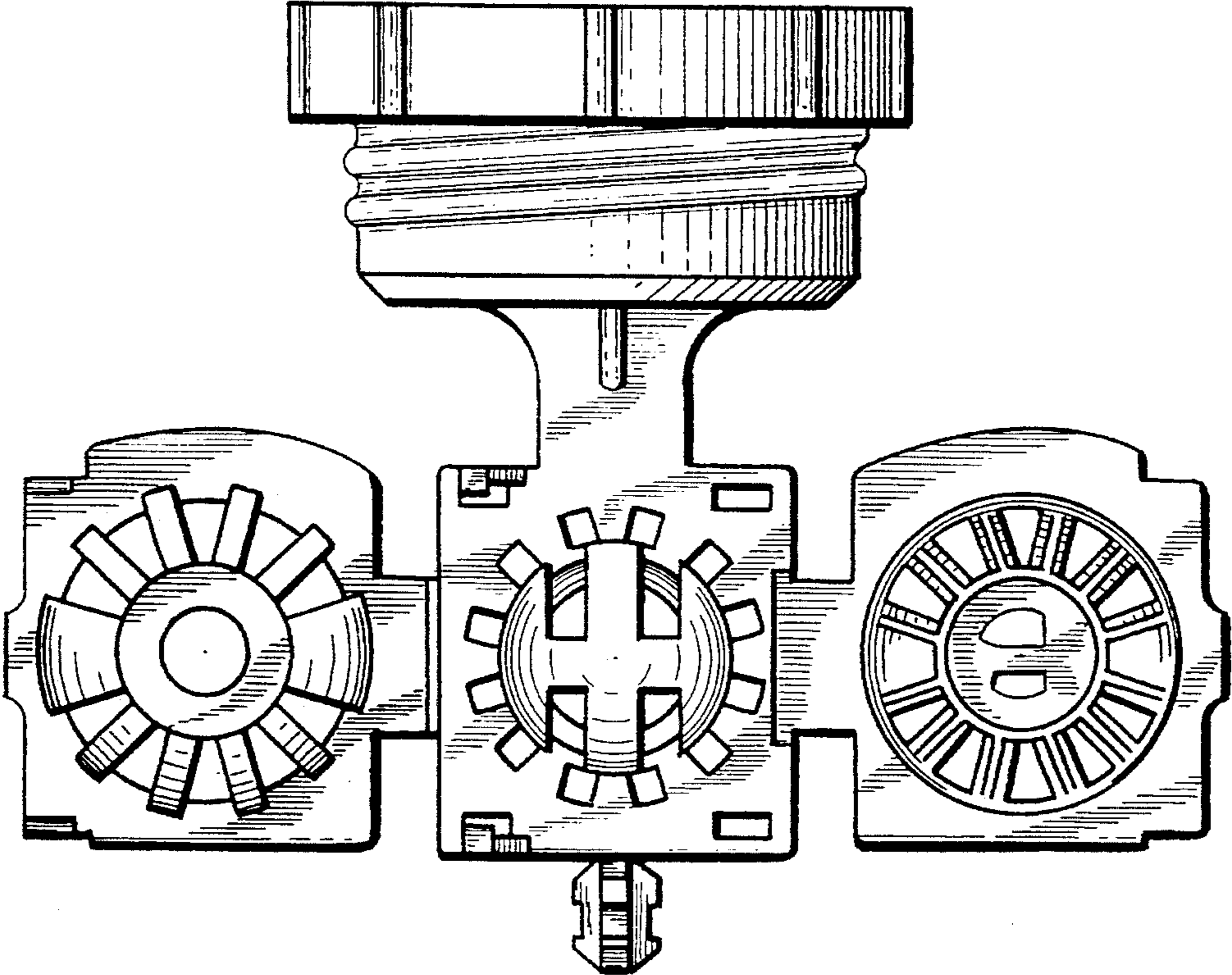


FIG. 12

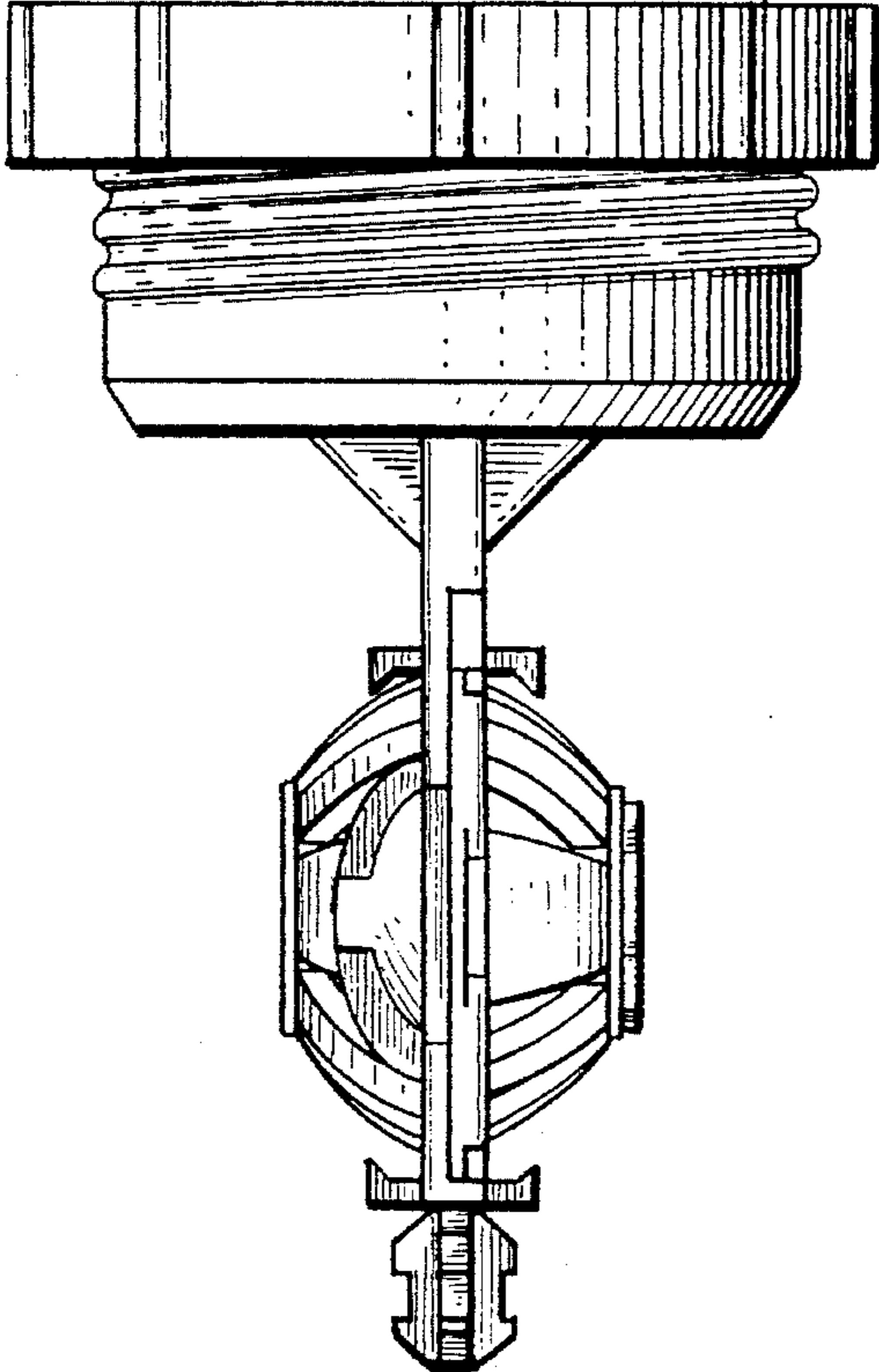


FIG. 13

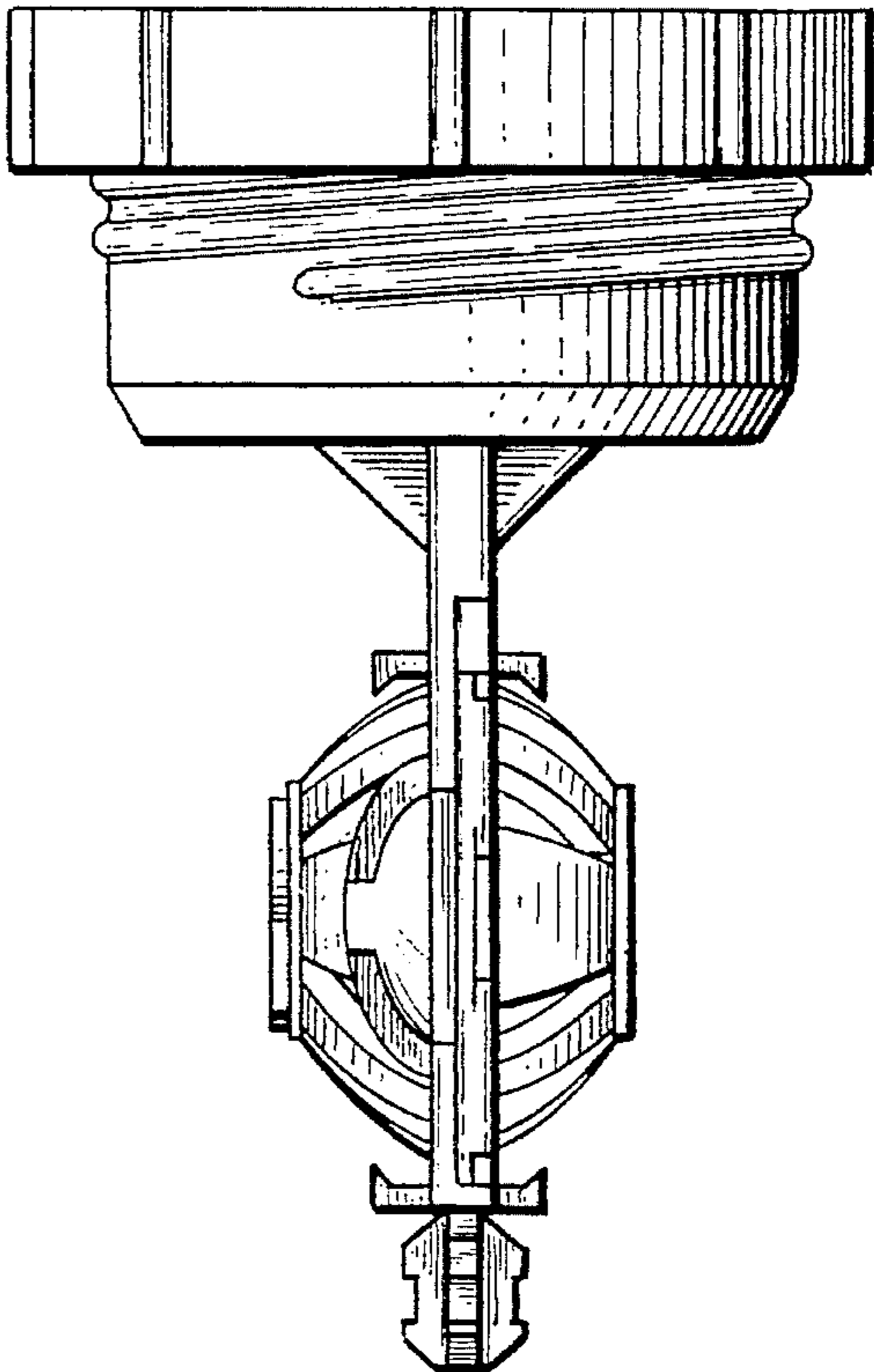


FIG. 14

