



US00D366346S

United States Patent [19]

Ascolese

[11] Patent Number: **Des. 366,346**

[45] Date of Patent: ****Jan. 16, 1996**

[54] MASCARA CASE

[75] Inventor: **Salvatore J. Ascolese**, Edison, N.J.

[73] Assignee: **Charbelle Ltd.**, Los Angeles, Calif.

[**] Term: **14 Years**

[21] Appl. No.: **27,183**

[22] Filed: **Aug. 11, 1994**

[52] U.S. Cl. **D28/76**

[58] Field of Search D28/7, 76, 77,
D28/82, 83, 85; 132/218, 317, 318, 320,
294, 295, 297; 401/88, 92, 118-122, 126,
127, 129

[56] **References Cited**

U.S. PATENT DOCUMENTS

D. 123,072	10/1940	Bars et al.	D28/73
D. 301,771	6/1989	Bakic	D28/76
D. 325,790	4/1992	Cassai	D28/7
1,931,079	10/1933	Mitchell	132/318 X
2,048,010	7/1936	Kreisler	401/61
2,049,378	7/1936	Holl	206/235 X
2,577,577	12/1951	Groh	D28/76 X
4,921,366	5/1990	Hurrell	401/126

4,966,479	10/1990	Idec et al.	401/68
5,141,347	8/1992	Fitjer	401/126
5,171,096	12/1992	Perrotti	401/59
5,309,929	5/1994	Toll	132/218

FOREIGN PATENT DOCUMENTS

8602812	5/1986	WIPO	401/82
---------	--------	------------	--------

Primary Examiner—Ted Shooman

Assistant Examiner—C. Tuttle

Attorney, Agent, or Firm—Burns, Doane, Swecker & Mathis

[57] CLAIM

The ornamental design for a mascara case, as shown and described.

DESCRIPTION

FIG. 1 is a top perspective view of a mascara case showing my new design;

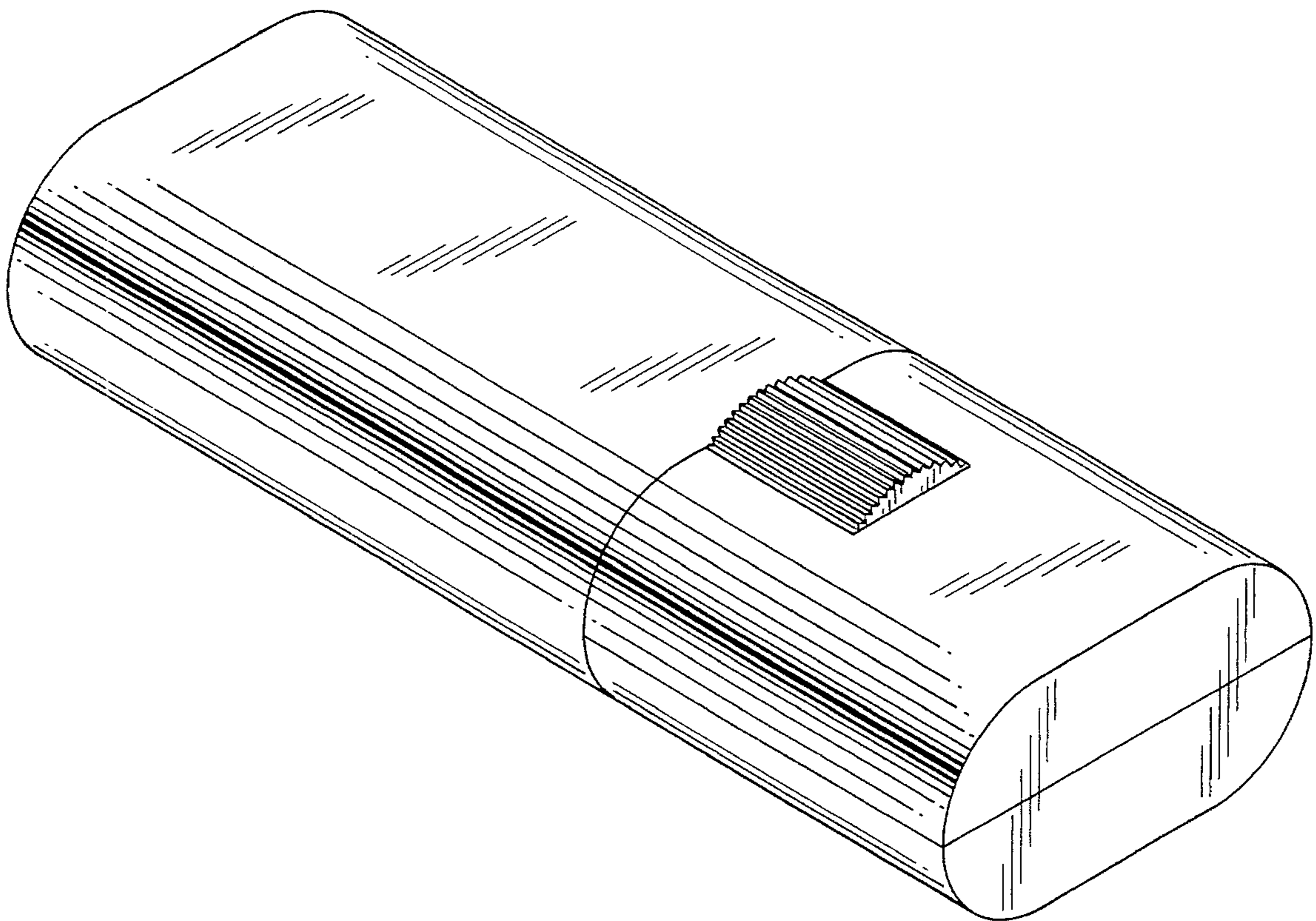
FIG. 2 is a top plan view thereof, the bottom plan view being a mirror image of the top plan view;

FIG. 3 is a side elevational view of FIG. 2, the side opposite being a mirror image thereof;

FIG. 4 is a left end view of FIG. 3; and,

FIG. 5 is a right end view of FIG. 3.

1 Claim, 1 Drawing Sheet



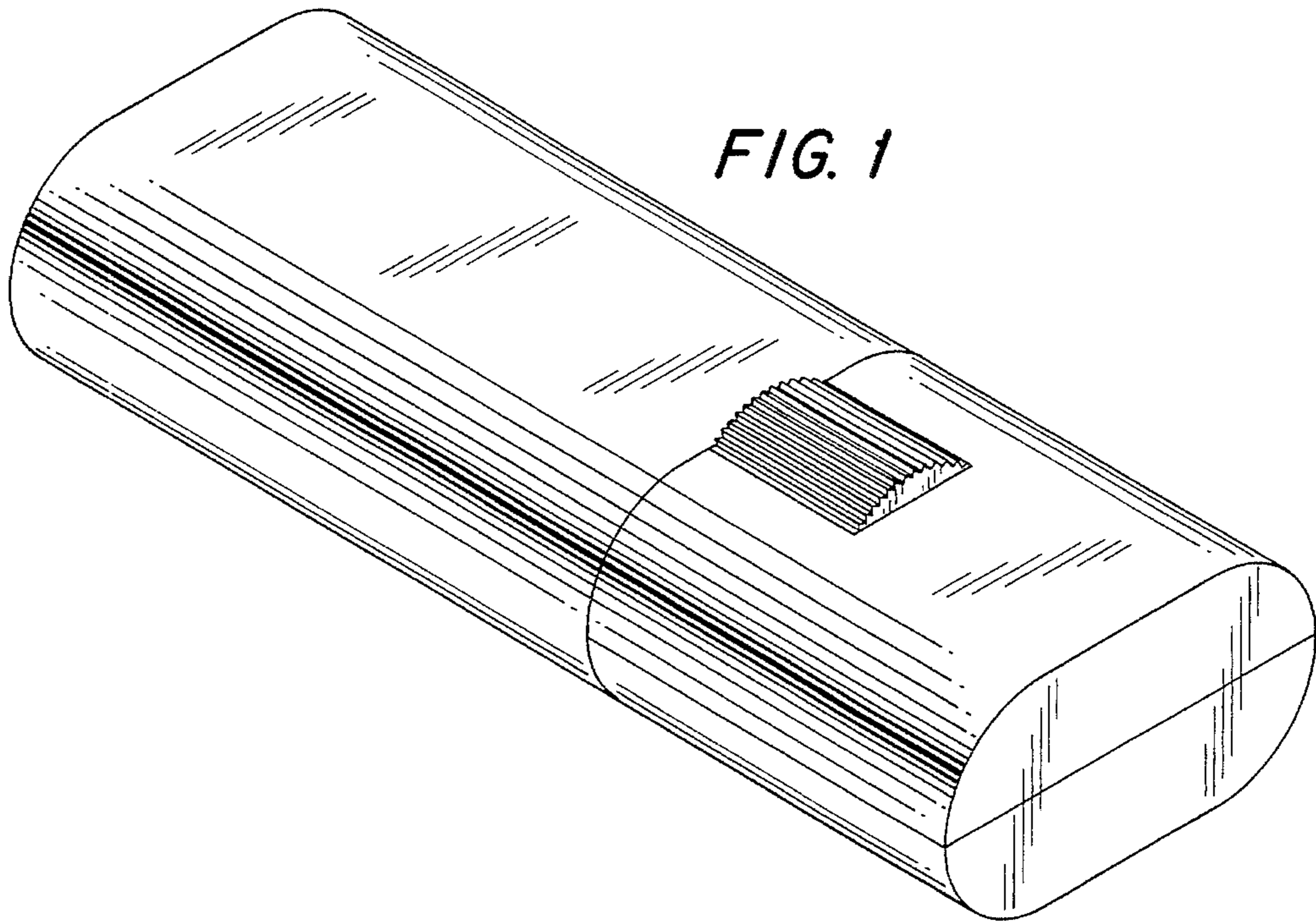


FIG. 2

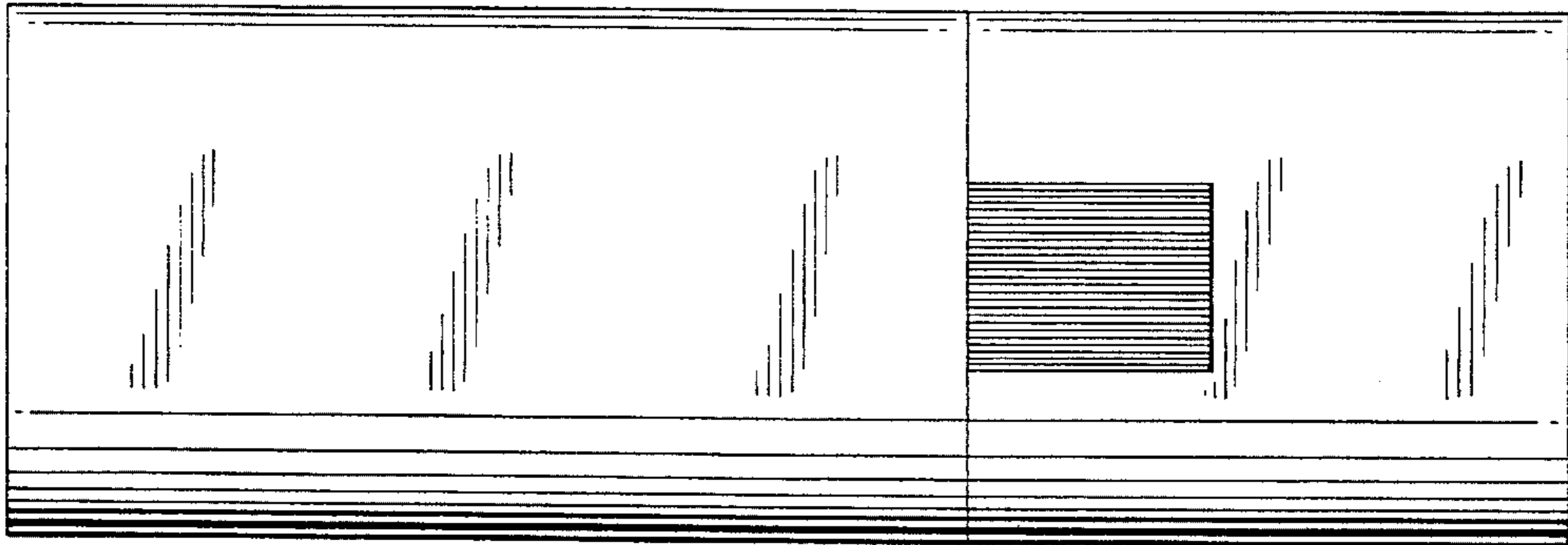


FIG. 3

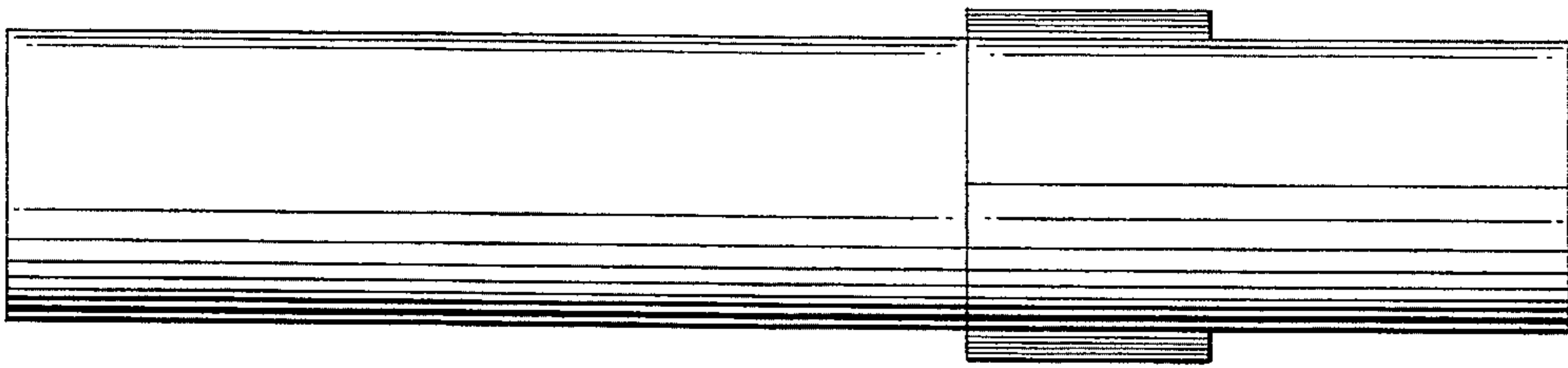


FIG. 4

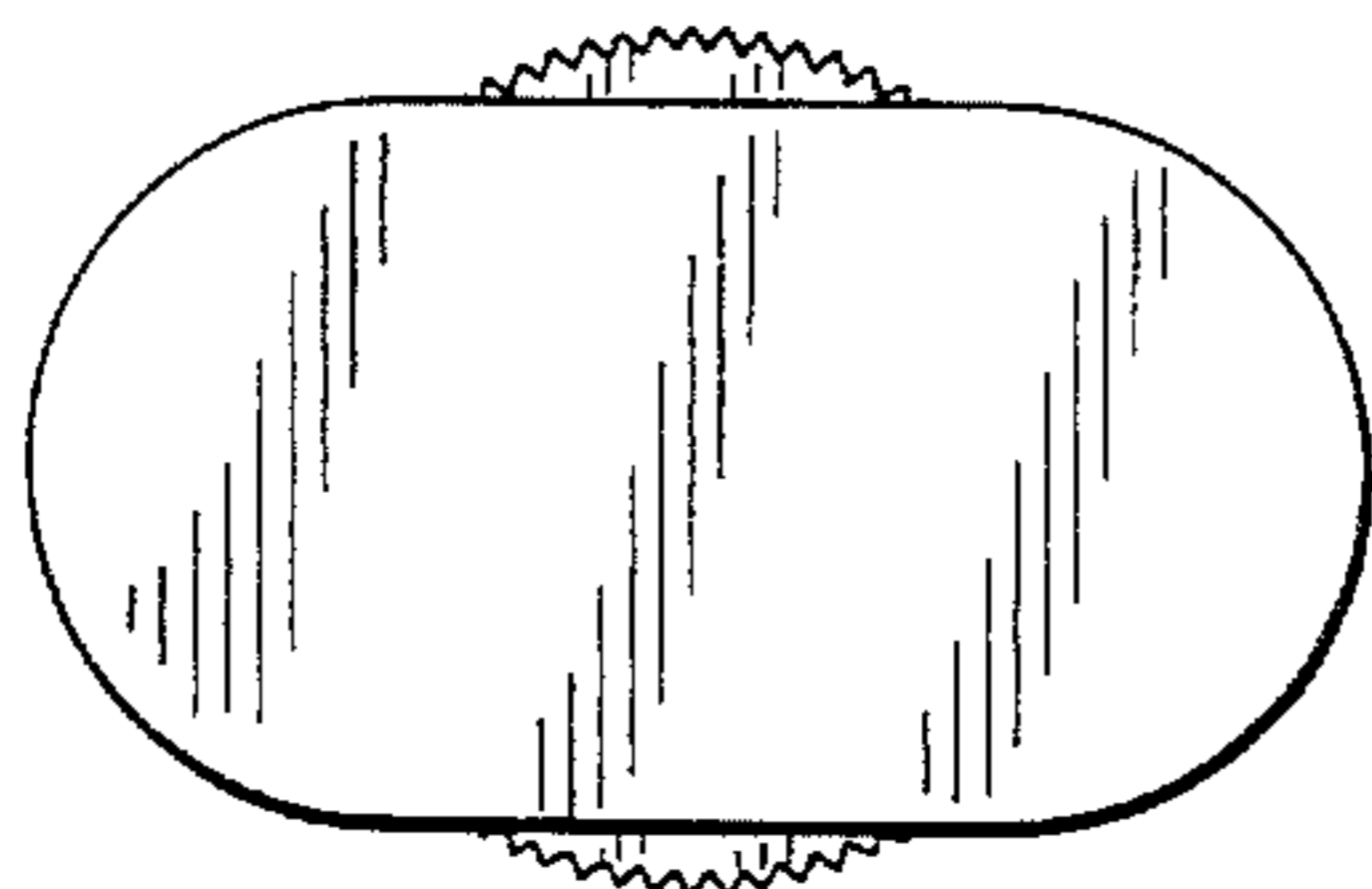


FIG. 5

