



US00D366345S

United States Patent [19] Valente

[11] Patent Number: **Des. 366,345**

[45] Date of Patent: ****Jan. 16, 1996**

[54] POWER CURLING IRON

[76] Inventor: **Daniel A. Valente**, 30 Baybridge Dr.,
Queensbury, N.Y. 12804

[**] Term: **14 Years**

[21] Appl. No.: **30,108**

[22] Filed: **Nov. 1, 1994**

[52] U.S. Cl. **D28/35**

[58] Field of Search D28/35; 132/223-236,
132/263, 269; 219/222, 225

[56] References Cited

U.S. PATENT DOCUMENTS

D. 280,954	10/1985	Rittenhouse	D28/35	X
D. 281,022	10/1985	Rittenhouse	D28/35	
D. 289,089	3/1987	Muller et al.	D28/35	
D. 293,830	1/1988	Bell et al.	D28/35	
D. 313,484	1/1991	Wahl et al.	D28/35	
1,639,015	8/1927	Velten	132/232	
3,934,597	1/1976	McNair	132/232	
4,549,560	10/1985	Andis	219/222	X
4,837,892	6/1989	Lo	16/116	R

FOREIGN PATENT DOCUMENTS

83539	7/1964	France	132/232	
-------	--------	--------	-------	---------	--

OTHER PUBLICATIONS

Modern Salon Jul. 1985, p. 23: GOLDPRO curling iron at bottom of page.

British design registered design or application No. 1,035 028: Sep. 1987 to Metal Factory Limited. 2 sheets of drawings.

Primary Examiner—Ted Shooman

Assistant Examiner—C. Tuttle

Attorney, Agent, or Firm—Dennis H. Lambert

[57] CLAIM

The ornamental design for a power curling iron, as shown and described.

DESCRIPTION

FIG. 1 is a front, top and side perspective view of the power curling iron showing my new design;

FIG. 2 is a side elevational view thereof the side opposite being a mirror image of the side shown in FIG. 2;

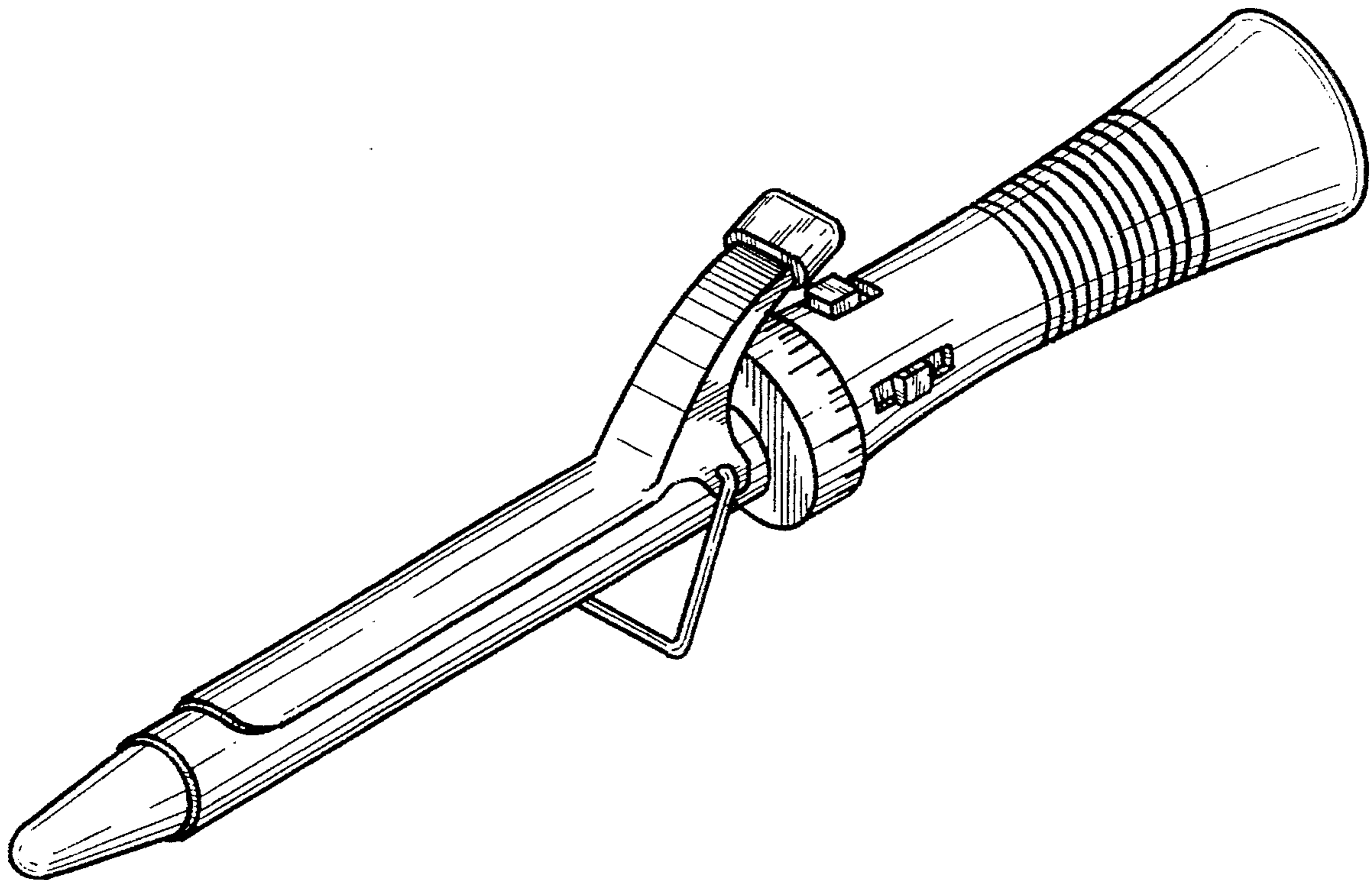
FIG. 3 is a rear elevational view thereof;

FIG. 4 is a front elevational view thereof;

FIG. 5 is a top plan view thereof; and,

FIG. 6 is a bottom plan view thereof.

1 Claim, 3 Drawing Sheets



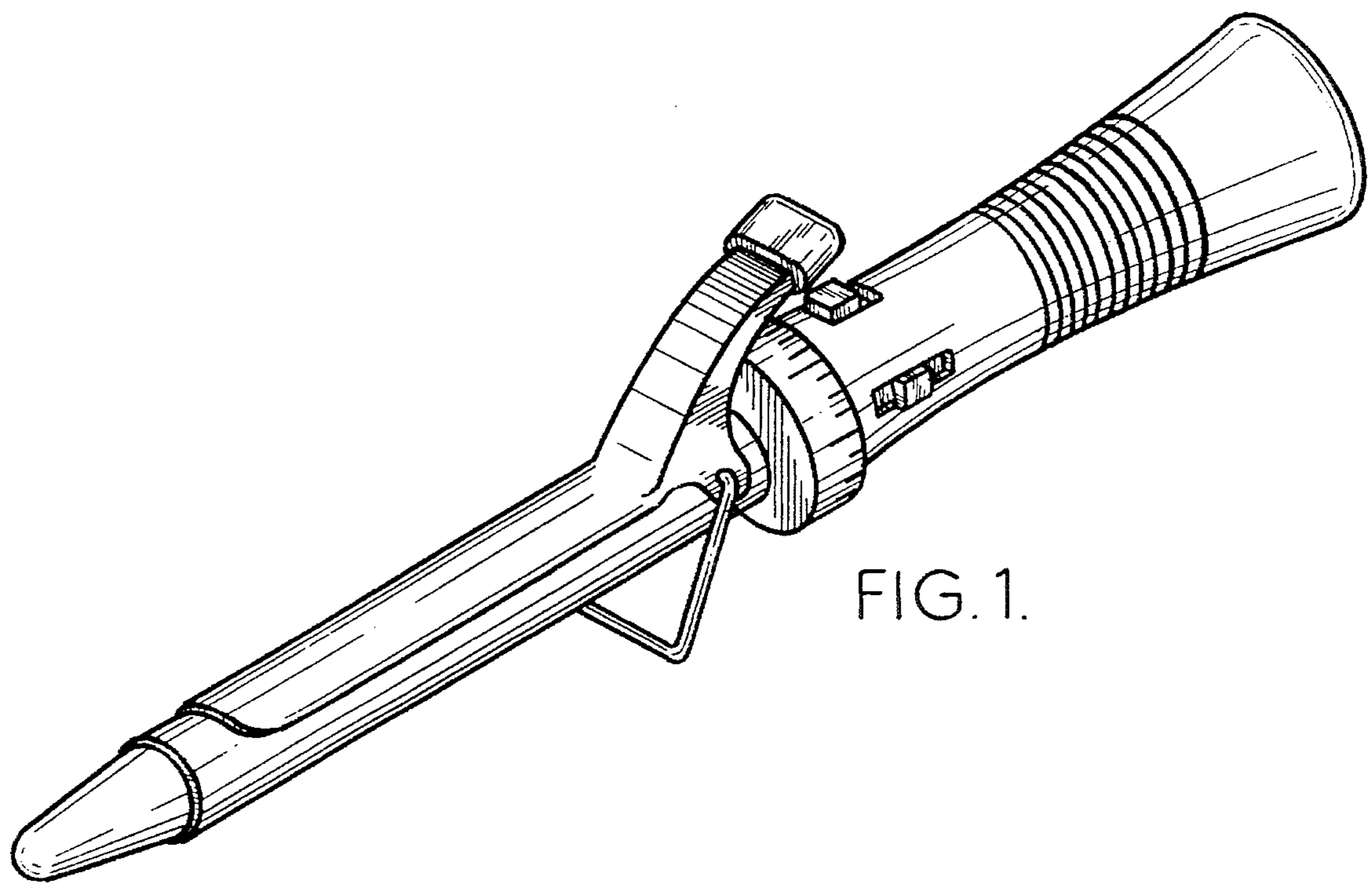


FIG. 1.

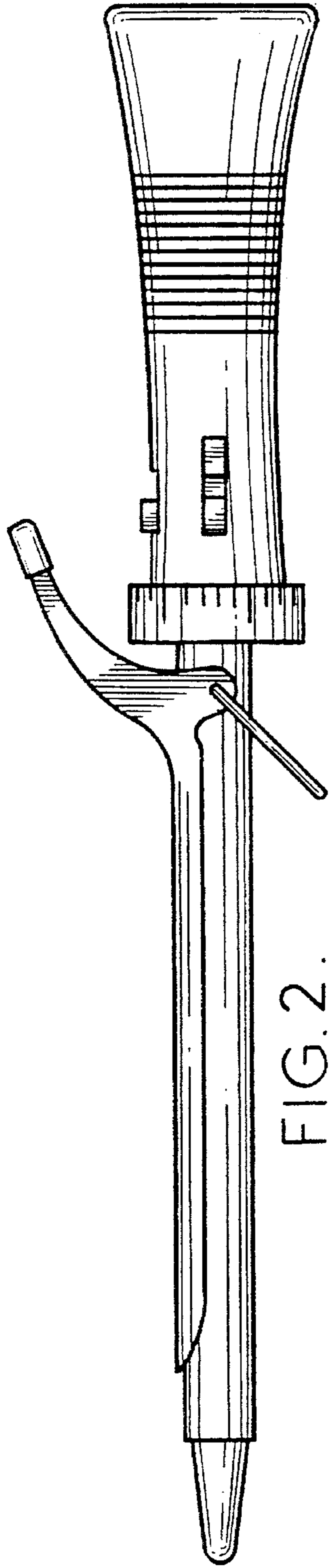


FIG. 2.

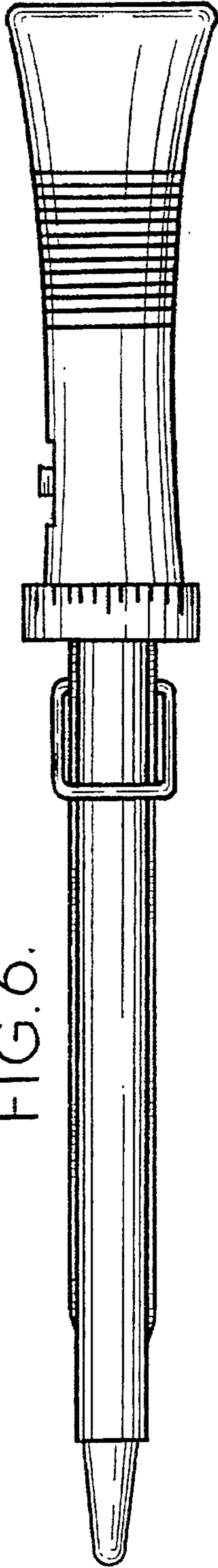


FIG. 6.

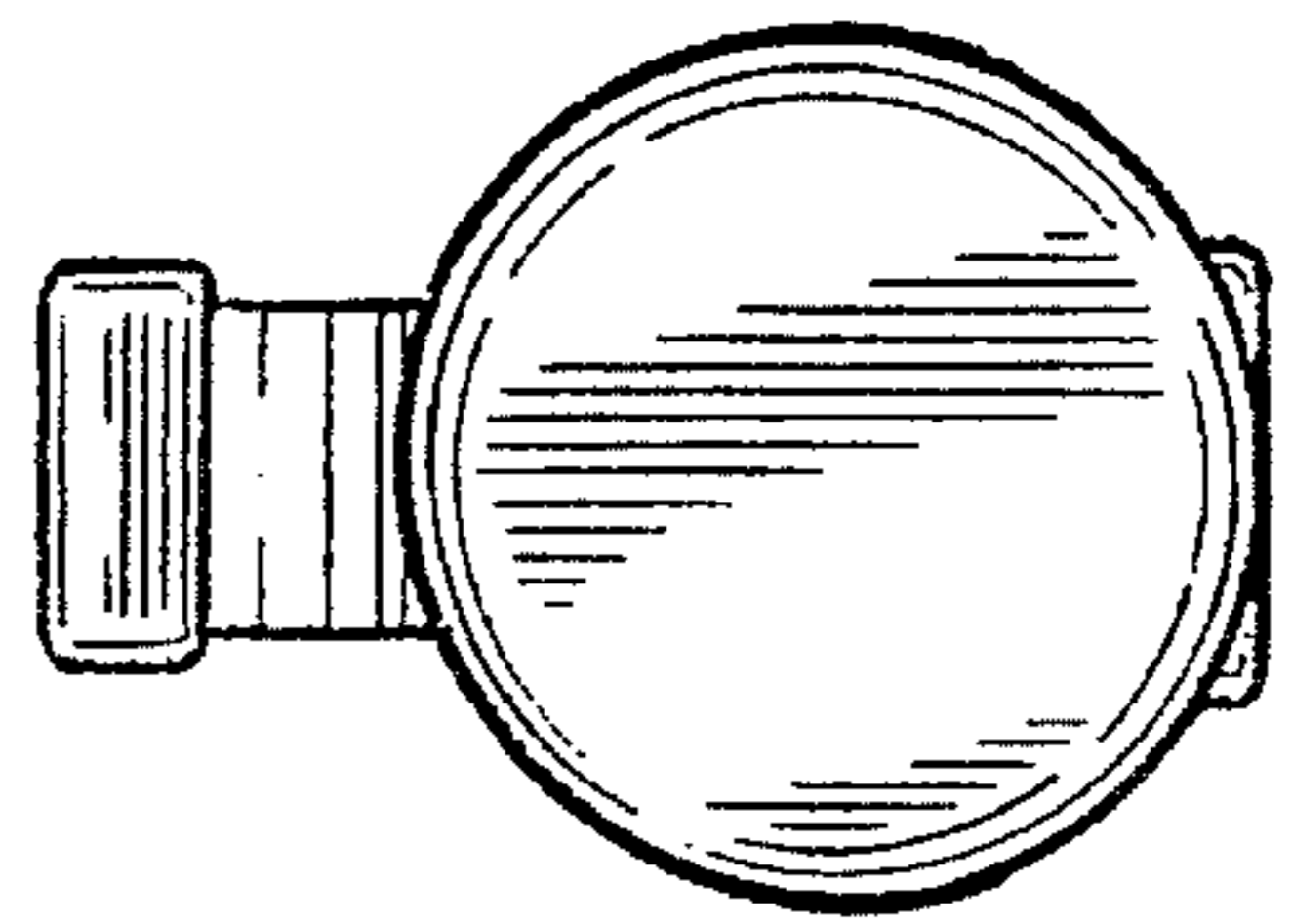


FIG. 3.

FIG. 5.

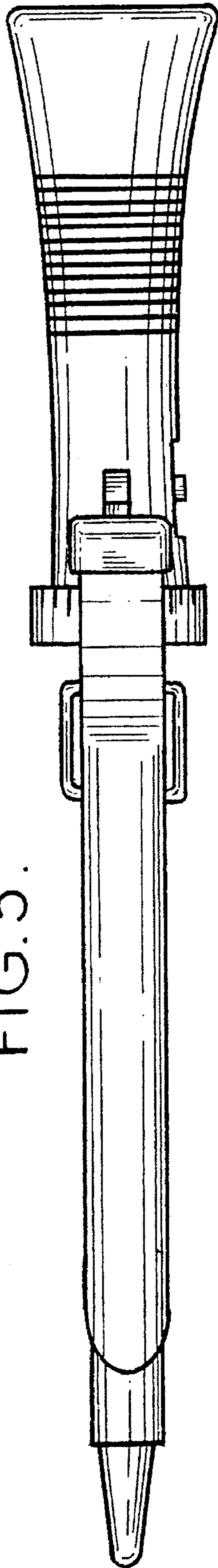


FIG. 4.

