



US00D366344S

United States Patent [19] Mak

[11] Patent Number: **Des. 366,344**

[45] Date of Patent: ****Jan. 16, 1996**

[54] **WATERPROOF CIGARETTE CASE**

3,935,944 2/1976 Wilson et al. 206/232 X

[76] Inventor: **Kevin Mak**, 136 Crestwood Dr.,
Warren, N.J. 07059

Primary Examiner—Cathy Anne MacCormac

Assistant Examiner—Monica A. Hannon

Attorney, Agent, or Firm—Salzman & Levy

[**] Term: **14 Years**

[57] CLAIM

[21] Appl. No.: **22,224**

The ornamental design for a waterproof cigarette case, as shown and described.

[22] Filed: **May 2, 1994**

[52] U.S. Cl. **D27/186**; D27/183

DESCRIPTION

[58] Field of Search D27/144, 186,
D27/187, 188, 172, 174–180, 183, 189,
192, 193, 194, 195; D3/230, 299; 131/187,
188; 206/89, 232, 245, 248, 249, 250, 259,
260, 265, 268, 269, 273; 224/252, 269;
D9/415, 418, 434, 436, 499

FIG. 1 is a perspective view of the waterproof cigarette case of the invention;

FIG. 2 is a side plan view of the waterproof cigarette case of the invention;

FIG. 3 is a back plan view of the waterproof cigarette case of the invention;

FIG. 4 is a front plan view of the waterproof cigarette case of the invention;

FIG. 5 is a top plan view of the waterproof cigarette case of the invention; and,

FIG. 6 is a bottom plan view of the waterproof cigarette case of the invention.

[56] References Cited

U.S. PATENT DOCUMENTS

D. 141,684	6/1945	Gladstone	D27/144
D. 147,057	7/1947	Lewis	206/265
D. 148,402	1/1948	Abbatiello	206/269 X
D. 174,305	3/1955	Yungbluth	D27/188
1,053,758	2/1913	Turnbull	206/269 X
3,081,867	3/1963	Corey	206/248

1 Claim, 6 Drawing Sheets

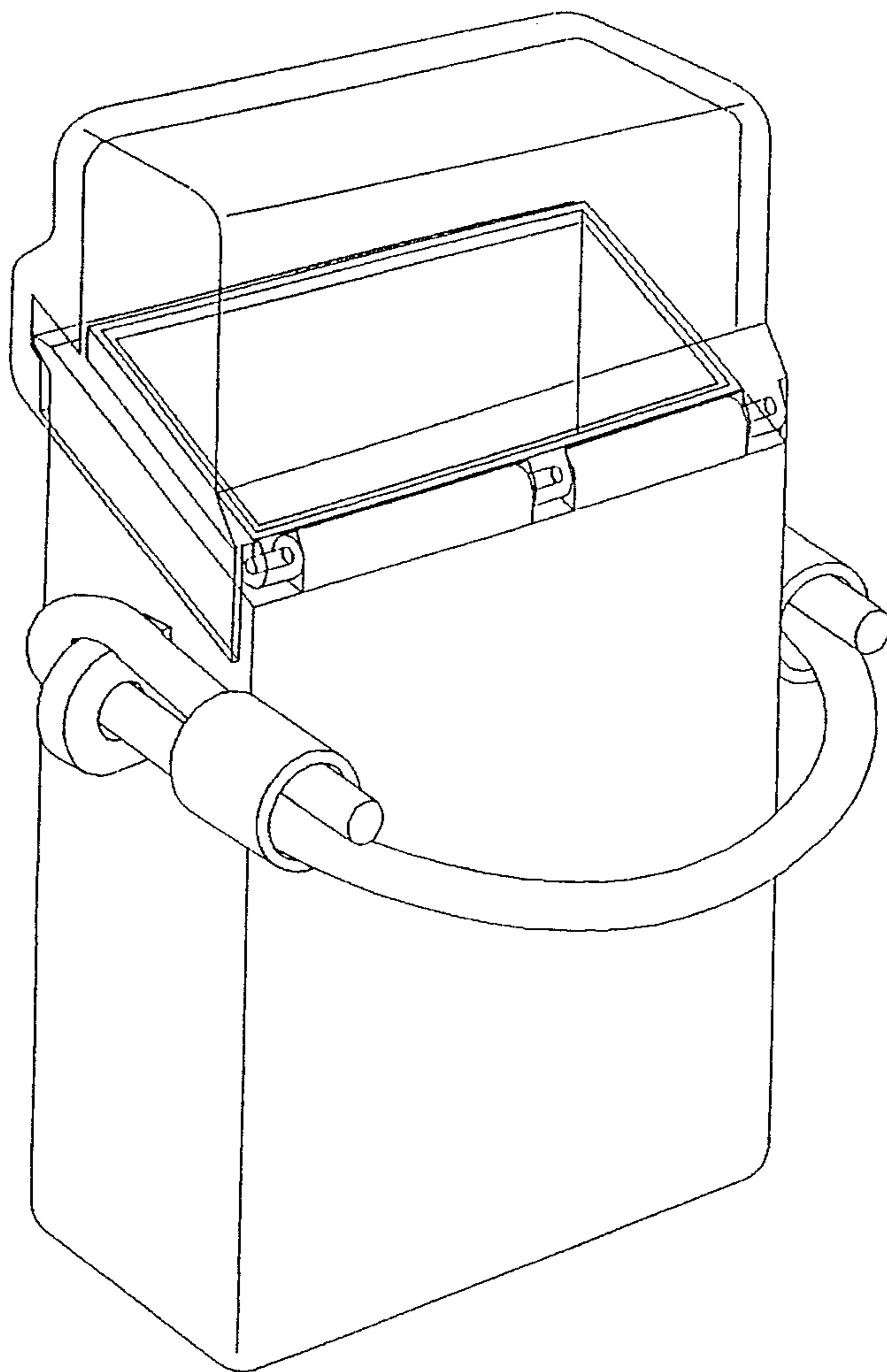


FIG-1

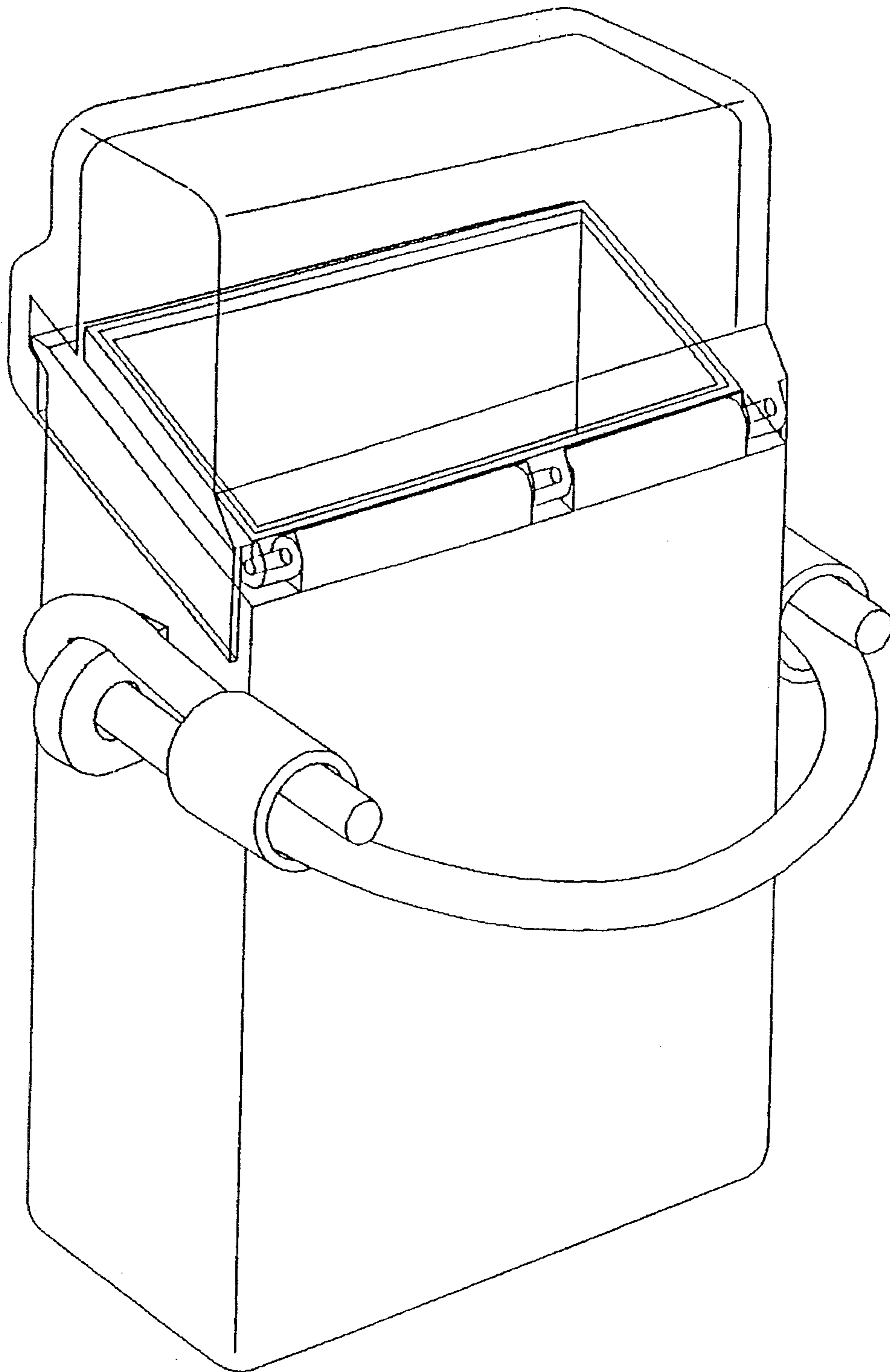


FIG-2

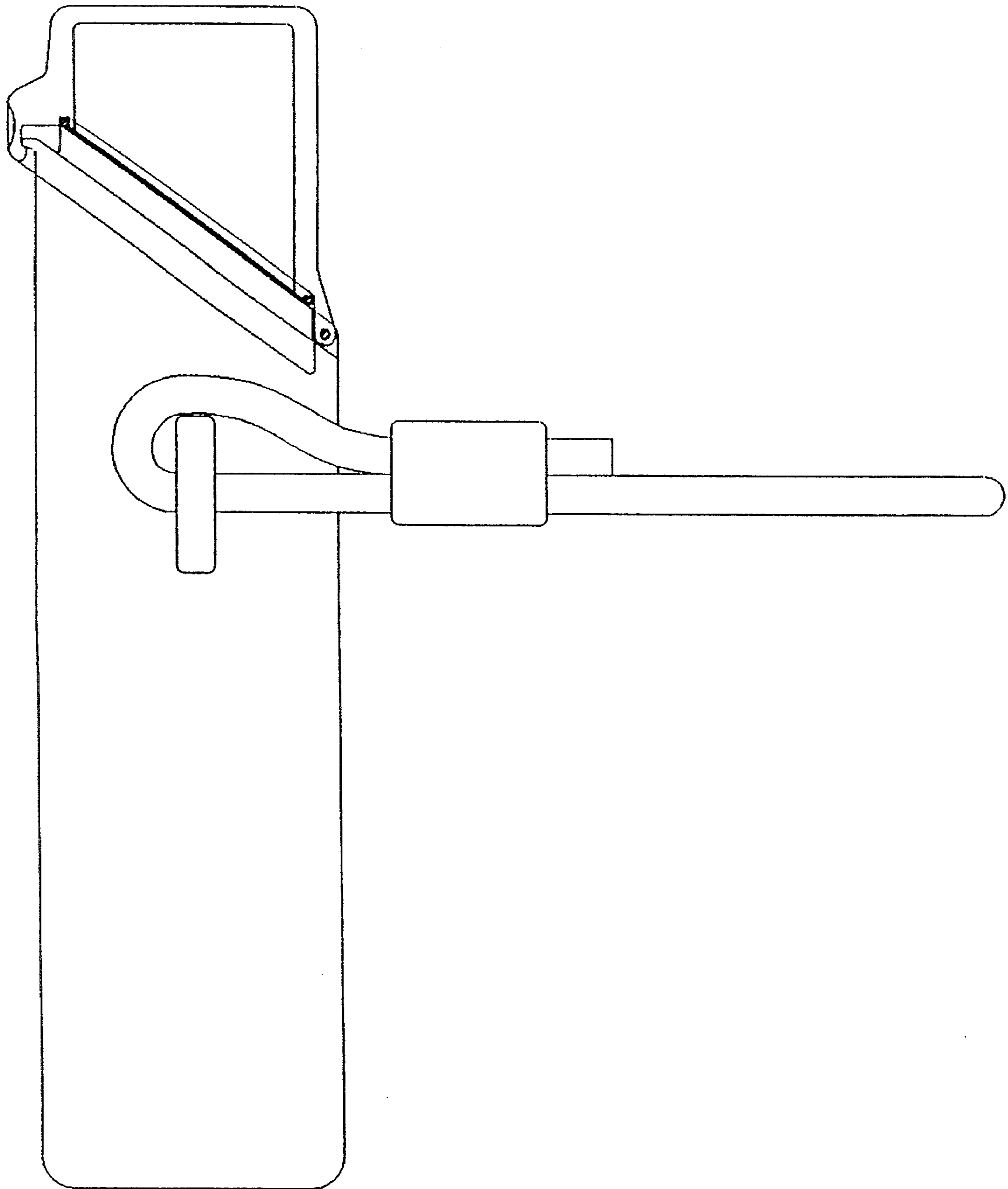


FIG-3

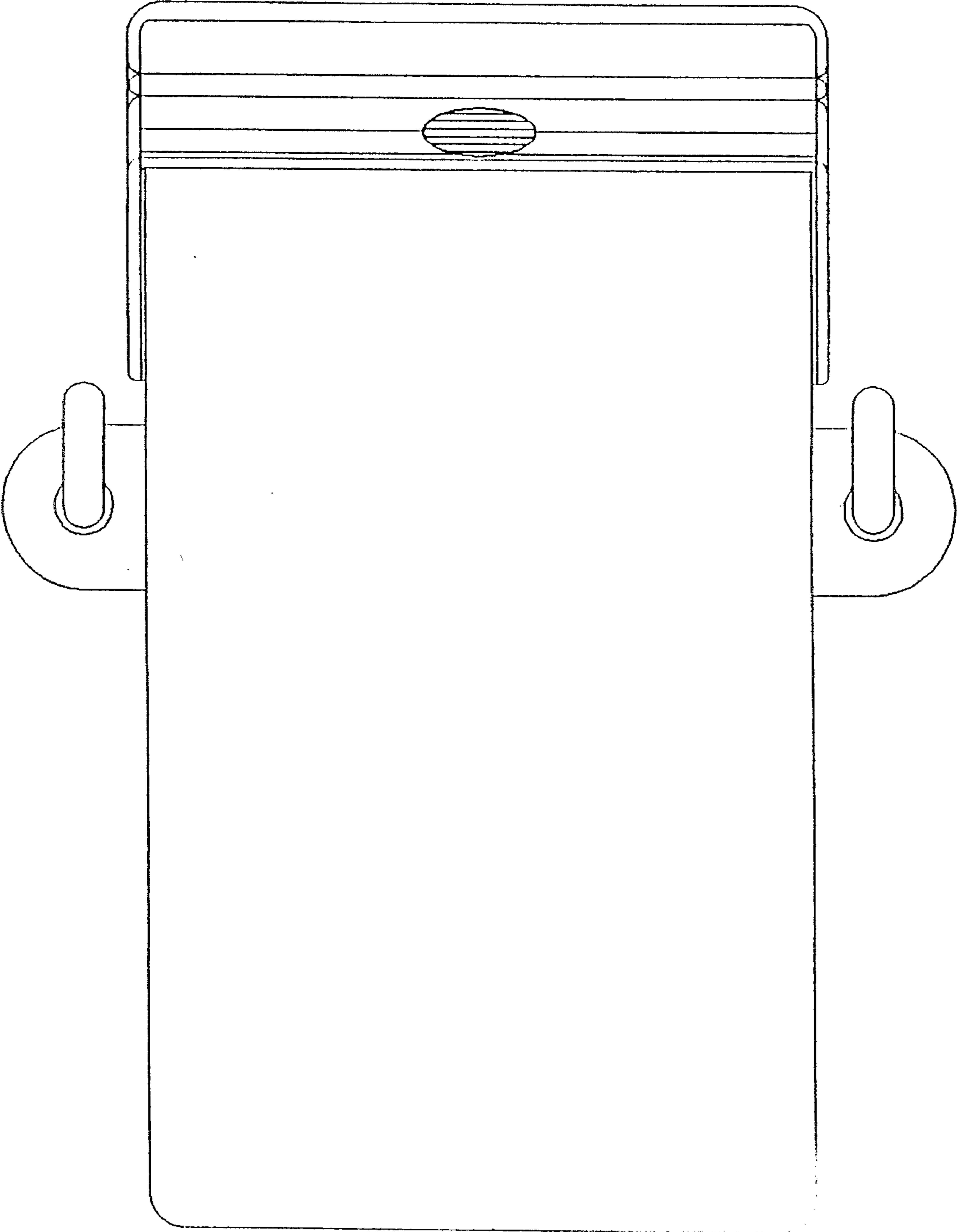


FIG-4

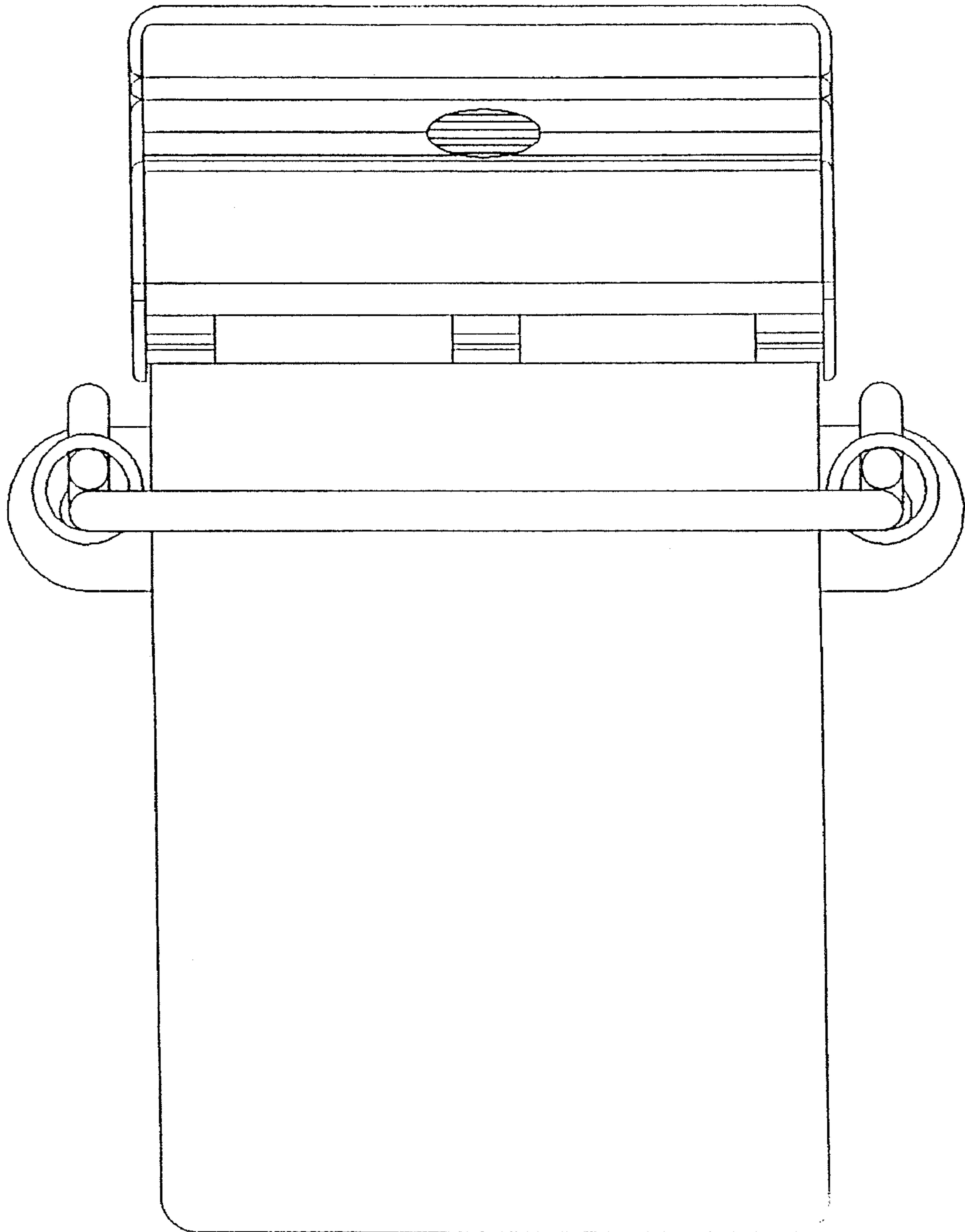


FIG-5

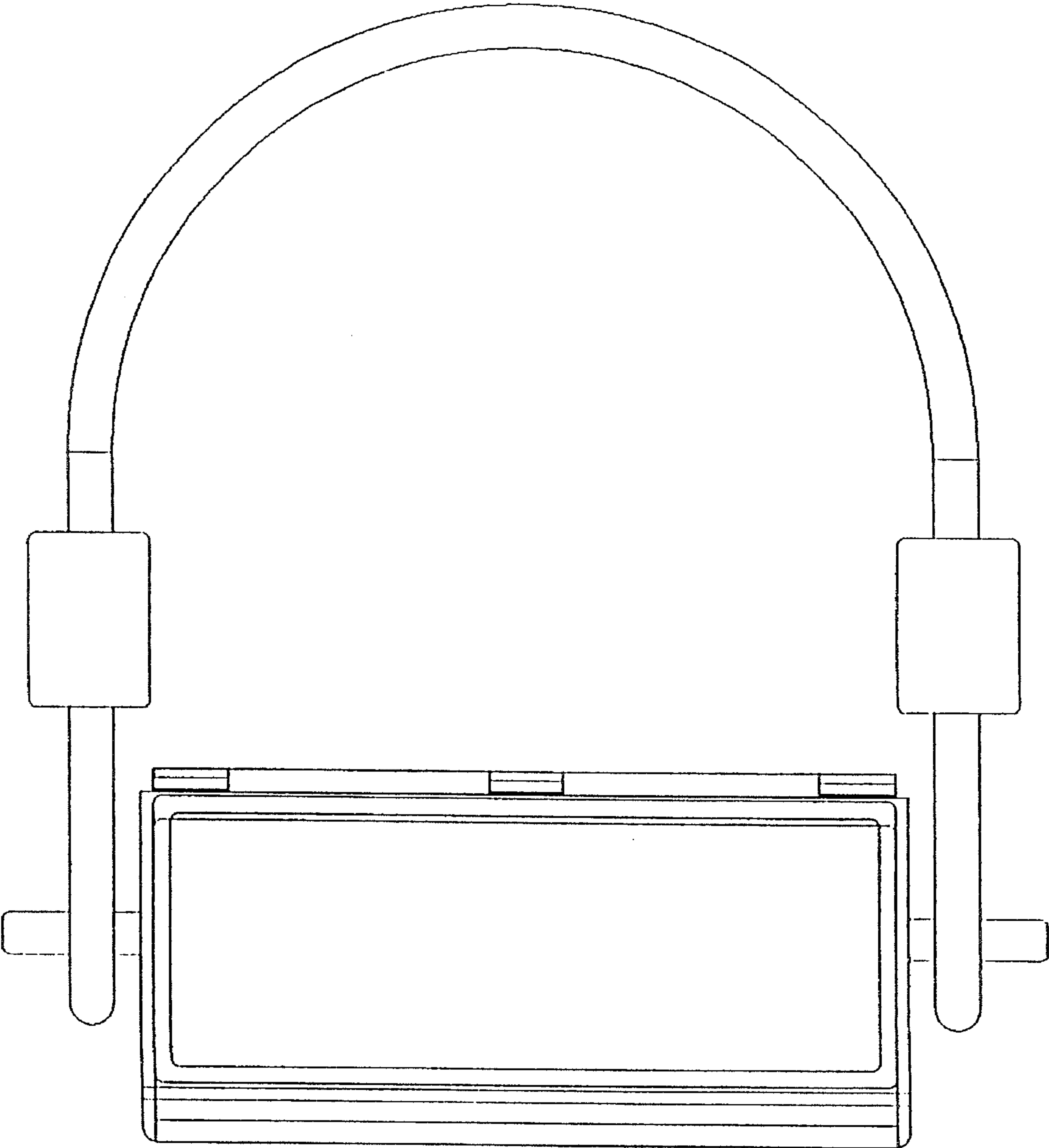


FIG-6

