



US00D366342S

# United States Patent [19]

[11] Patent Number: **Des. 366,342**

Porter et al.

[45] Date of Patent: **\*\*Jan. 16, 1996**

## [54] TABLE LAMP BASE

[75] Inventors: **David H. Porter**, Chagrin Falls; **Libbe A. Milicia**, Garfield Heights, both of Ohio

[73] Assignee: **The L.D. Kichler Co.**, Cleveland, Ohio

[\*\*] Term: **14 Years**

[21] Appl. No.: **29,470**

[22] Filed: **Oct. 11, 1994**

[52] U.S. Cl. .... **D26/101**

[58] Field of Search ..... D26/93, 94, 95,  
D26/96, 101, 104-106, 107-112; 362/410-414,  
418, 431

## [56] References Cited

### U.S. PATENT DOCUMENTS

D. 56,126	8/1920	Frerichs	.....	D26/111
D. 100,087	6/1936	Butt	.....	D26/101 X
D. 130,923	12/1941	Philipouch	.....	D26/101
D. 255,055	5/1980	Canipo	.....	D26/104
D. 354,149	1/1995	Kay	.....	D26/101 X
D. 354,366	1/1995	Kay	.....	D26/101 X
1,050,217	1/1913	Ivans	.....	D26/101 X

## OTHER PUBLICATIONS

Minoff 1094 catalog entitled "Made by Hand for the Heart", cover & title pages and p. 2, showing Lamp 50-561.

*Primary Examiner*—A. Hugo Word

*Assistant Examiner*—Cynthia E. Ramirez

*Attorney, Agent, or Firm*—Watts, Hoffmann, Fisher & Heinke

## [57] CLAIM

The ornamental design for a table lamp base, as shown and described.

## DESCRIPTION

FIG. 1 is a perspective view of a table lamp base showing my new design;

FIG. 2 is a right side elevational view of the table lamp base;

FIG. 3 is a left side elevational view of the table lamp base;

FIG. 4 is a front elevational view of the table lamp base;

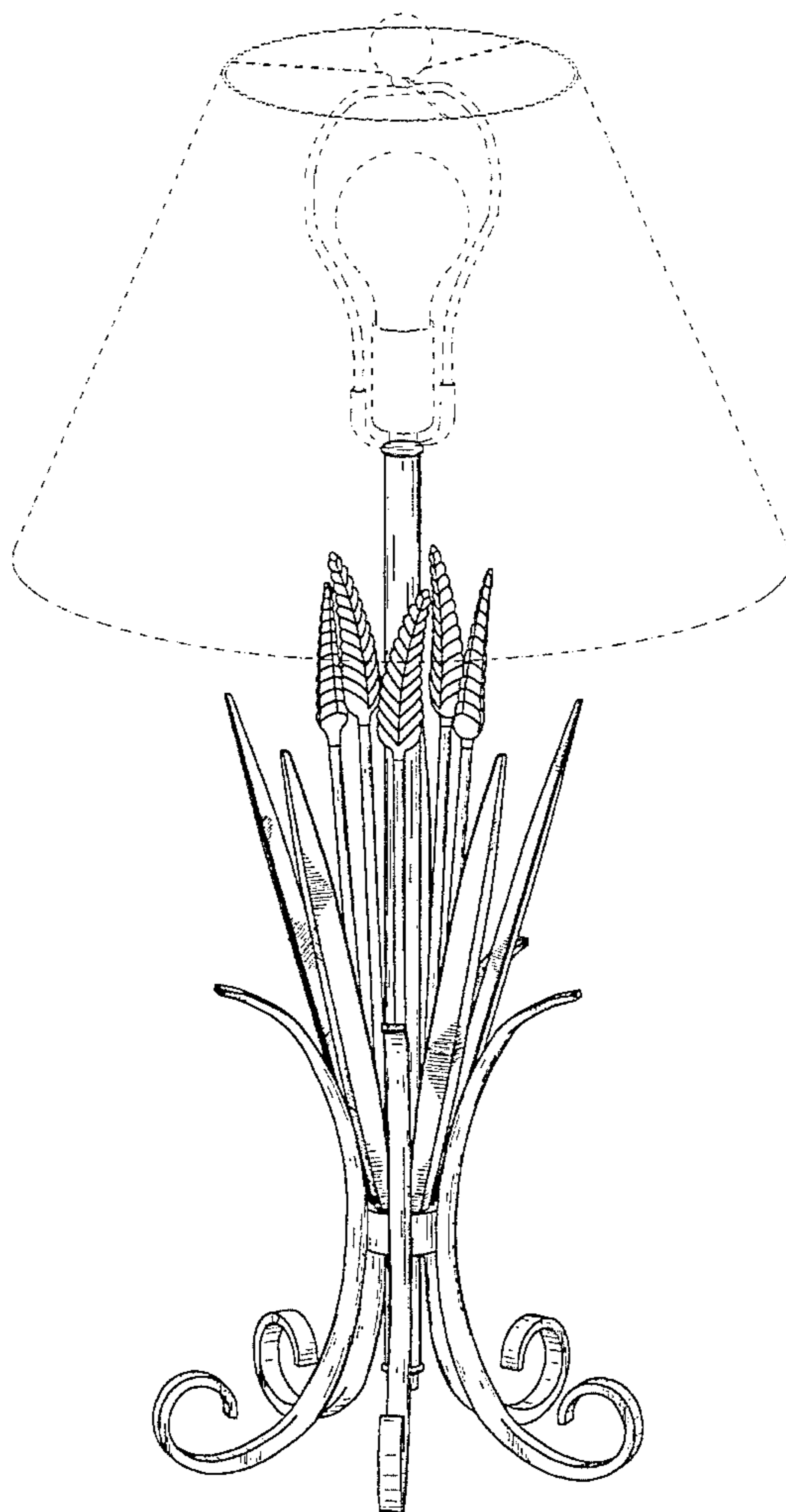
FIG. 5 is a rear elevational view of the table lamp base;

FIG. 6 is a top plan view of the table lamp base; and,

FIG. 7 is a bottom plan view of the table lamp base.

The broken line showing of the lamp shade, the light bulb, the socket, the harp and the finial in all the figures is for illustrative purposes only and forms no part of the claimed design.

**1 Claim, 6 Drawing Sheets**



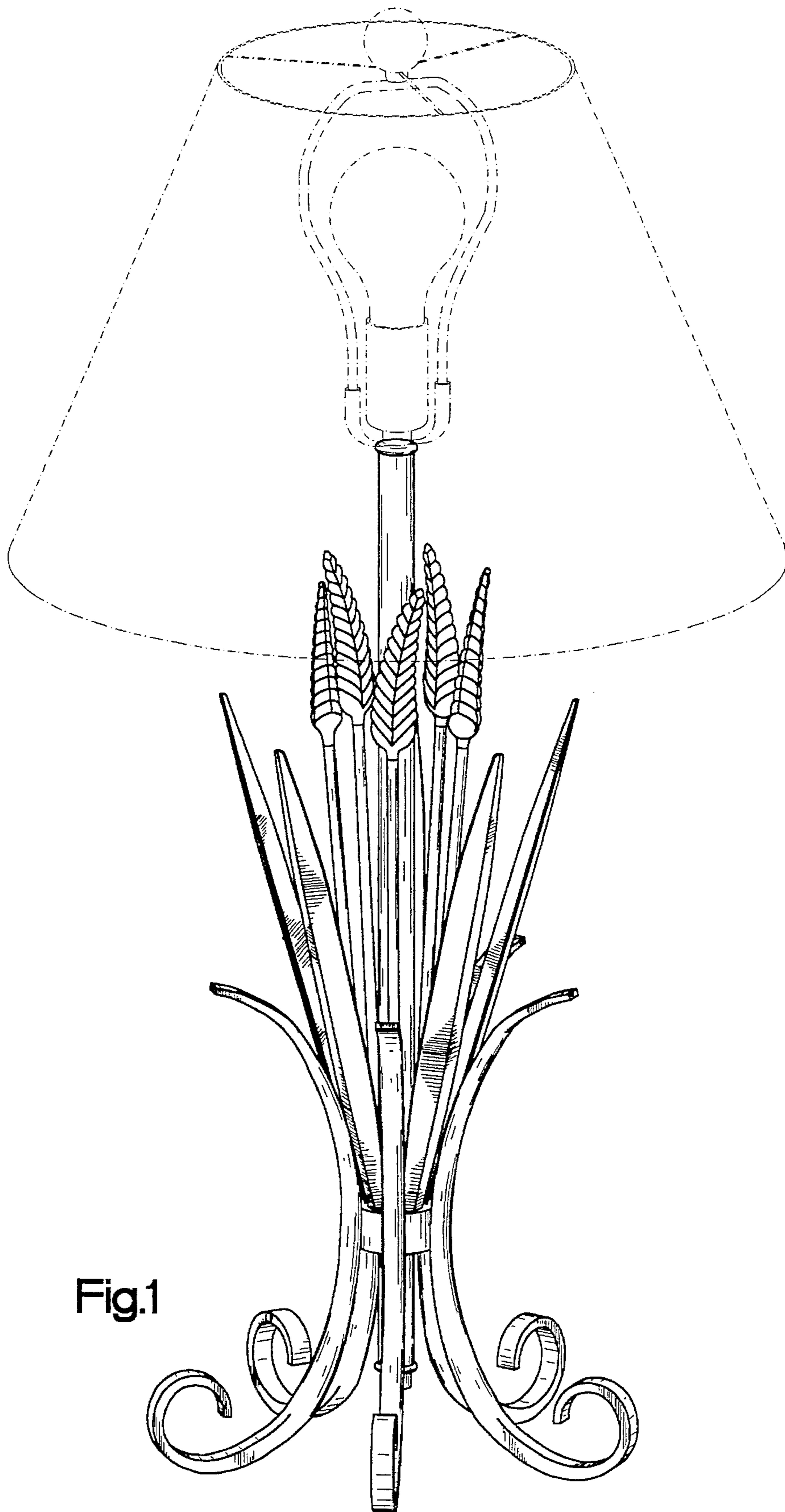


Fig.1

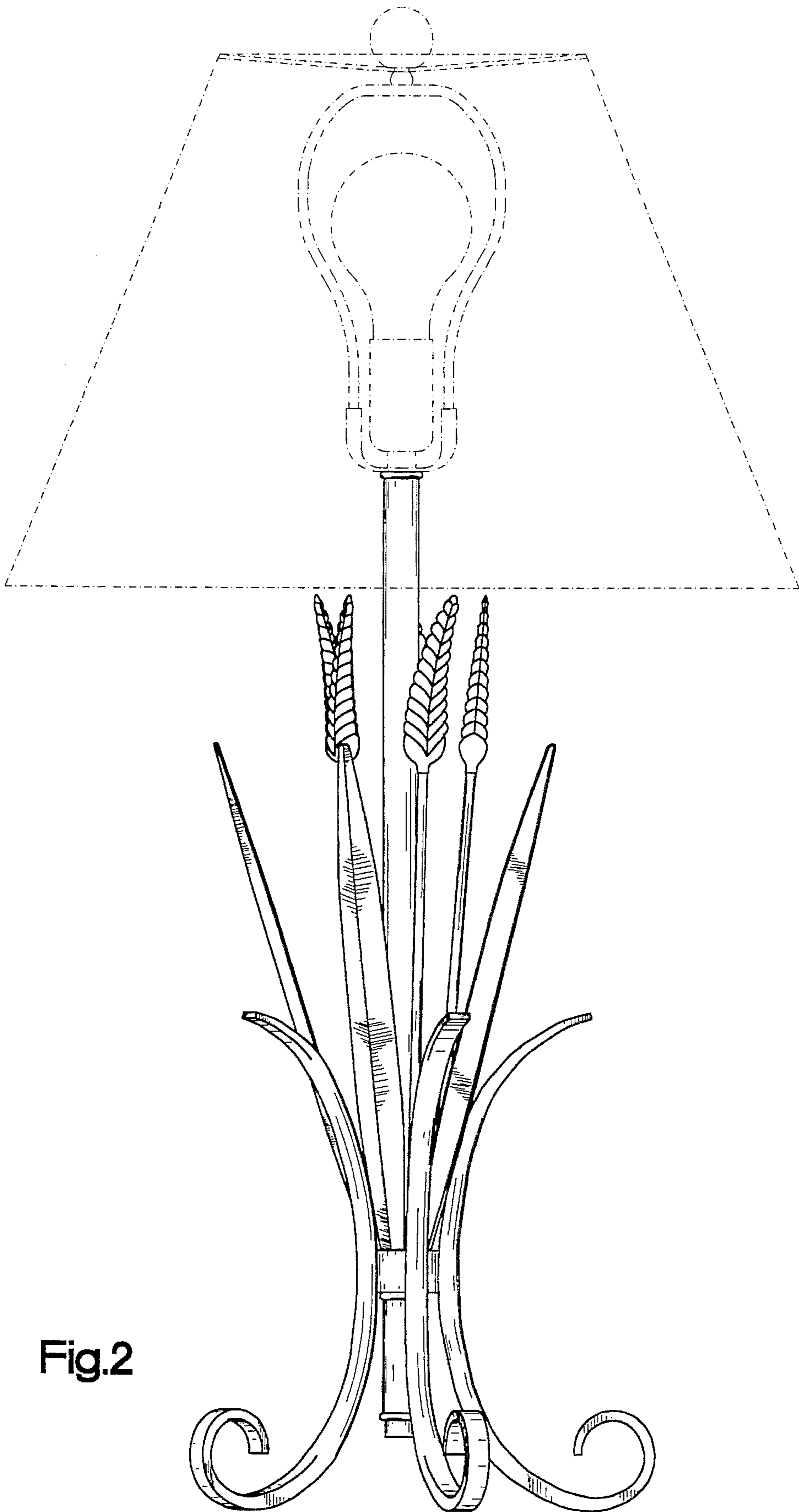


Fig.2

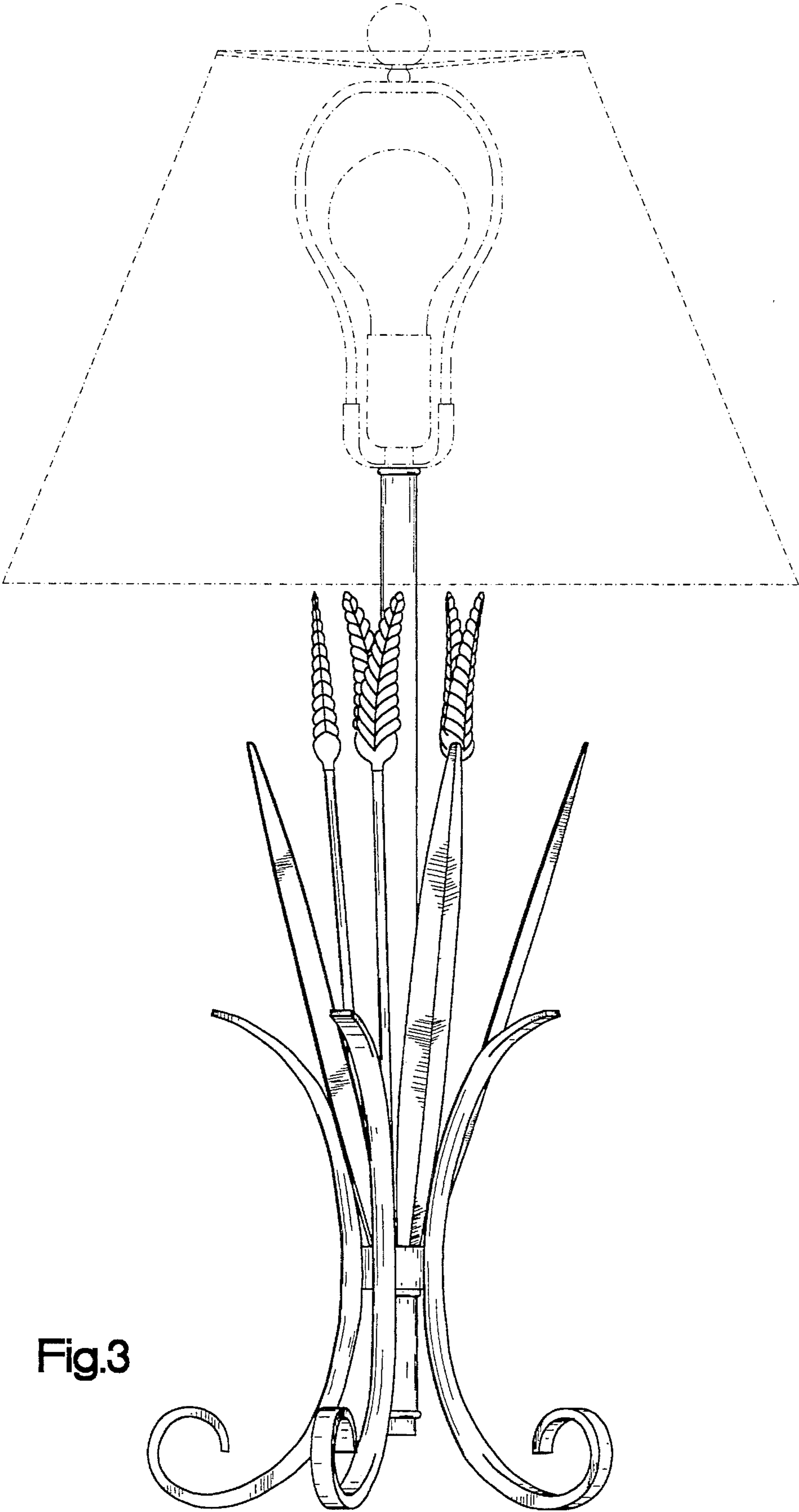


Fig.3

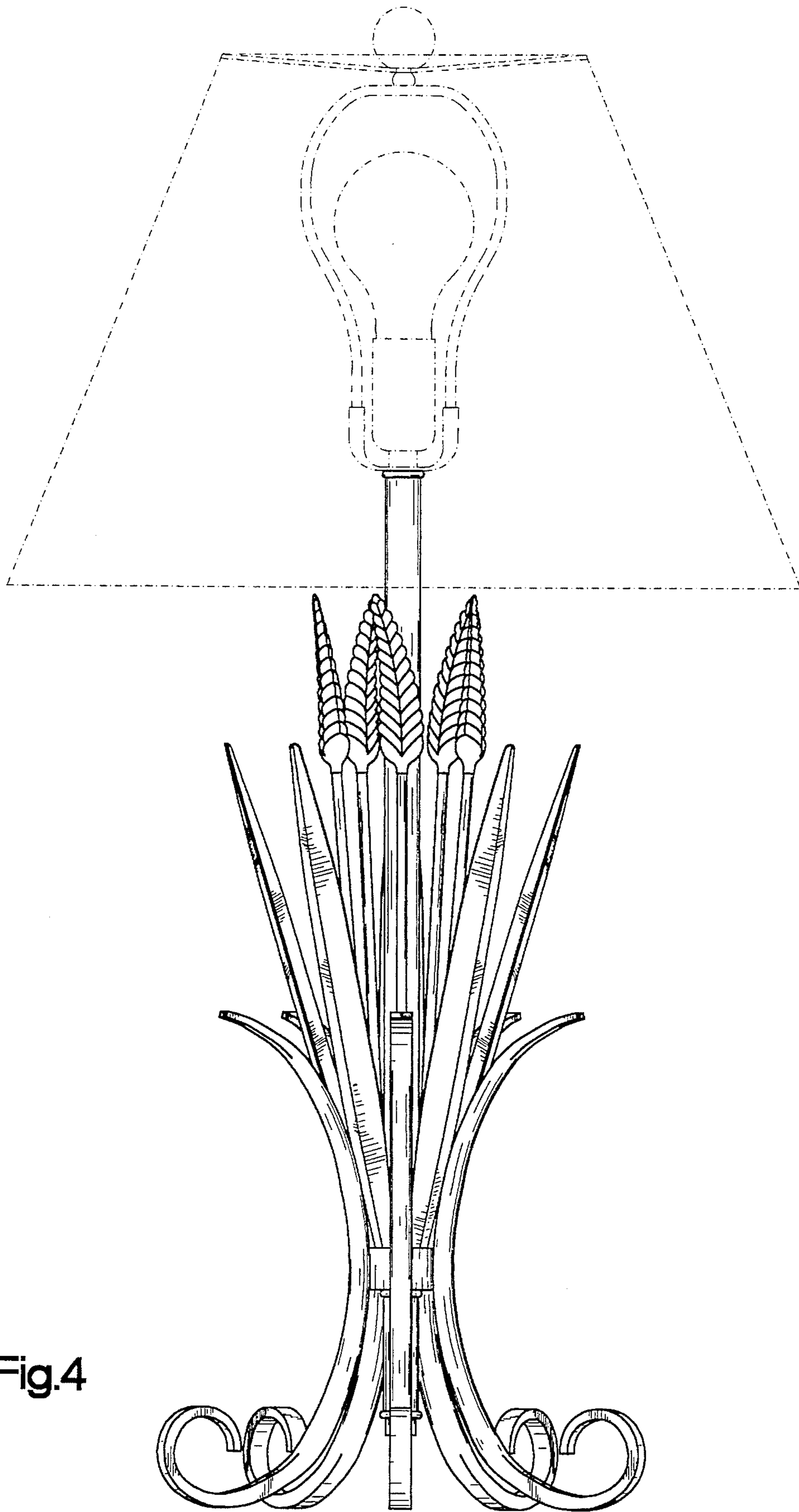


Fig.4

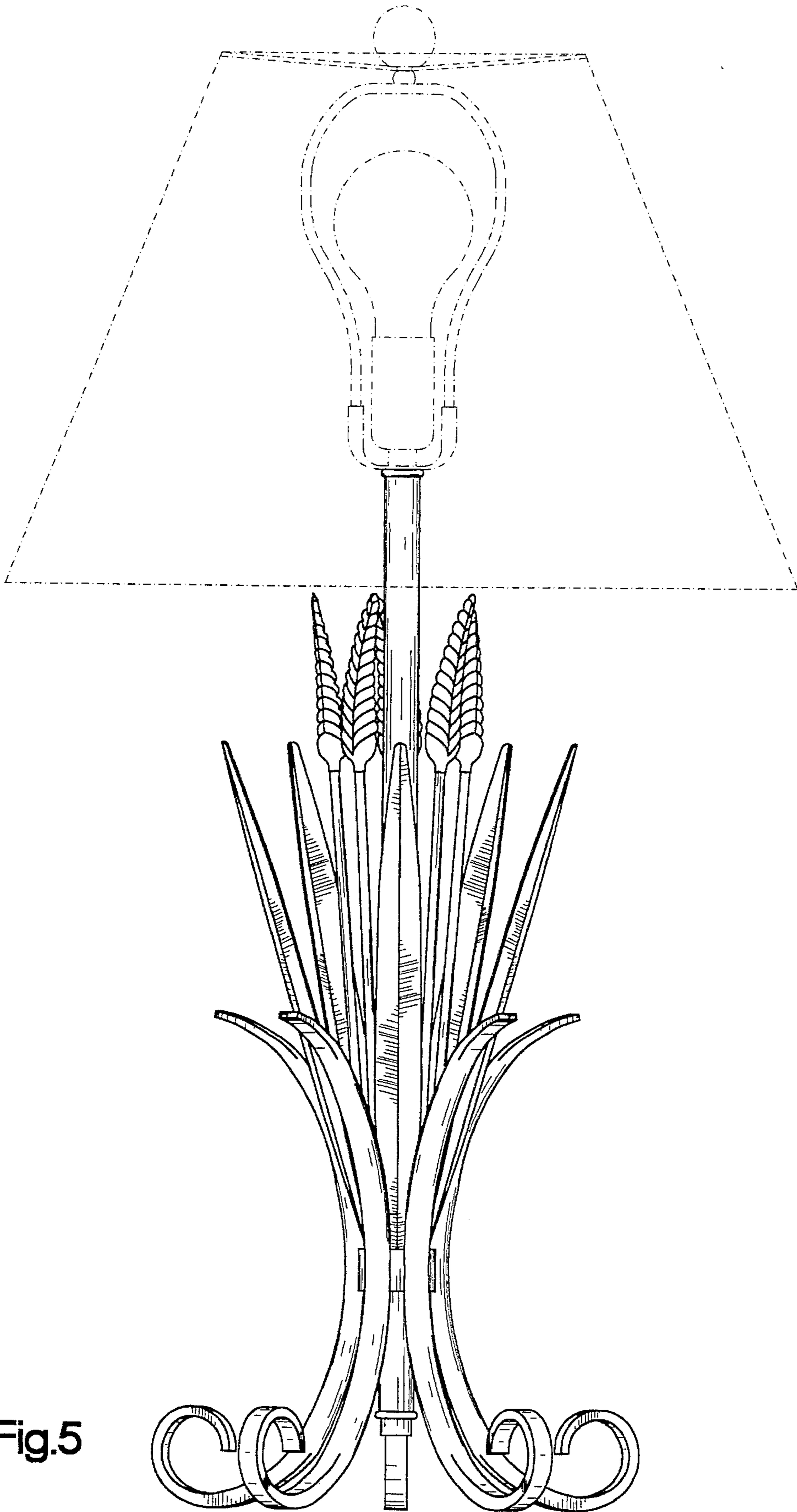


Fig.5

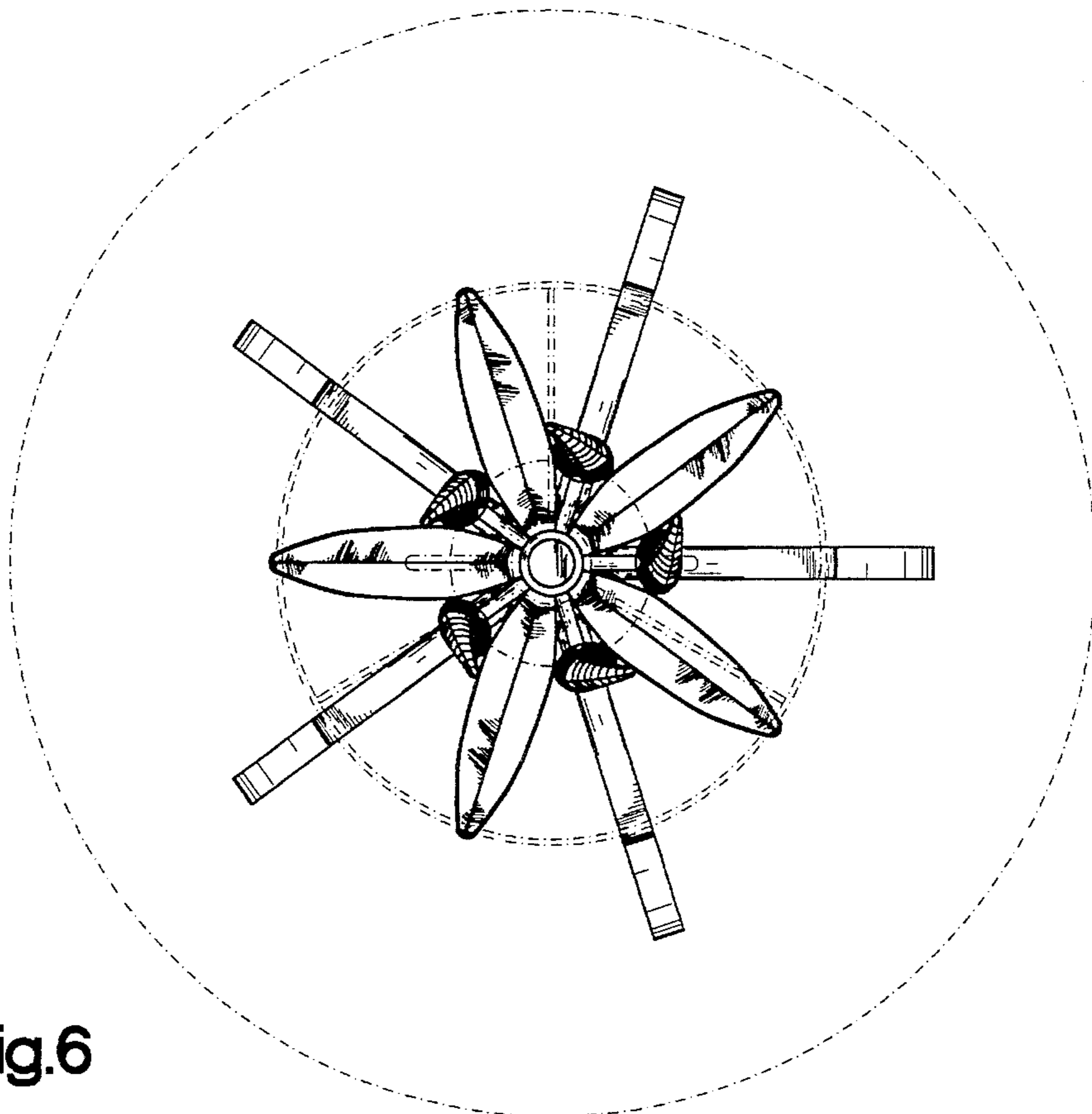


Fig.6

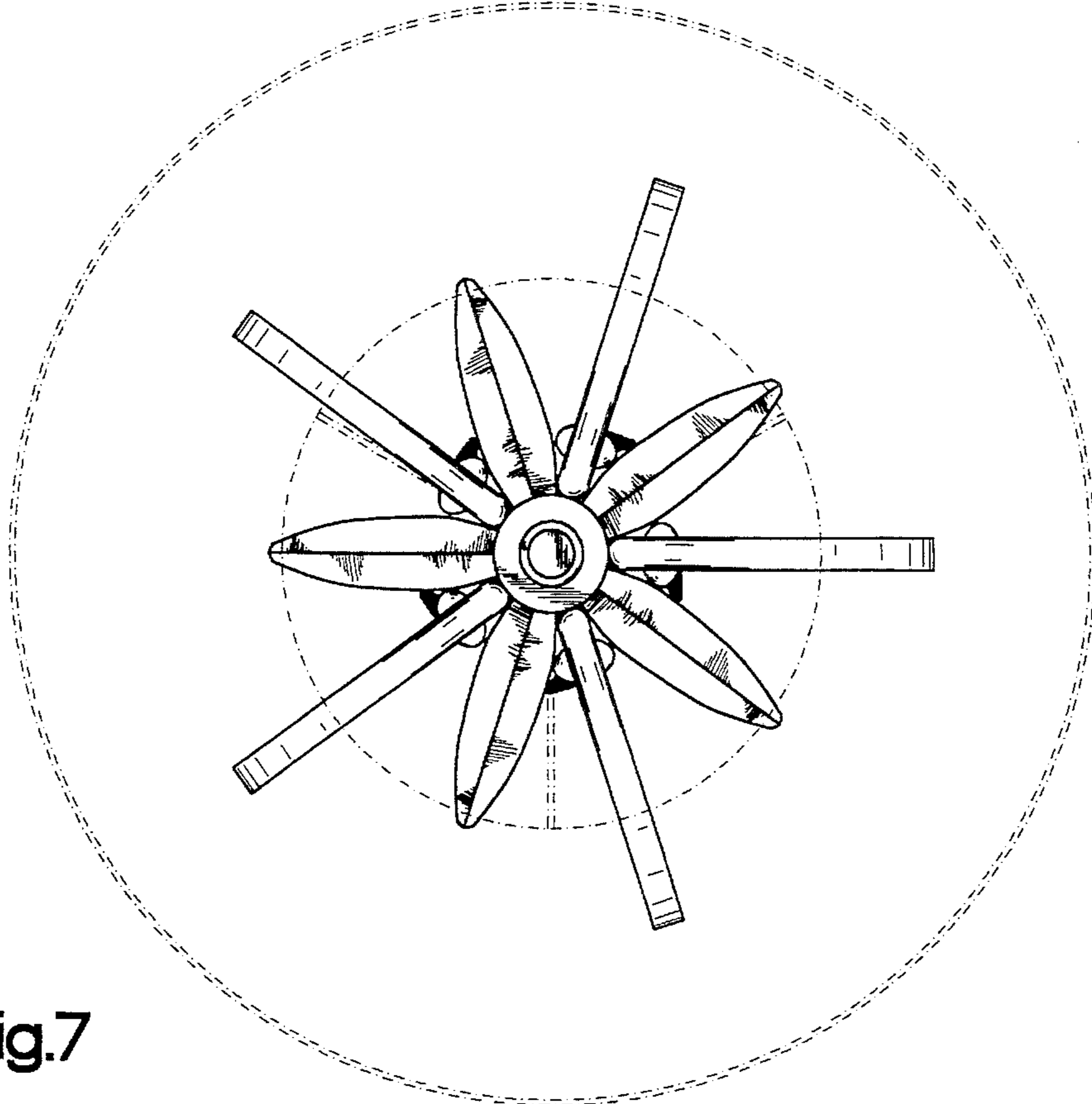


Fig.7