



US00D366338S

# United States Patent [19] Garrity

[11] Patent Number: **Des. 366,338**

[45] Date of Patent: **\*\*Jan. 16, 1996**

[54] FLASHLIGHT

[75] Inventor: **Kevin S. Garrity**, Madison, Conn.

[73] Assignee: **Garrity Industries, Inc.**, Madison, Conn.

[\*\*] Term: **14 Years**

[21] Appl. No.: **23,492**

[22] Filed: **May 25, 1994**

[52] U.S. Cl. .... **D26/49**

[58] Field of Search ..... D26/37-50; 362/157-158,  
362/171-172, 178, 181, 183, 192, 194,  
196-197, 200-206

[56] **References Cited**

**U.S. PATENT DOCUMENTS**

D. 344,811	3/1994	Garrity	.....	D26/49
D. 349,354	8/1994	Yau	.....	D26/37
2,855,499	10/1958	Lewis	.....	362/202
2,915,744	12/1959	Lewis	.....	362/205
3,076,891	2/1963	Moore	.....	362/202

*Primary Examiner*—A. Hugo Word  
*Assistant Examiner*—Robin V. Taylor

*Attorney, Agent, or Firm*—Fitzpatrick, Cella, Harper & Scinto

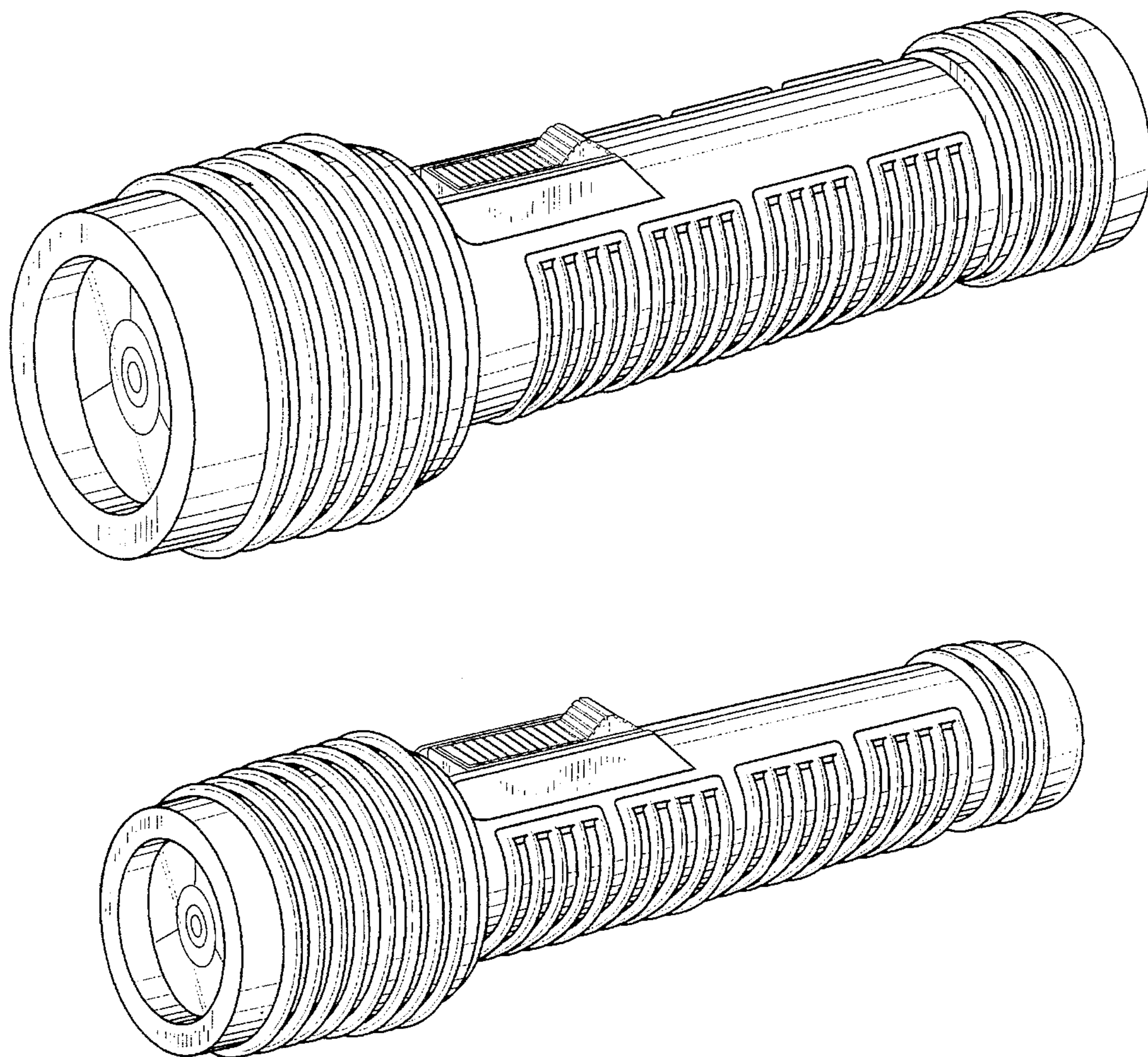
[57] **CLAIM**

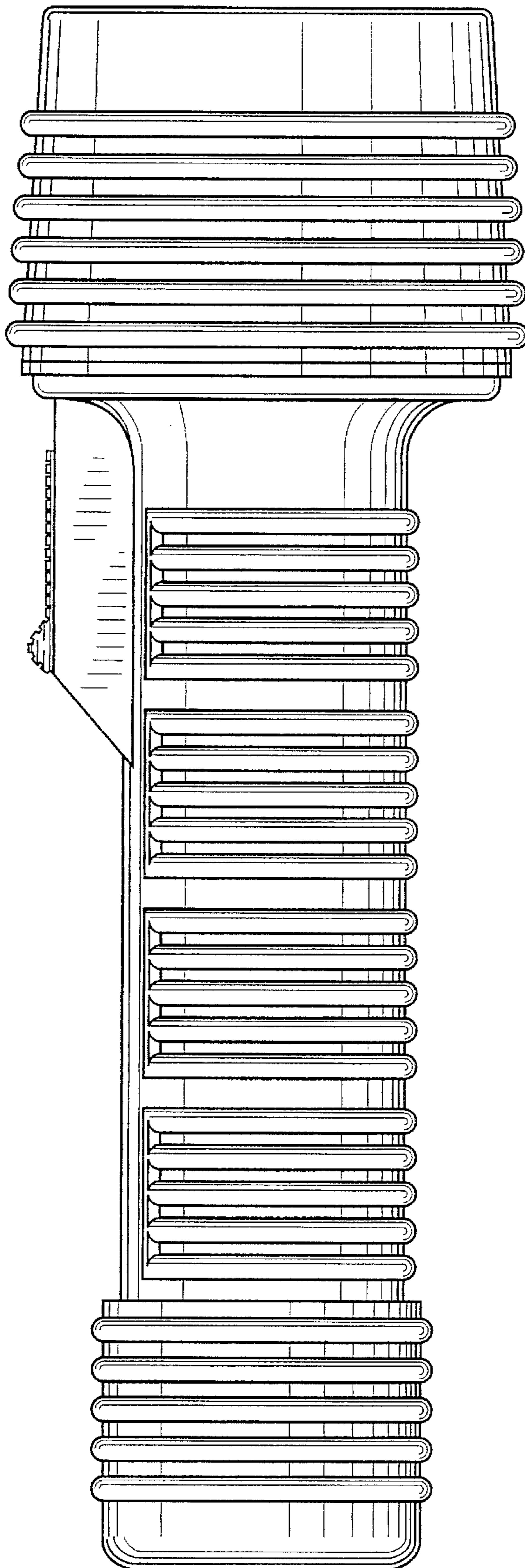
The ornamental design for a flashlight, as shown and described.

**DESCRIPTION**

FIG. 1 is a side elevational view of a flashlight showing my new design;  
FIG. 2 is a top plan view thereof;  
FIG. 3 is a front elevational view thereof;  
FIG. 4 is a rear elevational view thereof;  
FIG. 5 is a side elevational view of another embodiment thereof, the only difference being in the switch and proportion;  
FIG. 6 is a perspective view of the embodiment of the flashlight shown in FIGS. 1-4 as seen from the top and one side;  
FIG. 7 is a perspective view of the embodiment of the flashlight shown in FIG. 5 as seen from the top and one side; and,  
FIG. 8 is a bottom plan view of the embodiment of the flashlight shown in FIG. 1.

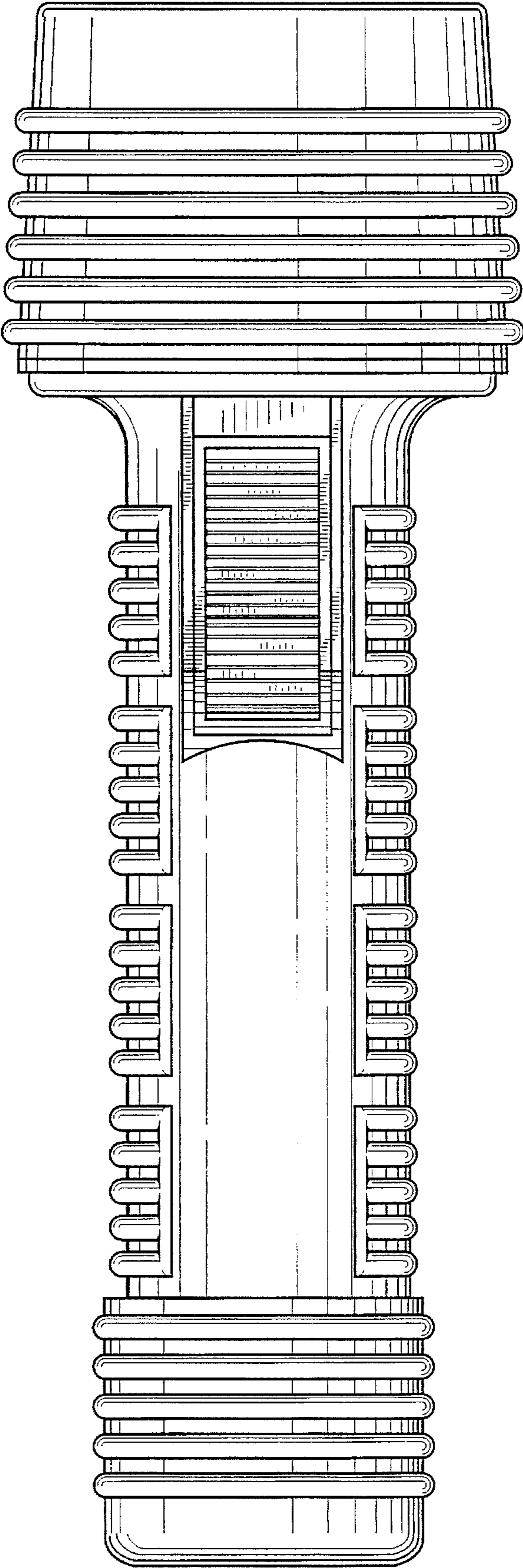
**1 Claim, 7 Drawing Sheets**



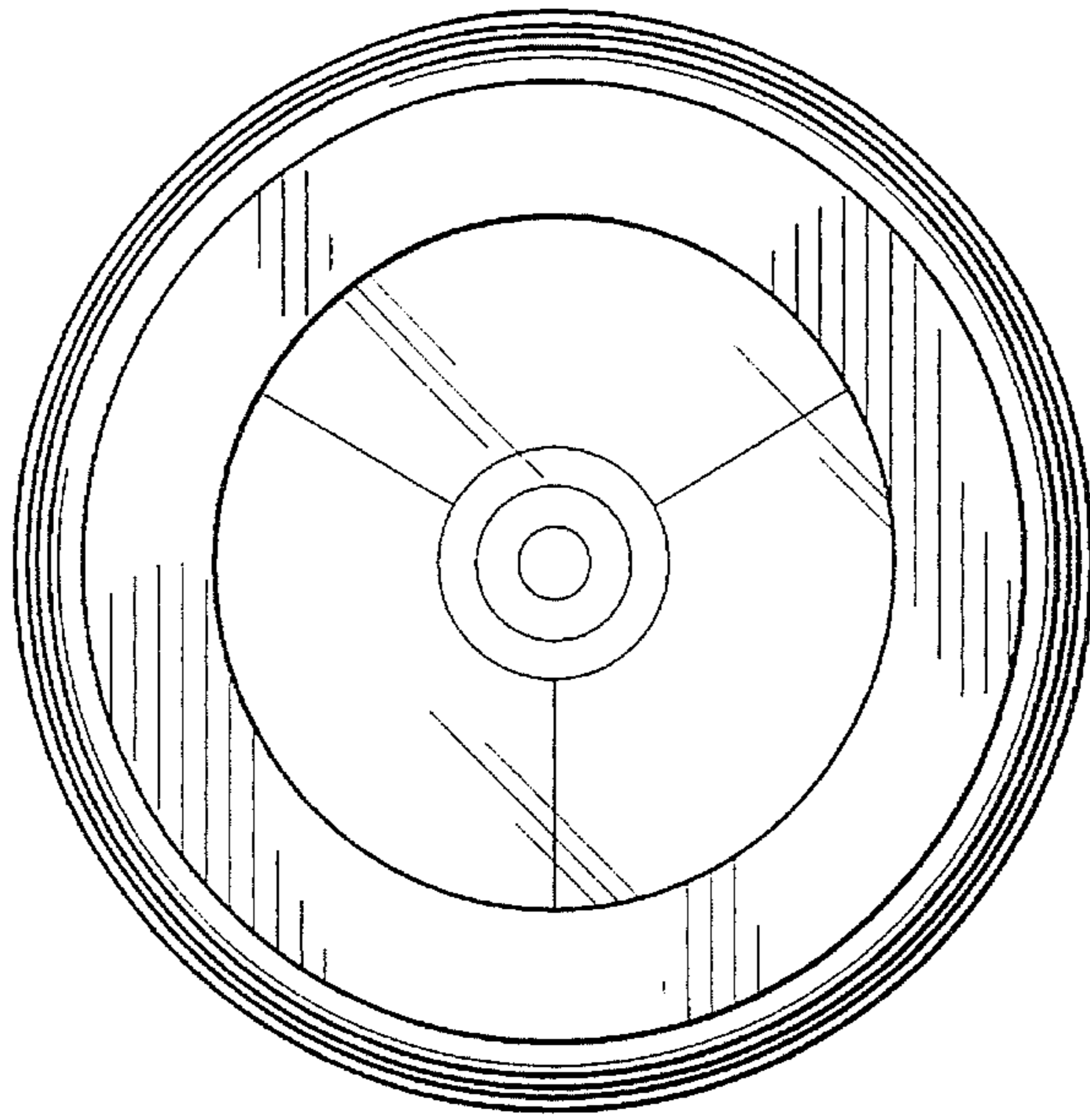


**FIG. 1**

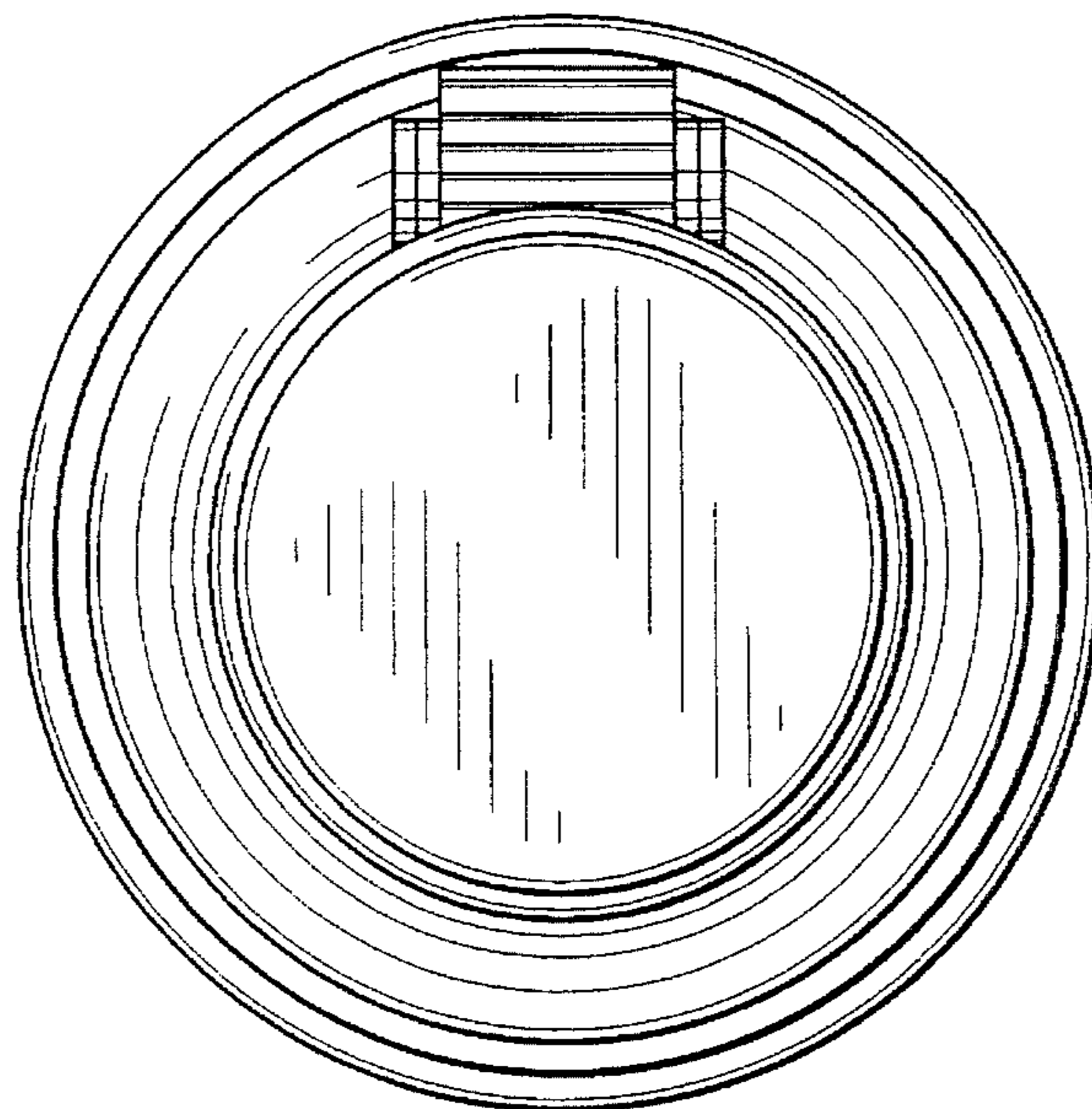
**FIG. 2**



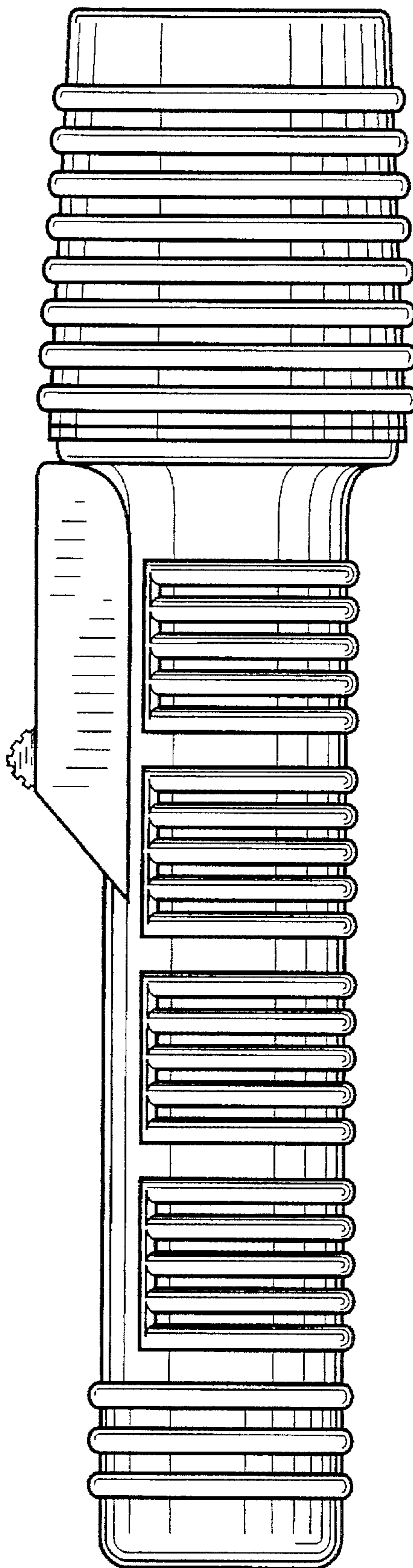
**FIG. 3**



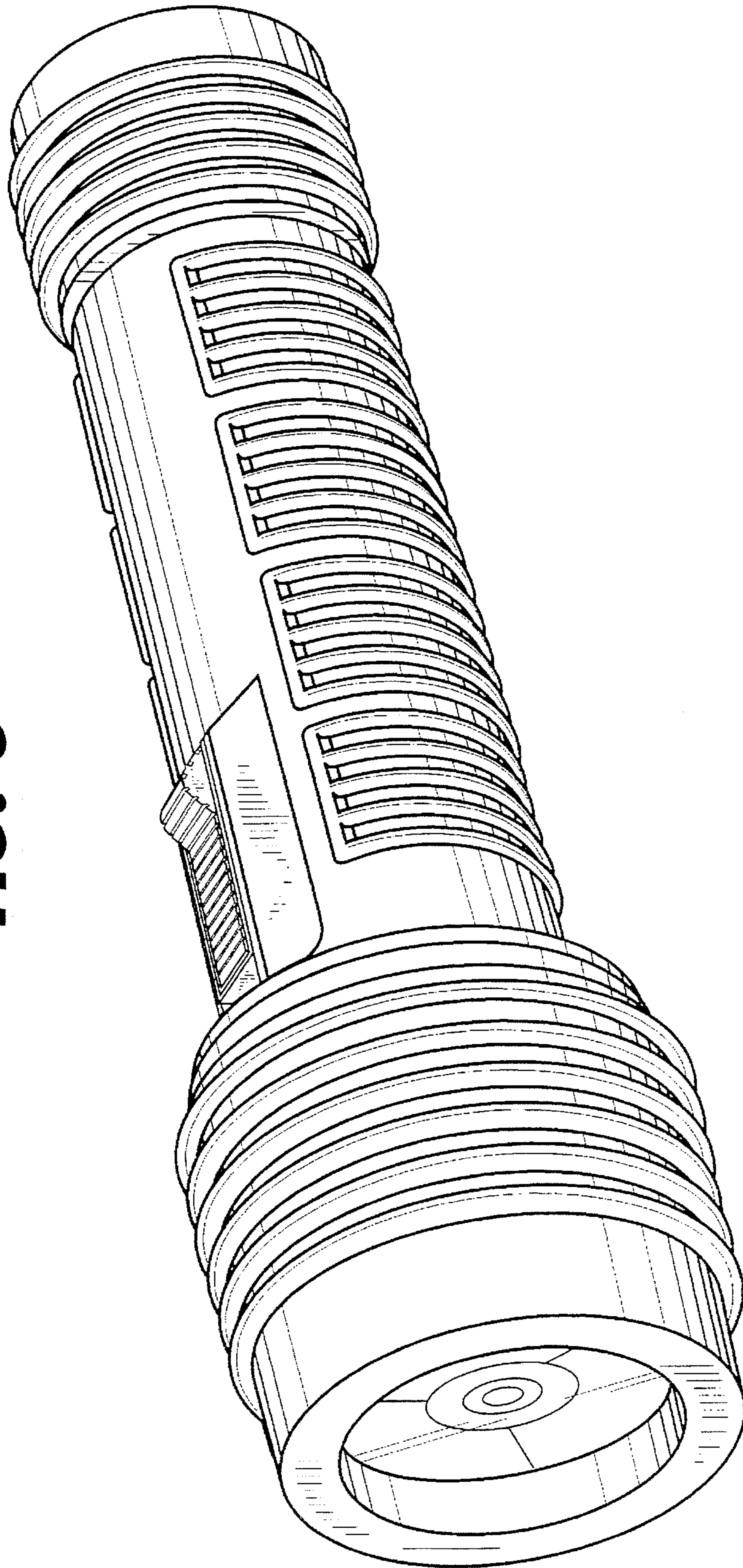
**FIG. 4**



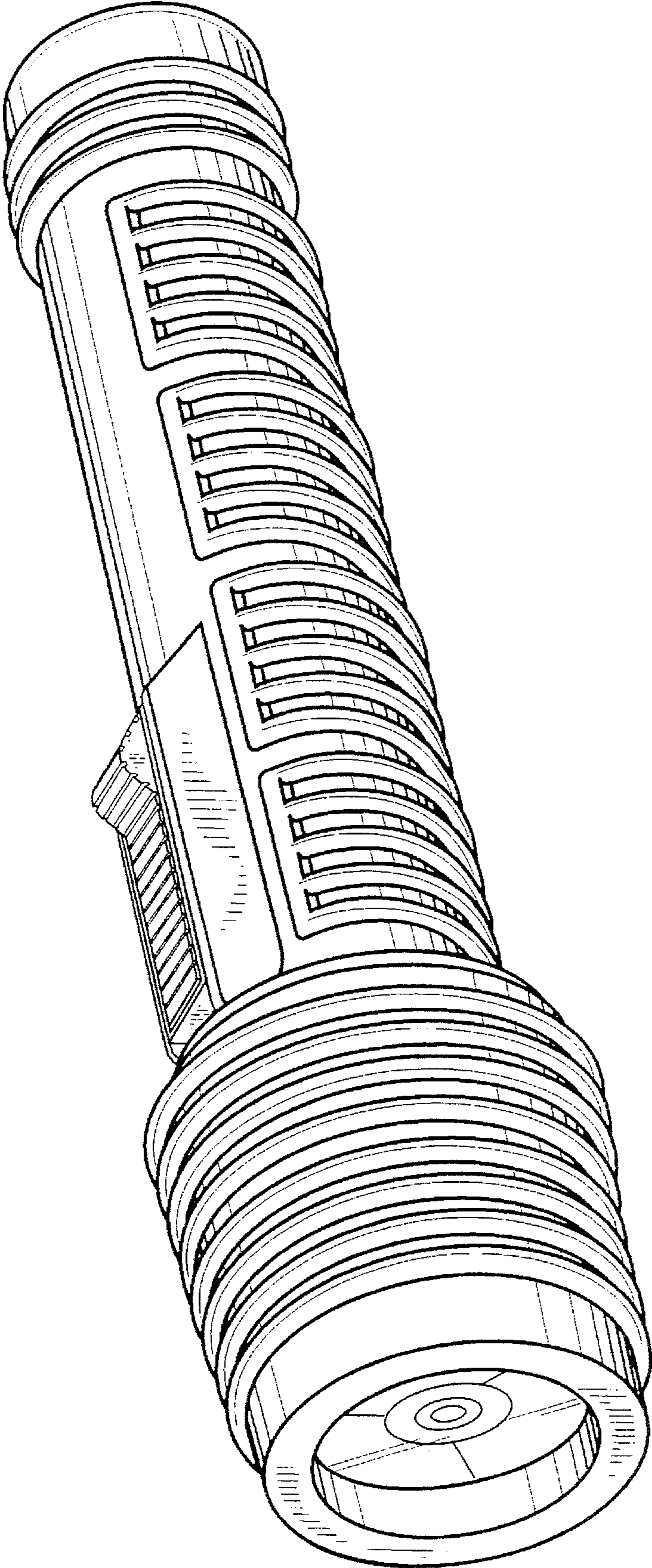
**FIG. 5**

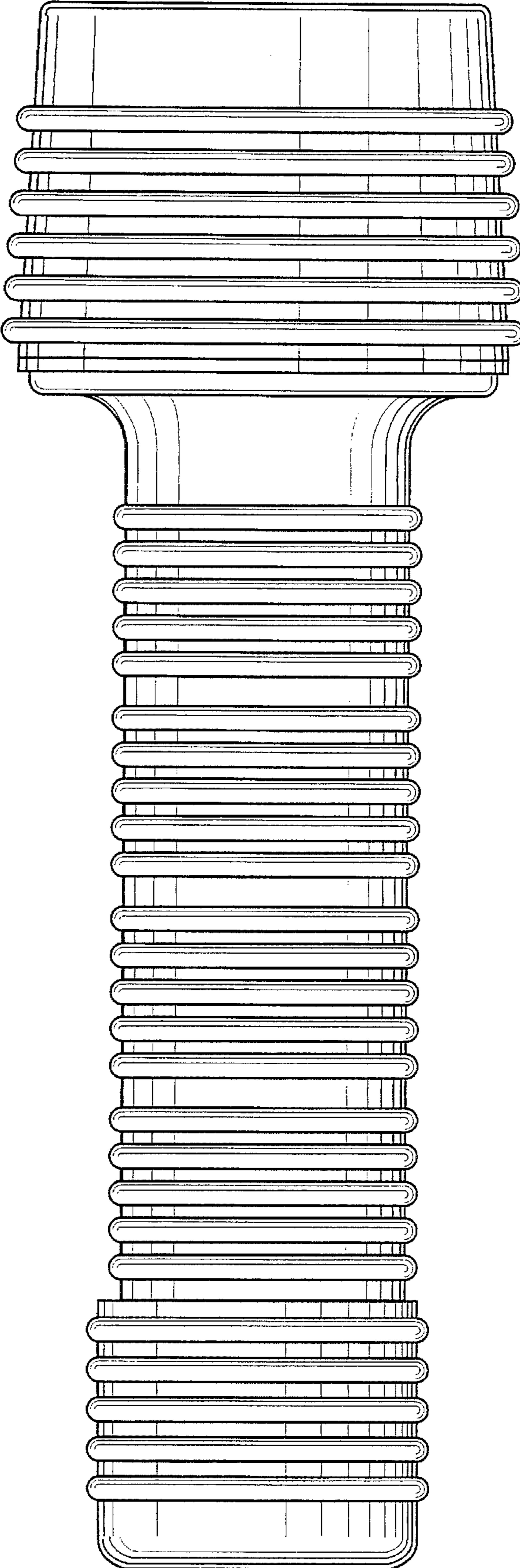


**FIG. 6**



**FIG. 7**





**FIG. 8**