



US00D366337S

# United States Patent [19]

Yuen

[11] Patent Number: **Des. 366,337**

[45] Date of Patent: **\*\*Jan. 16, 1996**

[54] **ADJUSTABLE MULTIPURPOSE LANTERN**

D. 338,542	8/1993	Yuen	.....	D26/44	X
D. 344,358	2/1994	Yuen	.....	D26/44	X
4,364,104	12/1982	Holahan et al.	.....	D26/37	X

[75] Inventor: **Se K. Yuen**, Kowloon, Hong Kong

[73] Assignee: **John Manufacturing Limited**,  
Kowloon, Hong Kong

*Primary Examiner*—Susan J. Lucas  
*Attorney, Agent, or Firm*—Darby & Darby

[\*\*] Term: **14 Years**

[57] **CLAIM**

[21] Appl. No.: **33,739**

The ornamental design for adjustable multipurpose lantern, as shown and described.

[22] Filed: **Jan. 19, 1995**

**DESCRIPTION**

**Related U.S. Application Data**

[63] Continuation of Ser. No. 16,729, Dec. 22, 1993, abandoned.

FIG. 1 is a perspective view as seen from the front of adjustable multipurpose lantern showing my new design;  
 FIG. 2 is a front elevational view thereof;  
 FIG. 3 is a top plan view thereof;  
 FIG. 4 is a left side elevational view thereof;  
 FIG. 5 is a bottom plan view thereof;  
 FIG. 6 is a rear elevational view thereof;  
 FIG. 7 is a right side elevational view thereof;  
 FIG. 8 is a perspective view from the front showing the lighting elements in rotated position;  
 FIG. 9 is a rear elevational view thereof; and,  
 FIG. 10 is a top plan view thereof.

[30] **Foreign Application Priority Data**

Aug. 11, 1993 [GB] United Kingdom ..... 2033086

[52] U.S. Cl. .... **D26/44**

[58] Field of Search ..... D26/37-50; 362/157,  
362/158, 183, 184, 187-191, 196-202

[56] **References Cited**

**U.S. PATENT DOCUMENTS**

D. 328,144 7/1992 Yuen ..... D26/44

**1 Claim, 4 Drawing Sheets**

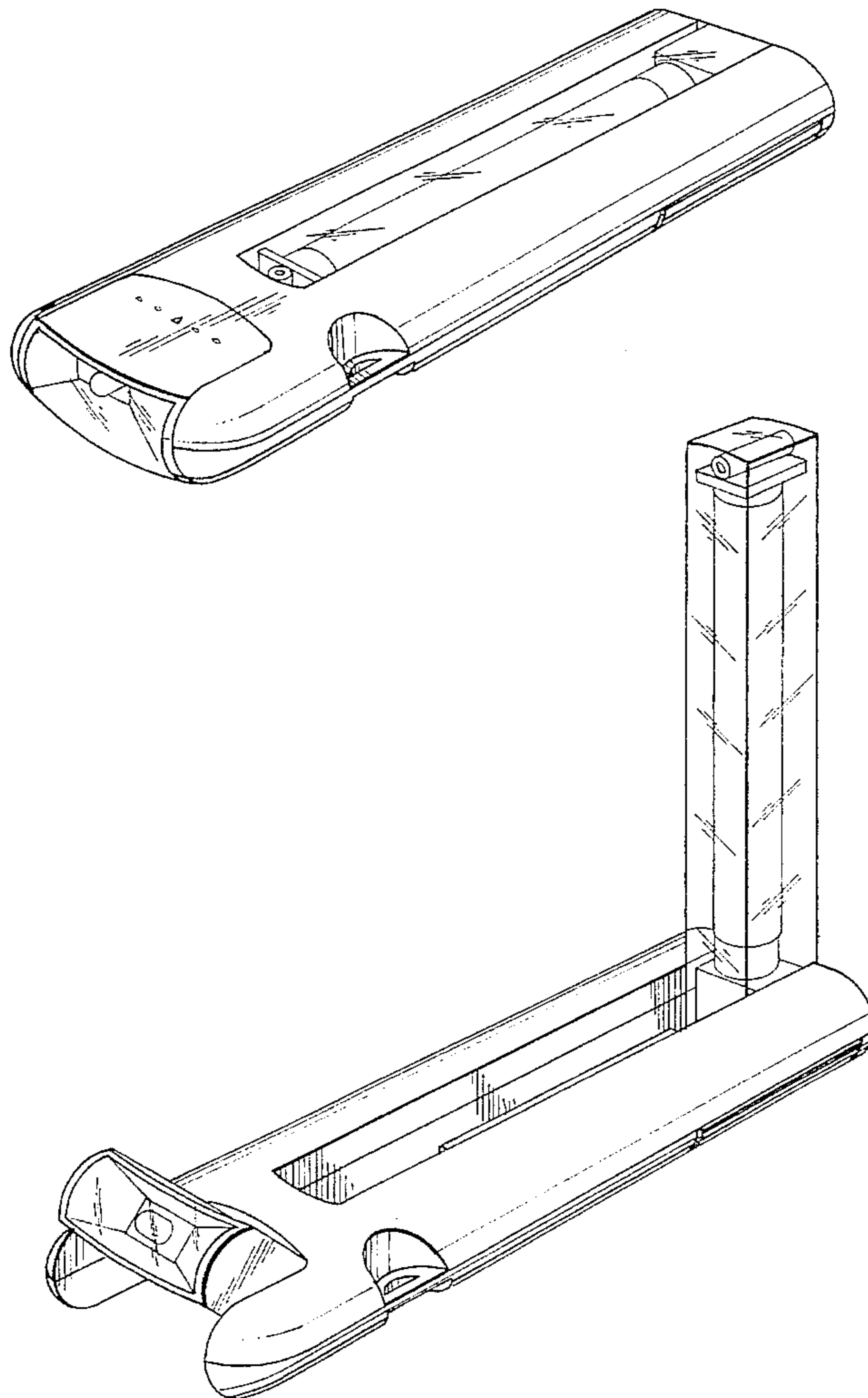


FIG. 1

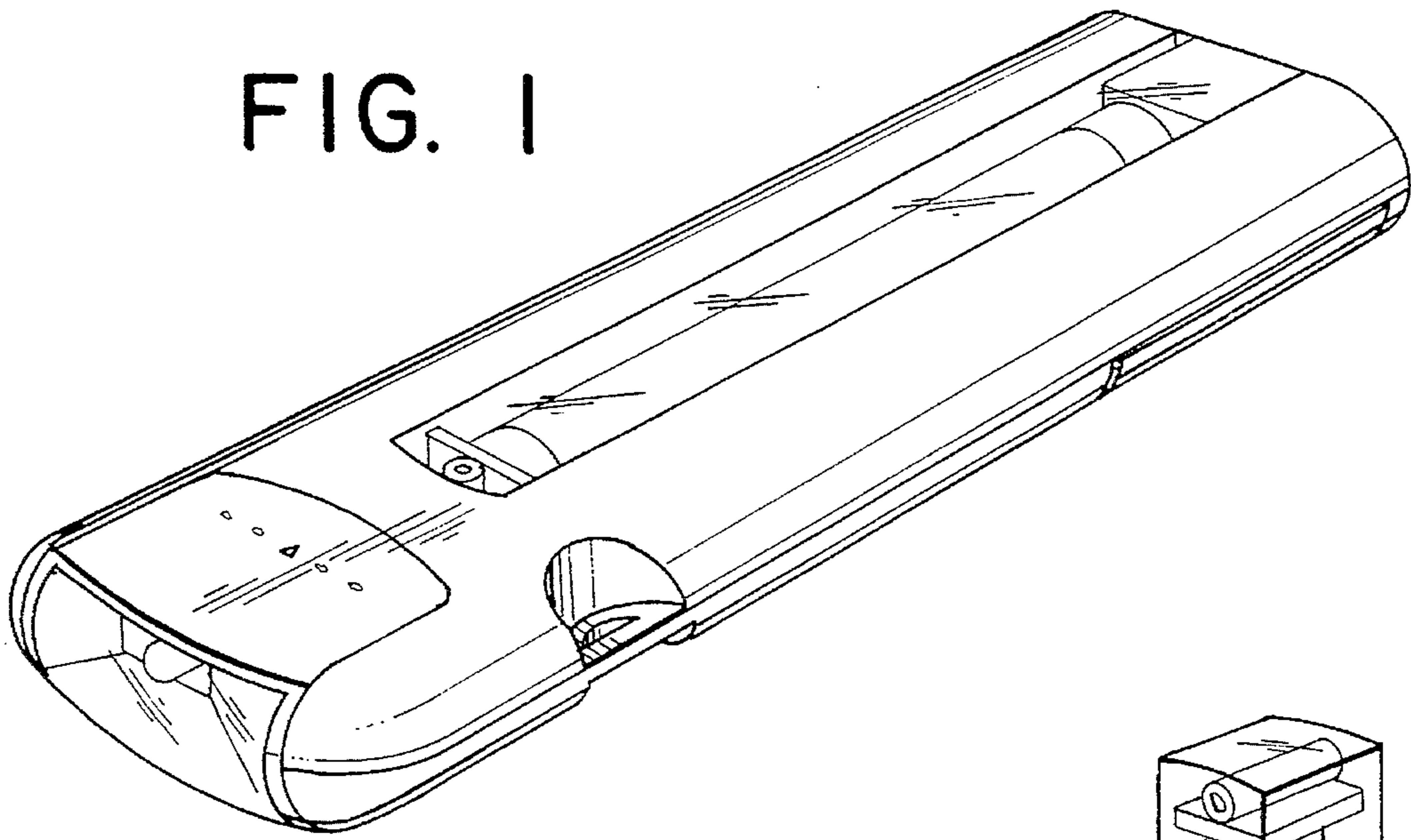


FIG. 8

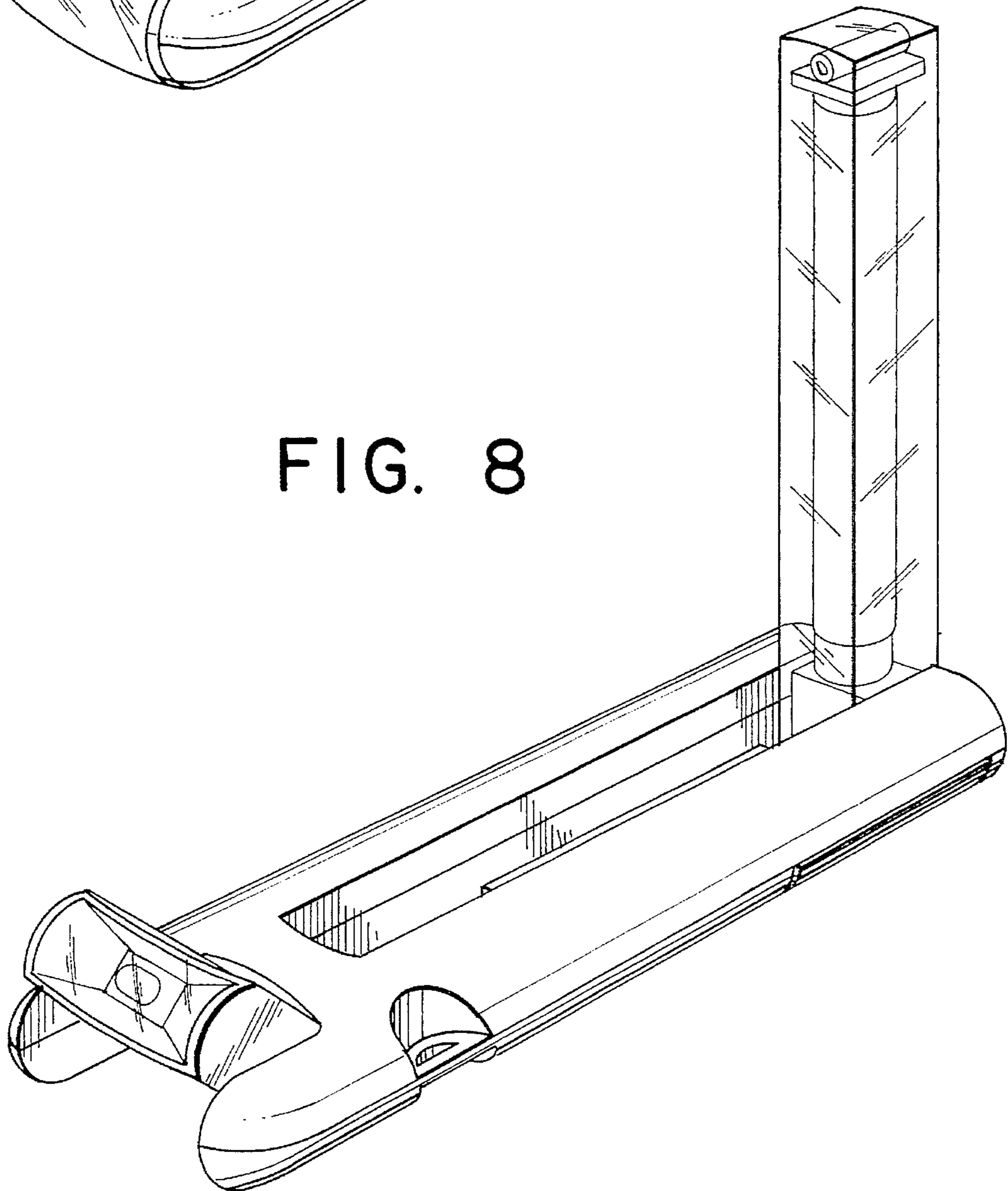


FIG. 2

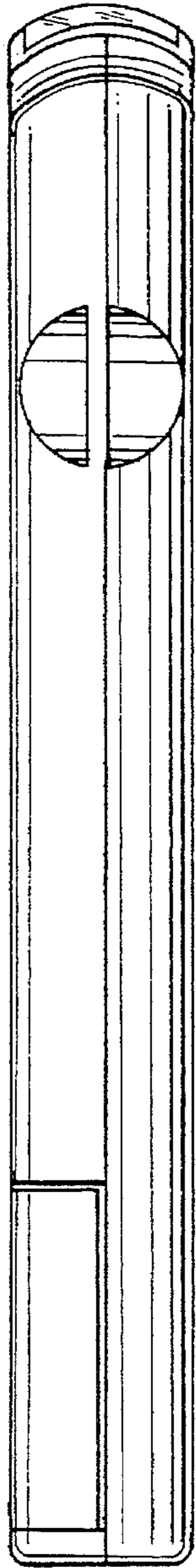


FIG. 3

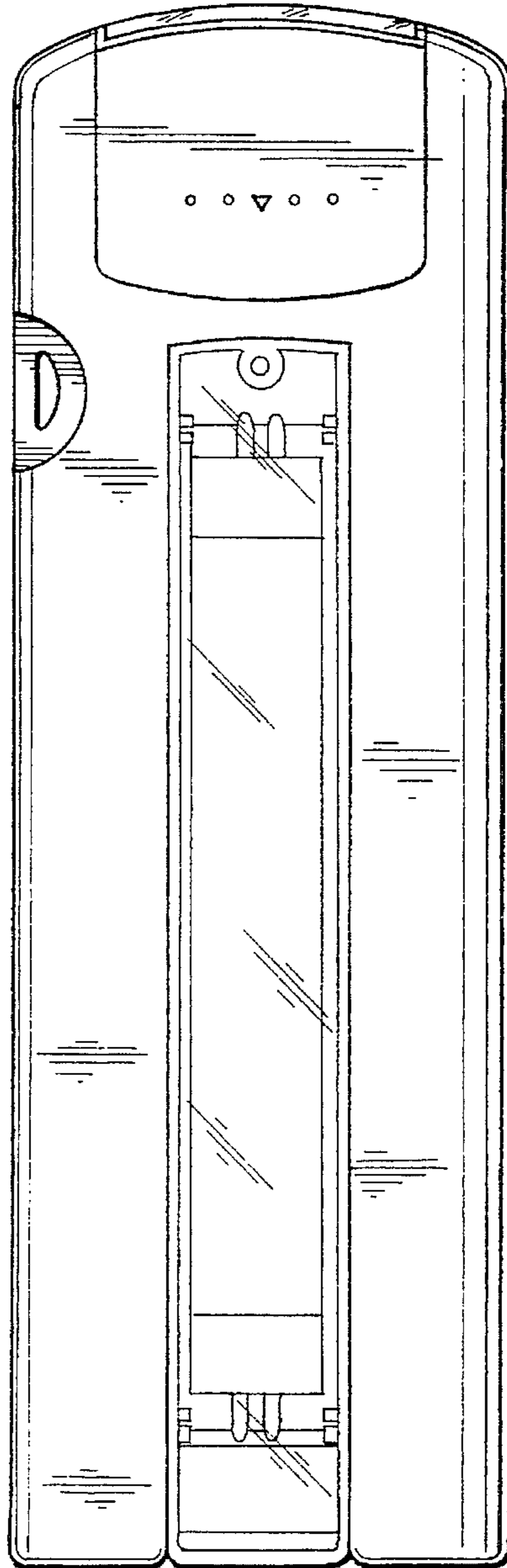


FIG. 4

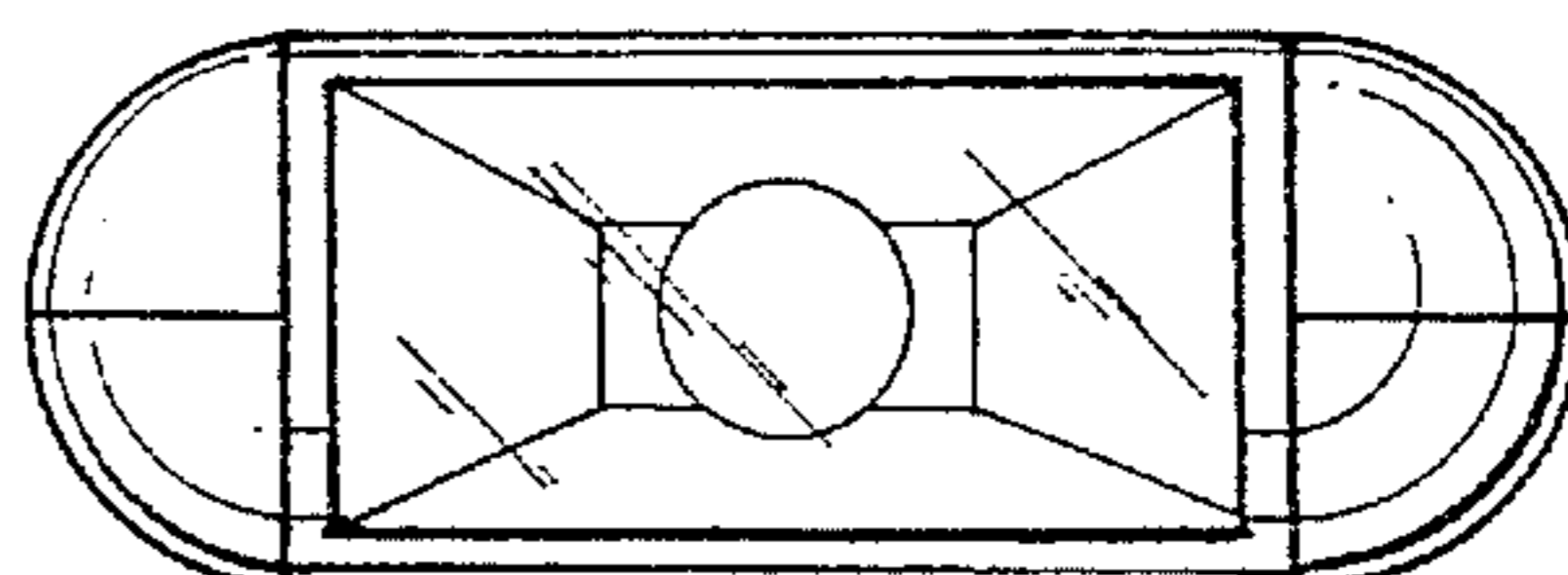


FIG. 5

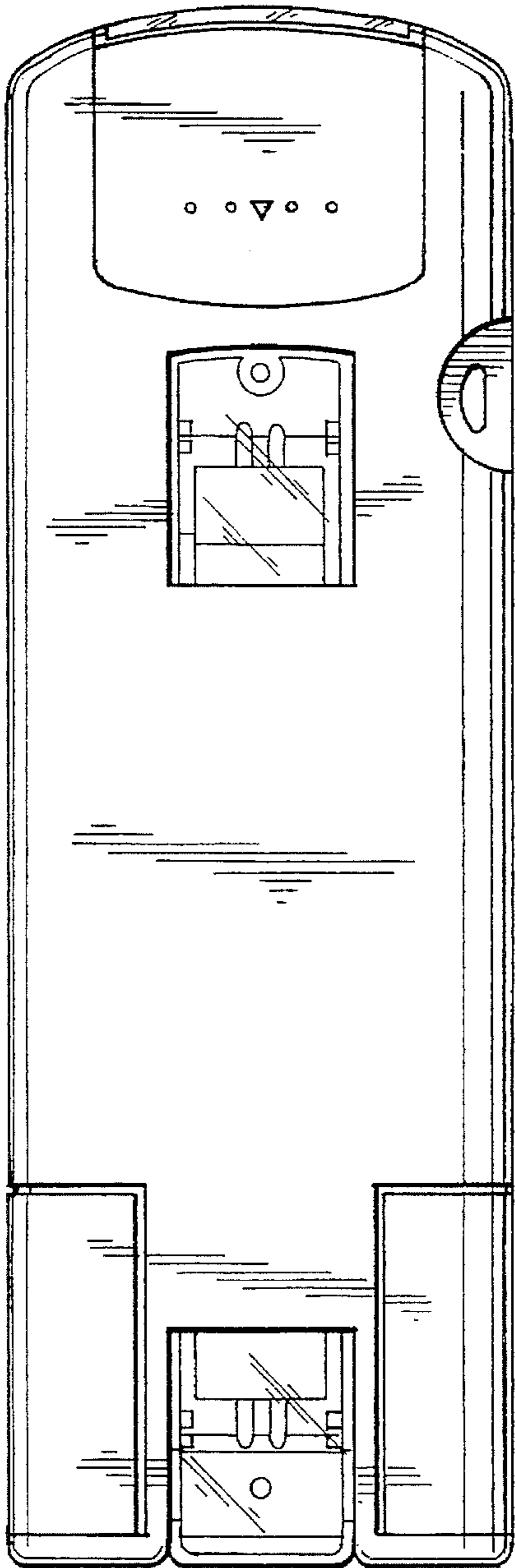


FIG. 6

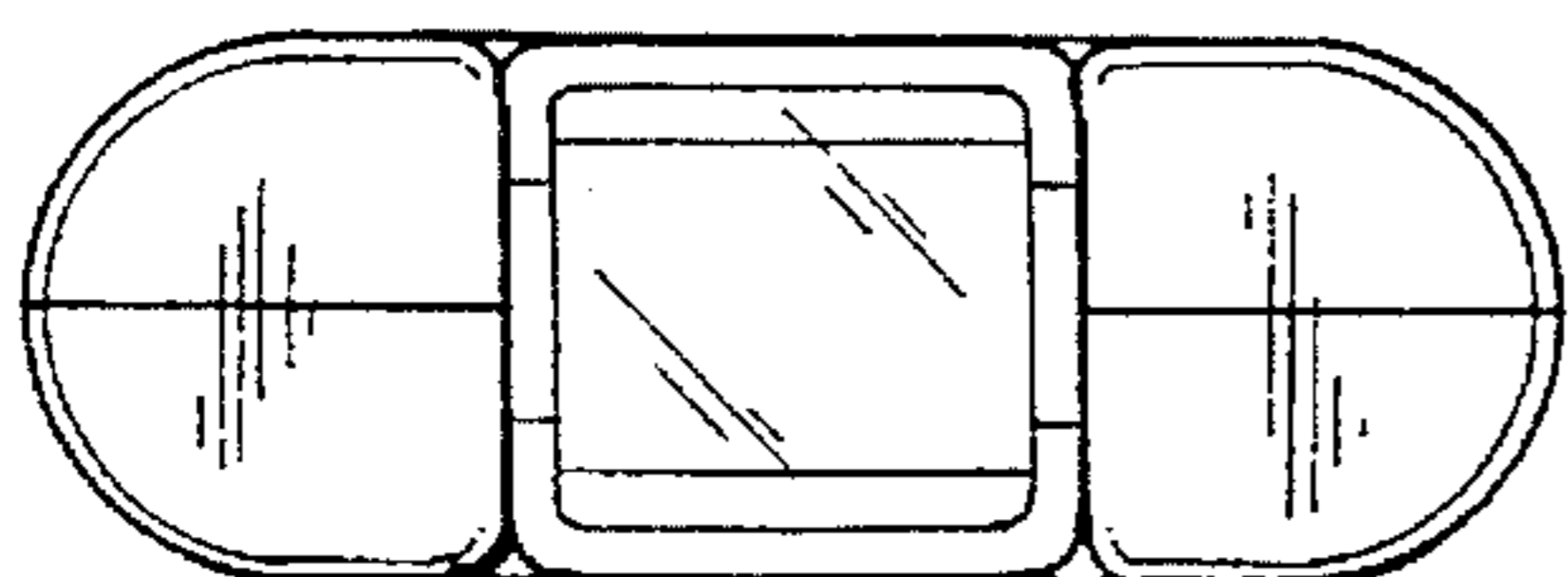
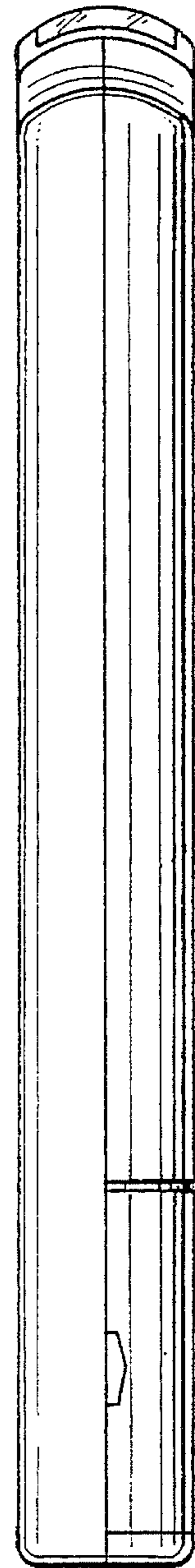


FIG. 7

FIG. 10

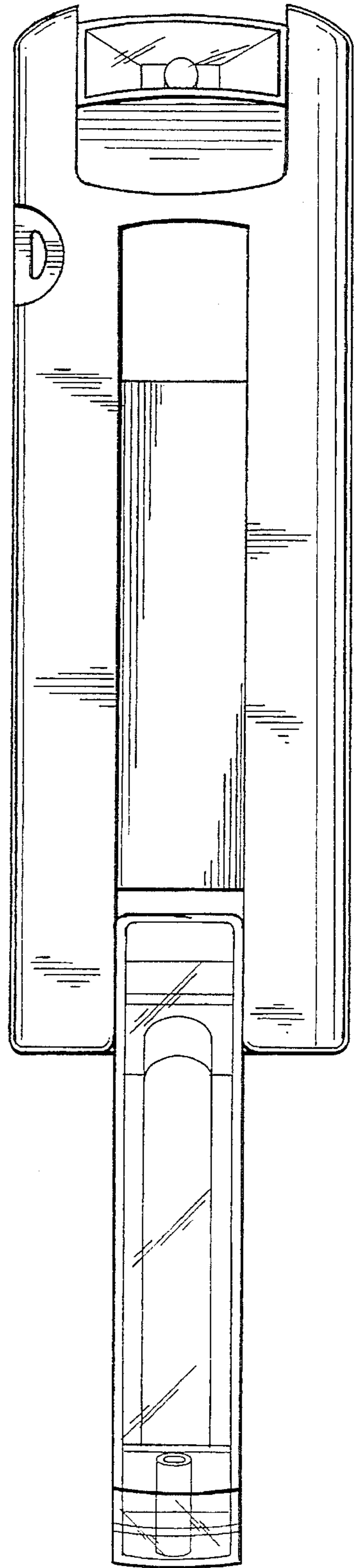


FIG. 9

