



US00D366334S

United States Patent [19]

Goss, Jr.

[11] Patent Number: **Des. 366,334**

[45] Date of Patent: ****Jan. 16, 1996**

[54] WINDOW COMPONENT EXTRUSION

D. 351,663 10/1994 Cole D25/124
D. 353,681 12/1994 Hosseini D25/124

[75] Inventor: **Lorane C. Goss, Jr.**, Slippery Rock, Pa.

Primary Examiner—Doris Clark
Attorney, Agent, or Firm—Seed and Berry

[73] Assignee: **Mikron Industries**, Kent, Wash.

[**] Term: **14 Years**

[57] **CLAIM**

[21] Appl. No.: **39,616**

The ornamental design for a window component extrusion, as shown and described.

[22] Filed: **May 31, 1995**

DESCRIPTION

[52] U.S. Cl. **D25/124**

[58] Field of Search D25/124, 52, 61;
49/504, 505, DIG. 1; 52/202, 204.1, 204.5

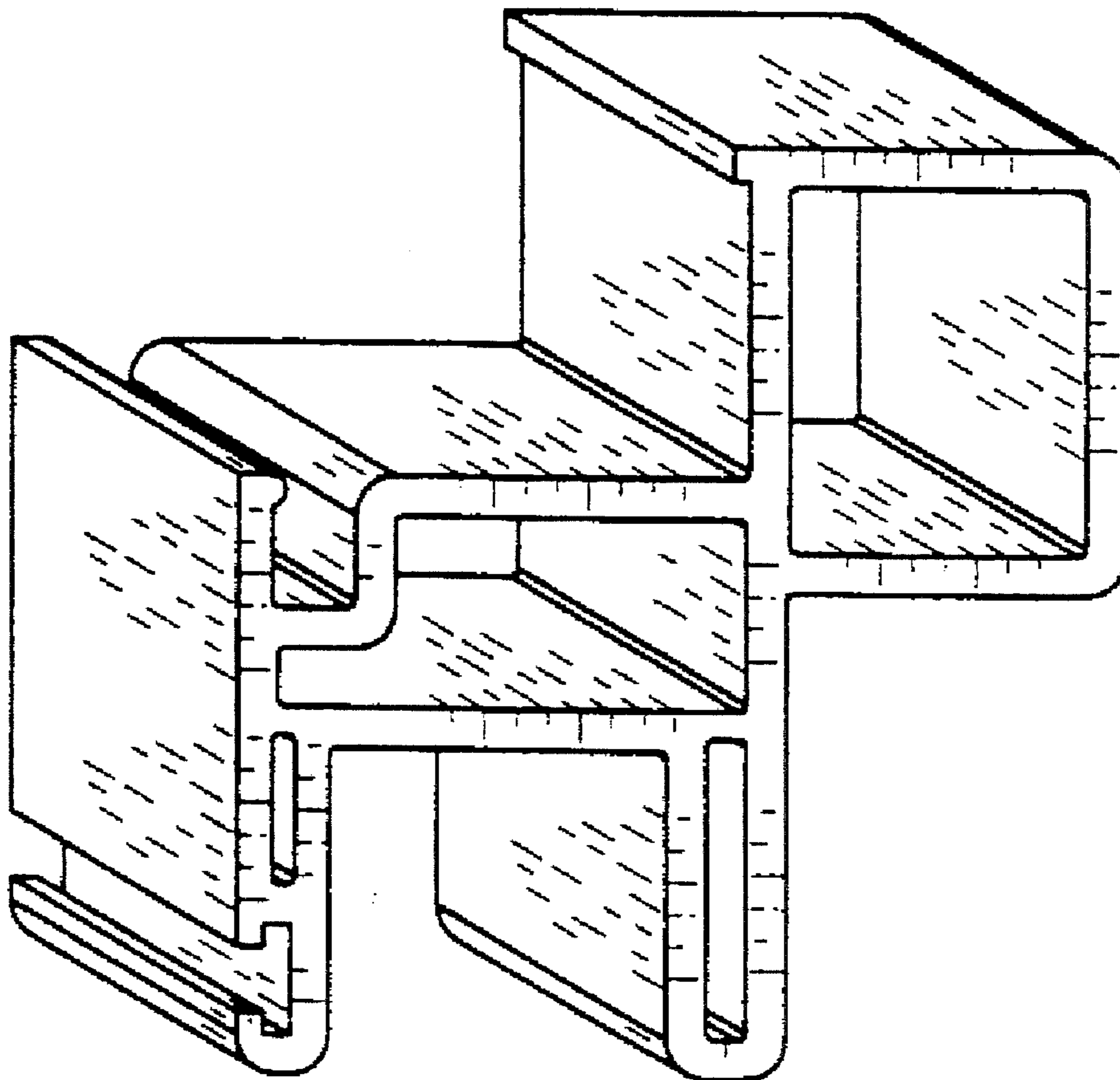
FIG. 1 is a top right perspective view of a window component extrusion showing my new design, the window component extrusion being of indefinite length; and, FIG. 2 is a bottom left perspective view thereof.

[56] **References Cited**

U.S. PATENT DOCUMENTS

D. 334,432 3/1993 Cole D25/124

1 Claim, 1 Drawing Sheet



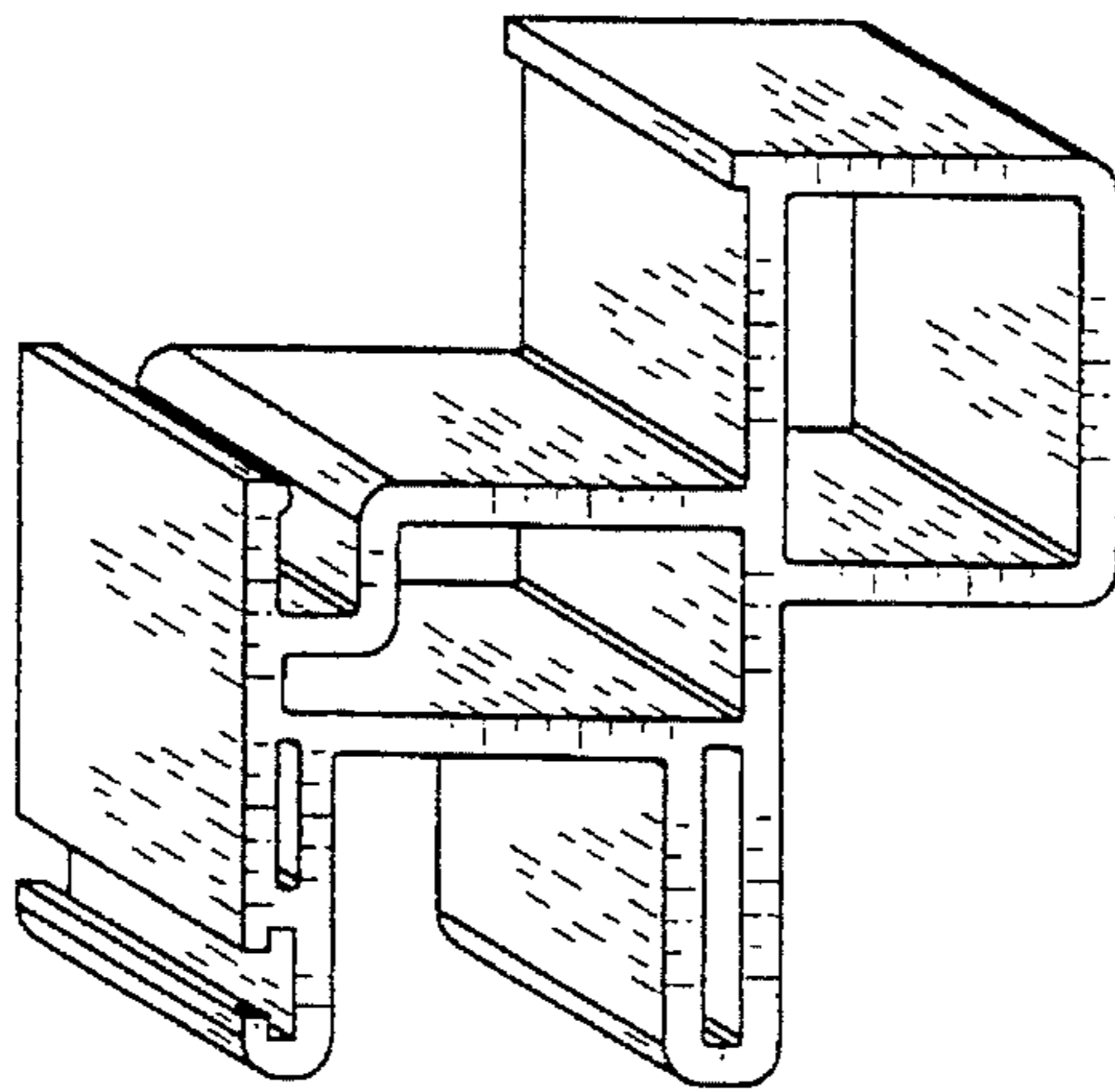


FIG. 1

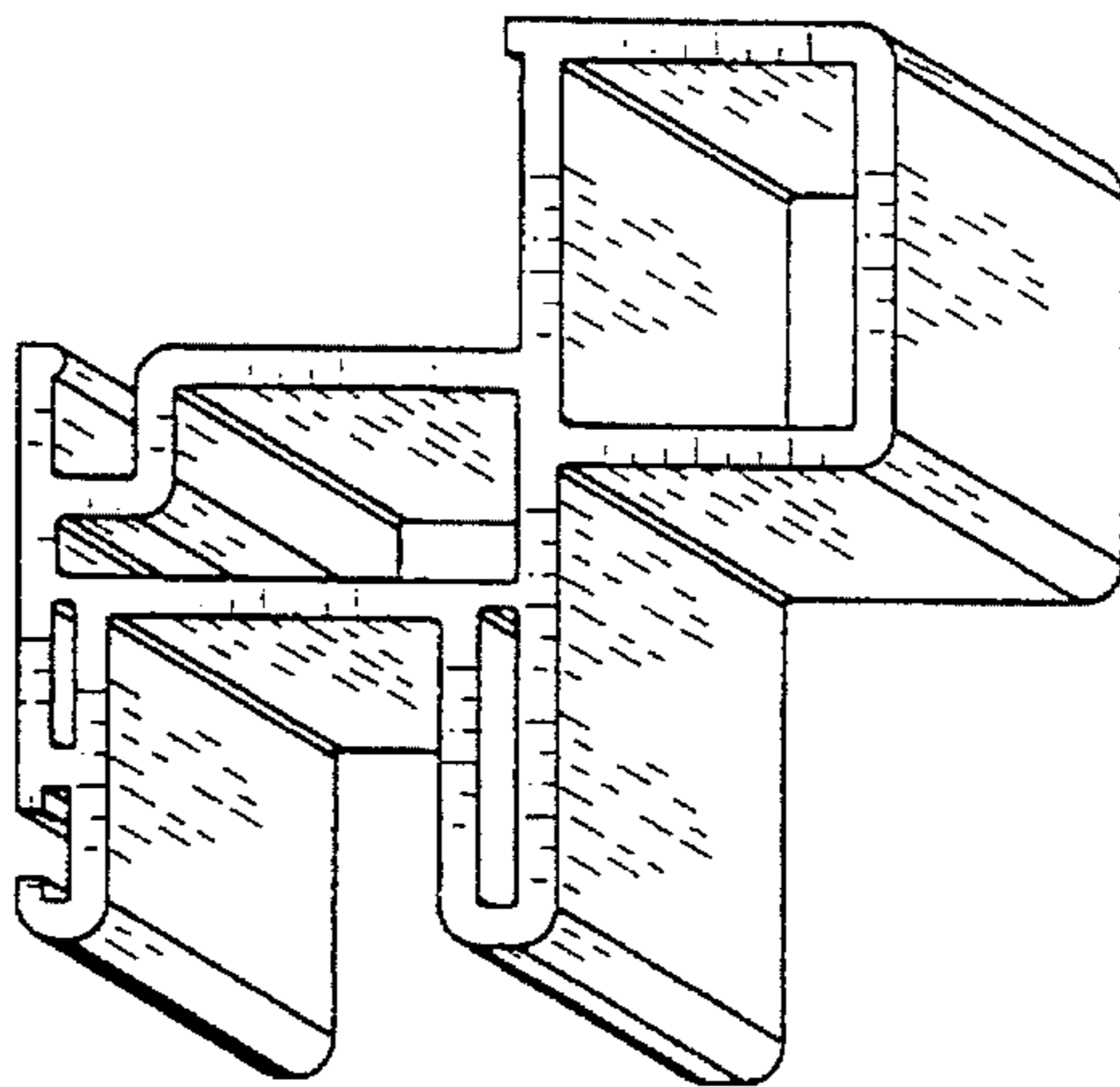


FIG. 2