



US00D366332S

**United States Patent** [19]  
**Oliver**

[11] **Patent Number: Des. 366,332**

[45] **Date of Patent: \*\*Jan. 16, 1996**

[54] **WINDOW COMPONENT EXTRUSION**

4,949,506 8/1990 Dorham, Jr. .... 49/DIG. 2

[75] Inventor: **Teresa A. Oliver**, Kent, Wash.

*Primary Examiner*—Doris Clark  
*Attorney, Agent, or Firm*—Seed and Berry

[73] Assignee: **Mikron Industries**, Kent, Wash.

[\*\*] Term: **14 Years**

[57] **CLAIM**

[21] Appl. No.: **39,567**

The ornamental design for a window component extrusion, as shown and described.

[22] Filed: **May 31, 1995**

**DESCRIPTION**

[52] U.S. Cl. .... **D25/124**

[58] **Field of Search** ..... D25/52, 60, 124,  
D25/125; 49/DIG. 2, 504, 505; 52/204.5,  
204.56, 204.51, 730.3, 204.1

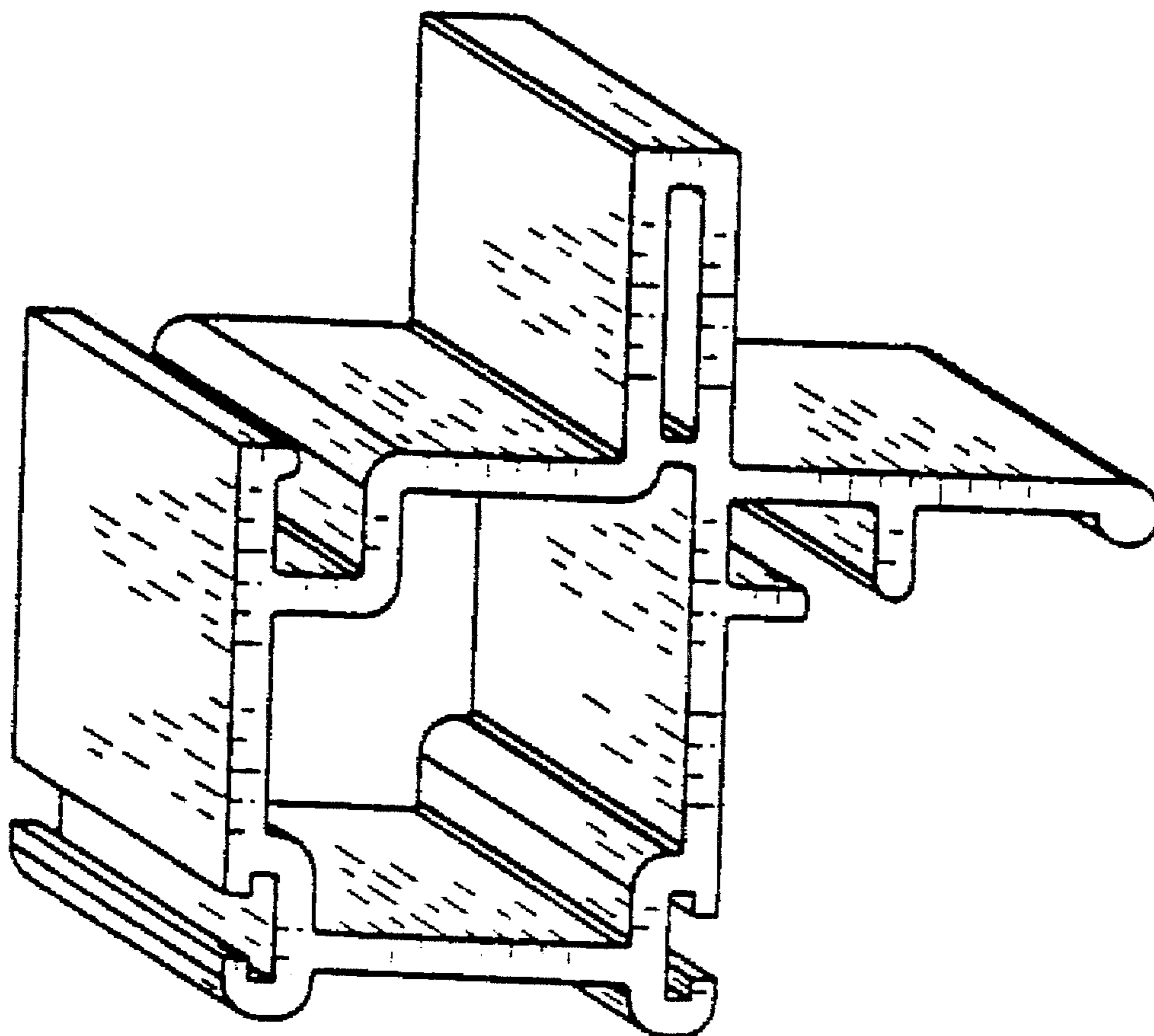
FIG. 1 is a top right perspective view of a window component extrusion showing my new design, the window component extrusion being of indefinite length; and, FIG. 2 is a bottom left perspective view thereof.

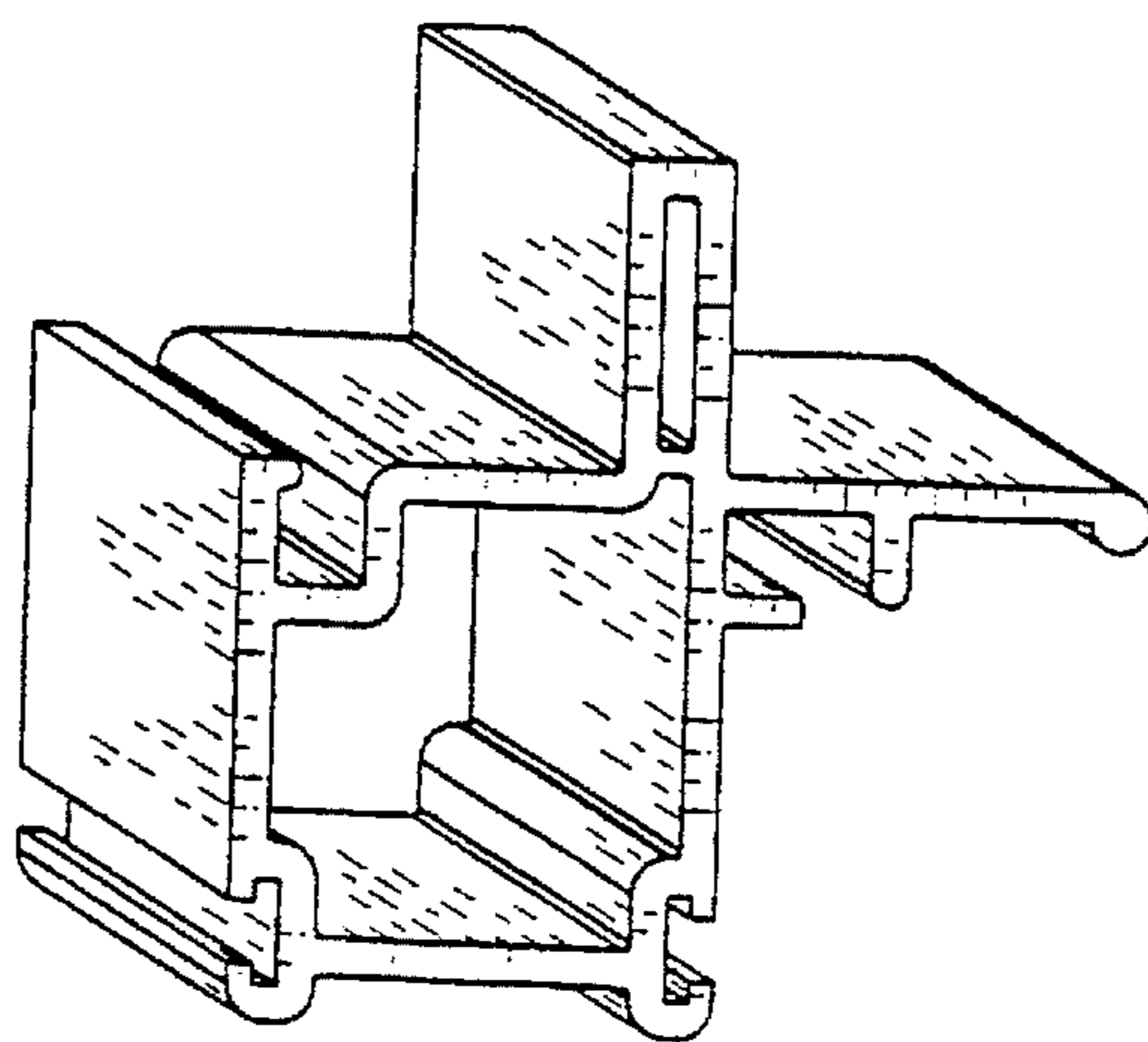
[56] **References Cited**

**U.S. PATENT DOCUMENTS**

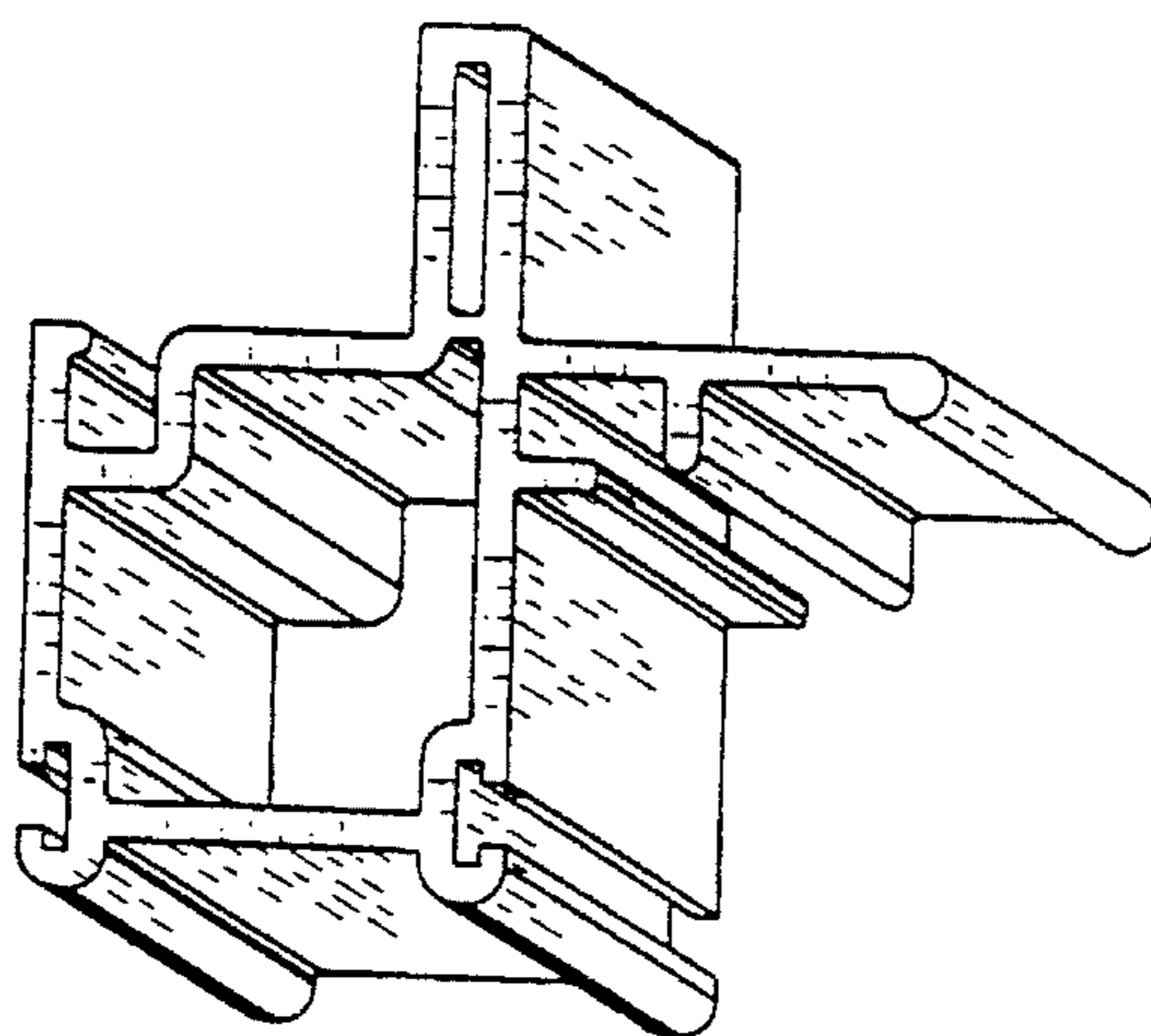
D. 351,662 10/1994 Cole ..... D25/124

**1 Claim, 1 Drawing Sheet**





*FIG. 1*



*FIG. 2*