



US00D366331S

United States Patent [19]

Goss, Jr.

[11] Patent Number: **Des. 366,331**

[45] Date of Patent: ****Jan. 16, 1996**

[54] **WINDOW COMPONENT EXTRUSION**

4,492,063 1/1985 Schock et al. 49/DIG. 2

[75] Inventor: **Lorane C. Goss, Jr.**, Slippery Rock, Pa.

Primary Examiner—Doris Clark
Attorney, Agent, or Firm—Seed and Berry

[73] Assignee: **Mikron Industries**, Kent, Wash.

[**] Term: **14 Years**

[57] CLAIM

[21] Appl. No.: **39,566**

The ornamental design for a window component extrusion, as shown and described.

[22] Filed: **May 31, 1995**

DESCRIPTION

[52] U.S. Cl. **D25/124**

[58] Field of Search D25/52, 60, 124,
D25/125; 49/DIG. 2, 504, 505; 52/204.5,
204.56, 204.51, 730.3, 204.1

FIG. 1 is a top right perspective view of a window component extrusion showing my new design, the window component extrusion being of indefinite length.

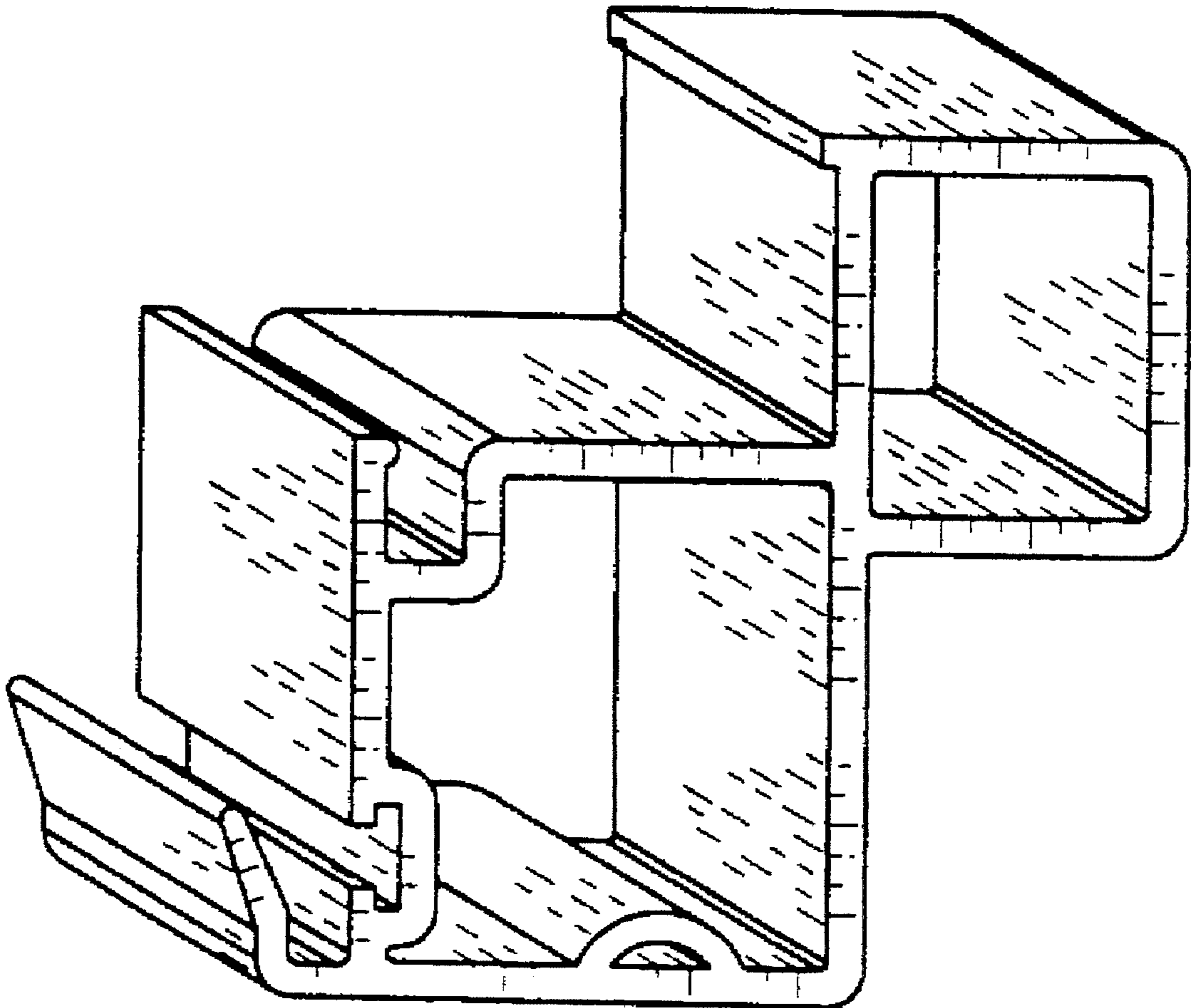
FIG. 2 is a bottom left perspective view thereof.

[56] References Cited

U.S. PATENT DOCUMENTS

D. 335,358 5/1993 Cole D25/124

1 Claim, 1 Drawing Sheet



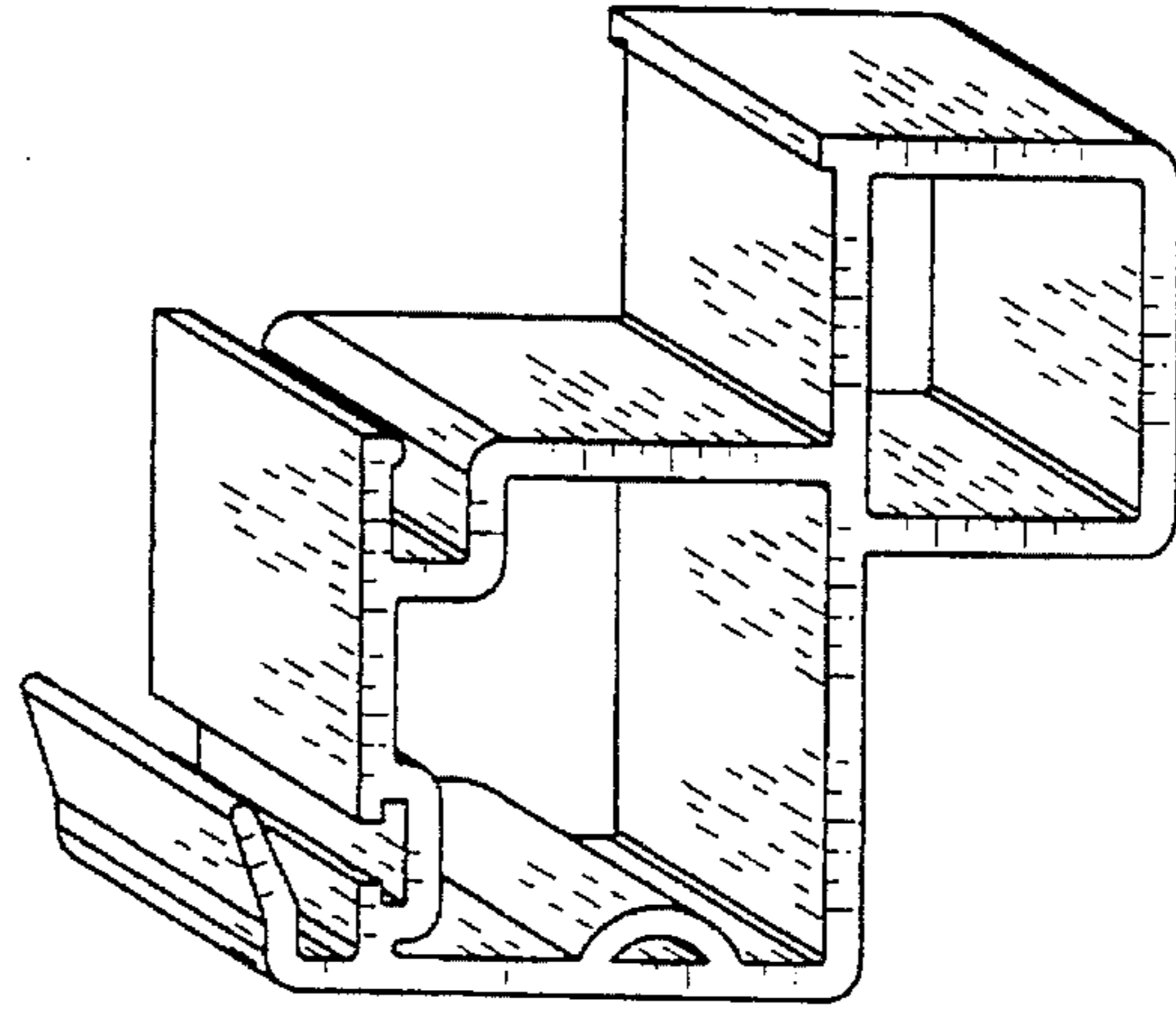


FIG. 1

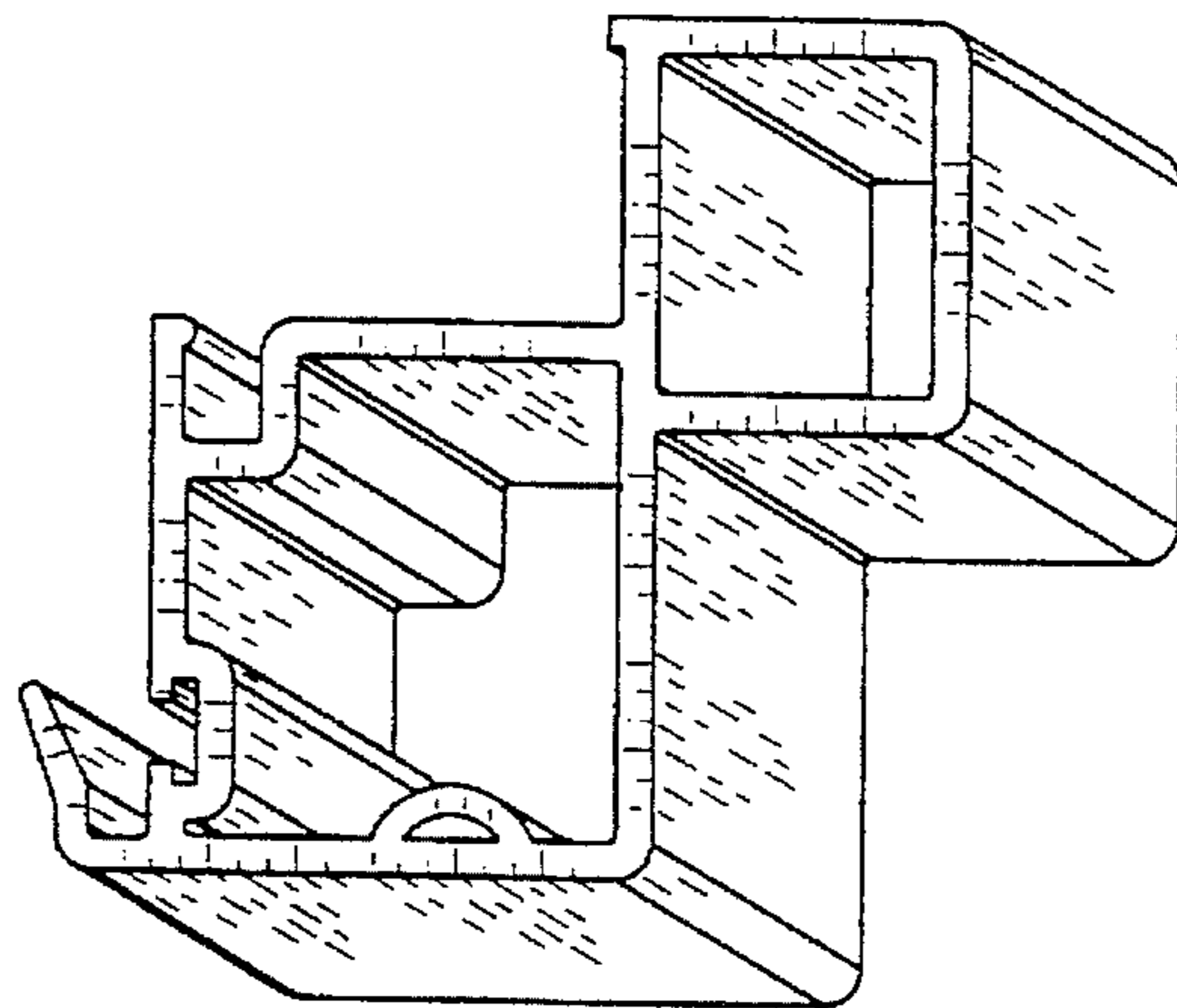


FIG. 2