



US00D366324S

# United States Patent [19] Oliver

[11] Patent Number: **Des. 366,324**

[45] Date of Patent: **\*\*Jan. 16, 1996**

[54] WINDOW COMPONENT EXTRUSION

D. 356,381 3/1995 Cole ..... D25/124

[75] Inventor: **Teresa A. Oliver**, Kent, Wash.

[73] Assignee: **Mikron Industries**, Kent, Wash.

[\*\*] Term: **14 Years**

*Primary Examiner*—Doris Clark  
*Attorney, Agent, or Firm*—Seed and Berry

[21] Appl. No.: **30,304**

[22] Filed: **Oct. 26, 1994**

[52] U.S. Cl. .... **D25/124**

[58] Field of Search ..... D25/52, 60, 124,  
D25/125; 49/DIG. 2, 504, 505; 52/204.5,  
204.56, 204.51, 730.3, 205.1

## [57] CLAIM

The ornamental design for a window component extrusion, as shown and described.

## DESCRIPTION

FIG. 1 is a top right perspective view of a window component extrusion showing my new design, the window component extrusion being of indefinite length.

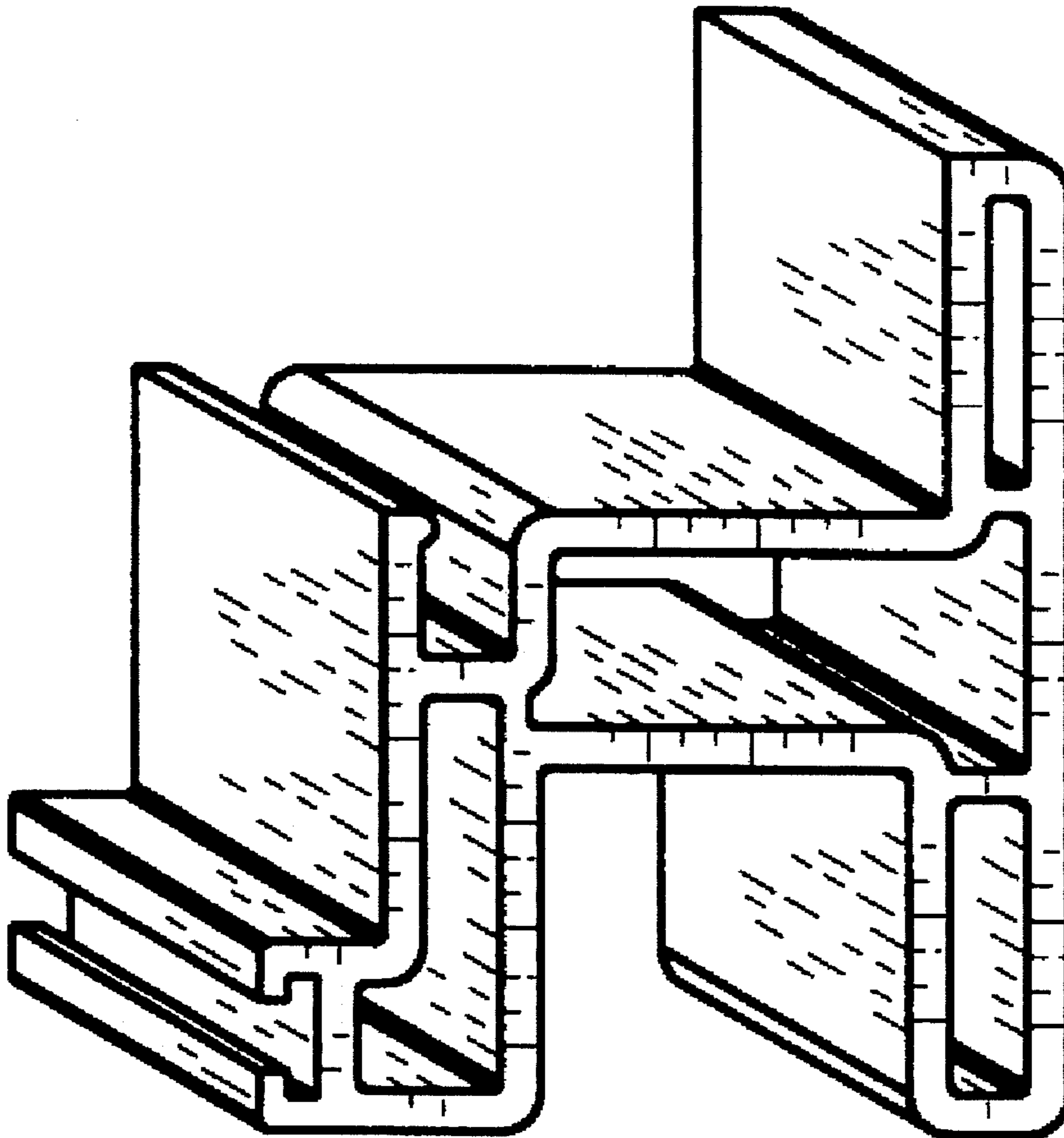
FIG. 2 is a bottom left perspective view thereof.

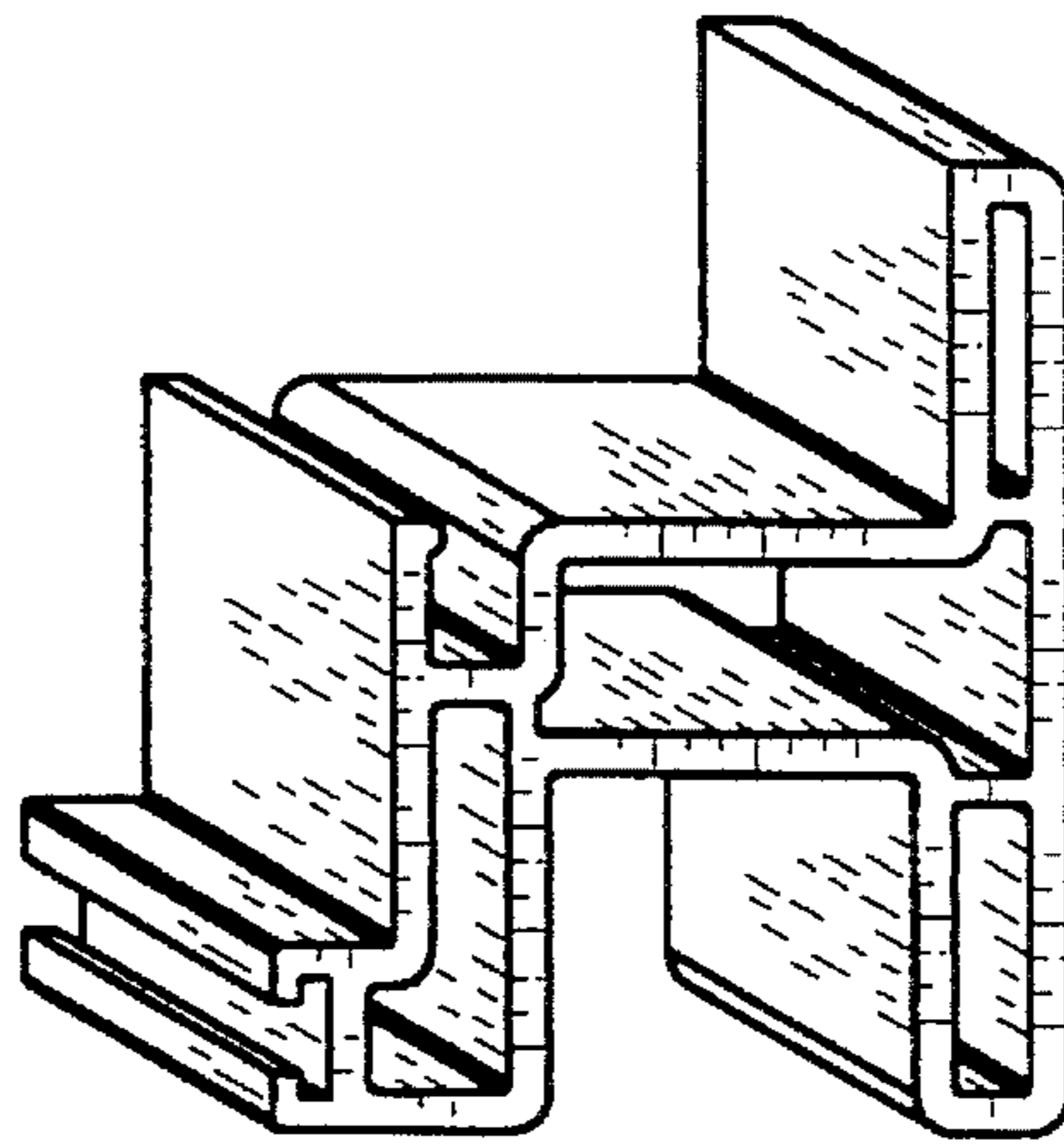
## [56] References Cited

### U.S. PATENT DOCUMENTS

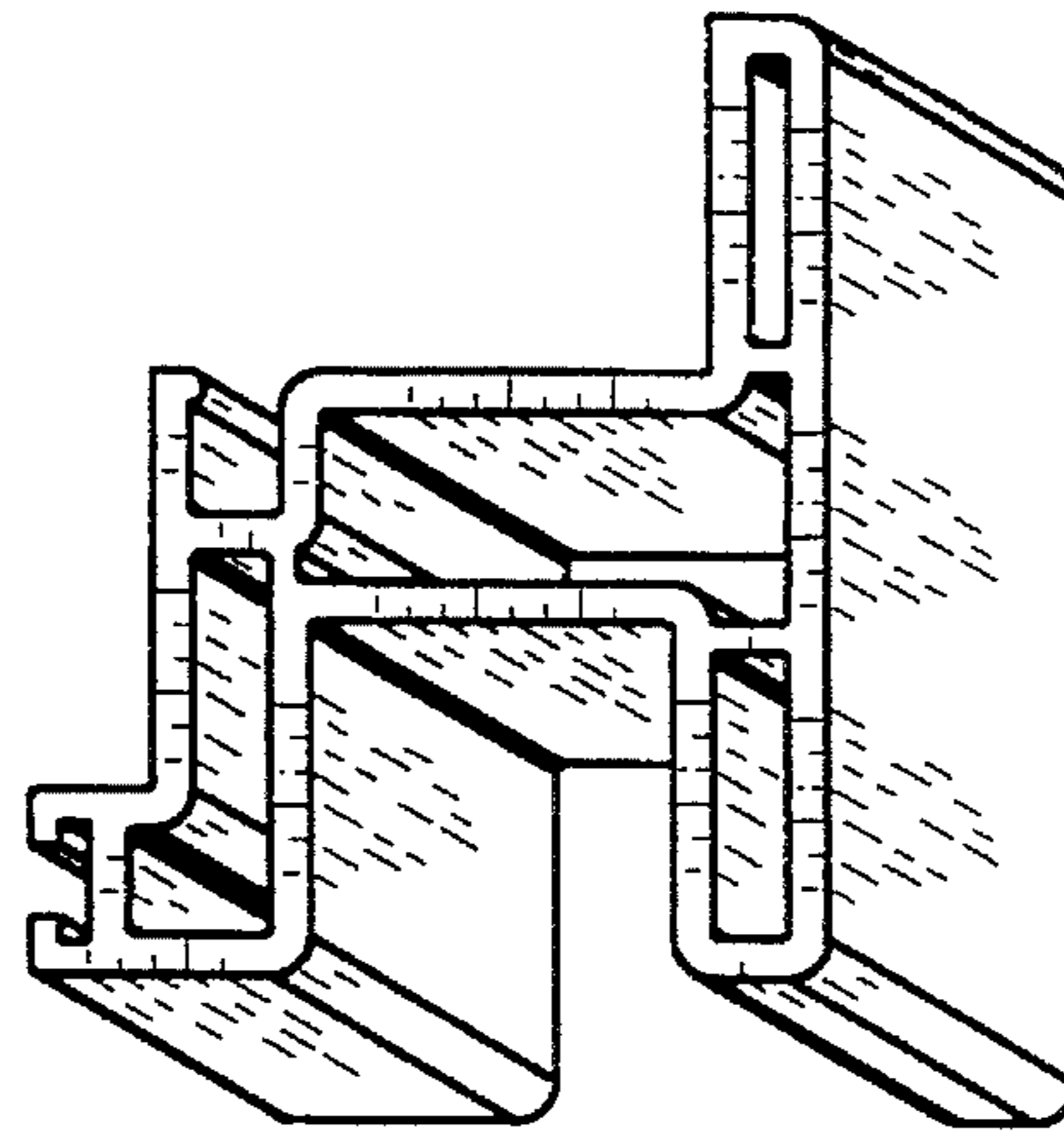
D. 353,681 12/1994 Hosseini ..... D25/124

1 Claim, 1 Drawing Sheet





*FIG. 1*



*FIG. 2*