



US00D366320S

United States Patent [19]
Hosseini

[11] **Patent Number: Des. 366,320**

[45] **Date of Patent: **Jan. 16, 1996**

[54] **WINDOW COMPONENT EXTRUSION**

D. 356,646 3/1995 Cole D25/124

[75] Inventor: **Sam S. Hosseini**, Bellevue, Wash.

Primary Examiner—Doris Clark
Attorney, Agent, or Firm—Seed and Berry

[73] Assignee: **Mikron Industries**, Kent, Wash.

[**] Term: **14 Years**

[57] **CLAIM**

[21] Appl. No.: **21,360**

The ornamental design for a window component extrusion, as shown and described.

[22] Filed: **Apr. 15, 1994**

[52] U.S. Cl. **D25/124**

DESCRIPTION

[58] **Field of Search** D25/52, 60, 124,
D25/125; 49/DIG. 2, 504, 505; 52/204.5,
204.56, 204.51, 730.3, 205.1

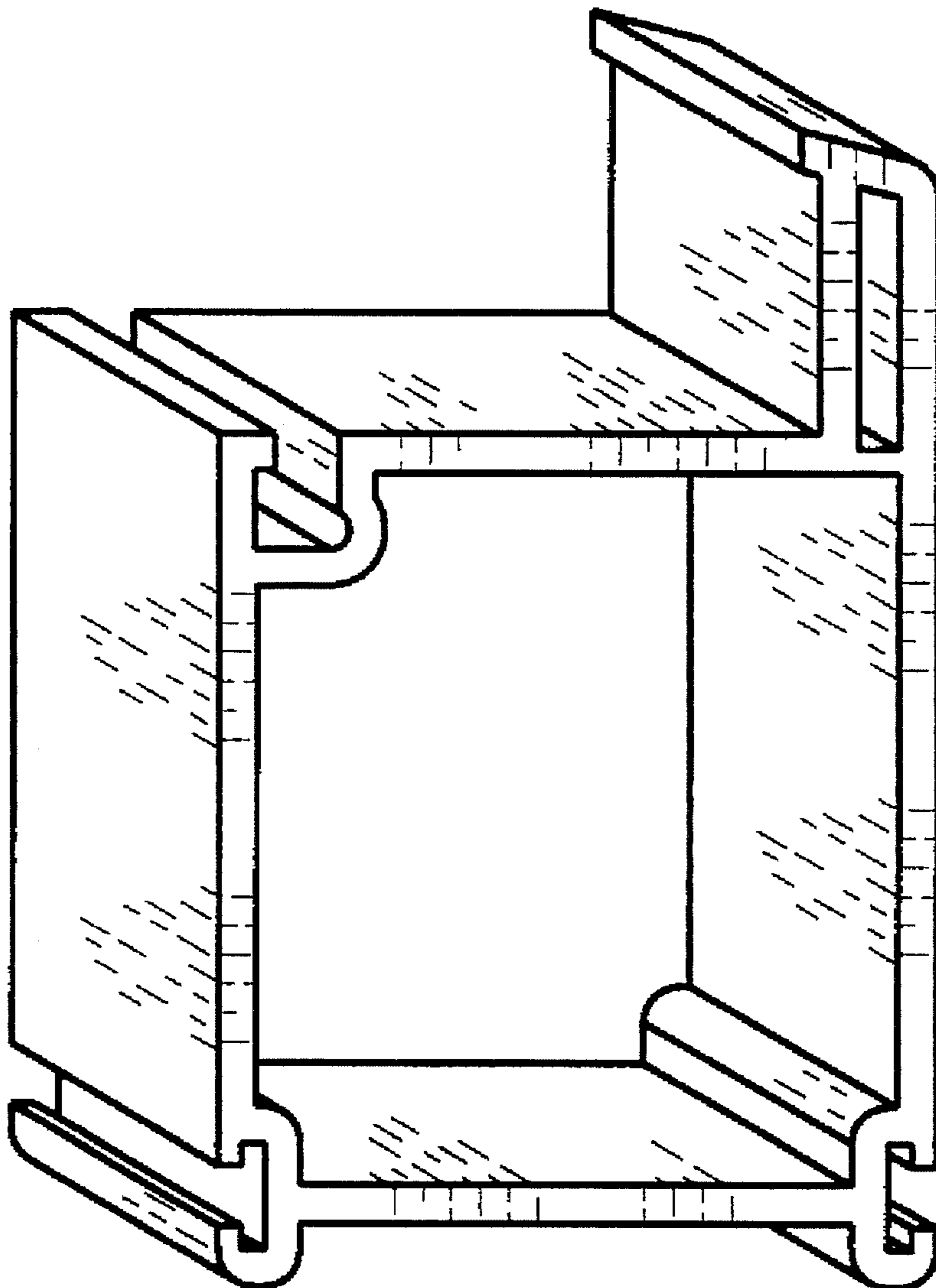
FIG. 1 is a top right perspective view of a window component extrusion showing my new design, the window component extrusion being of indefinite length; and, FIG. 2 is a bottom left perspective view thereof.

[56] **References Cited**

U.S. PATENT DOCUMENTS

D. 346,226 4/1994 Bancroft D25/124

1 Claim, 1 Drawing Sheet



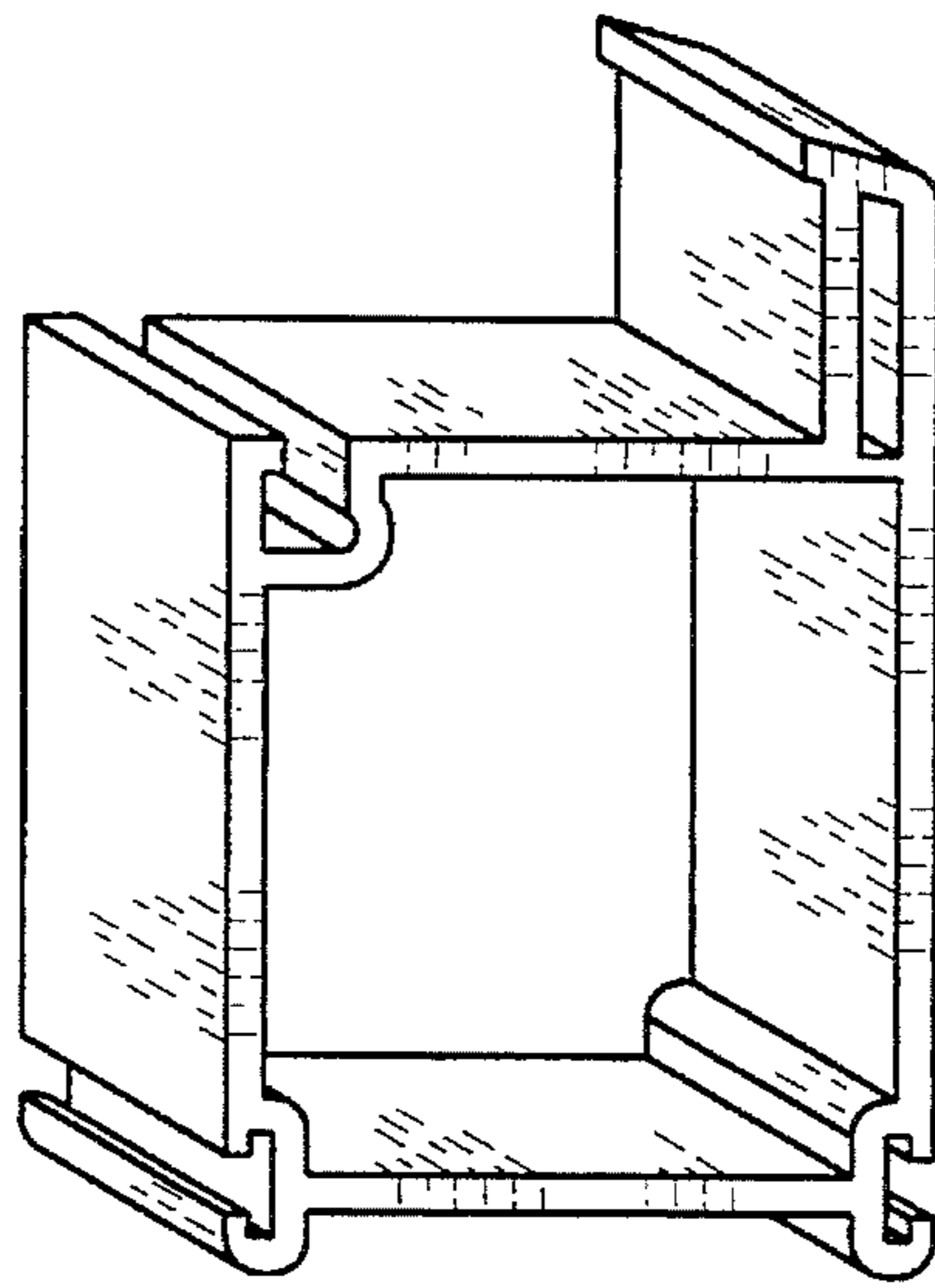


FIG. 1

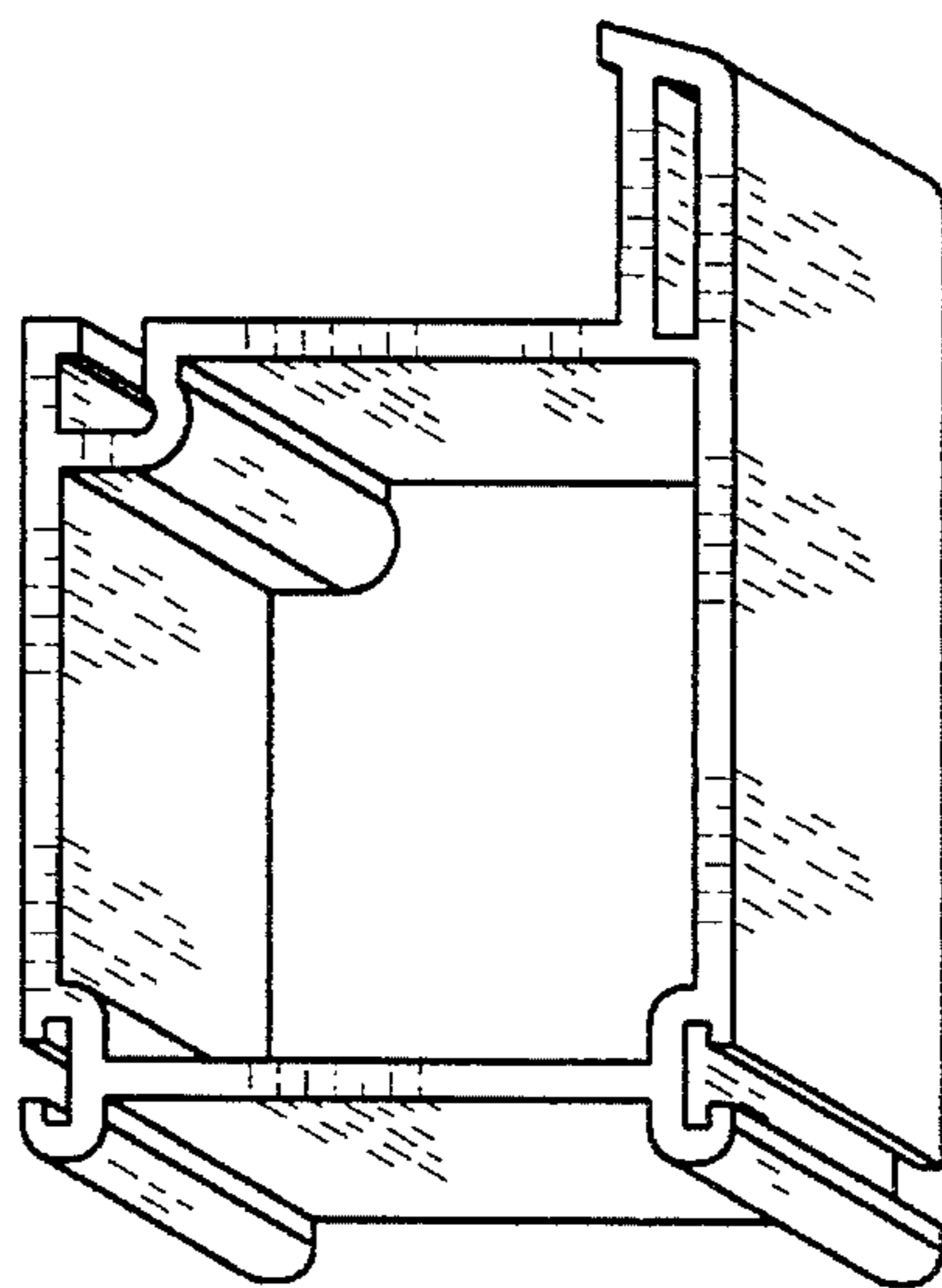


FIG. 2