



US00D366319S

# United States Patent [19]

Sheftel

[11] Patent Number: **Des. 366,319**

[45] Date of Patent: **\*\*Jan. 16, 1996**

- [54] **CORNER LADDER STABILIZER**
- [75] Inventor: **Steven J. Sheftel**, Marstons Mills, Mass.
- [73] Assignee: **American Manufacturing Company, Inc.**, Allentown, Pa.
- [\*\*] Term: **14 Years**
- [21] Appl. No.: **22,029**
- [22] Filed: **Apr. 28, 1994**
- [52] U.S. Cl. .... **D25/68**
- [58] Field of Search ..... **D25/68; 182/108, 182/107, 111, 172, 214, 206; D8/370, 354, 38, 373; 248/302-303, 210**

[56] **References Cited**  
 U.S. PATENT DOCUMENTS

- D. 348,938 7/1994 Kemett ..... D25/68
- 5,010,979 4/1991 Shrene, III ..... 182/107

*Primary Examiner*—Doris Clark  
*Attorney, Agent, or Firm*—Samuels, Gauthier & Stevens

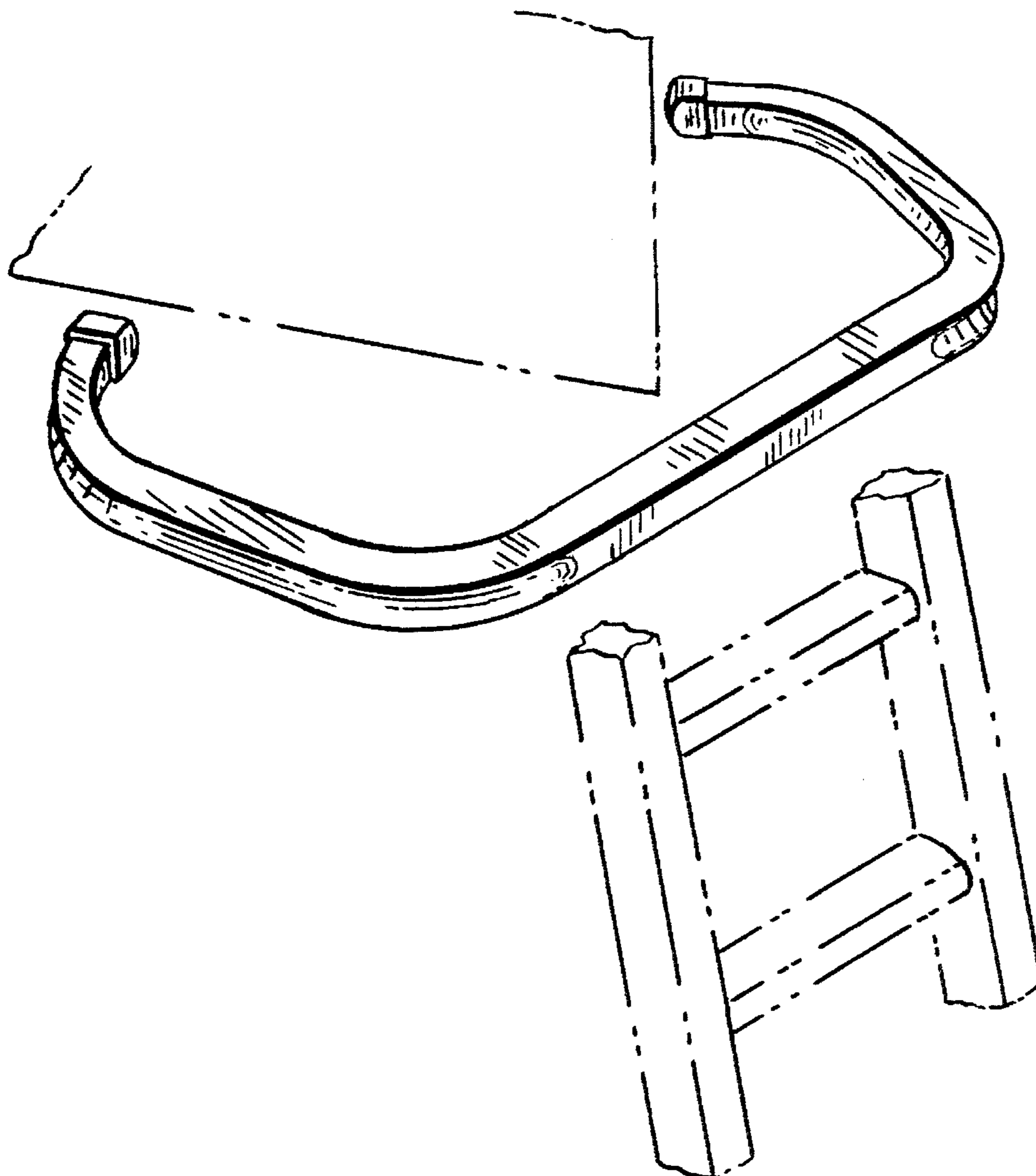
[57] **CLAIM**

The ornamental design for corner ladder stabilizer, as shown and described.

**DESCRIPTION**

FIG. 1 is a perspective view of a corner ladder stabilizer, the broken lines showing a building corner and a ladder are for illustrative purposes only and form no part of the claimed design;  
 FIG. 2 is a top plan view;  
 FIG. 3 is a back view;  
 FIG. 4 is a left side view, the right side being identical;  
 FIG. 5 is a front view;  
 FIG. 6 is a sectional view taken along lines 6—6 of FIG. 2;  
 FIG. 7 is an enlarged end view of the foot member; and,  
 FIG. 8 is an enlarged fragmentary side view thereof.

1 Claim, 2 Drawing Sheets



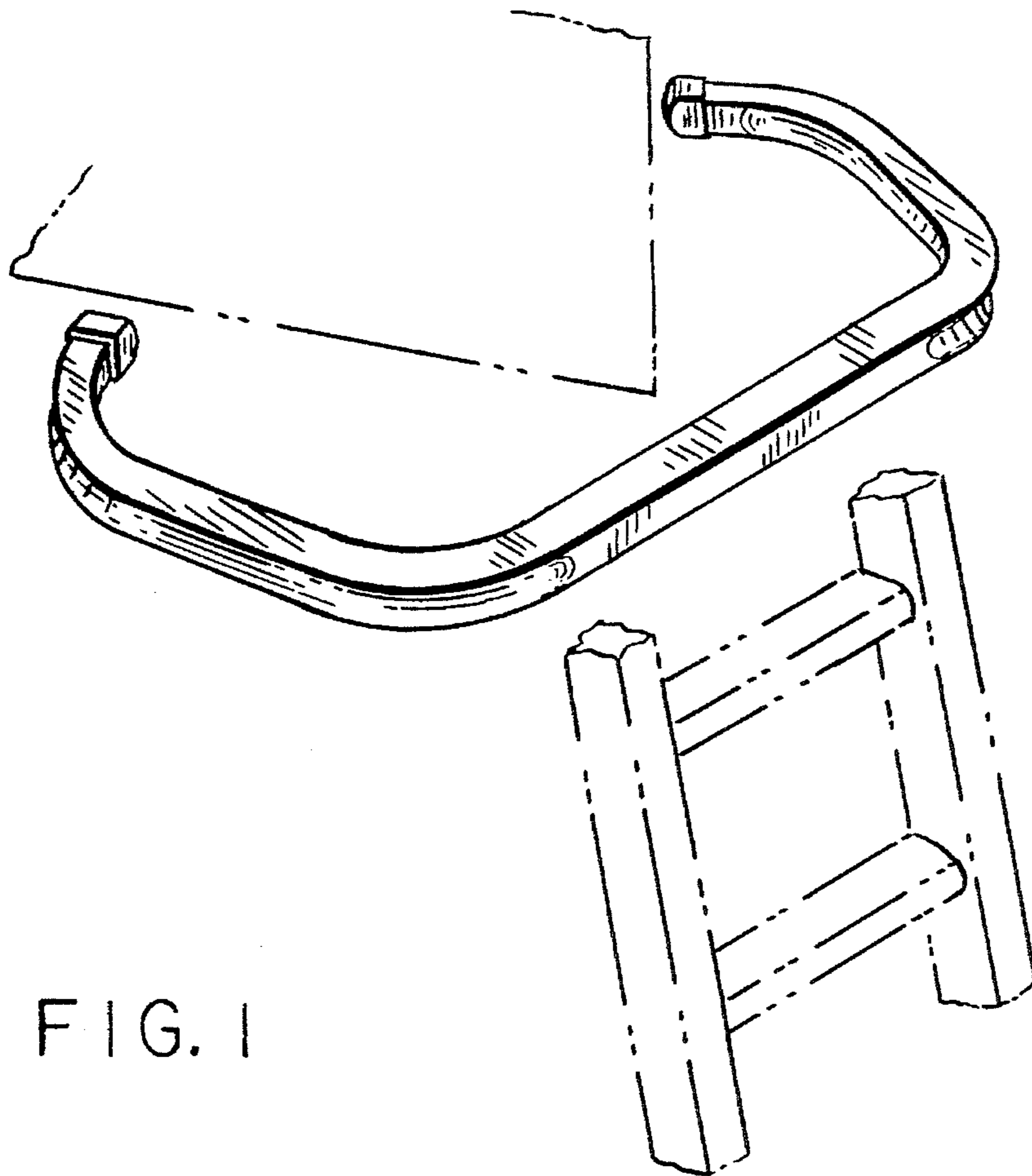


FIG. 1

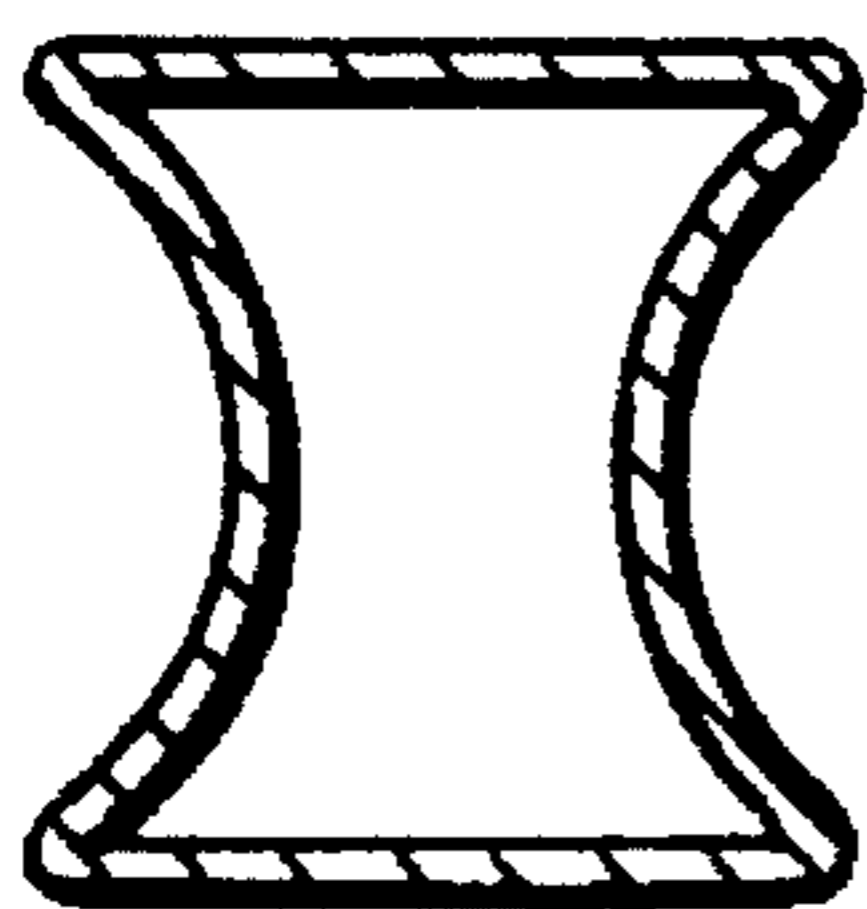


FIG. 6

FIG. 7

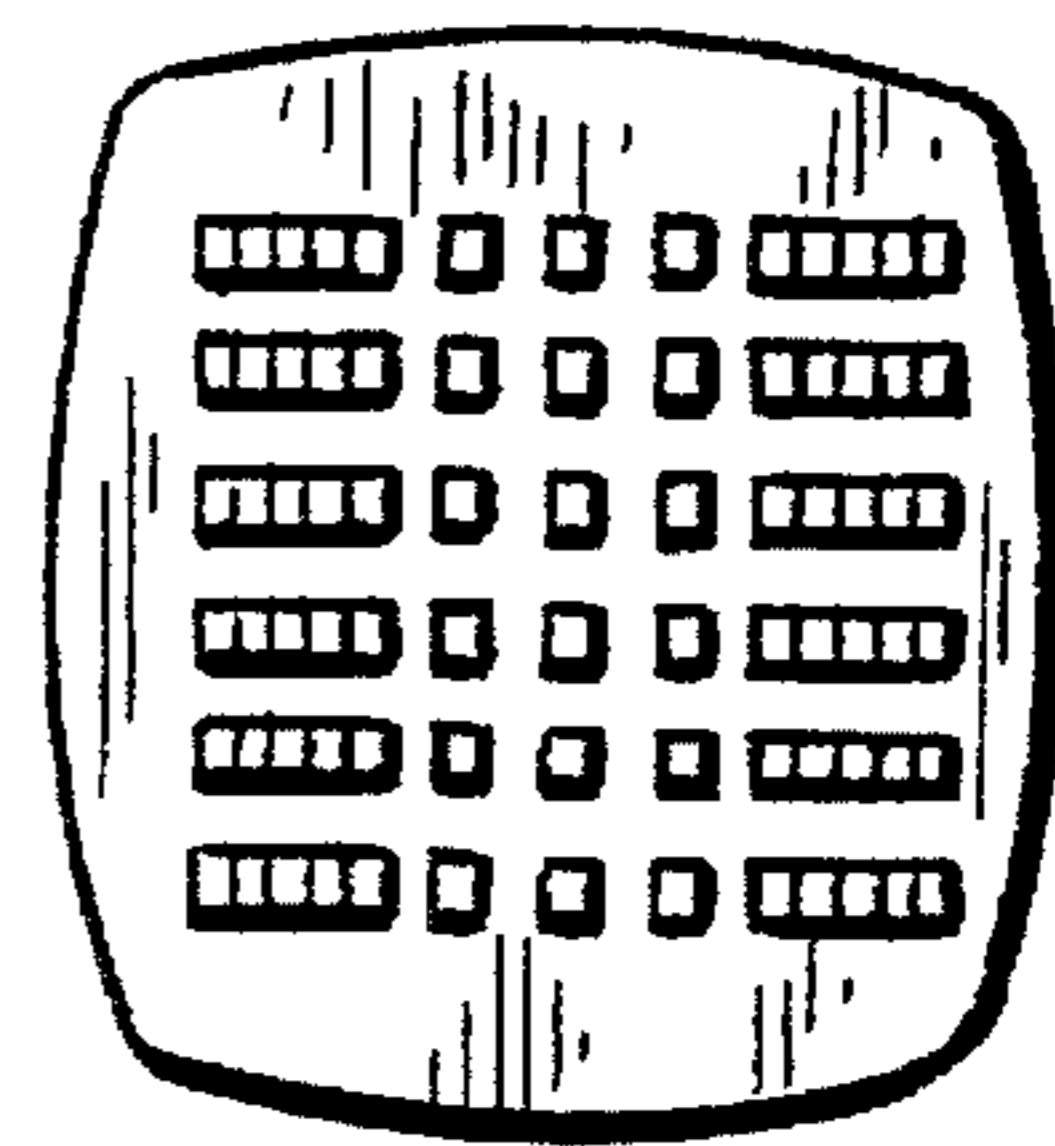
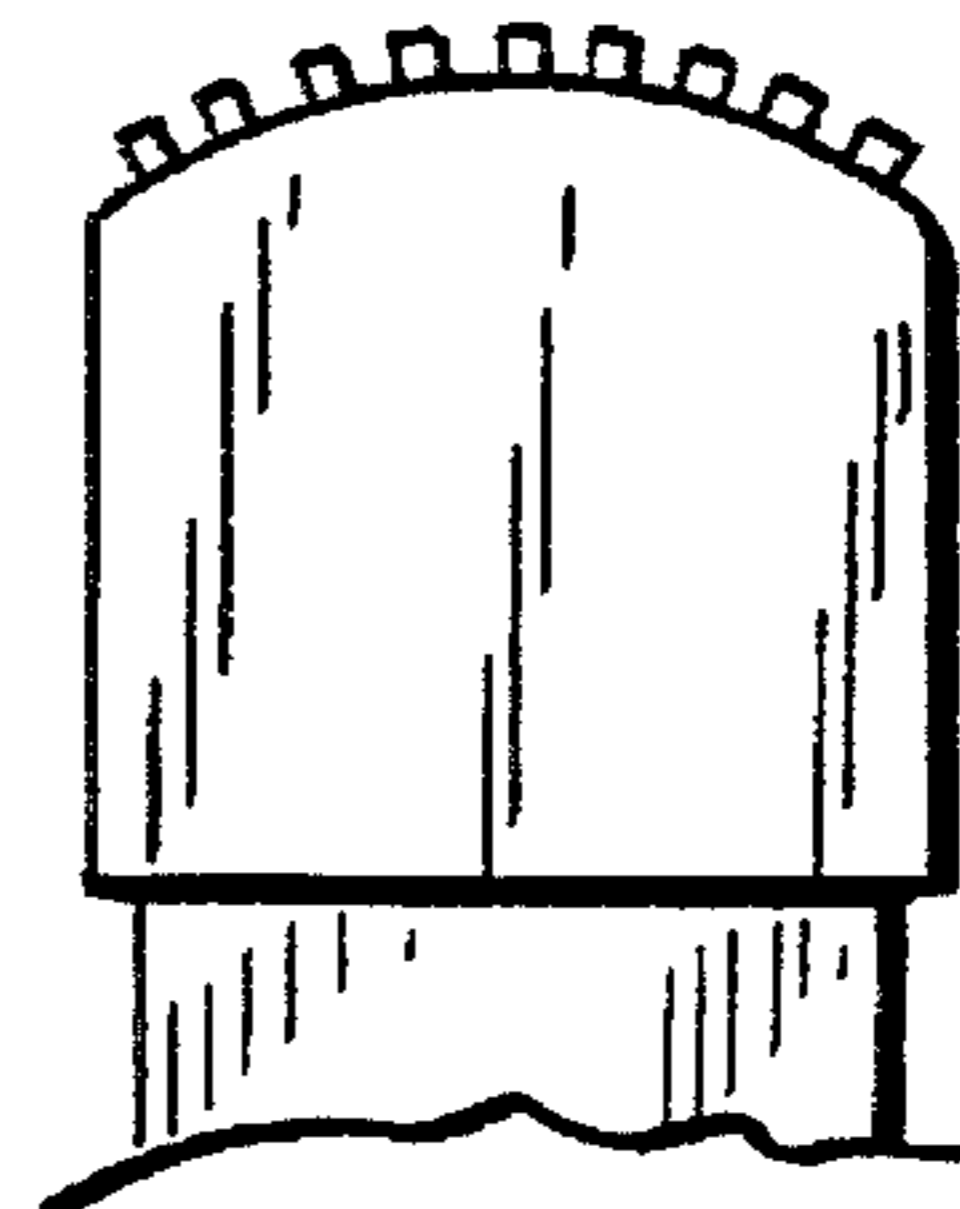


FIG. 8



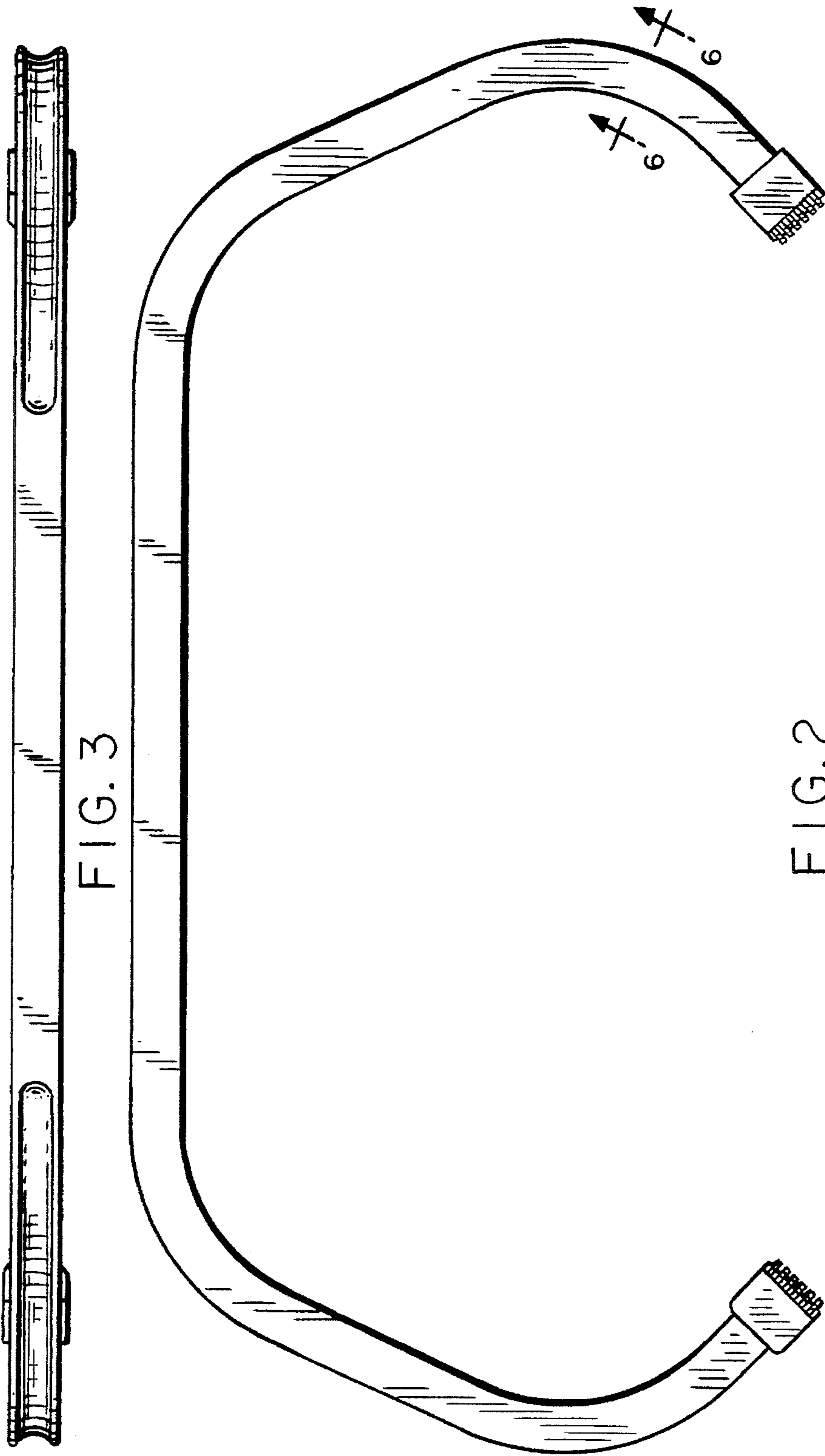


FIG. 3



FIG. 2



FIG. 5

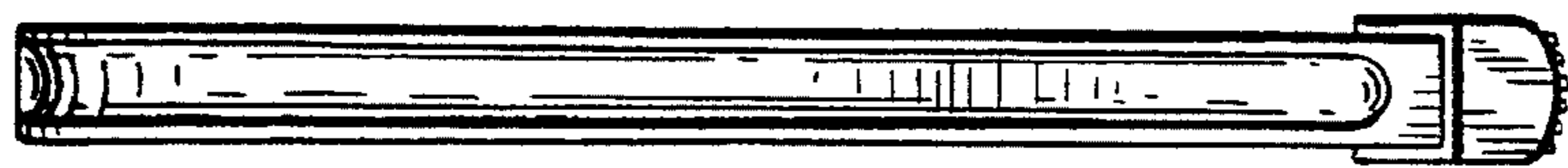


FIG. 4