



US00D366318S

United States Patent [19]

Lukač et al.

[11] Patent Number: **Des. 366,318**

[45] Date of Patent: ****Jan. 16, 1996**

[54] **COMBINED DENTAL AND SURGICAL LASER**

[75] Inventors: **Matjaž Lukač**, Ljubljana; **Alojz Cimerman**, Velike Lašče; **Karolj Nemeš**; **Marjan Kunstelj**, both of Ljubljana; **Roman Debeljak**, Smednik, all of Slovenia

[73] Assignee: **Iskra Elektrooptika Ljubljana d.d.**, Ljubljana, Slovenia

[**] Term: **14 Years**

[21] Appl. No.: **19,550**

[22] Filed: **Mar. 4, 1994**

[30] **Foreign Application Priority Data**

Sep. 7, 1993 [SI] Slovenia M-9350128

[52] U.S. Cl. **D24/177**; D24/144

[58] Field of Search D24/176-182, D24/144; 434/52-54, 25, 27-28, 77-79, 49, 72, 103-105, 125

[56] **References Cited**

U.S. PATENT DOCUMENTS

D. 218,166 7/1970 Slouka D24/177

D. 246,256 11/1977 Truette D24/177
D. 351,911 10/1994 Myers D24/177
3,427,719 2/1969 Gordon et al. 433/78
4,138,815 2/1979 Williams et al. 433/77

Primary Examiner—Melanie H. Tung
Attorney, Agent, or Firm—Jacobson, Price, Holman & Stern

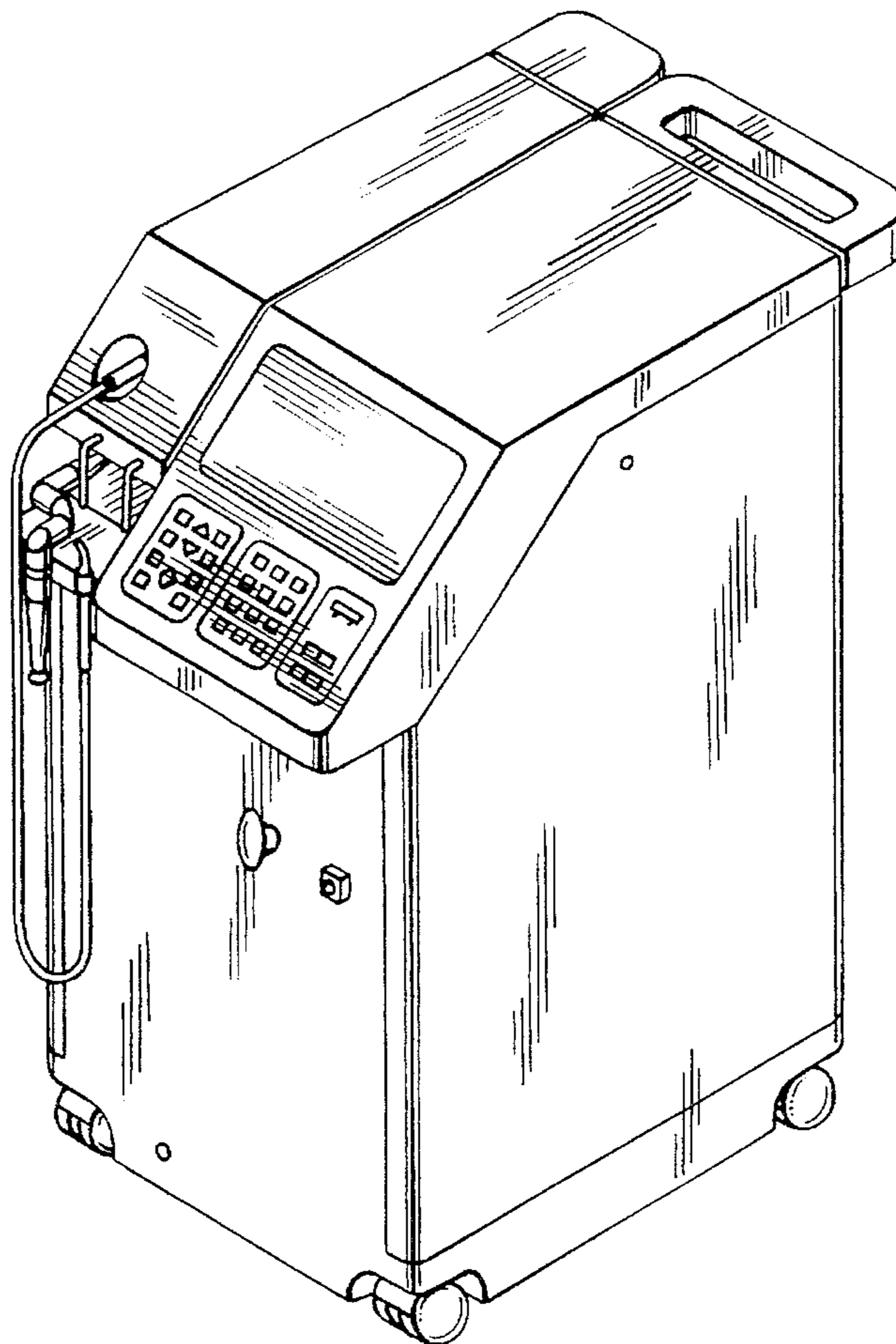
[57] **CLAIM**

The ornamental design for a combined dental and surgical laser, as shown and described.

DESCRIPTION

FIG. 1 is a front top and right side perspective view of a combined dental and surgical laser showing our new design; FIG. 2 is a left side elevation view thereof; FIG. 3 is a rear elevation view thereof; FIG. 4 is a top plan view thereof; FIG. 5 is a bottom plan view thereof; FIG. 6 is a front top and left side perspective view with lifted head; and, FIG. 7 is a bottom plan view thereof.

1 Claim, 4 Drawing Sheets



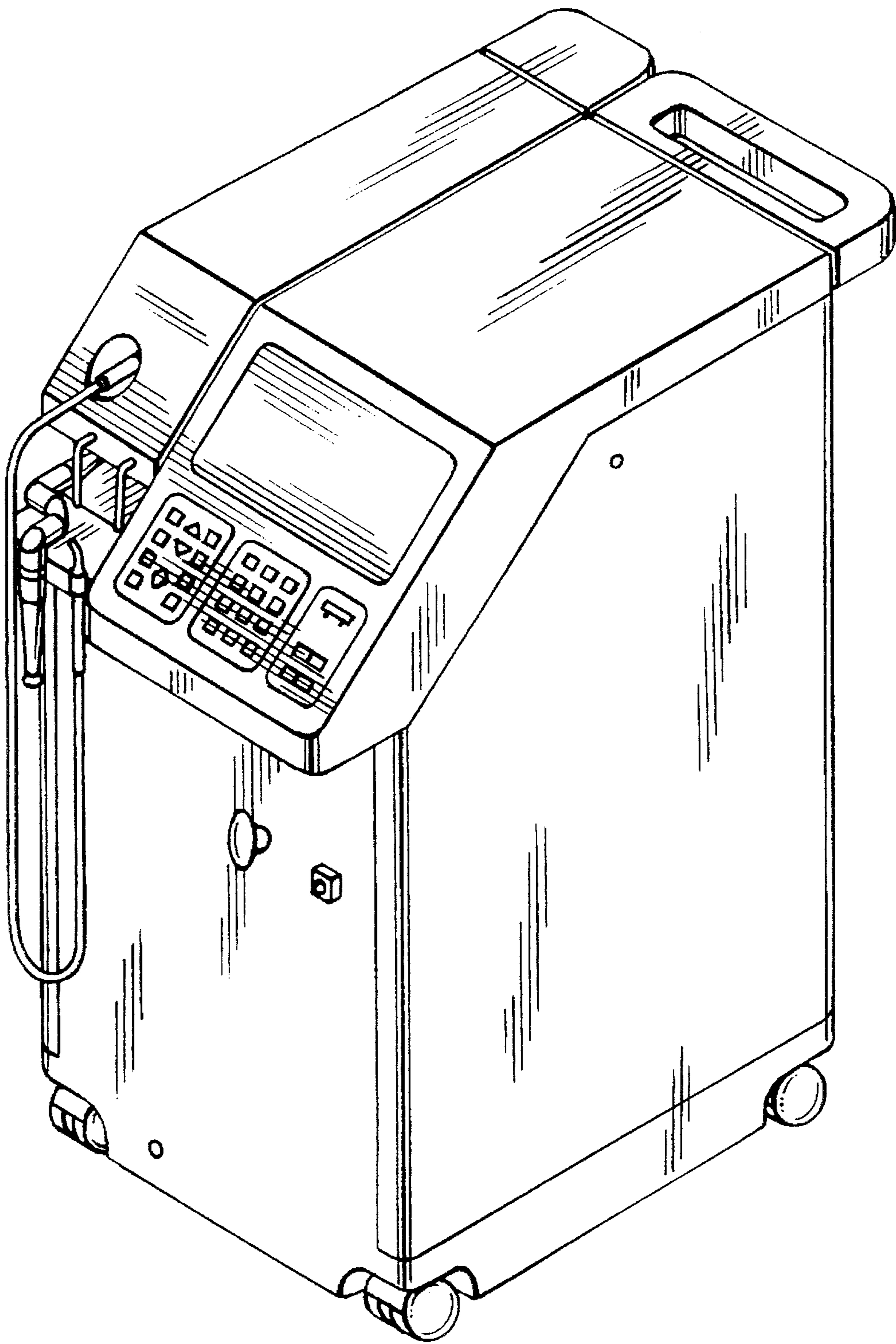


FIG. 1

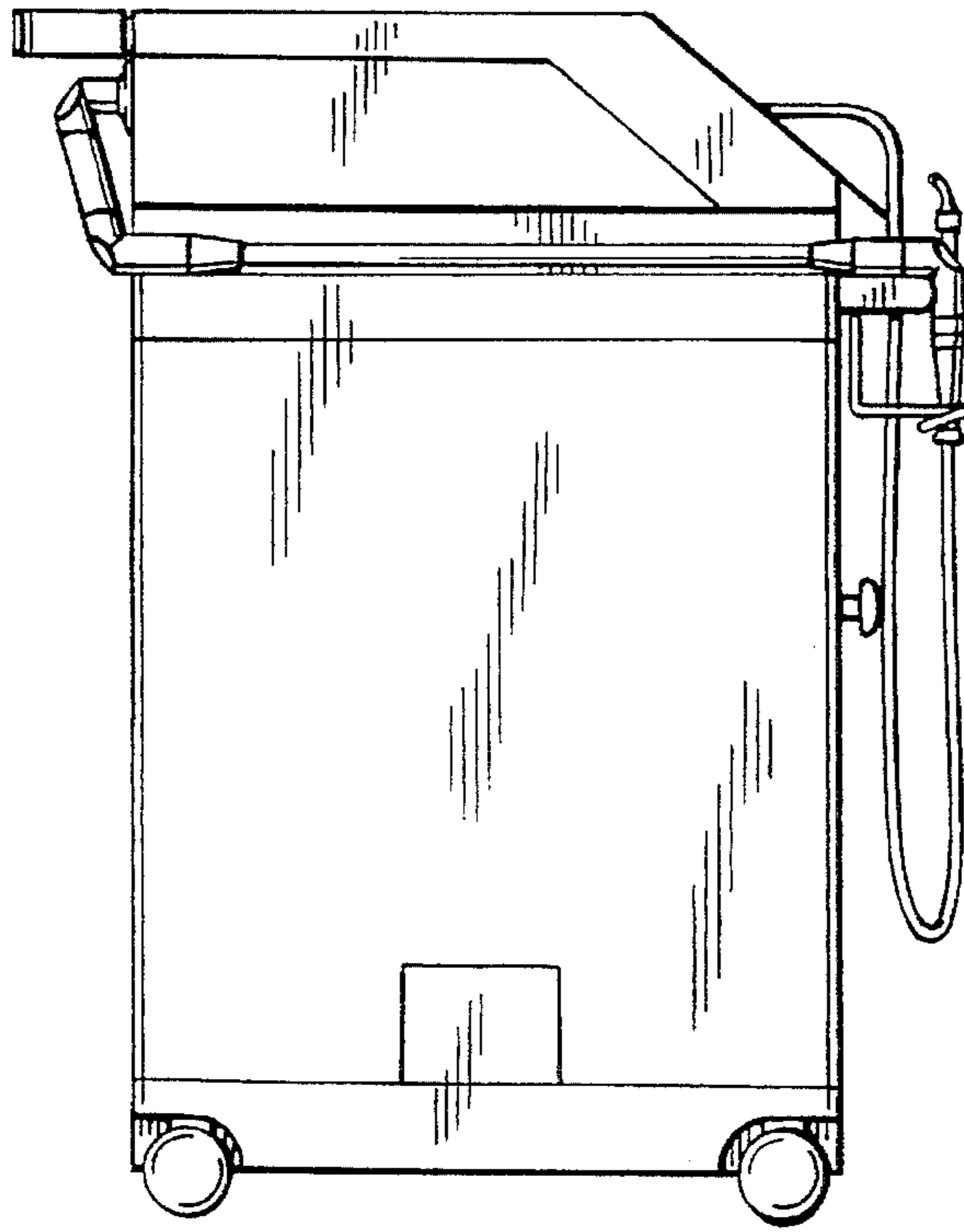


FIG. 2

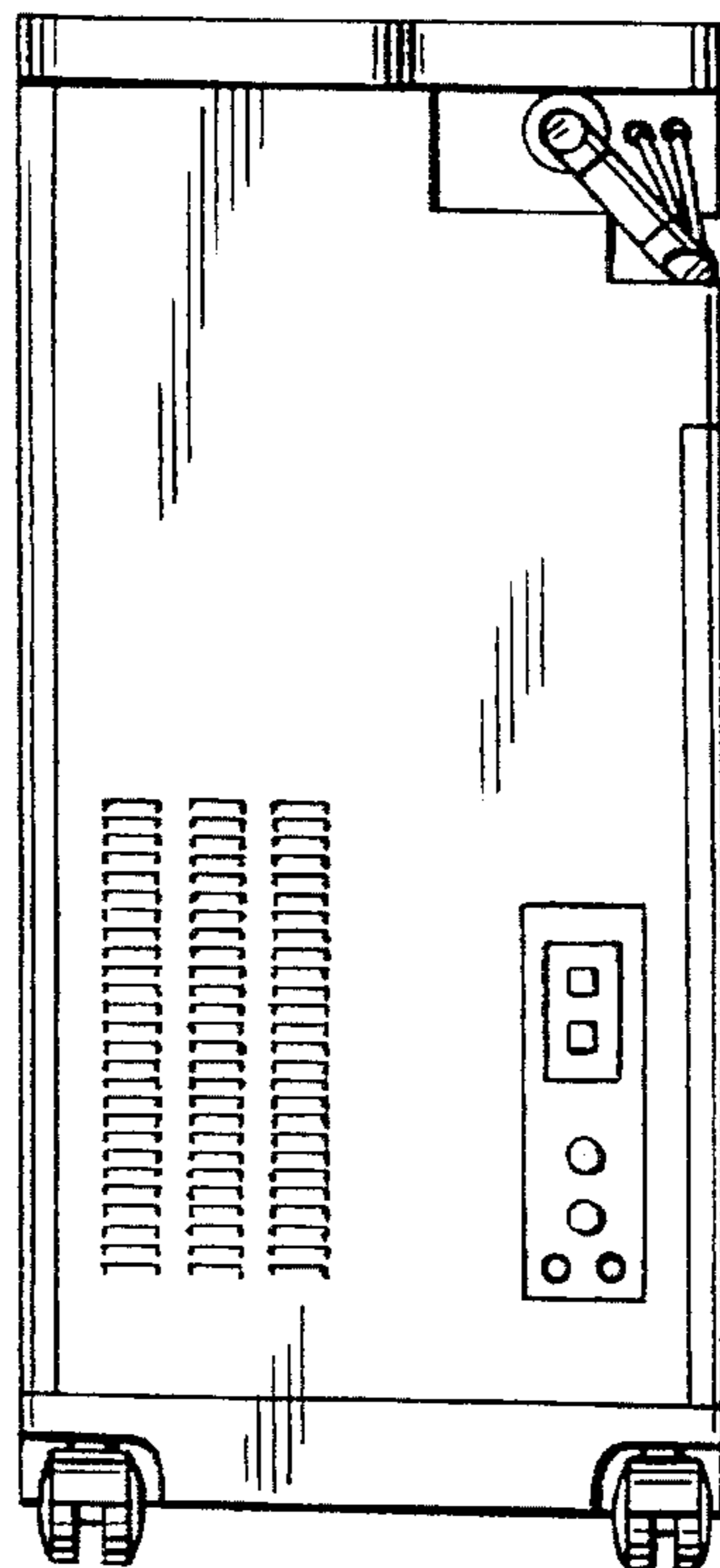


FIG. 3

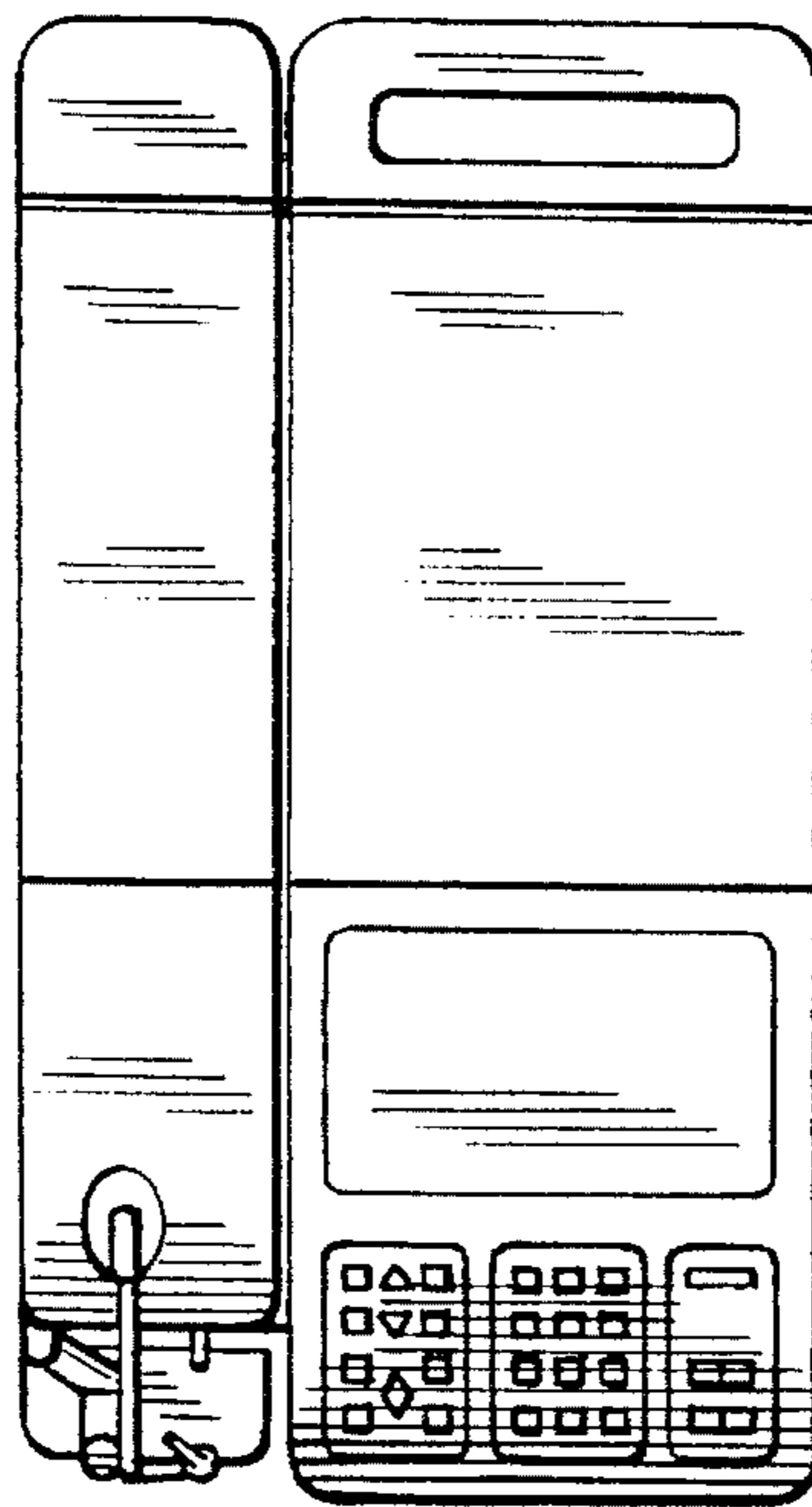


FIG. 4

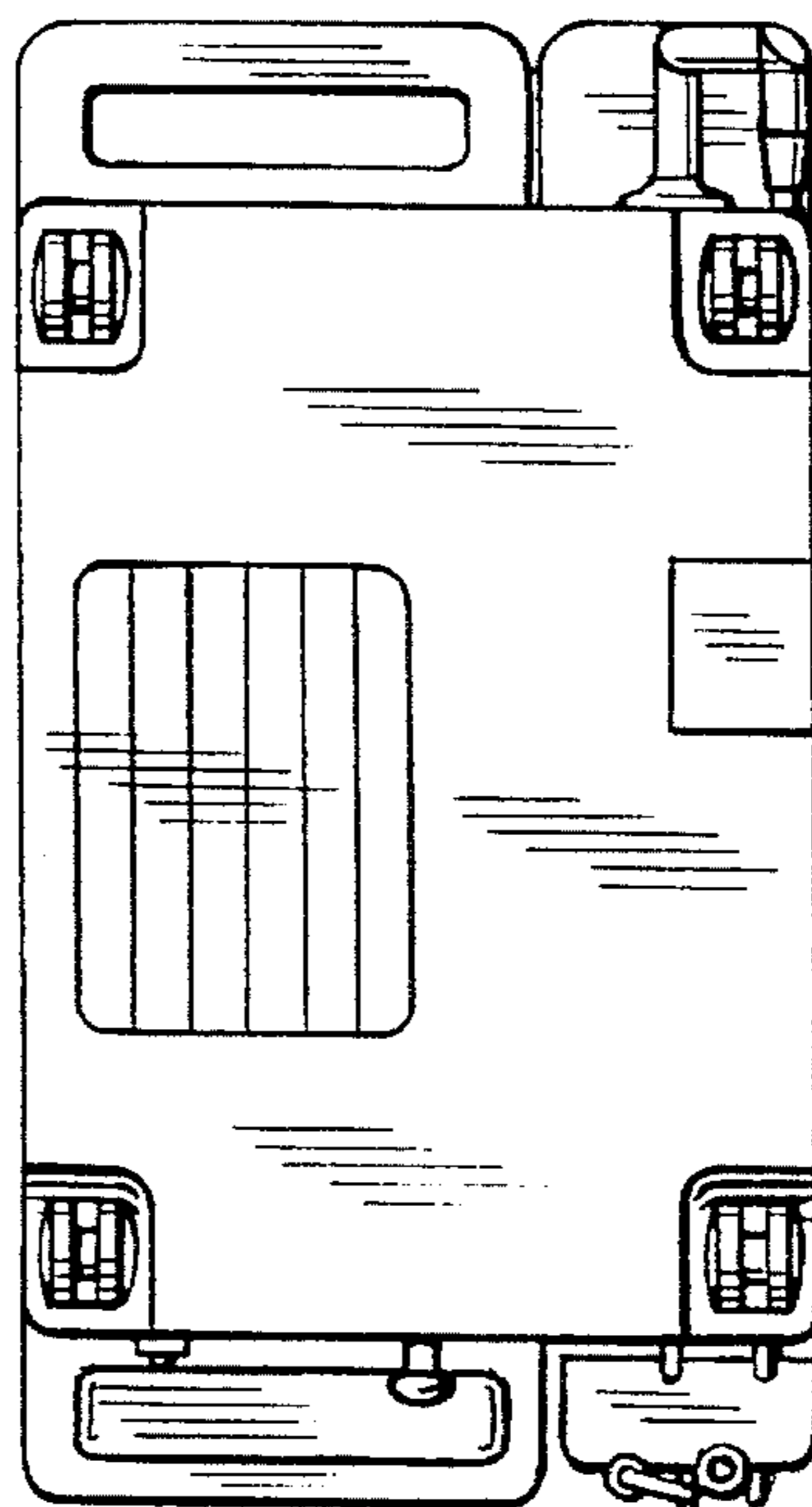


FIG. 5

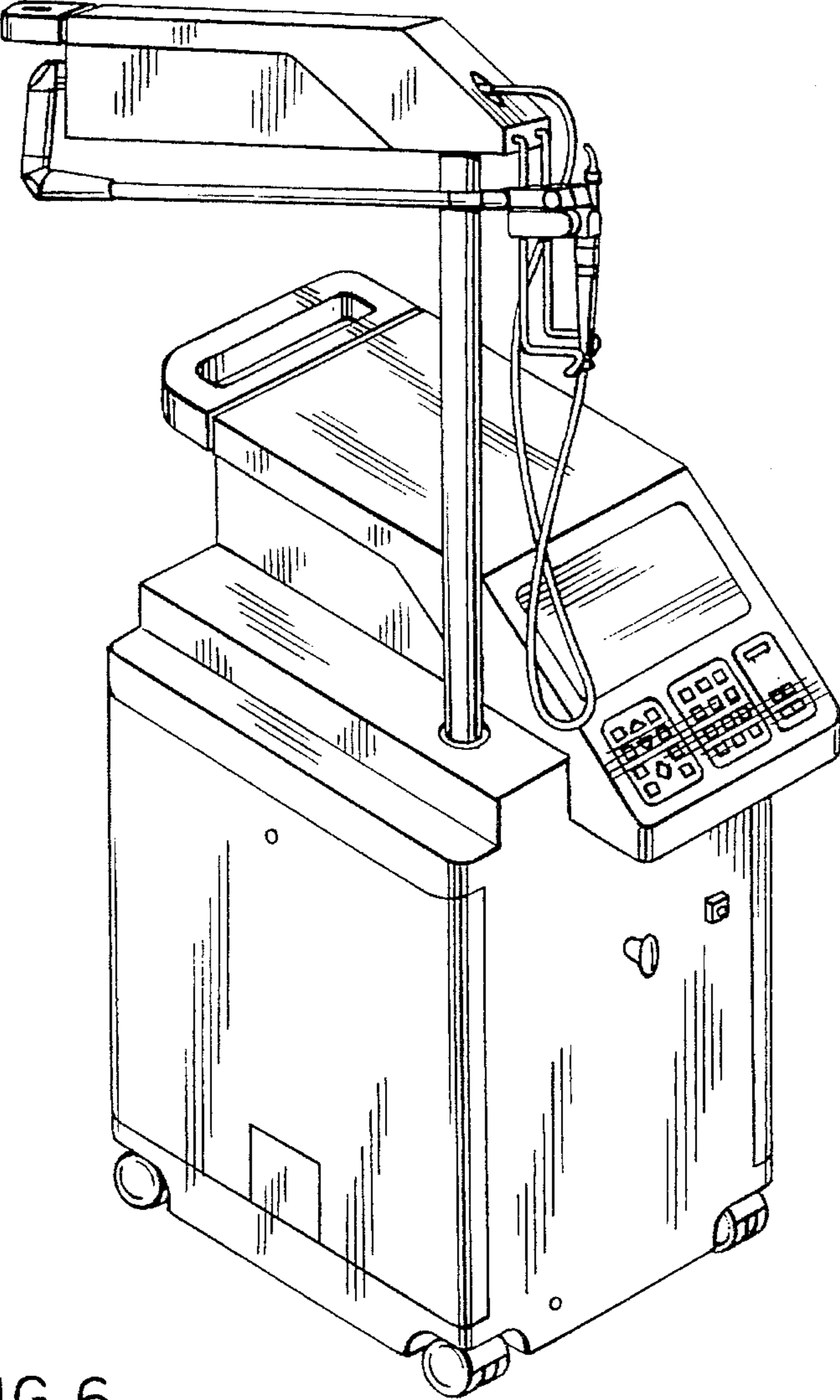


FIG. 6

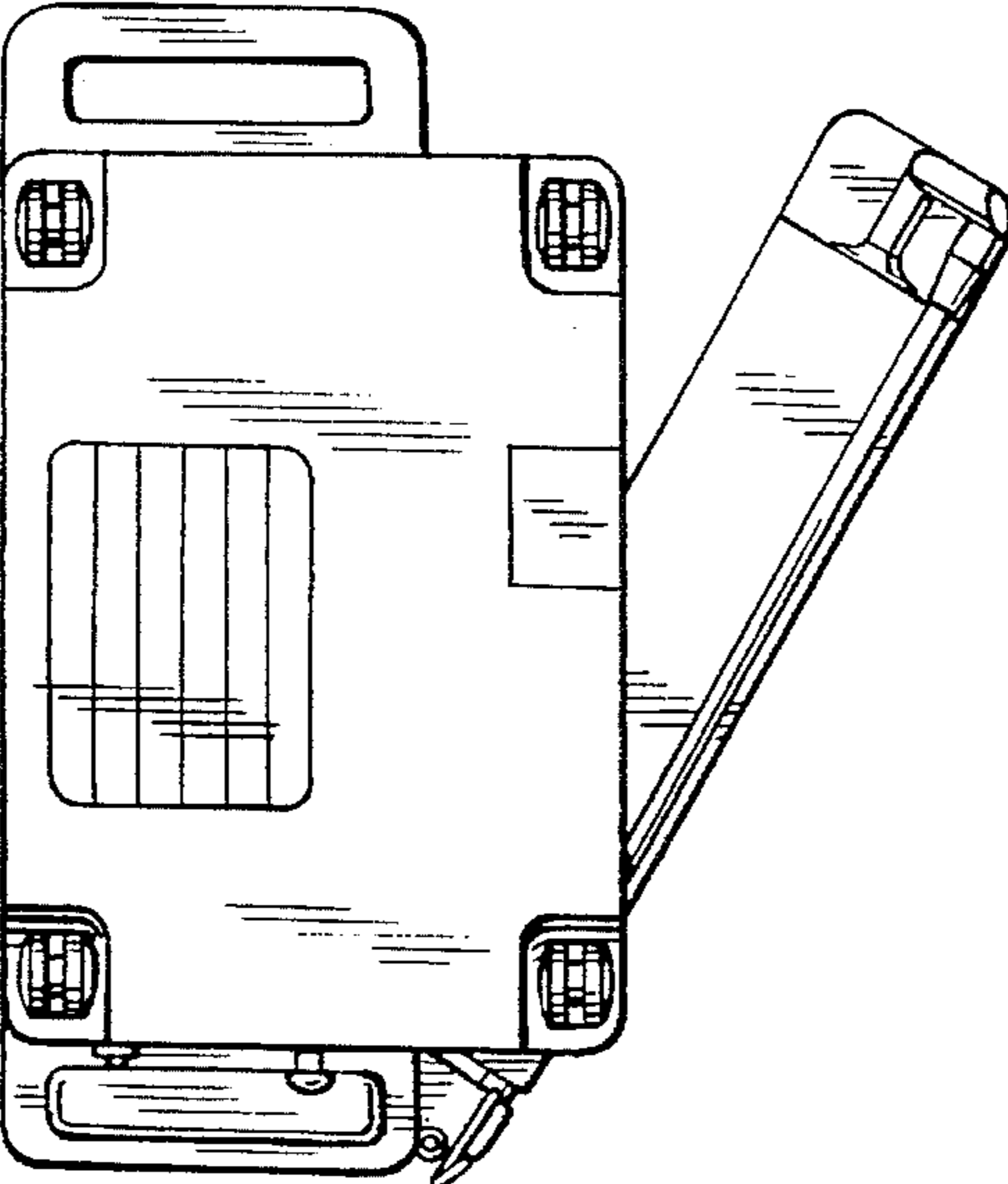


FIG. 7