



US00D366316S

United States Patent [19] Reil

[11] Patent Number: **Des. 366,316**

[45] Date of Patent: ****Jan. 16, 1996**

[54] **EAR PIERCER**

5,263,960 11/1993 Mann 606/188
5,389,105 2/1995 Mann 606/188

[76] Inventor: **Vladimir Reil**, 30524 Ganado Dr.,
Rancho Palos Verdes, Calif. 90274

Primary Examiner—Louis S. Zarfes
Assistant Examiner—I. Simmons
Attorney, Agent, or Firm—Cislo & Thomas

[**] Term: **14 Years**

[57] CLAIM

[21] Appl. No.: **27,756**

The ornamental design for an ear piercer, as shown and described.

[22] Filed: **Aug. 29, 1994**

[52] U.S. Cl. **D24/146**

[58] Field of Search D24/146, 147;
606/188, 185

DESCRIPTION

[56] References Cited

U.S. PATENT DOCUMENTS

D. 241,175	8/1976	Mann	D24/146
D. 242,392	11/1976	Moore et al.	D24/146
D. 347,895	6/1994	Mann	D24/146
3,943,935	3/1976	Cameron	128/330
4,030,507	6/1977	Mann	128/330
4,079,740	3/1978	Phalon	128/330
4,164,224	8/1979	Hastings	128/330
4,191,190	3/1980	Hastings	128/330
4,286,600	9/1981	Judickas	128/330
4,527,563	7/1985	Reil	128/329
5,004,470	4/1991	Mann	606/188
5,004,471	4/1991	Mann	606/188
5,007,918	4/1991	Mann	606/188
5,211,653	5/1993	Nakajima	606/188

FIG. 1 is a perspective view of my ear piercer;
 FIG. 2 is a left side elevational view thereof, with the right side elevational view being a mirror image thereto;
 FIG. 3 is a top view thereof;
 FIG. 4 is a bottom view thereof;
 FIG. 5 is a front view thereof;
 FIG. 6 is a back view thereof;
 FIG. 7 is a prospective view of a second embodiment of my ear piercer;
 FIG. 8 is a left side elevational view thereof, with the right side elevational view being a mirror image thereto;
 FIG. 9 is a top view of the FIG. 7th embodiment;
 FIG. 10 is a bottom view of the FIG. 7 embodiment;
 FIG. 11 is a front view of the FIG. 7 embodiment; and,
 FIG. 12 is a back view thereof.

1 Claim, 4 Drawing Sheets

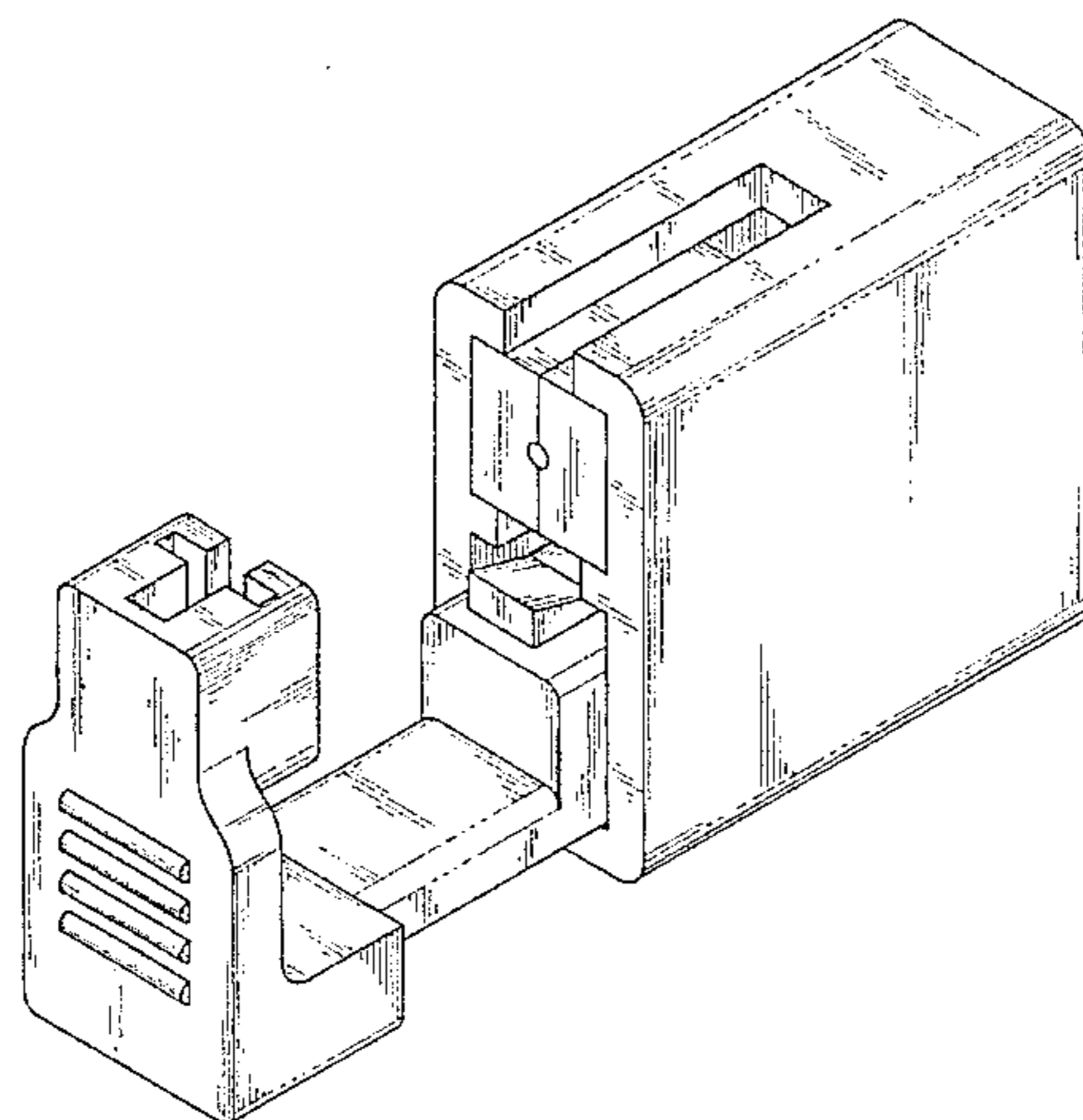
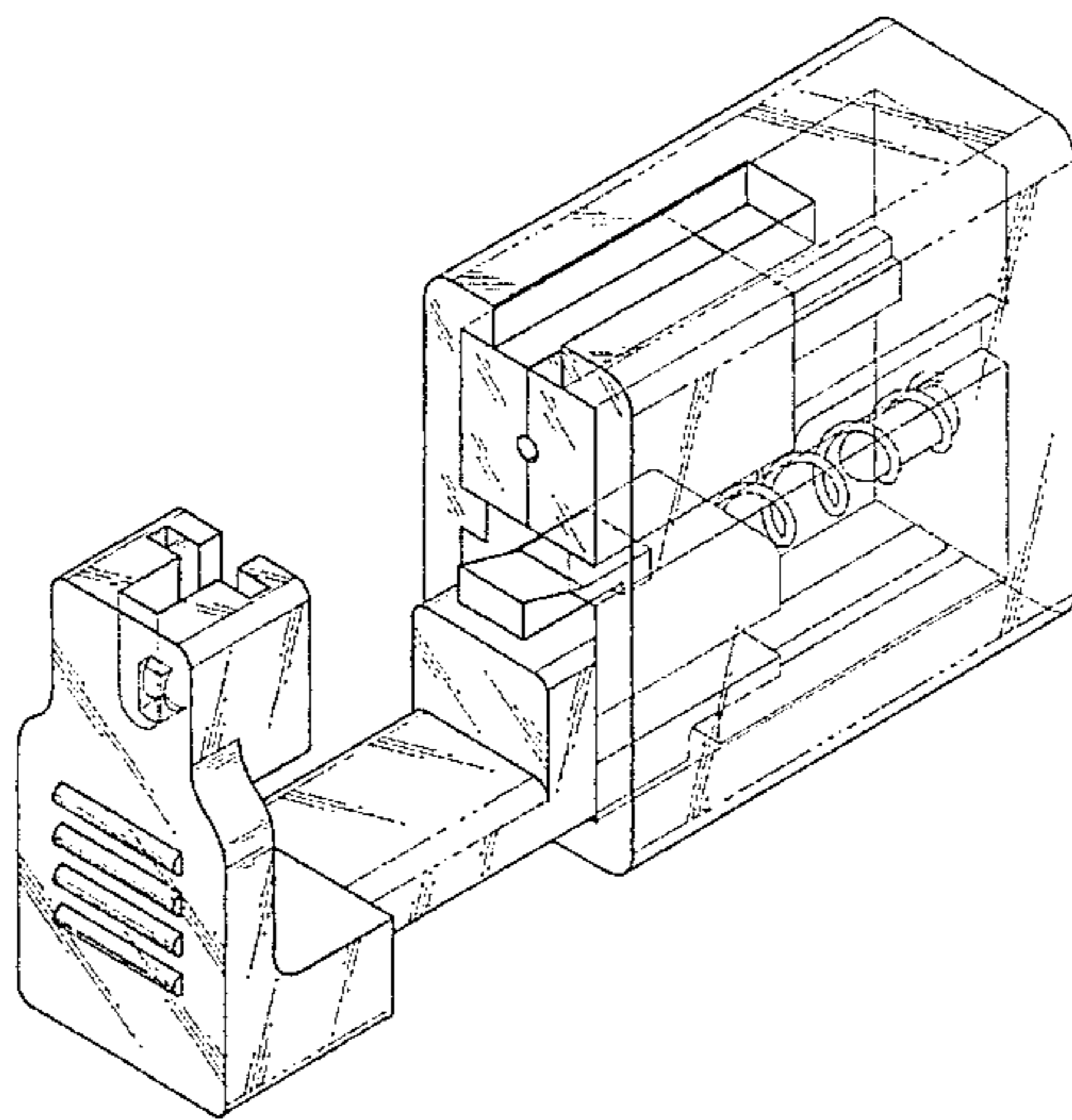


FIG. 1

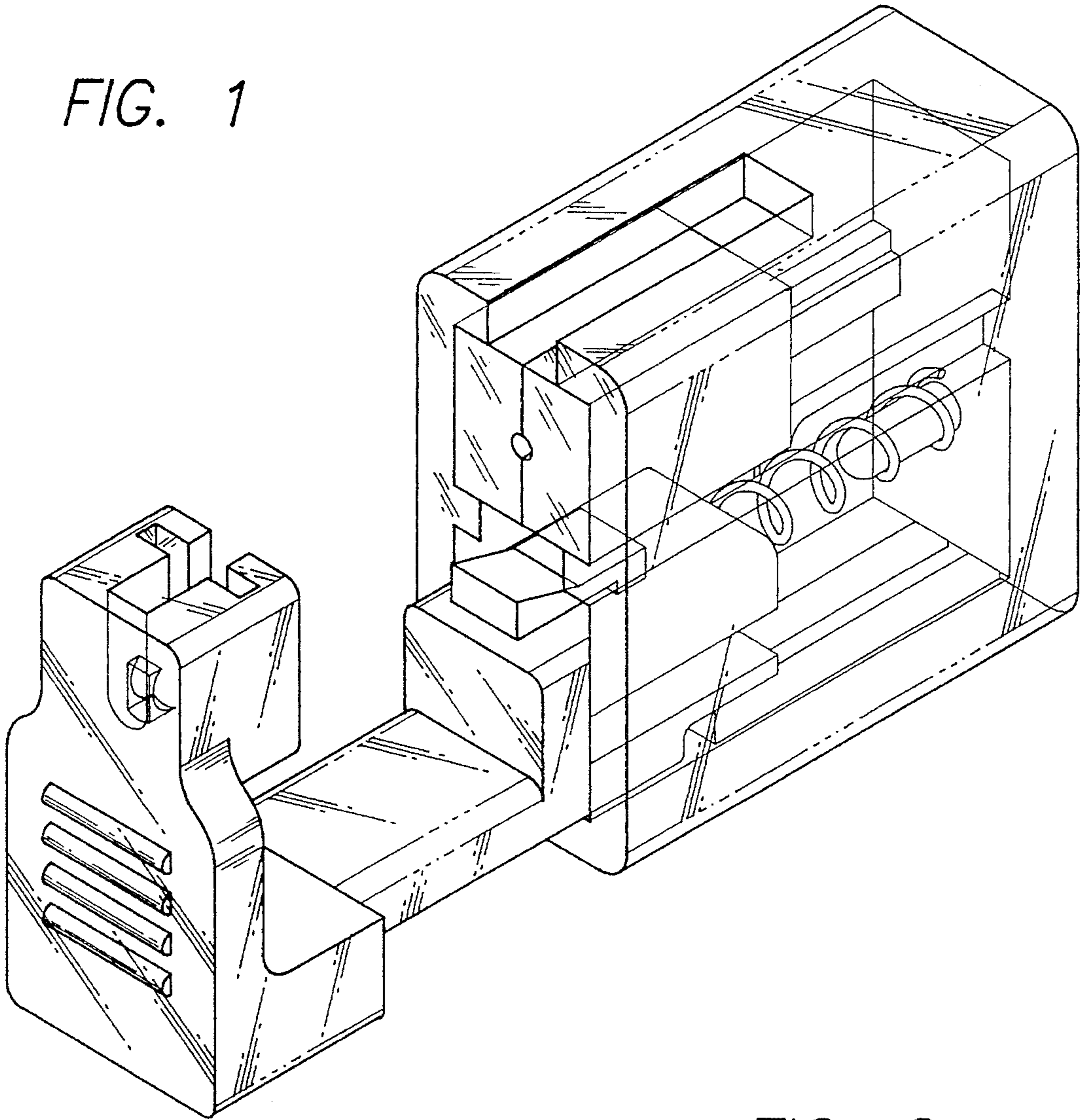
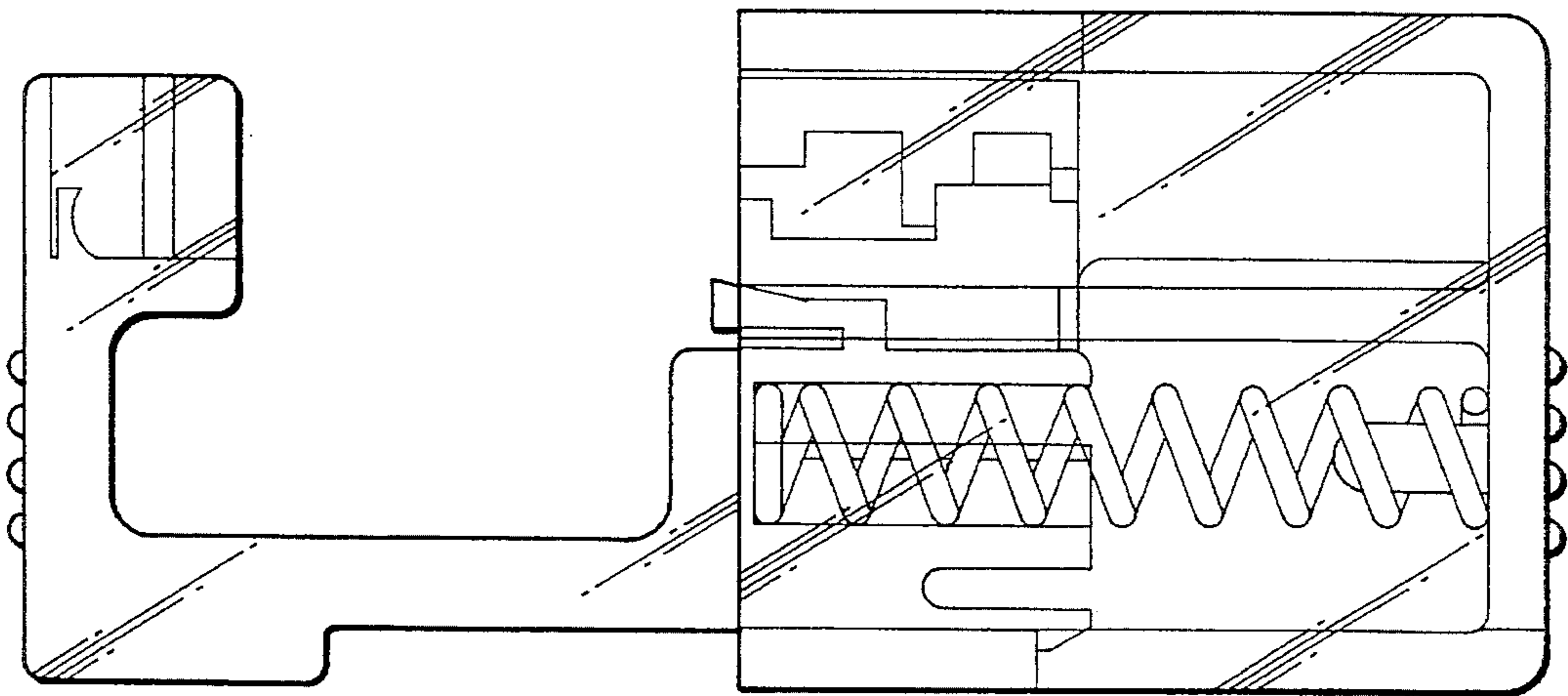


FIG. 2



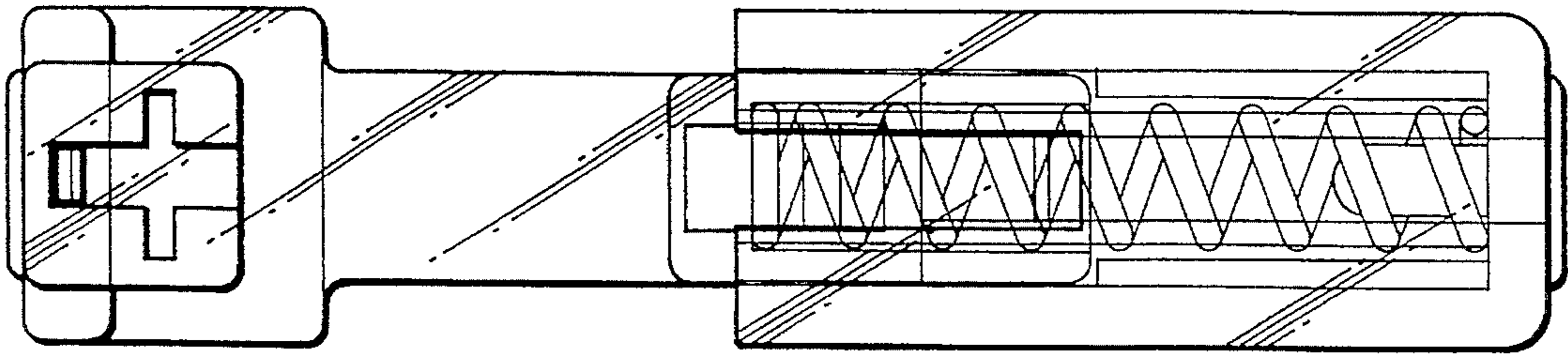


FIG. 3

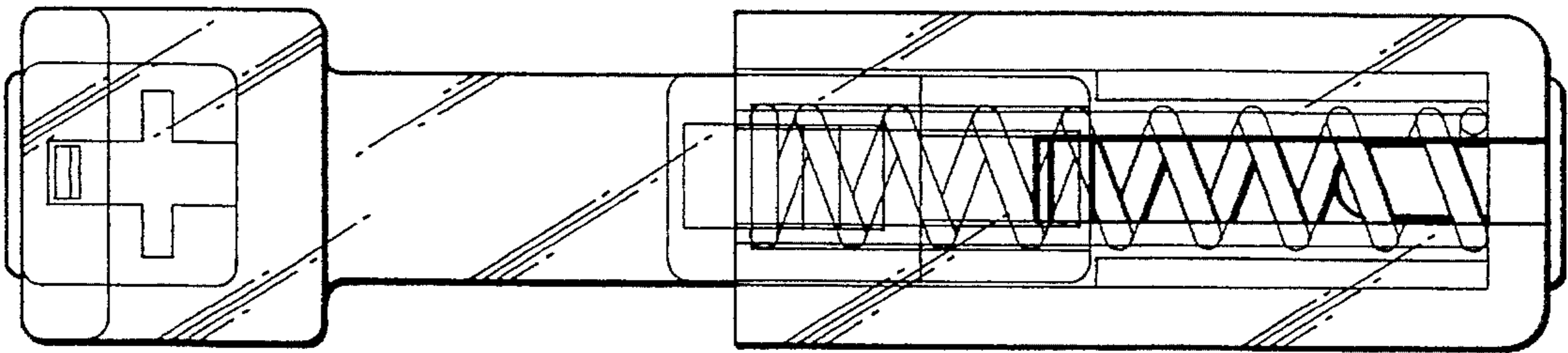


FIG. 4

FIG. 5

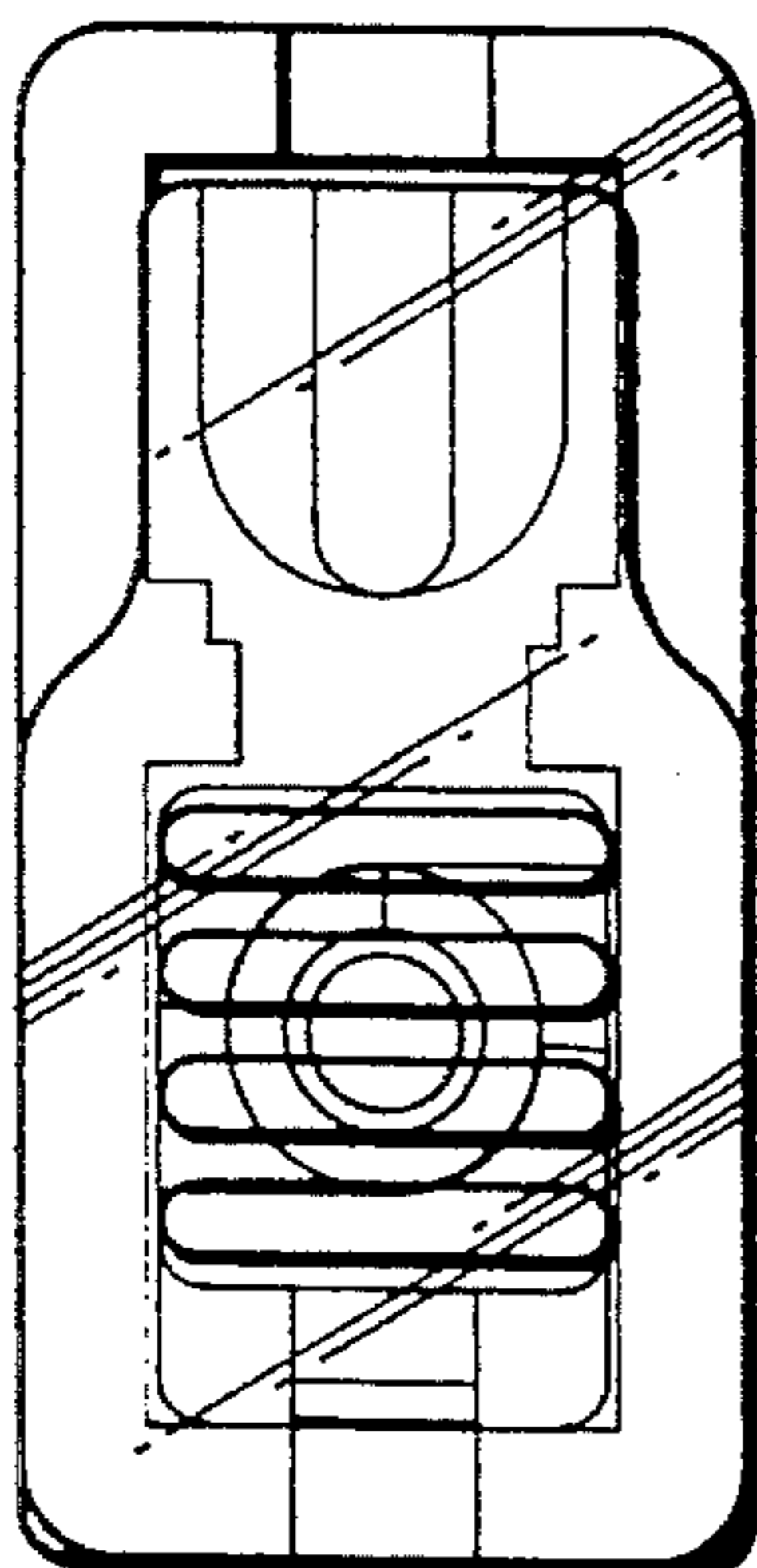


FIG. 6

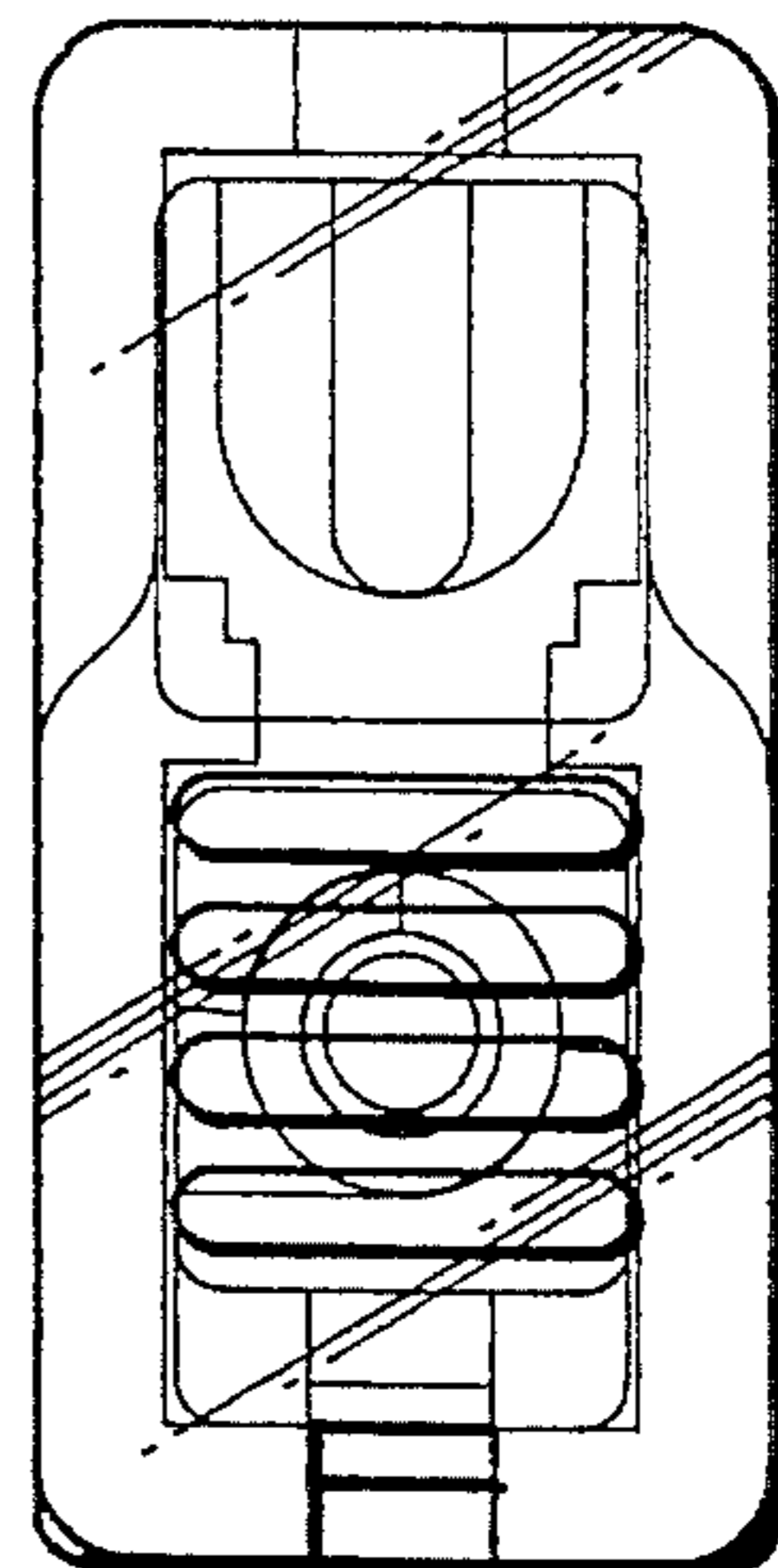


FIG. 7

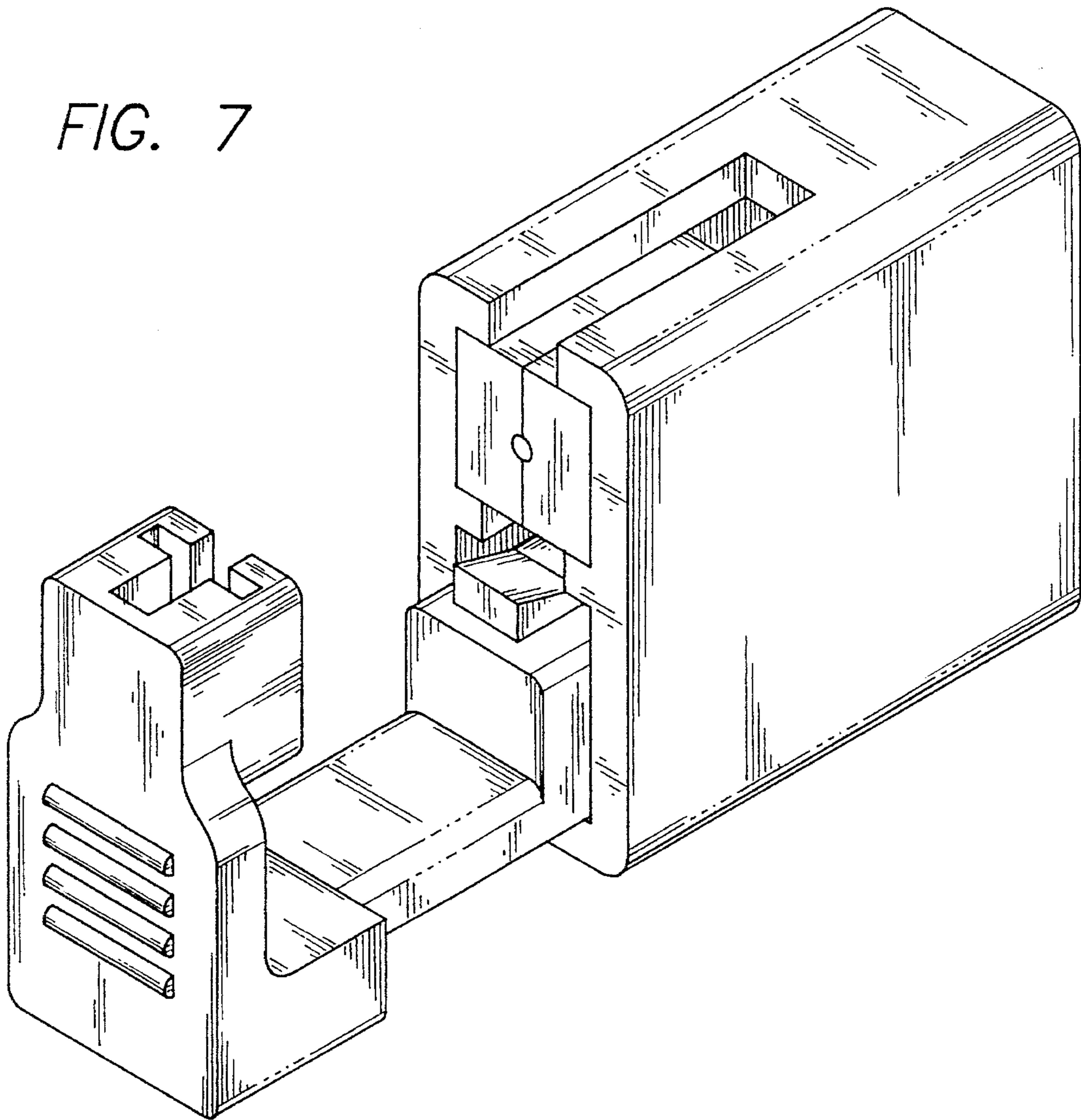
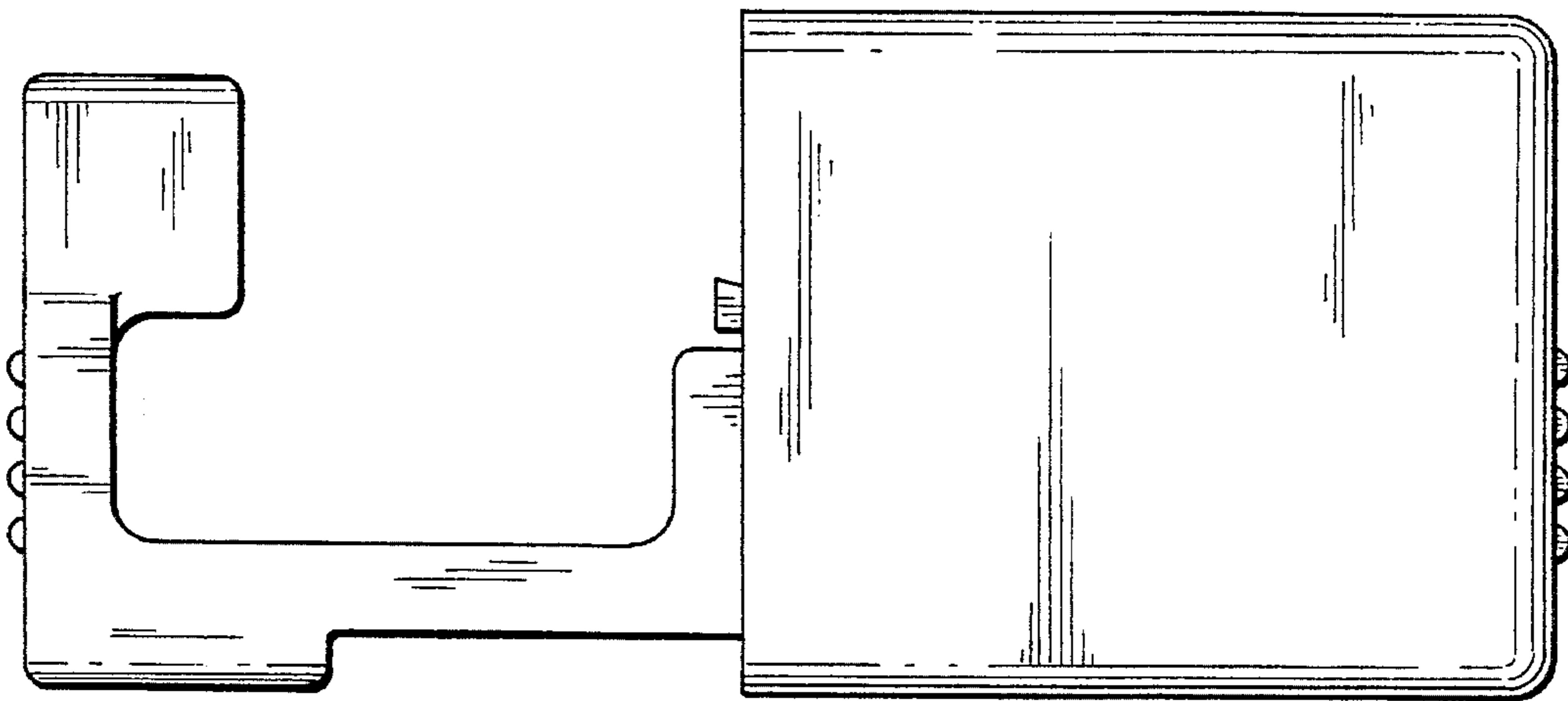


FIG. 8



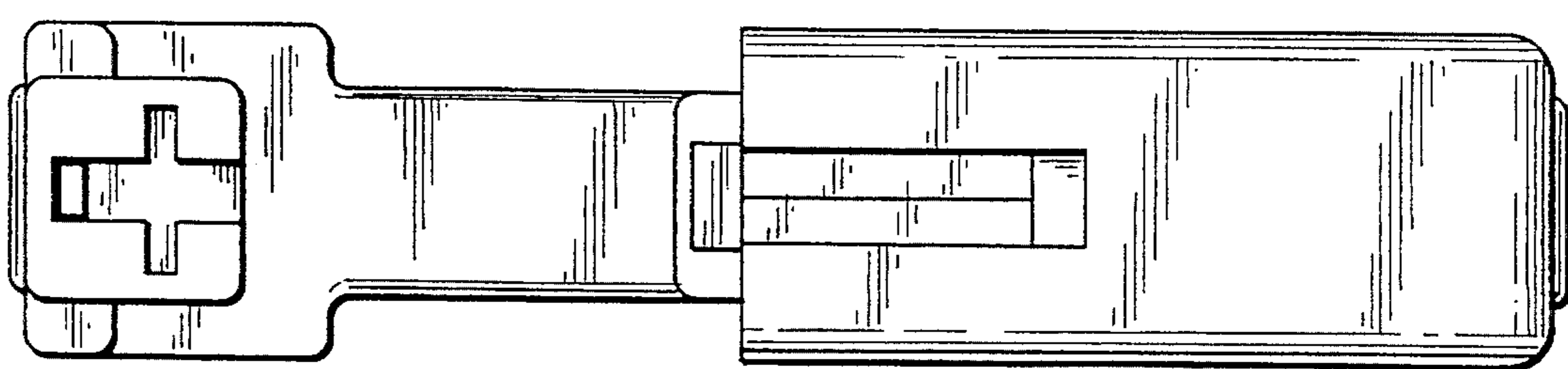


FIG. 9

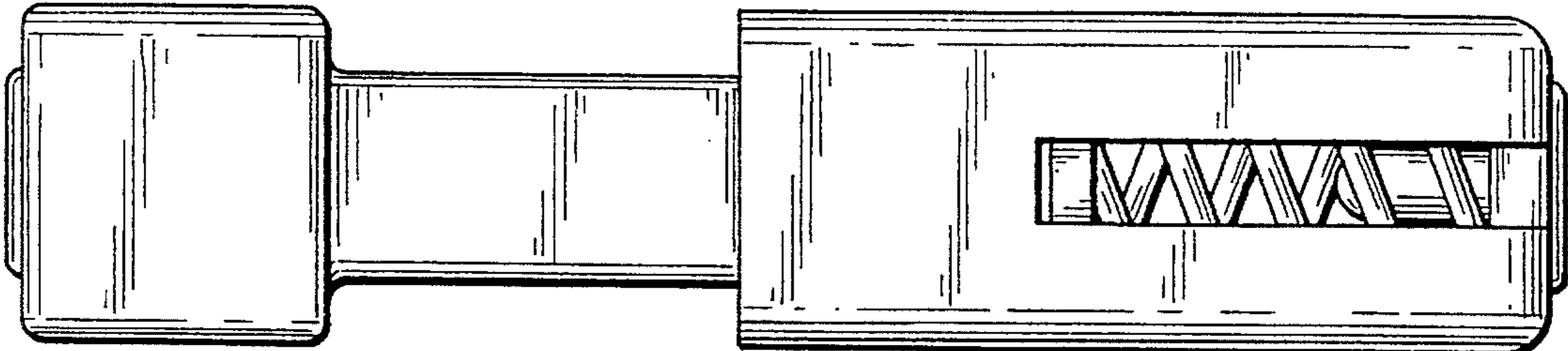


FIG. 10

FIG. 11

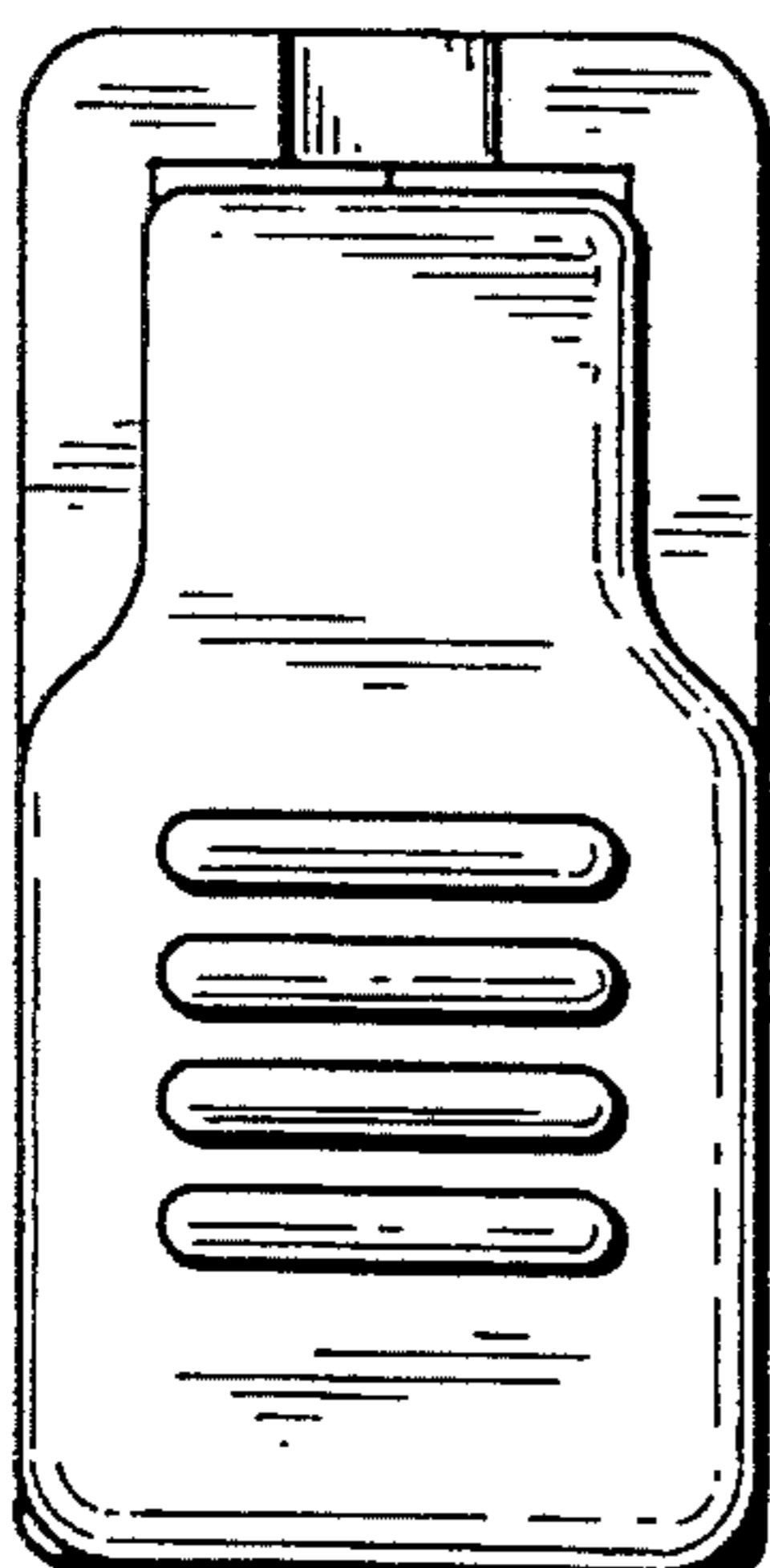


FIG. 12

