



US00D366314S

United States Patent [19]

Kaizaki et al.

[11] **Patent Number: Des. 366,314**

[45] **Date of Patent: **Jan. 16, 1996**

[54] **NEBULIZER**

[75] Inventors: **Masaru Kaizaki, Nara; Shigeru Makita, Kamigyo; Takao Terada, Takatsuki, all of Japan**

[73] Assignee: **Omron Corporation, Kyoto, Japan**

[**] Term: **14 Years**

[21] Appl. No.: **27,367**

[22] Filed: **Aug. 19, 1994**

[52] U.S. Cl. **D24/110**

[58] Field of Search D24/110; 120/200.14, 120/200.16, 200.18, 200.17, 203.25, 203.26, 203.27, 200.11

[56] **References Cited**

U.S. PATENT DOCUMENTS

- D. 259,954 7/1981 Reichl D24/110
- D. 260,119 8/1981 Reichl D24/110
- D. 260,435 8/1981 Marloth et al. D24/110

- D. 260,933 9/1981 Reichl D24/110
- D. 266,701 10/1982 Marloth D24/110
- 3,812,853 5/1974 Crain D24/110 X

Primary Examiner—Lou Zarfaz
Assistant Examiner—I. Simmons
Attorney, Agent, or Firm—Fish & Richardson

[57] **CLAIM**

The ornamental design for a nebulizer, as shown.

DESCRIPTION

FIG. 1 is a side view of the design; FIG. 2 is a front elevation view; FIG. 3 is the other side view; FIG. 4 is a rear elevation view; FIG. 5 is a top plan view; FIG. 6 is an underside view; FIG. 7 is a front, perspective view; and, FIG. 8 is a rear, perspective view.

1 Claim, 5 Drawing Sheets

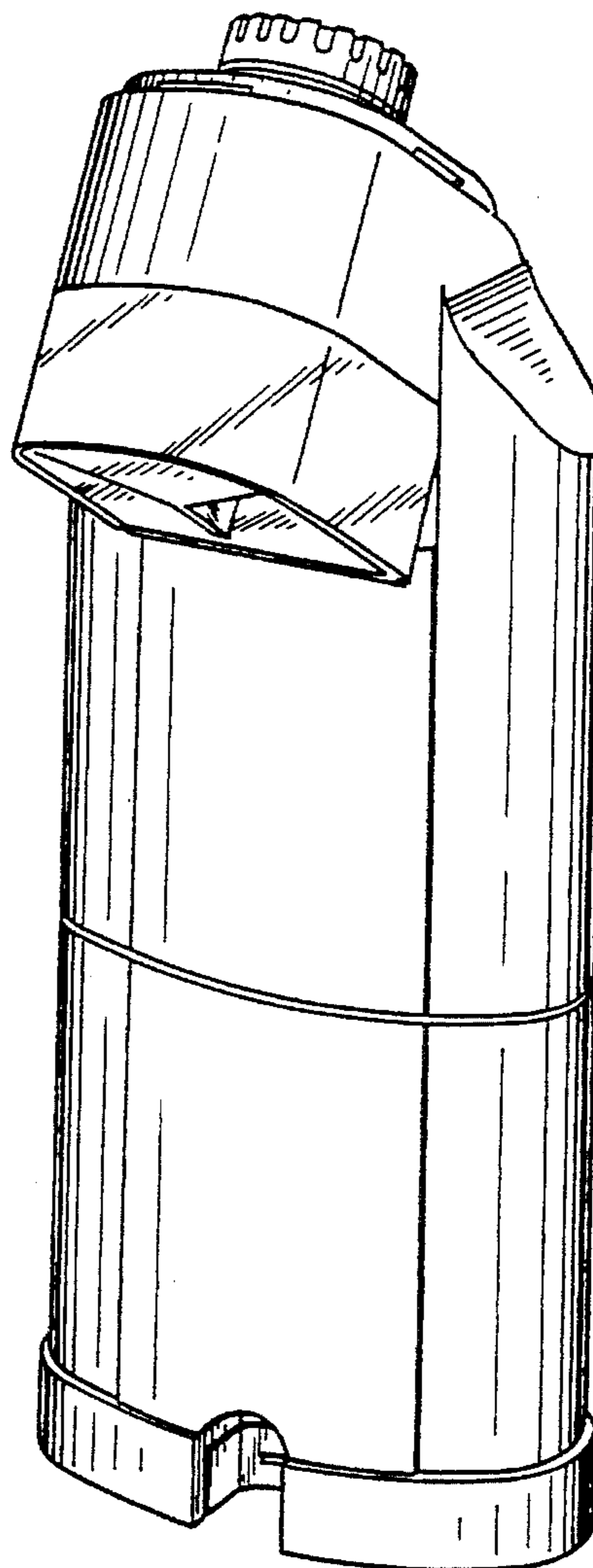
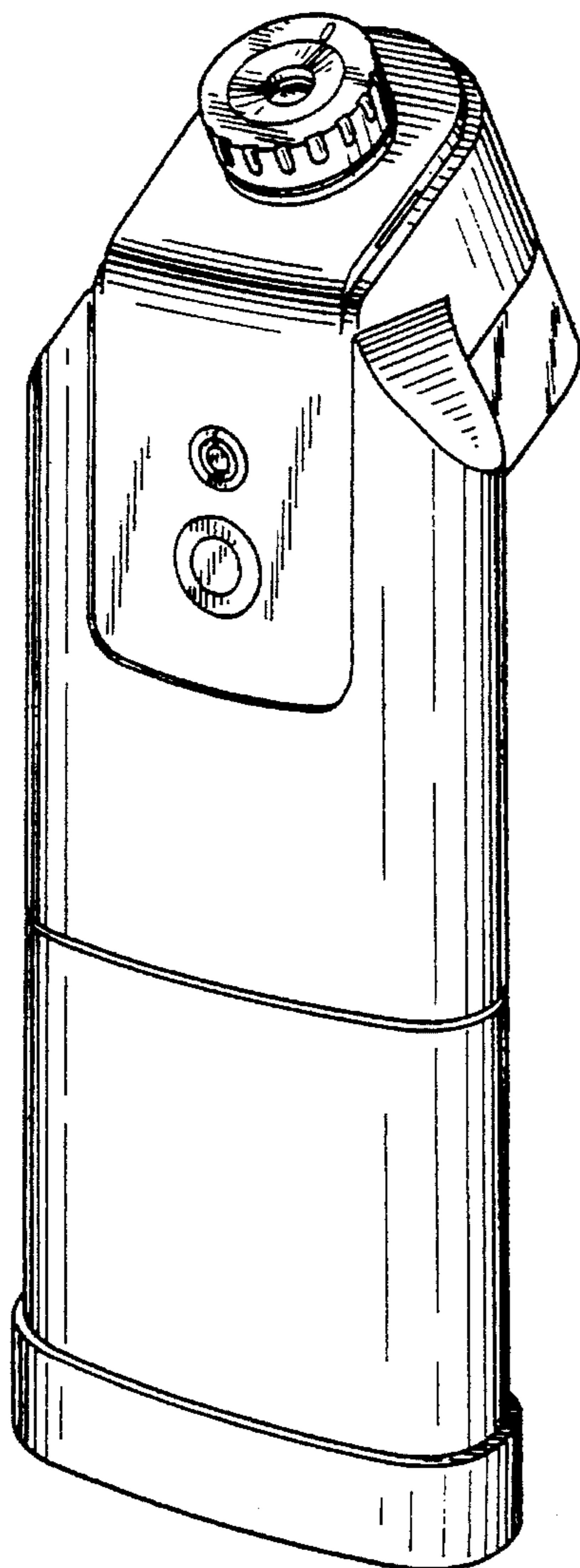


FIG. 1

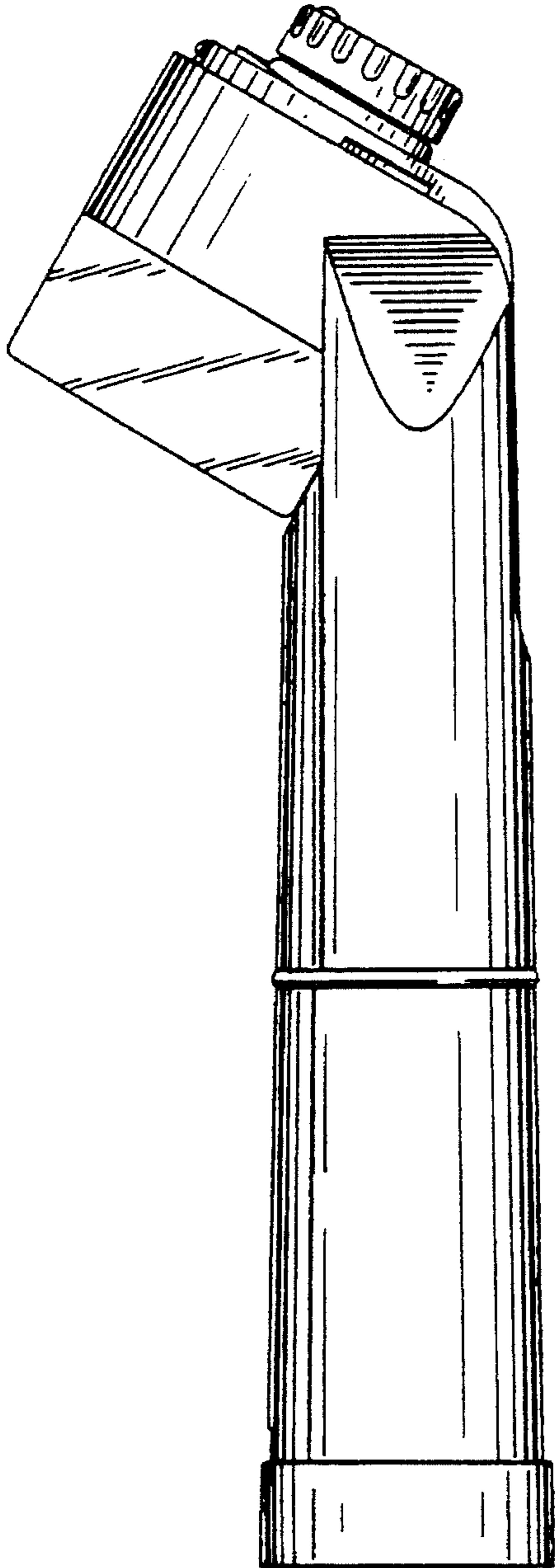


FIG. 2

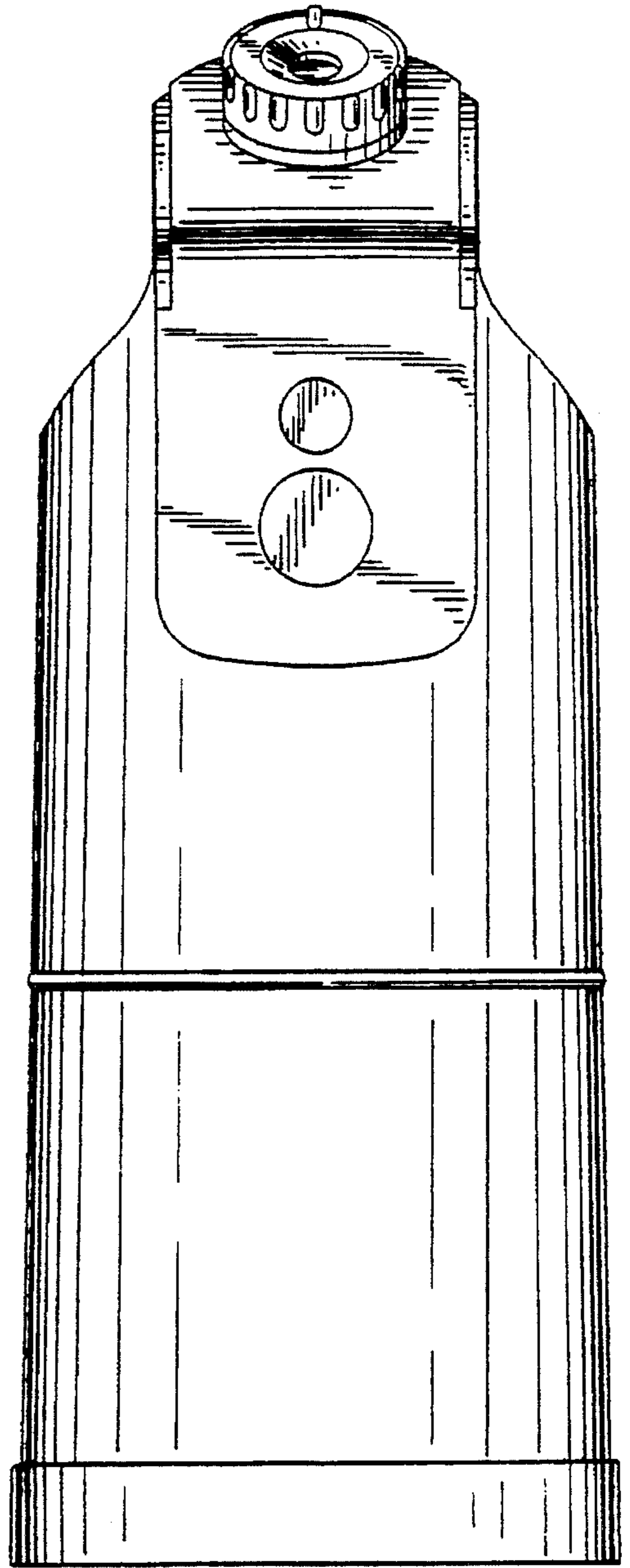


FIG. 3

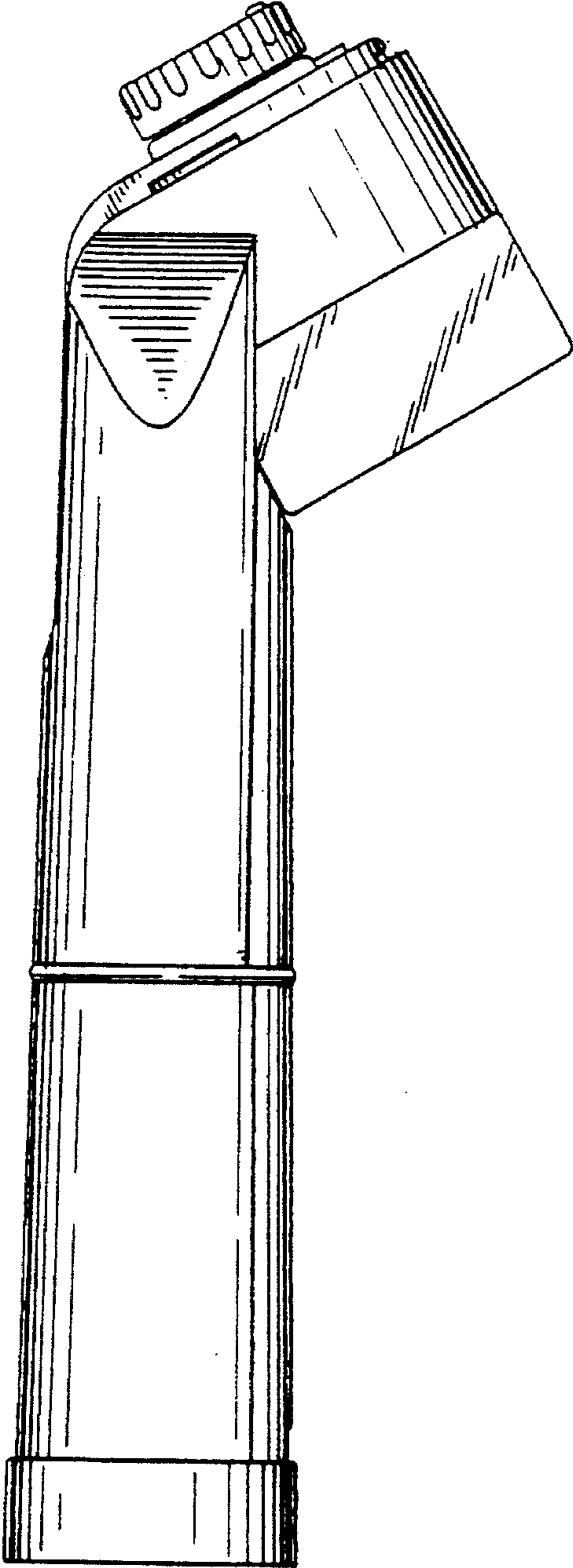


FIG. 4

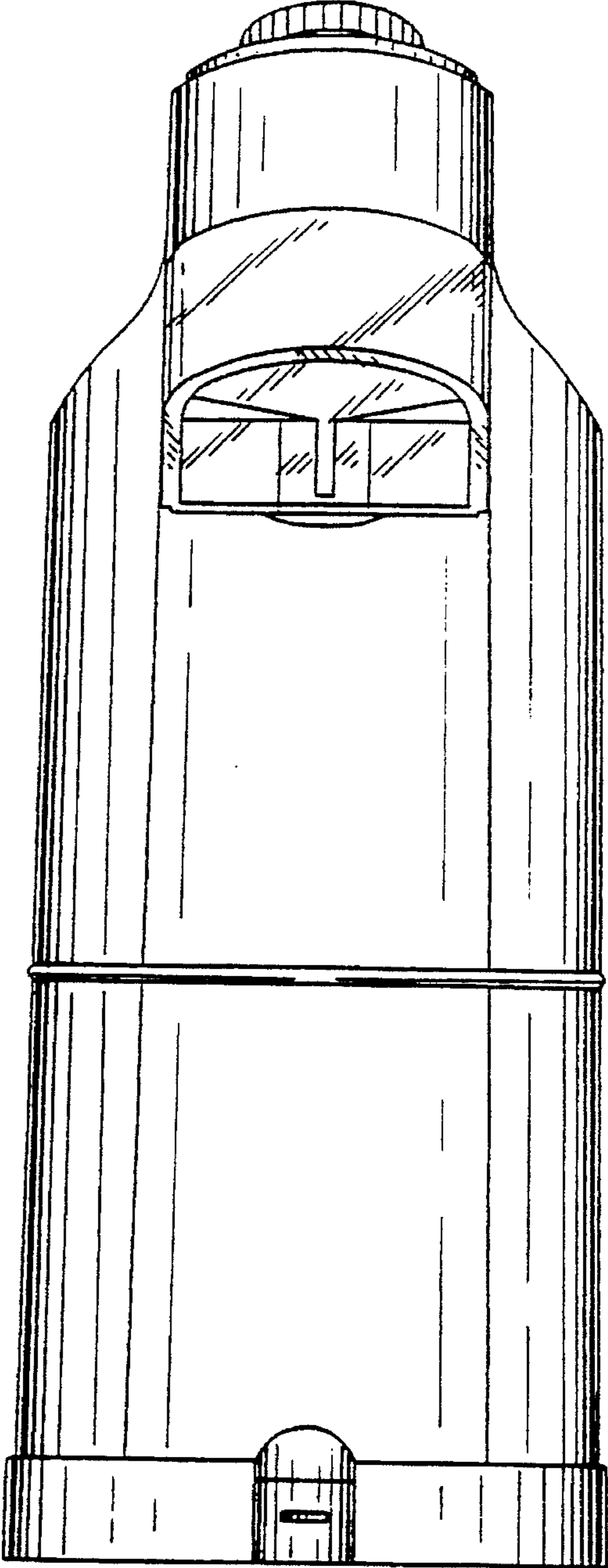


FIG. 5

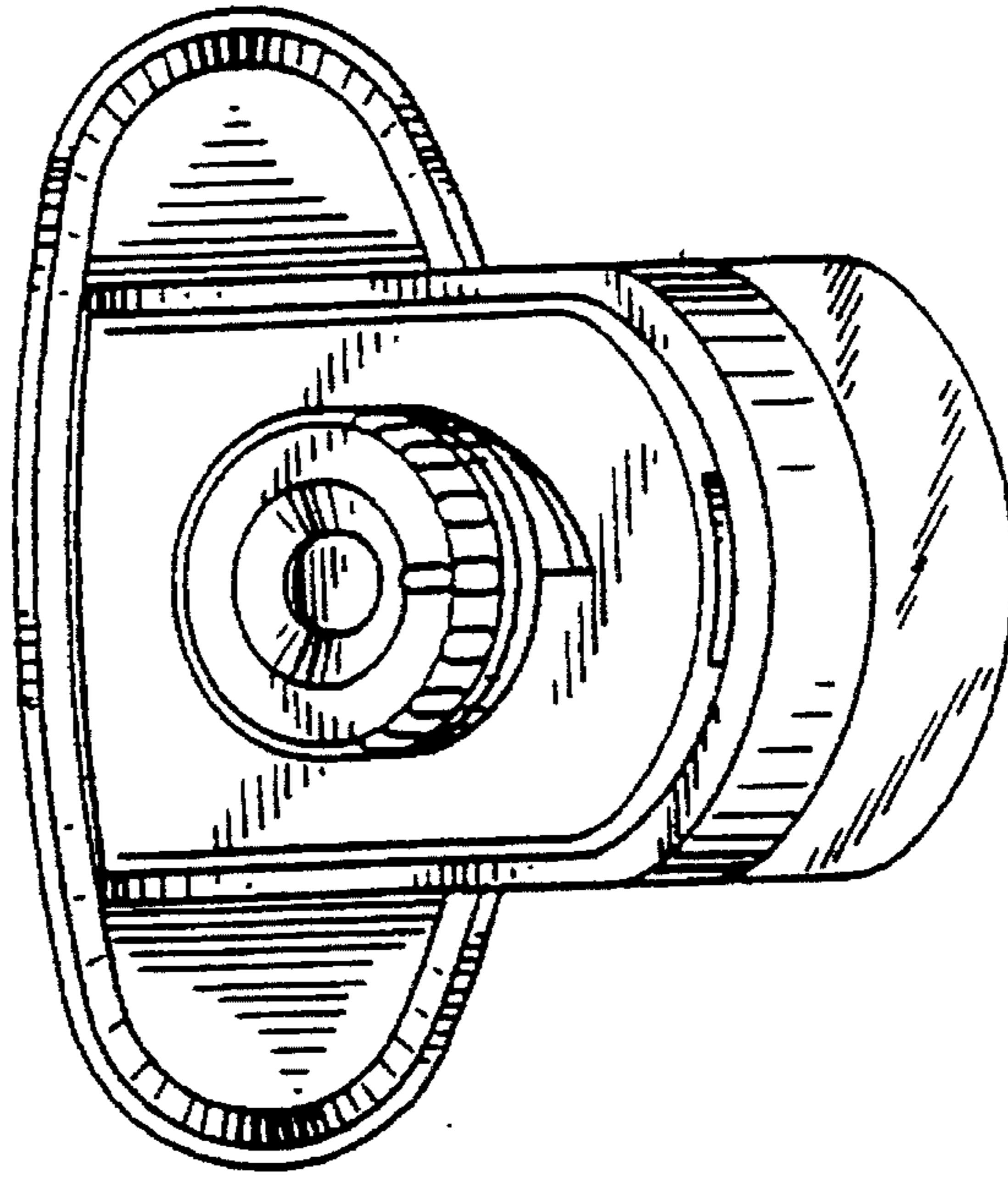


FIG. 6

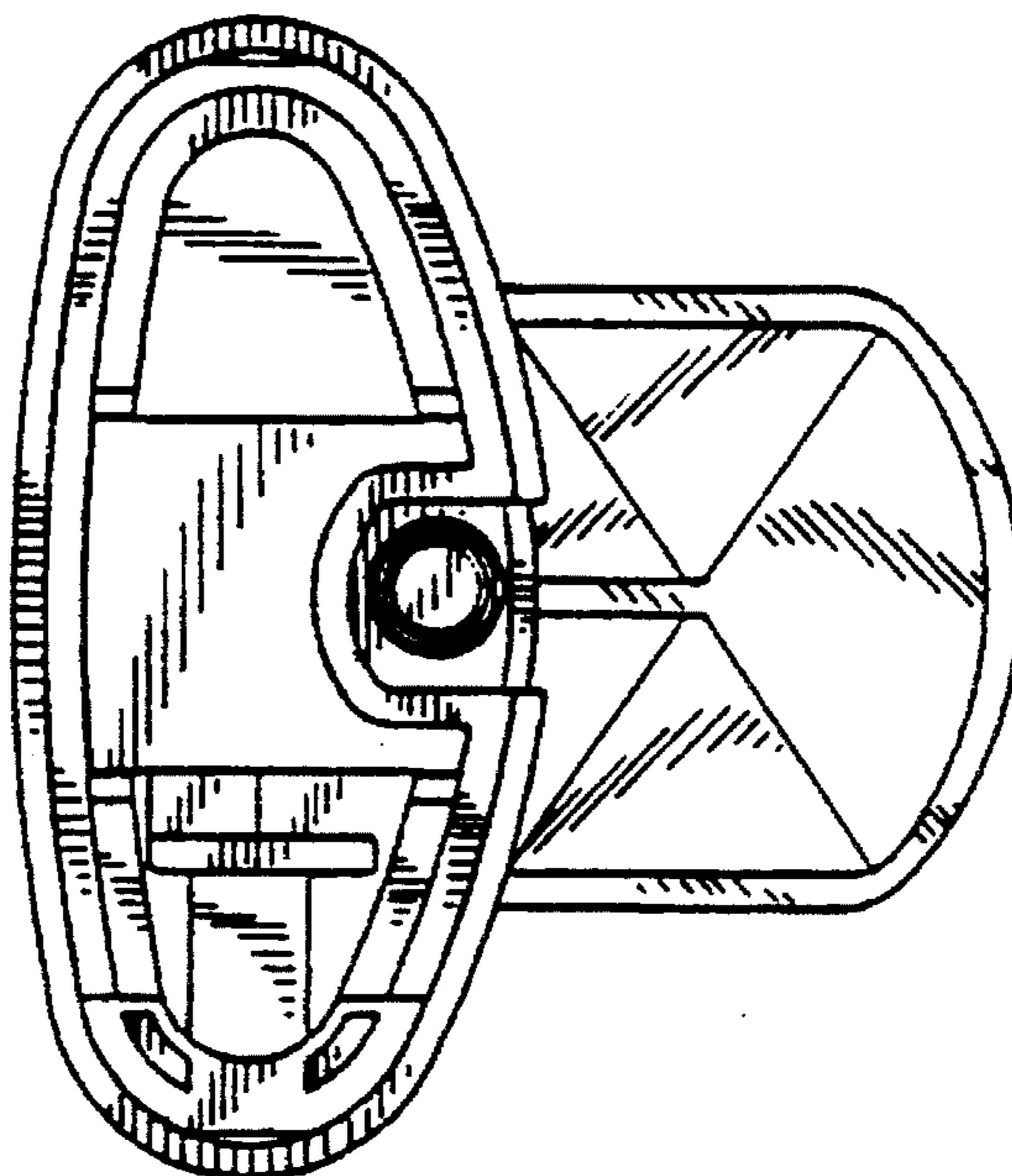


FIG. 7

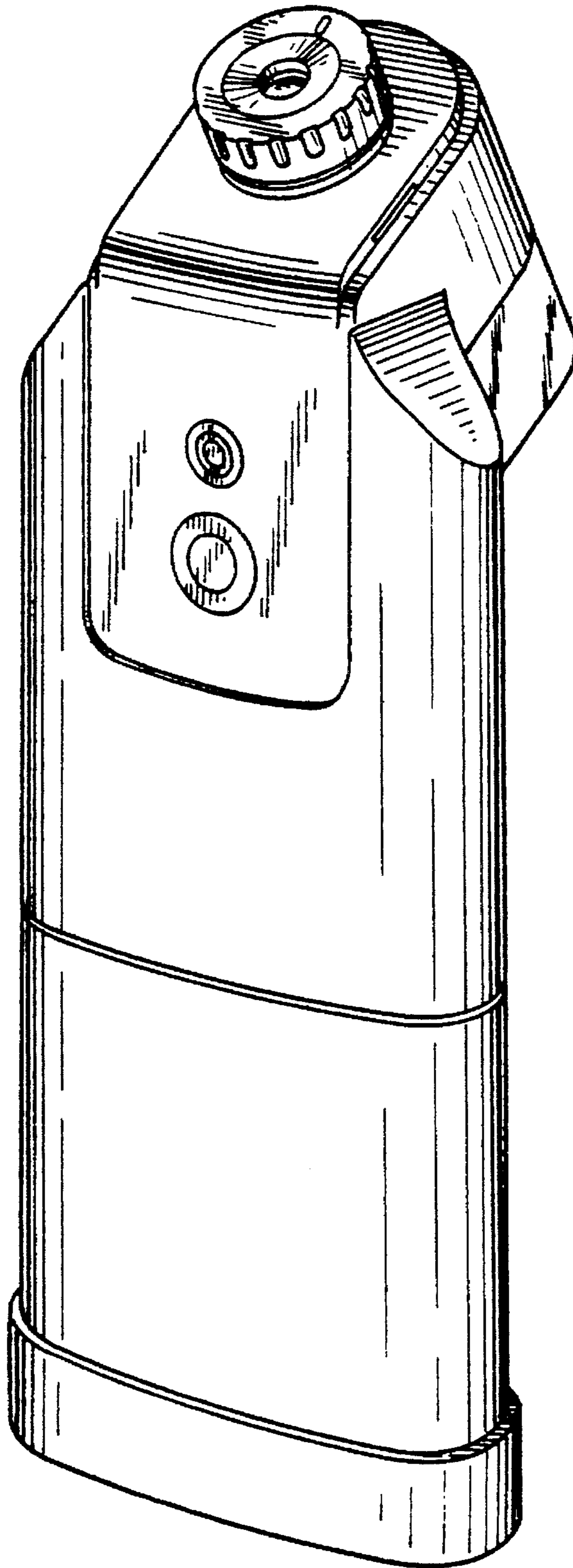


FIG. 8

