



US00D366313S

United States Patent [19]

[11] Patent Number: **Des. 366,313**

Krause

[45] Date of Patent: ***** Jan. 16, 1996**

[54] EAR PLUG

FOREIGN PATENT DOCUMENTS

[76] Inventor: **Ward B. Krause**, 10518 Ni River Dr., Spotsylvania, Va. 22553

0504124	9/1992	European Pat. Off.	128/864
1258398	3/1961	France	128/864
0225607	9/1910	Germany	128/864
1731214A1	11/1988	U.S.S.R. .	

[*] Notice: The portion of the term of this patent subsequent to Nov. 21, 2009, has been disclaimed.

OTHER PUBLICATIONS

[**] Term: **14 Years**

Santoprene Monsanto Elastomers brochure (TPE74-01) prior art.

[21] Appl. No.: **26,203**

Shell Chemical Company Technical Bulletin SC:1032-88, KRATON Thermoplastic Rubber Medical Products (May 1988).

[22] Filed: **Jul. 21, 1994**

Provisional Technical Bulletin for KRATON G-2706, GLS Plastics (Aug. 1989).

[52] U.S. Cl. **D24/106**

[58] Field of Search D24/106; 128/864, 128/865, 860, 867, 868; 181/130, 135; D21/108

Primary Examiner—Louis S. Zarfes

Assistant Examiner—I. Simmons

Attorney, Agent, or Firm—Banner & Allegretti, Ltd.

[56] References Cited

[57] CLAIM

U.S. PATENT DOCUMENTS

The ornamental design for an ear plug, as shown and described.

Re. 29,487	12/1977	Gardner, Jr. .	
1,344,935	6/1920	Baum .	
2,246,736	8/1938	Knudsen .	
2,437,490	6/1942	Watson et al. .	
2,785,675	3/1957	Berkman .	
2,785,676	3/1957	Berkman .	
2,824,558	2/1958	Michael et al. .	
2,850,012	9/1958	Becker	128/864
2,876,767	3/1959	Wasserman .	
2,888,921	6/1959	Nielson et al.	D24/100 X
3,736,929	6/1973	Mills .	
4,060,080	11/1977	Akiyama .	
4,434,794	3/1984	Leight .	
4,540,063	9/1985	Ochi et al. .	
4,582,053	4/1986	Wilson .	
5,080,110	1/1992	Weldon et al. .	
5,195,539	3/1993	Dyrud et al. .	
5,249,309	10/1993	Berg et al. .	

DESCRIPTION

FIG. 1 is a perspective view of an ear plug showing my new design;

FIG. 2 is a side elevational view thereof, with all other side elevational views being identical thereto;

FIG. 3 is an end elevational view thereof, the opposite end elevational view being identical thereto;

FIG. 4 is a side elevational view of a second embodiment of an earplug showing my design; and,

FIG. 5 is a side elevational view of a third embodiment of an earplug showing my design.

1 Claim, 3 Drawing Sheets

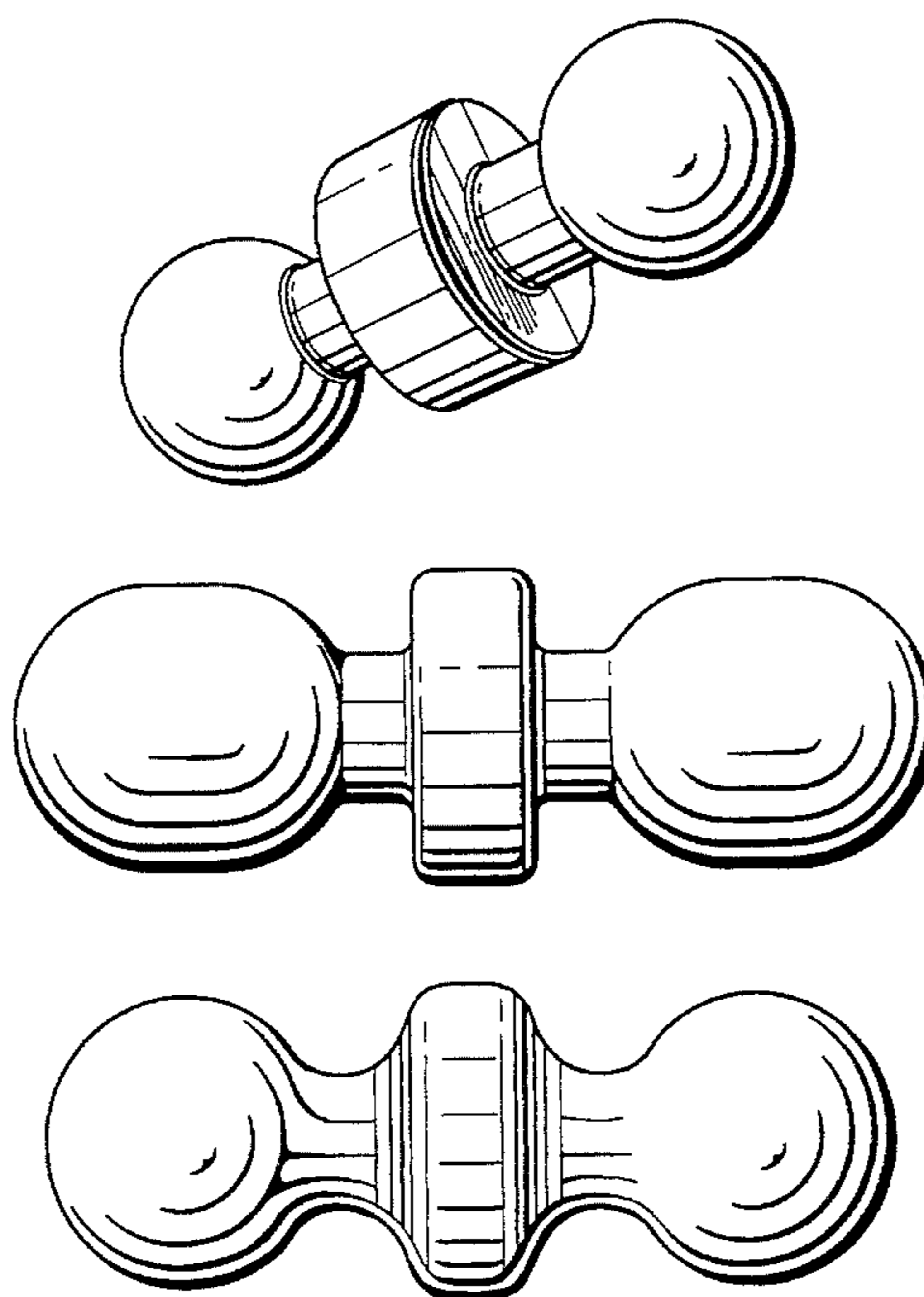


Fig 1

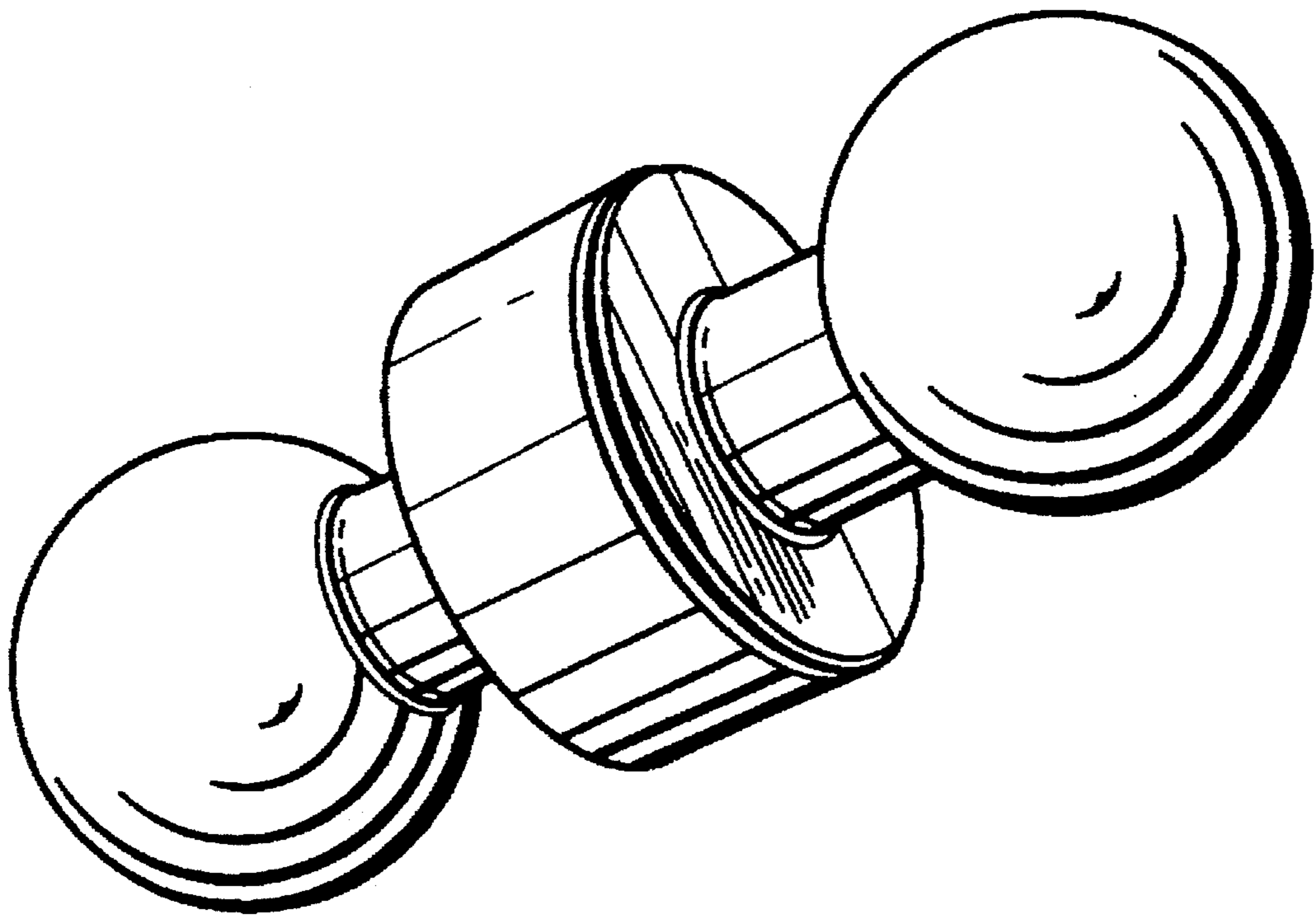


Fig 2

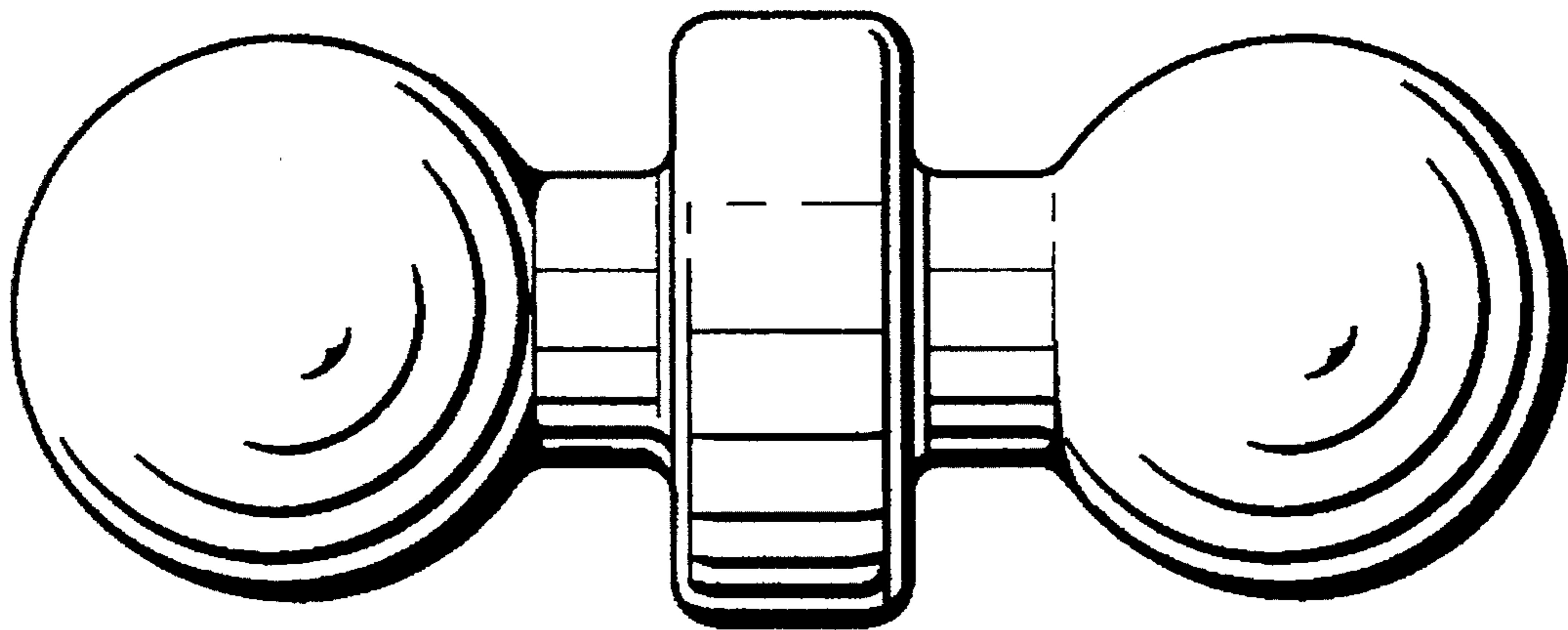


Fig 3

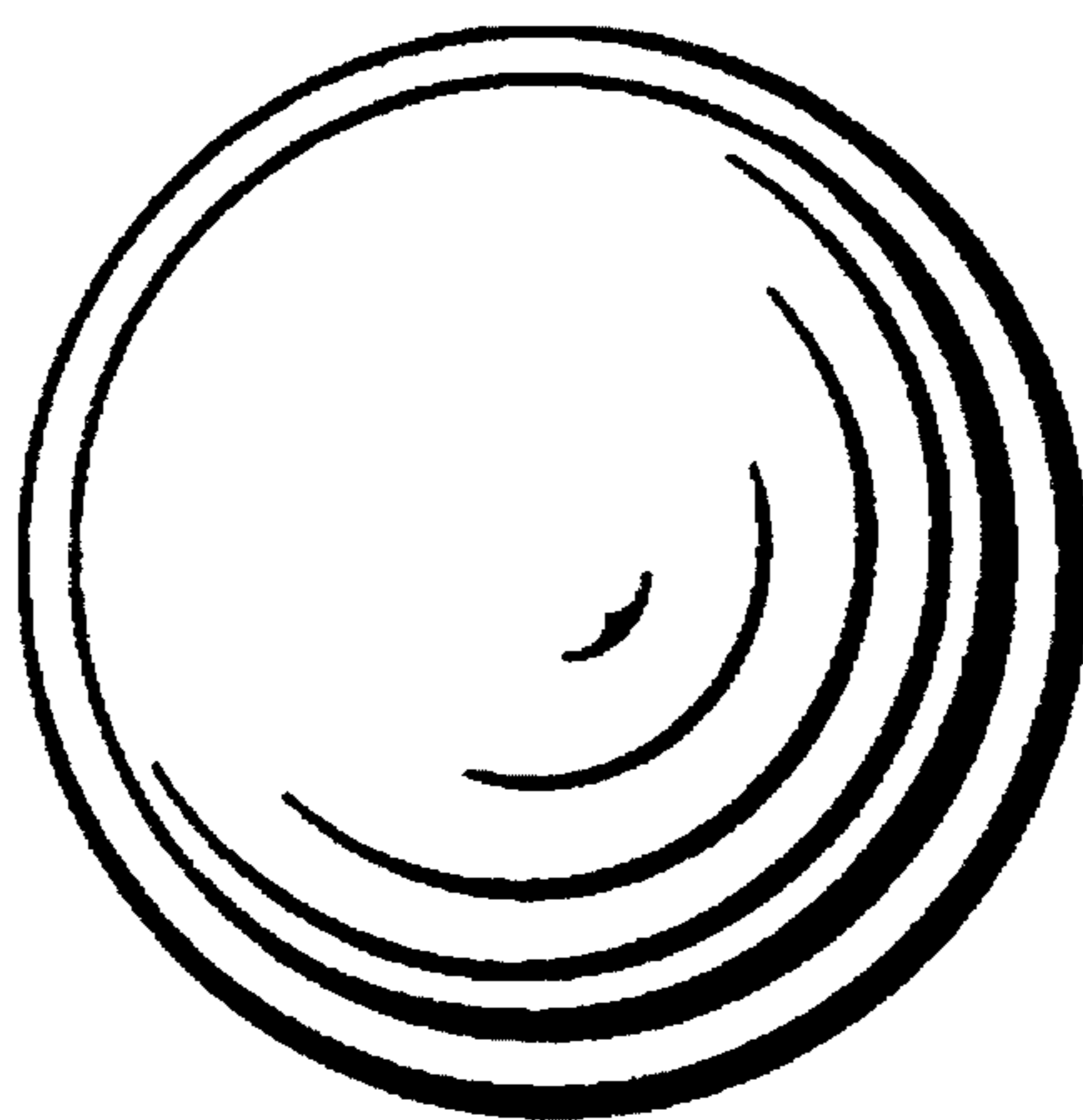


Fig 4

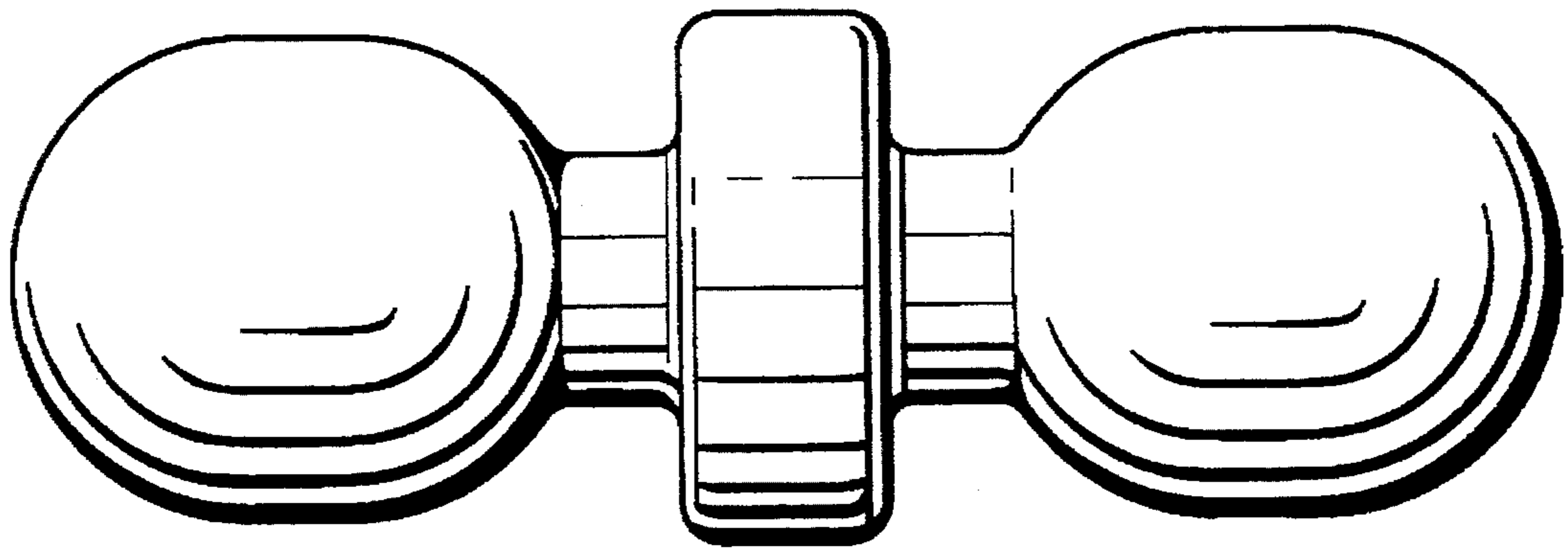


Fig 5

