



US00D366311S

United States Patent [19]
Bonnell

[11] **Patent Number: Des. 366,311**
[45] **Date of Patent: *** Jan. 16, 1996**

[54] **SINK**

[75] Inventor: **Thomas A. Bonnell**, Sheboygan, Wis.

[73] Assignee: **Kohler Co.**, Kohler, Wis.

[*] Notice: The portion of the term of this patent subsequent to Jan. 9, 2010, has been disclaimed.

[**] Term: **14 Years**

[21] Appl. No.: **17,659**

[22] Filed: **Jan. 19, 1994**

[52] U.S. Cl. **D23/288**

[58] **Field of Search** D23/284, 285, D23/287, 288, 289, 290, 292, 293.1; 4/619, 624, 625, 629, 638-642, 646, 650

[56] **References Cited**

U.S. PATENT DOCUMENTS

D. 170,727	10/1953	Stanitz	D23/288
D. 244,534	5/1977	Gruber	D23/288
D. 259,439	6/1981	Doman	D23/62
D. 336,950	6/1993	Dannenberg	D23/284
965,164	7/1910	Dunbar	4/619

OTHER PUBLICATIONS

Undated Jacuzzi ad showing a 38" NEO single threshold shower base, admitted prior art.

An undated Elkay ad showing a Model ELU-1111 under mount sink, admitted prior art.

Primary Examiner—Louis S. Zarfes
Assistant Examiner—Eric Watterson
Attorney, Agent, or Firm—Quarles & Brady

[57] **CLAIM**

The ornamental design for a sink, as shown and described.

DESCRIPTION

FIG. 1 is a perspective view taken from the top, right side and rear of a sink embodying my new design;

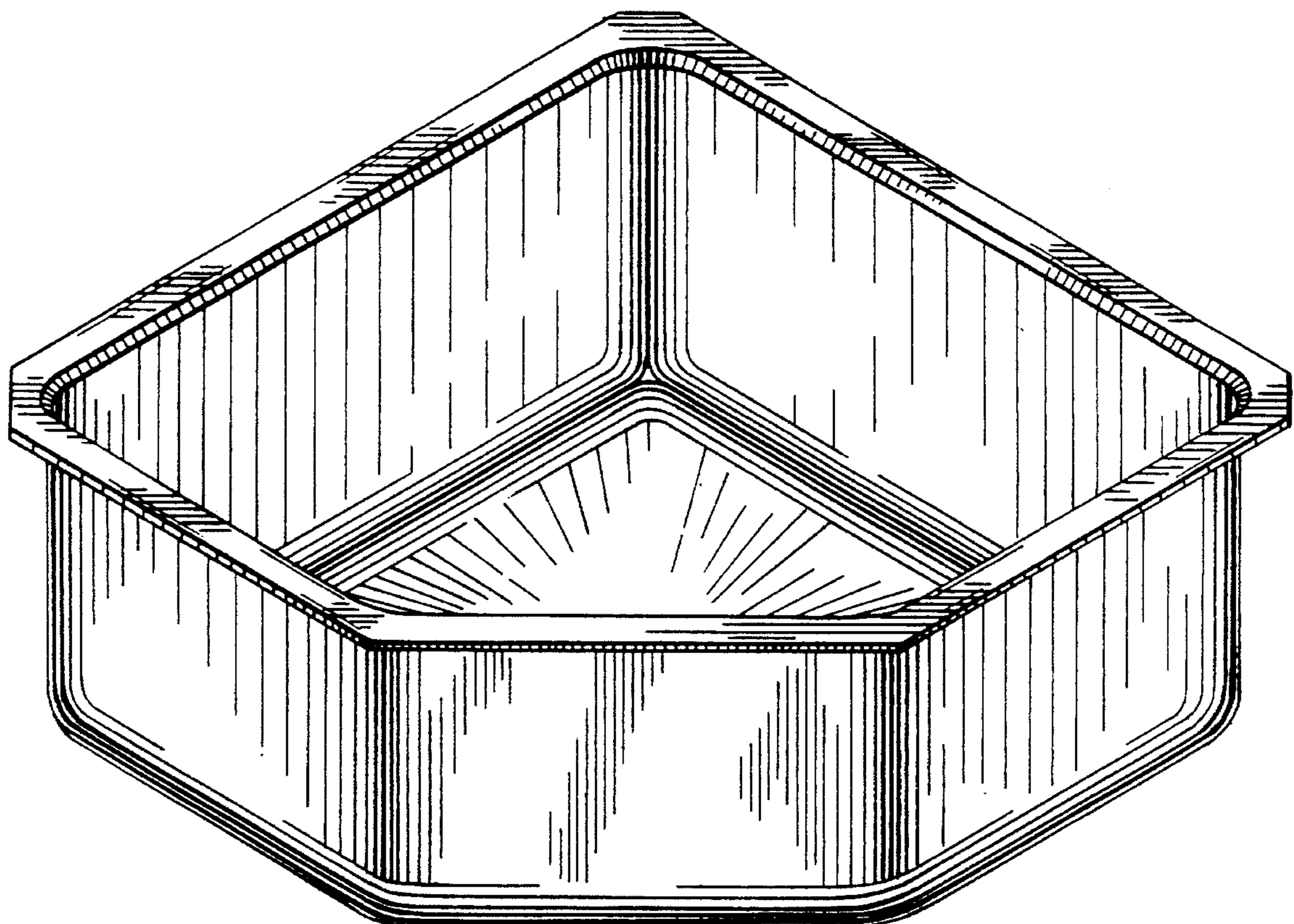
FIG. 2 is a top view thereof;

FIG. 3 is a cross-sectional view taken on line 3—3 of FIG. 2; and,

FIG. 4 is a cross-sectional view taken on line 4—4 of FIG. 2.

In the preferred embodiment the bottom is plain and unornamented except for the drain opening, which is located as shown in the drawings.

1 Claim, 2 Drawing Sheets



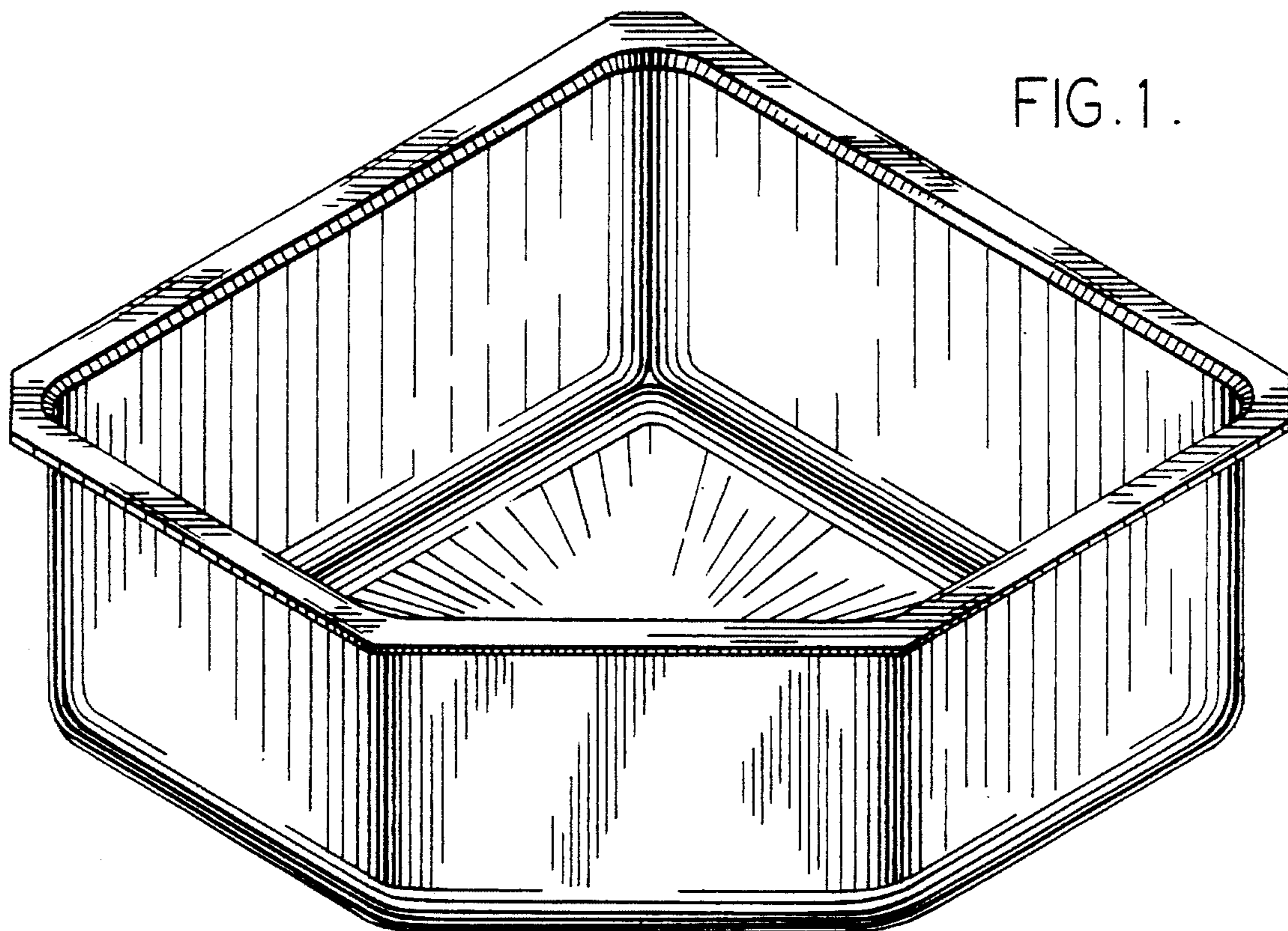


FIG. 1.

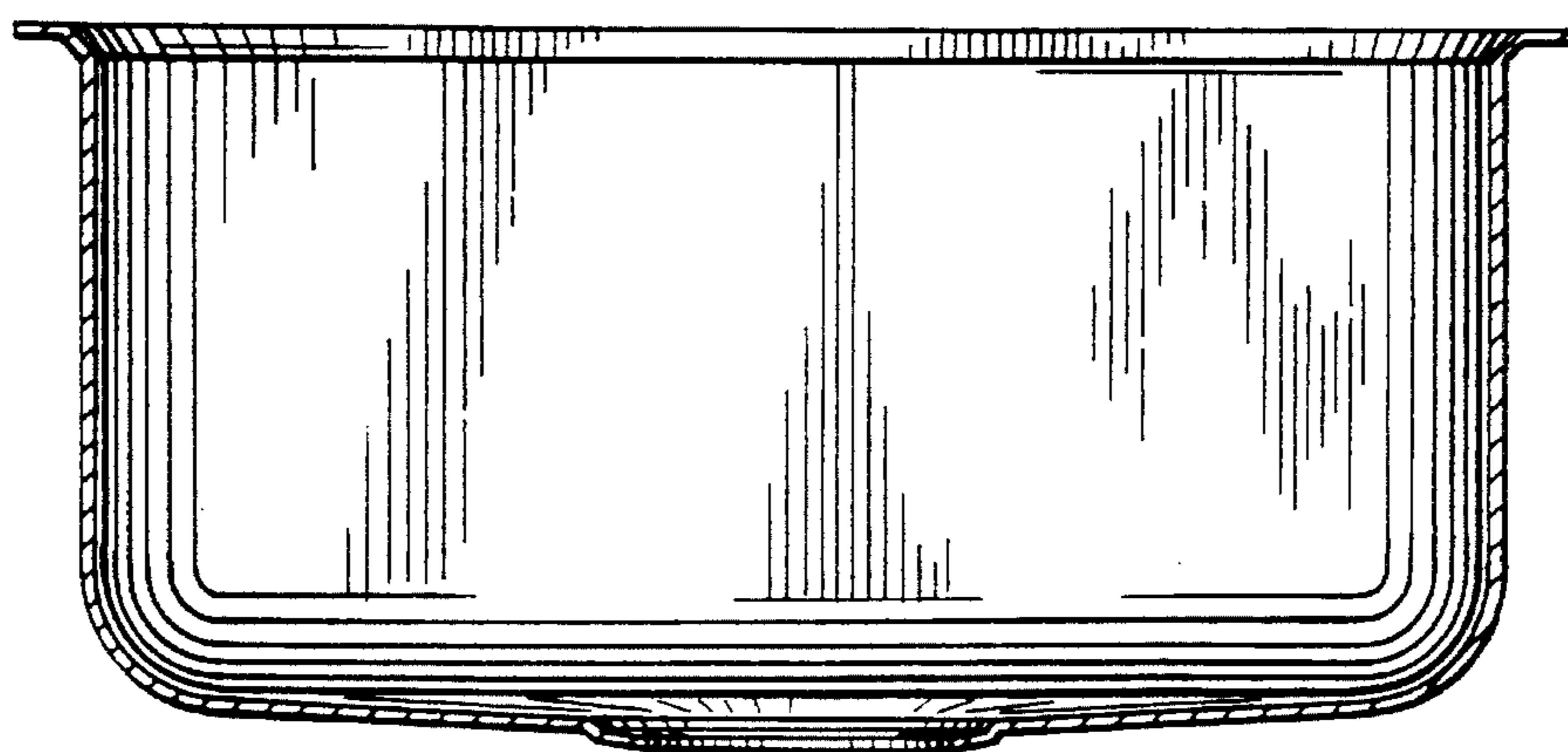


FIG. 4.

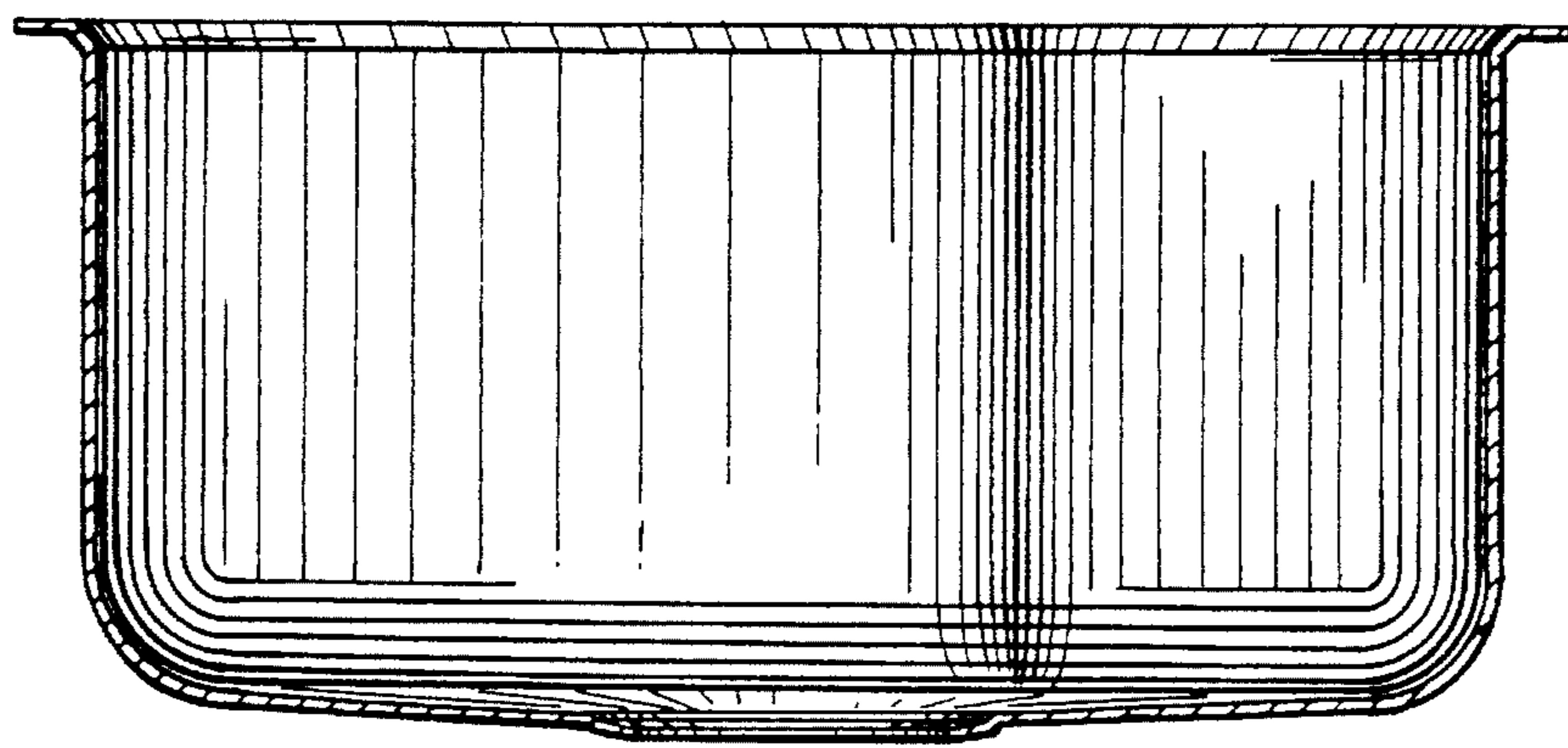
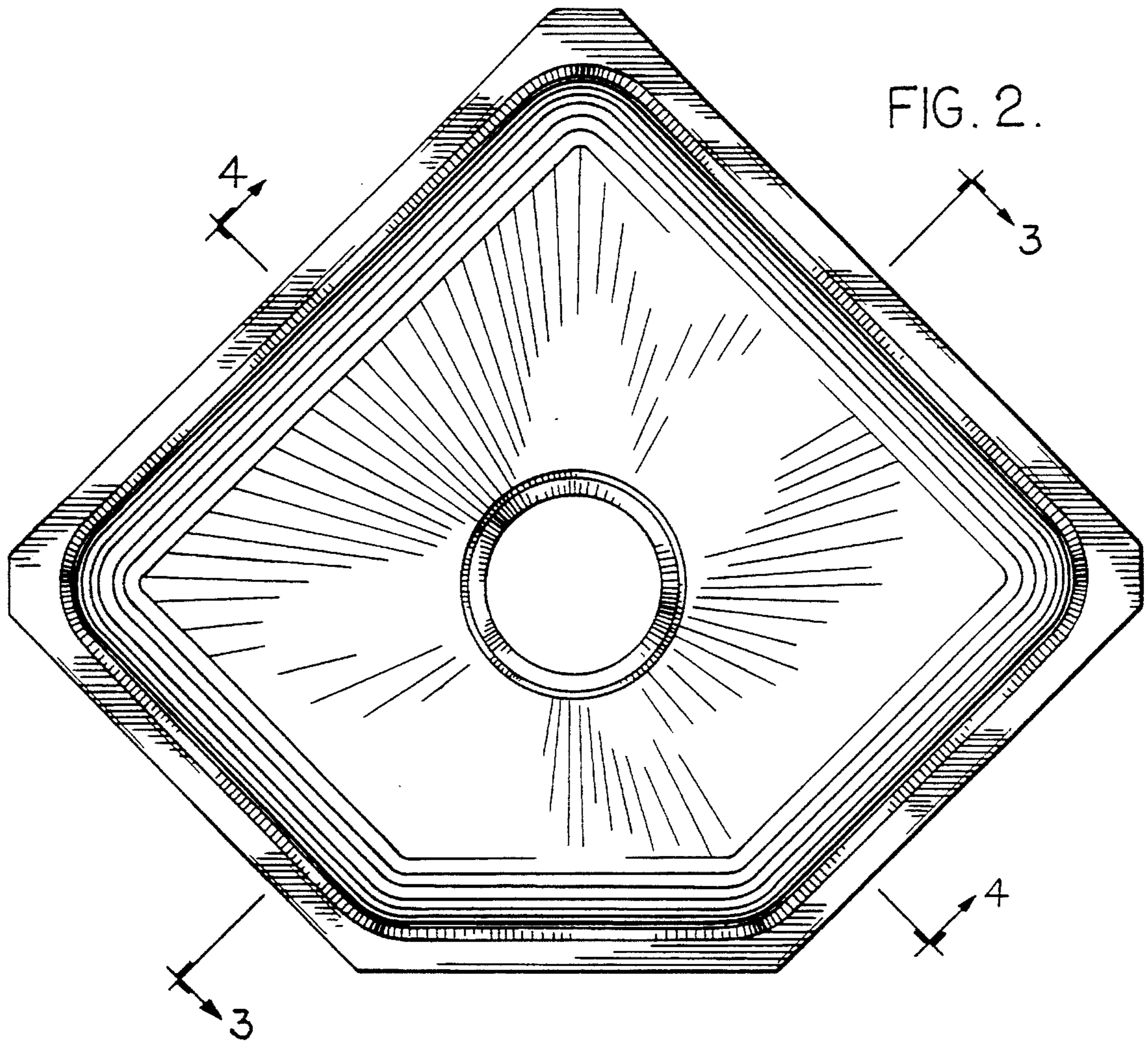


FIG. 3.

UNITED STATES PATENT AND TRADEMARK OFFICE
CERTIFICATE OF CORRECTION

PATENT NO. : DES. 366,311
DATED : January 16, 1996
INVENTOR(S) : Thomas A. Bonnell

It is certified that error appears in the above-identified patent and that said Letters Patent is hereby corrected as shown below:

The following characteristic feature statement is added to the description:

--A characteristic feature of the design resides in a sink basin having two long side walls which meld together at substantially right angles and which each meet a different shorter side wall at substantially right angles, the two shorter side walls in turn being joined by a shortest side wall.--

Signed and Sealed this
Twenty-third Day of December, 1997



Attest:

BRUCE LEHMAN

Attesting Officer

Commissioner of Patents and Trademarks