



US00D366310S

United States Patent [19]

[11] Patent Number: **Des. 366,310**

Fell

[45] Date of Patent: ****Jan. 16, 1996**

[54] MESSAGE DISPLAY SADDLE FOR A FUEL DISPENSING NOZZLE

Primary Examiner—A. Hugo Word
Assistant Examiner—Robin V. Taylor
Attorney, Agent, or Firm—Frank J. Benasutti

[76] Inventor: **Michael J. Fell**, 541 Ramblewood Dr., Bryn Mawr, Pa. 19010

[57] **CLAIM**

[**] Term: **14 Years**

The ornamental design for a message display saddle for a fuel dispensing nozzle, as shown and described.

[21] Appl. No.: **31,120**

DESCRIPTION

[22] Filed: **Nov. 18, 1994**

[52] U.S. Cl. **D23/227**

[58] Field of Search D23/213, 227;
239/288, 288.3, 288.5; 137/377, 379; 141/52,
208, 209, 392

FIG. 1 is a right, front perspective view of a message display saddle for fuel dispensing nozzle showing my new design, the broken line showing of a fuel dispensing nozzle is for illustrative purposes only and forms no part of the claimed design;

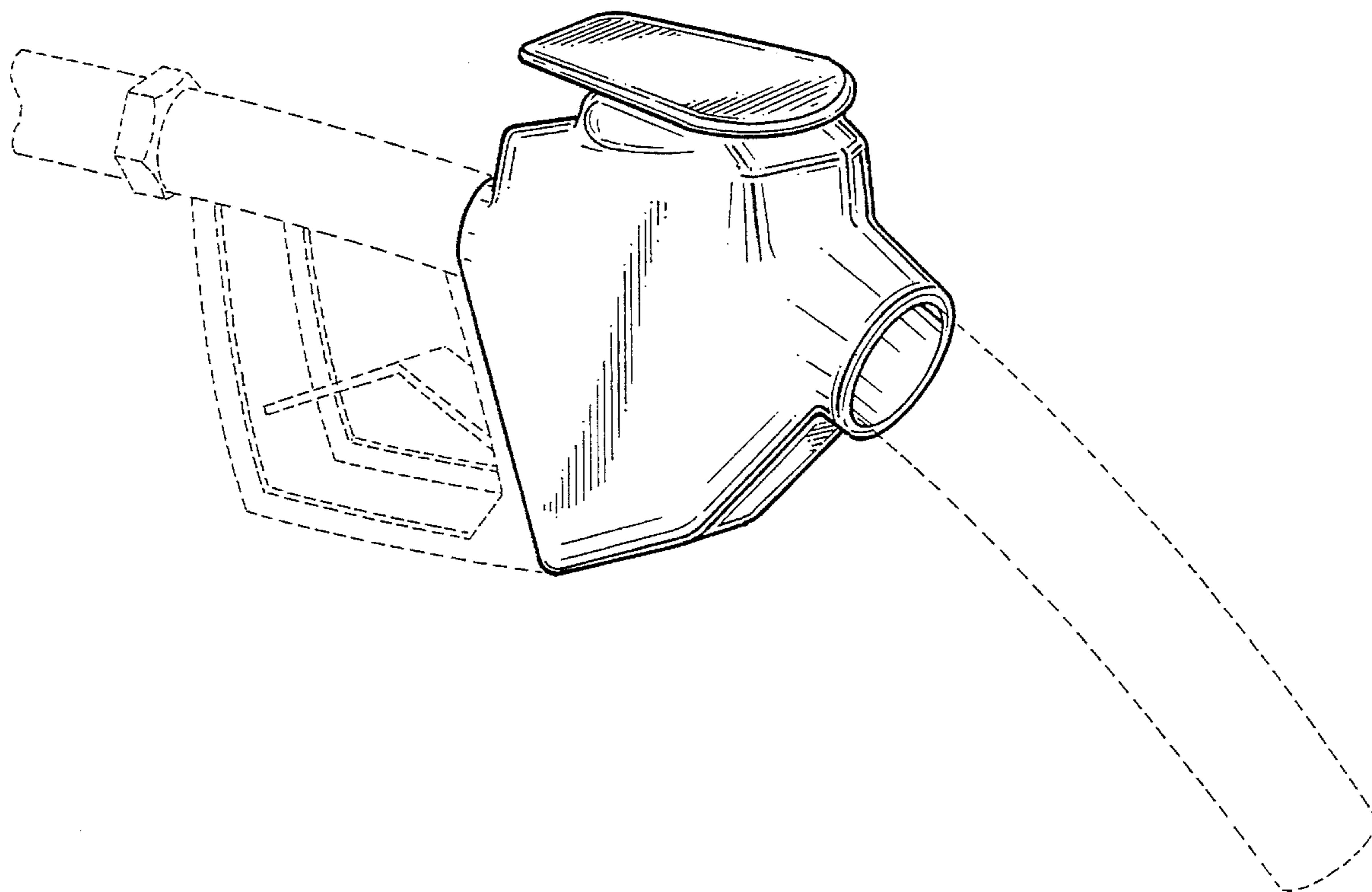
[56] **References Cited**

U.S. PATENT DOCUMENTS

D. 177,648	5/1956	Sinclair et al.	D23/227
2,800,931	7/1957	Sutcliffe	137/379
3,474,837	10/1969	Cauder	137/379
4,690,182	9/1987	Knaus	141/392
5,199,474	4/1993	D'Angelo	141/392

FIG. 2 is an enlarged left side view thereof;
FIG. 3 is a top view thereof;
FIG. 4 is a front view thereof;
FIG. 5 is a rear view thereof; and,
FIG. 6 is a bottom view thereof.

1 Claim, 4 Drawing Sheets



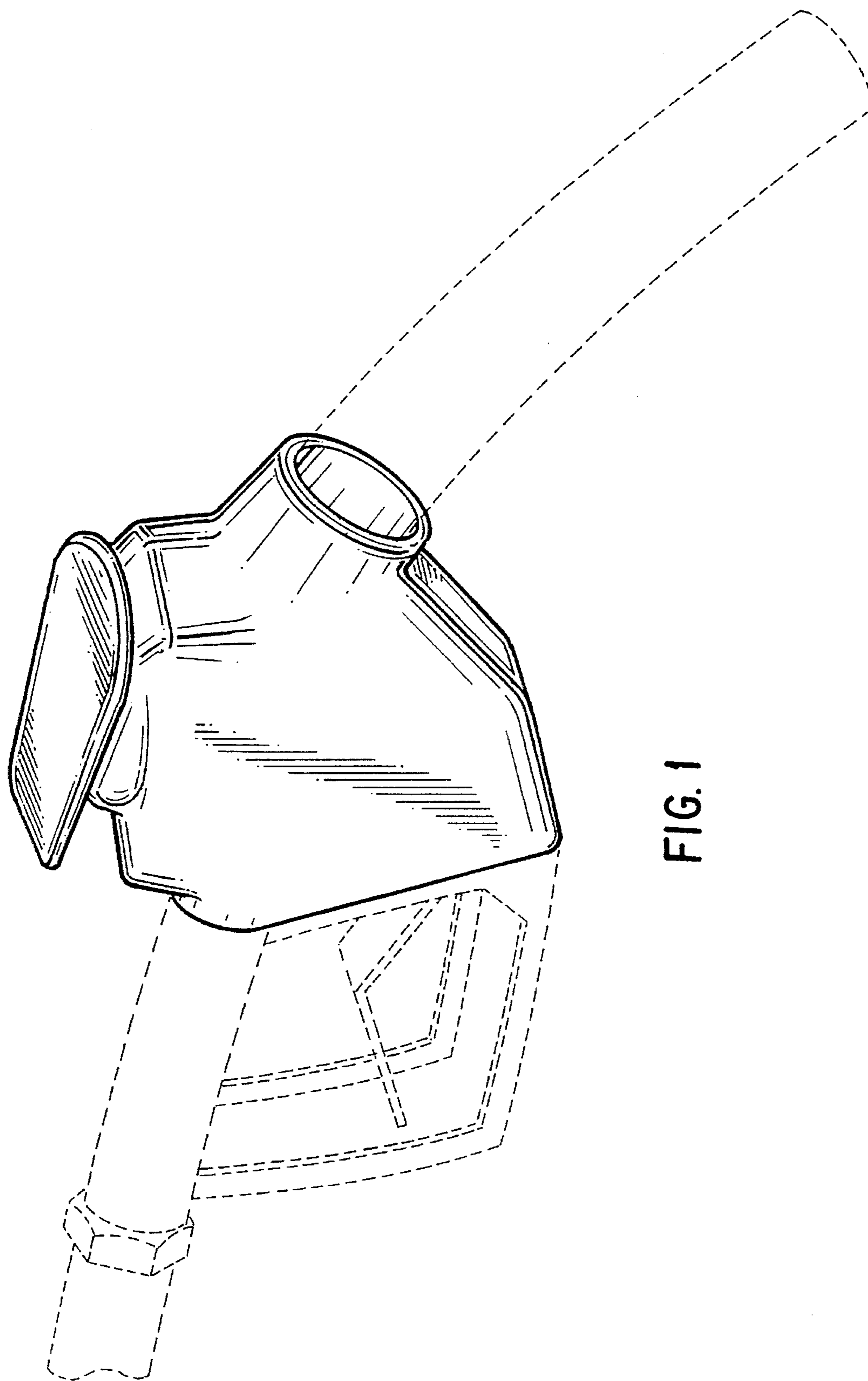
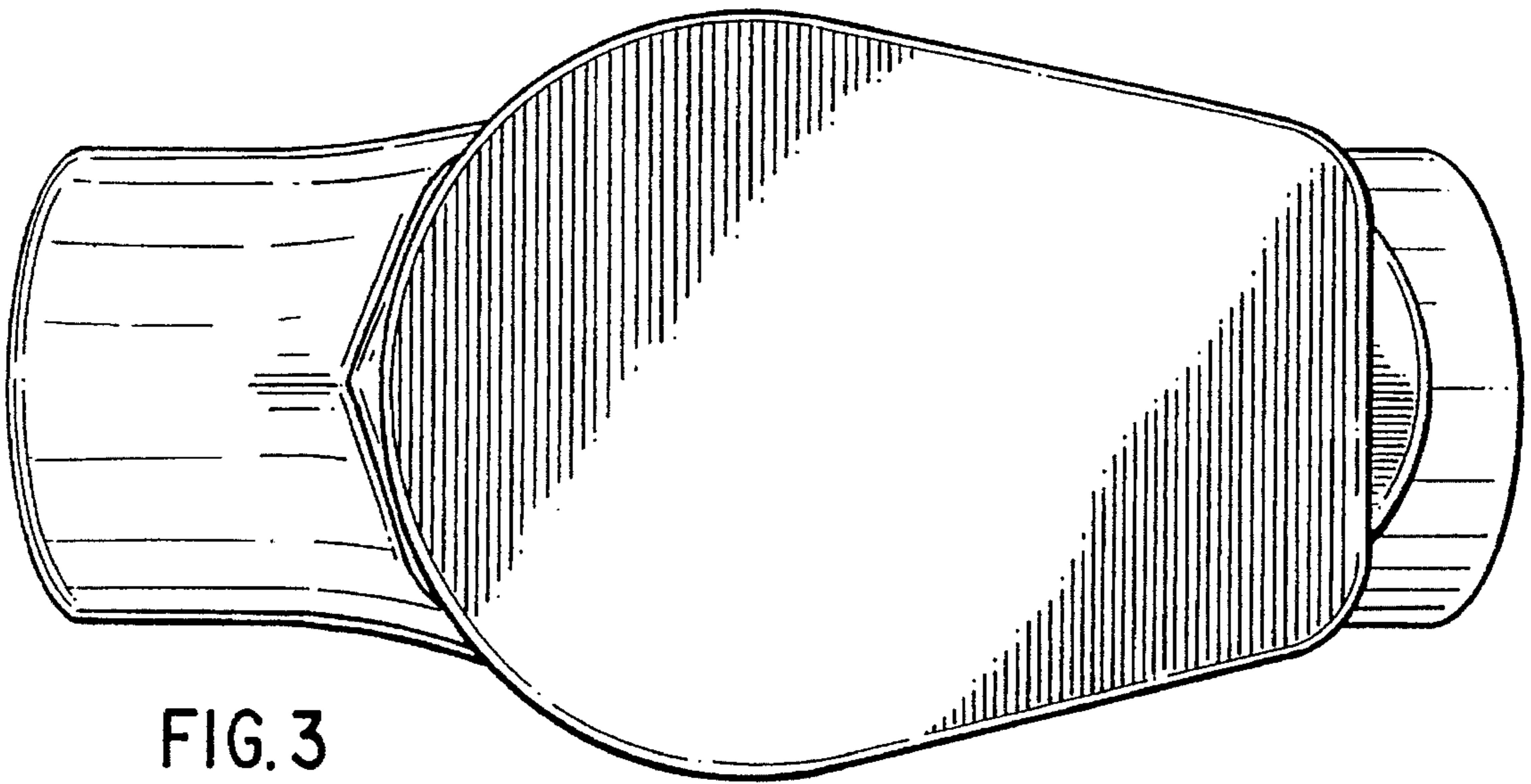
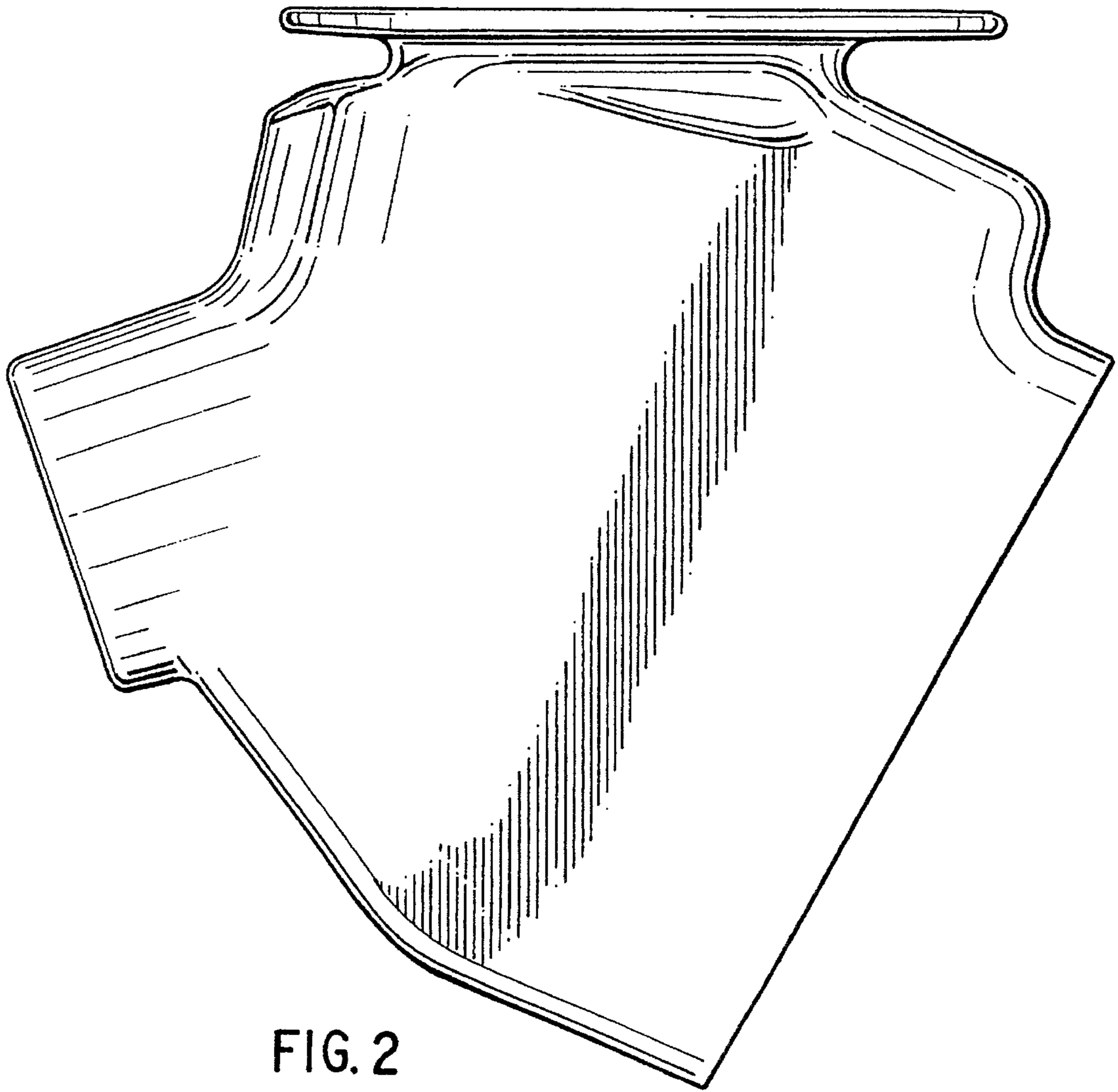


FIG. 1



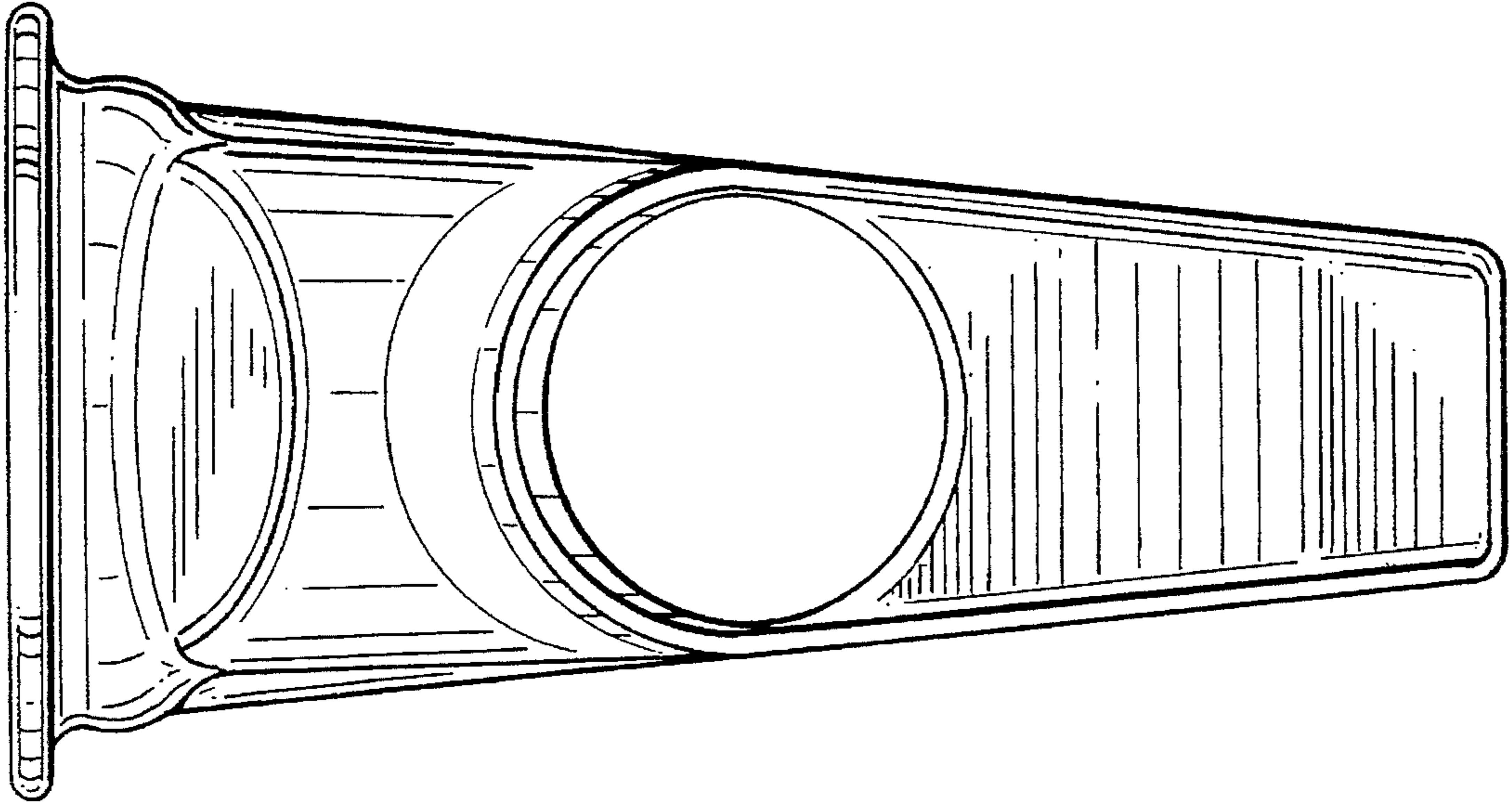


FIG. 5

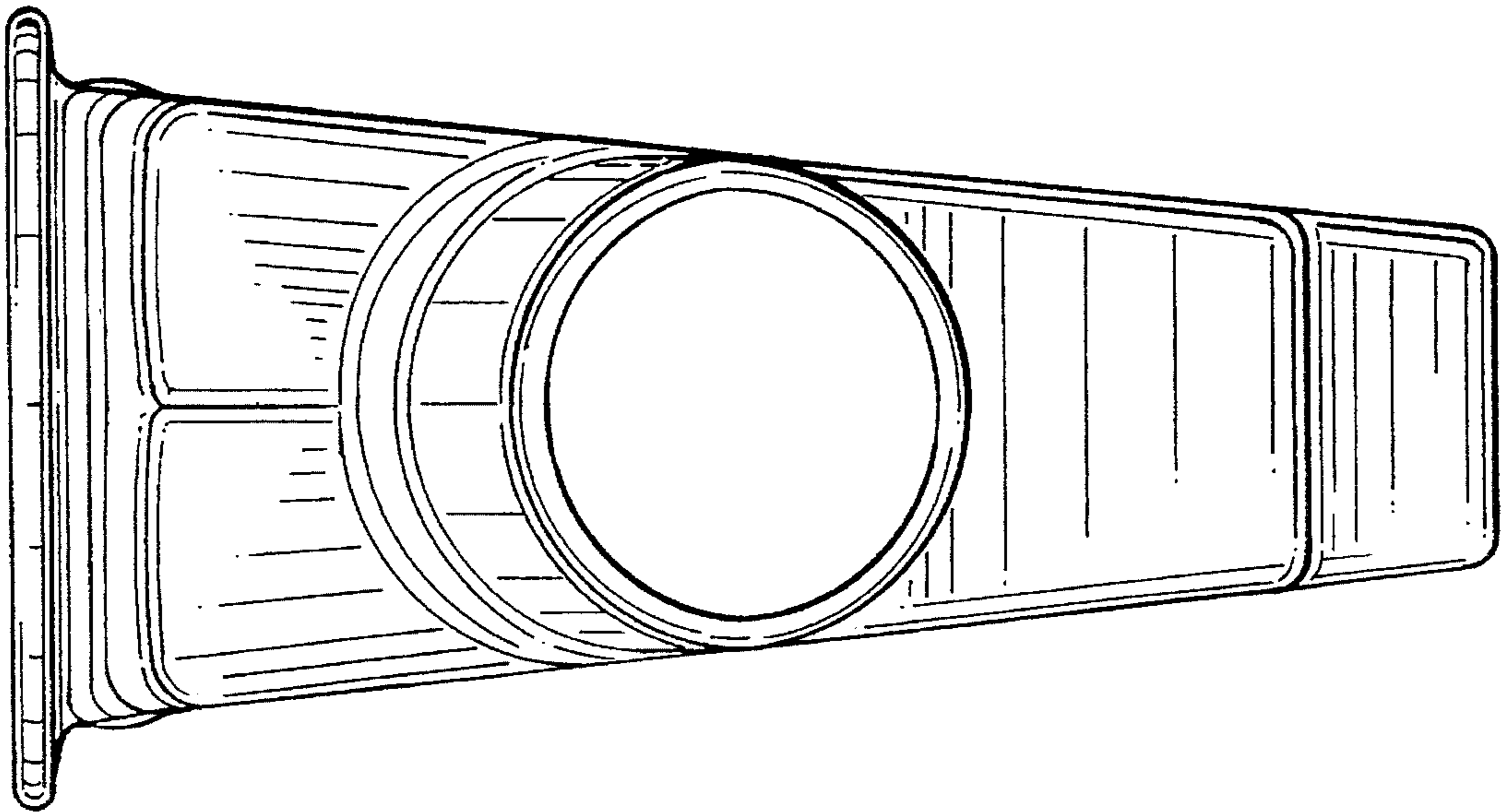


FIG. 4

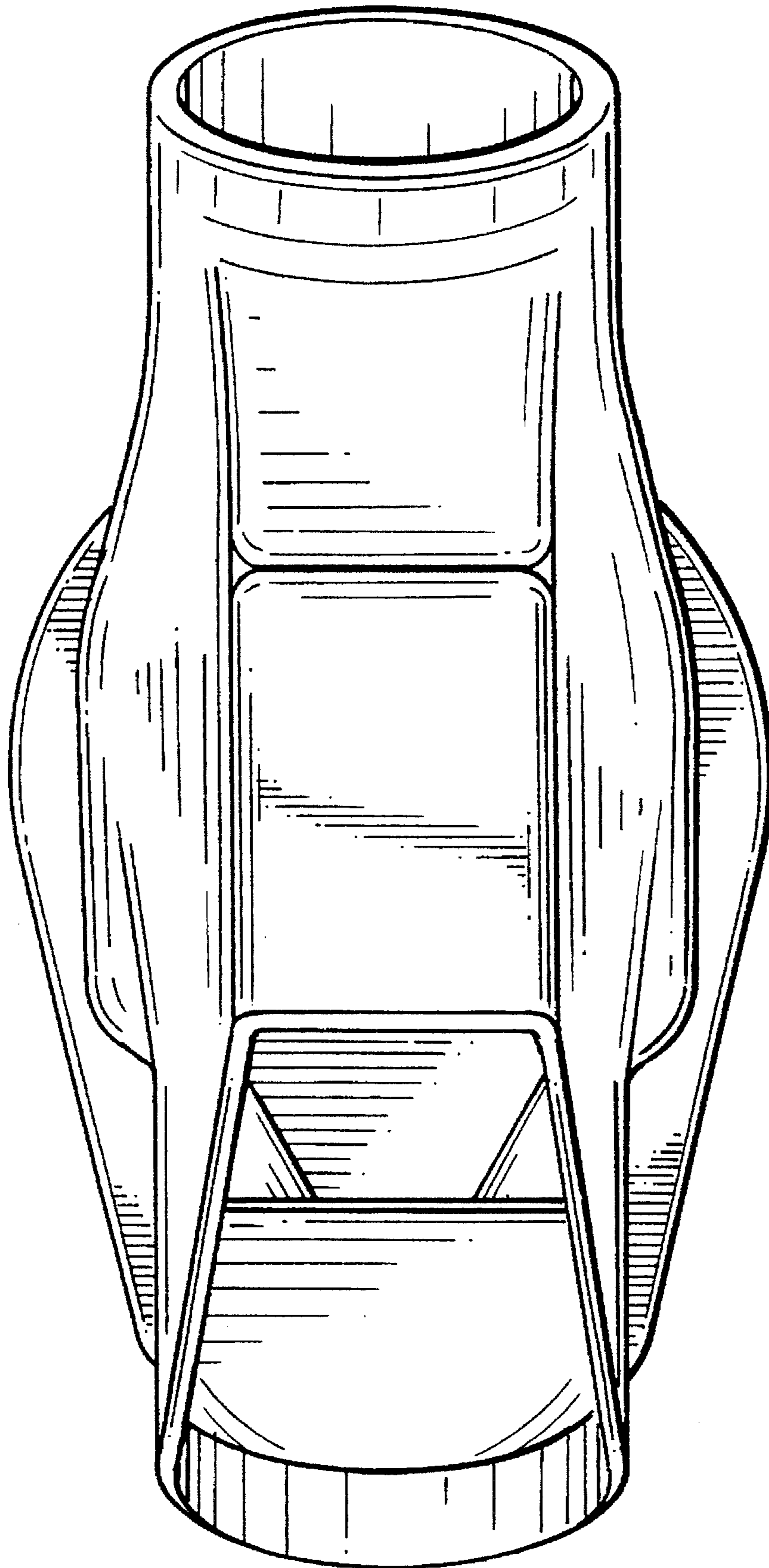


FIG. 6