



US00D366309S

United States Patent [19]
Huang

[11] **Patent Number: Des. 366,309**
[45] **Date of Patent: **Jan. 16, 1996**

[54] **SHOWER HEAD**

D. 349,557 9/1994 Huen D23/223

[75] Inventor: **So-Mei Huang**, Taichung Hsien, Taiwan

Primary Examiner—A. Hugo Word
Assistant Examiner—Robin V. Taylor
Attorney, Agent, or Firm—Beveridge, DeGrandi, Weilacher & Young

[73] Assignee: **Chien Chuen Plastic Co., Ltd.**, Taichung Hsien, Taiwan

[**] Term: **14 Years**

[57] **CLAIM**

The ornamental design for a shower head, as shown and described.

[21] Appl. No.: **33,052**

[22] Filed: **Jan. 4, 1995**

[52] U.S. Cl. **D23/223**

[58] **Field of Search** D23/213, 223-229;
239/394, 282, 456-460, 390-391, 380-383,
414-415, 373

DESCRIPTION

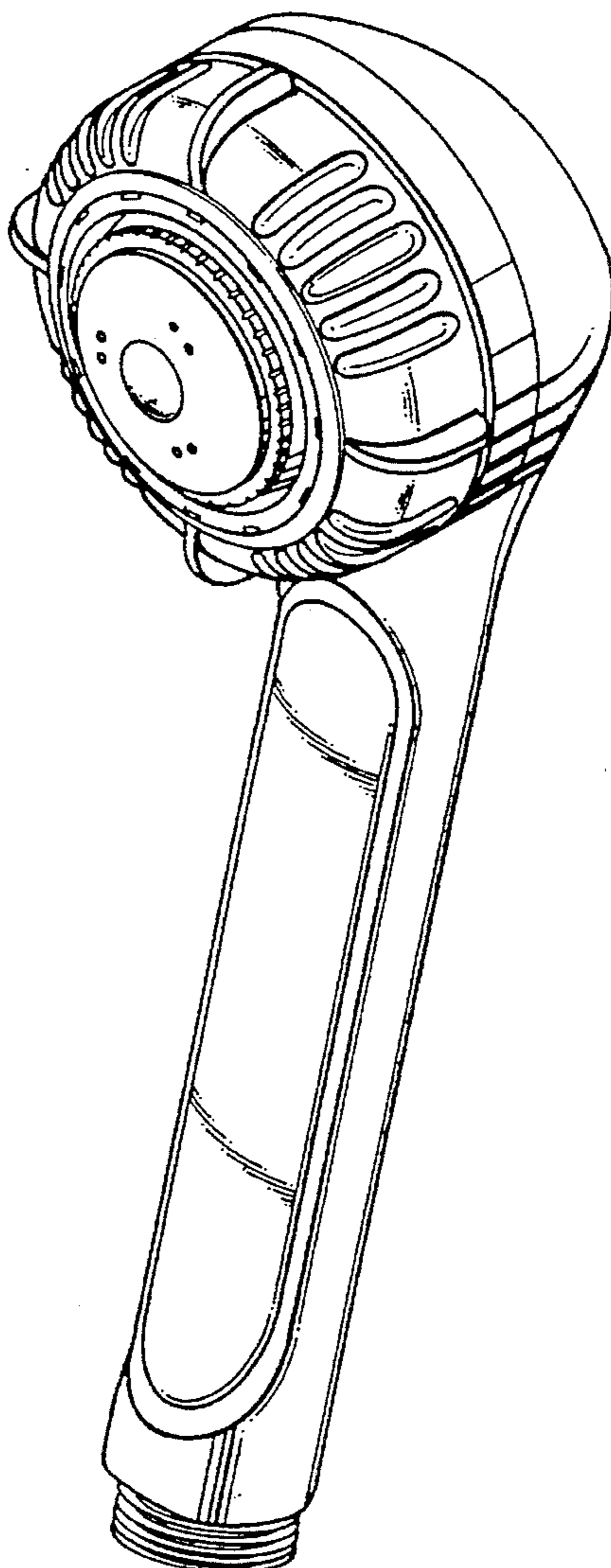
FIG. 1 is a front view of a shower head showing my new design;
FIG. 2 is a back view thereof;
FIG. 3 is a left side view thereof;
FIG. 4 is a right side view thereof;
FIG. 5 is a top side view thereof;
FIG. 6 is a bottom side view thereof; and,
FIG. 7 is a perspective view thereof.

[56] **References Cited**

U.S. PATENT DOCUMENTS

- D. 309,773 8/1990 Huen D23/223
- D. 320,064 9/1991 Presman D23/223
- D. 328,634 8/1992 Ward D23/223

1 Claim, 3 Drawing Sheets



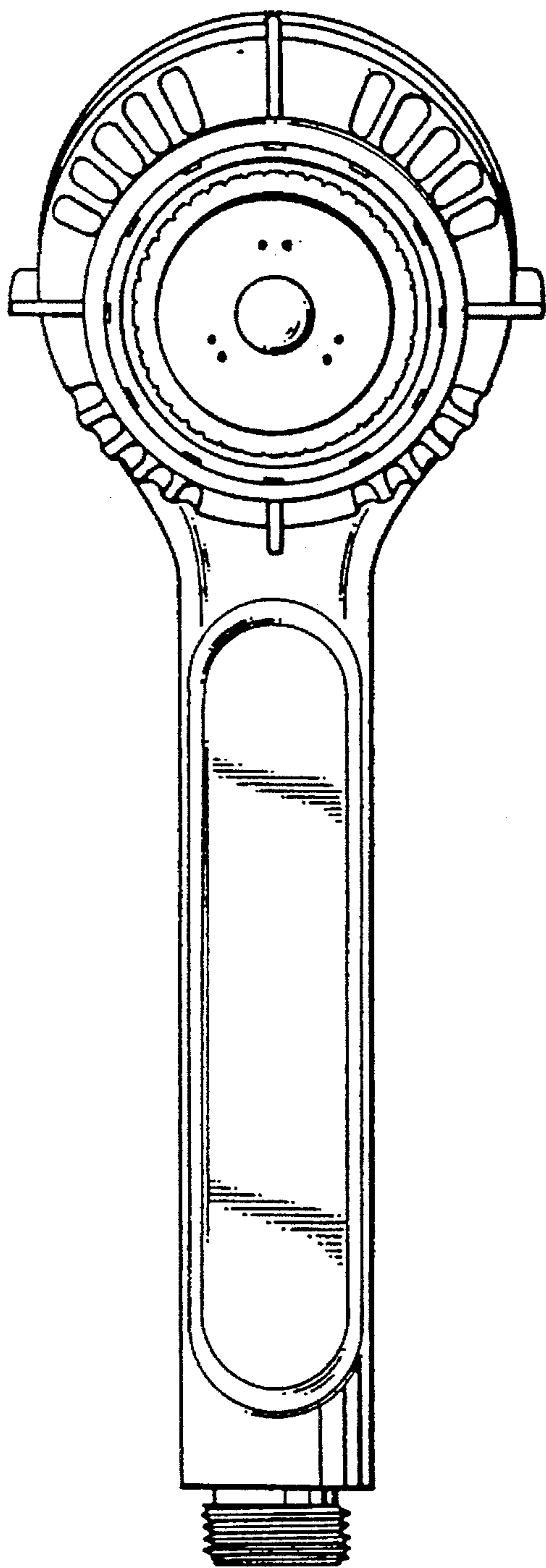


Fig. 1

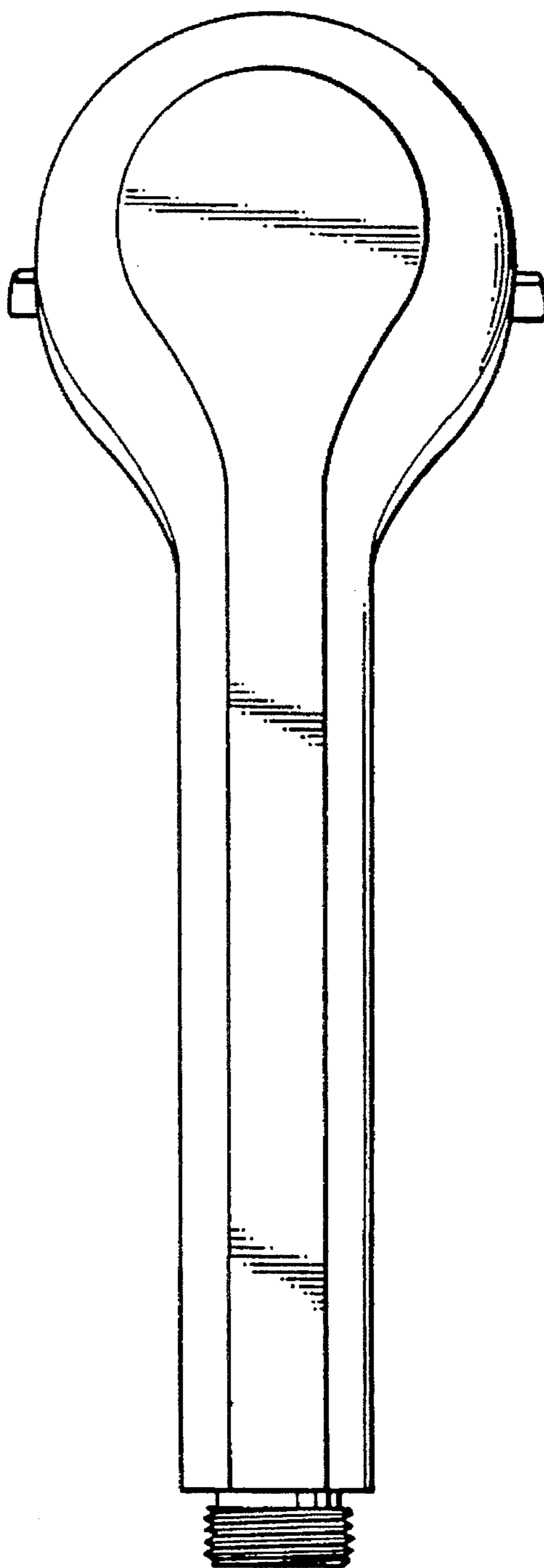


Fig. 2

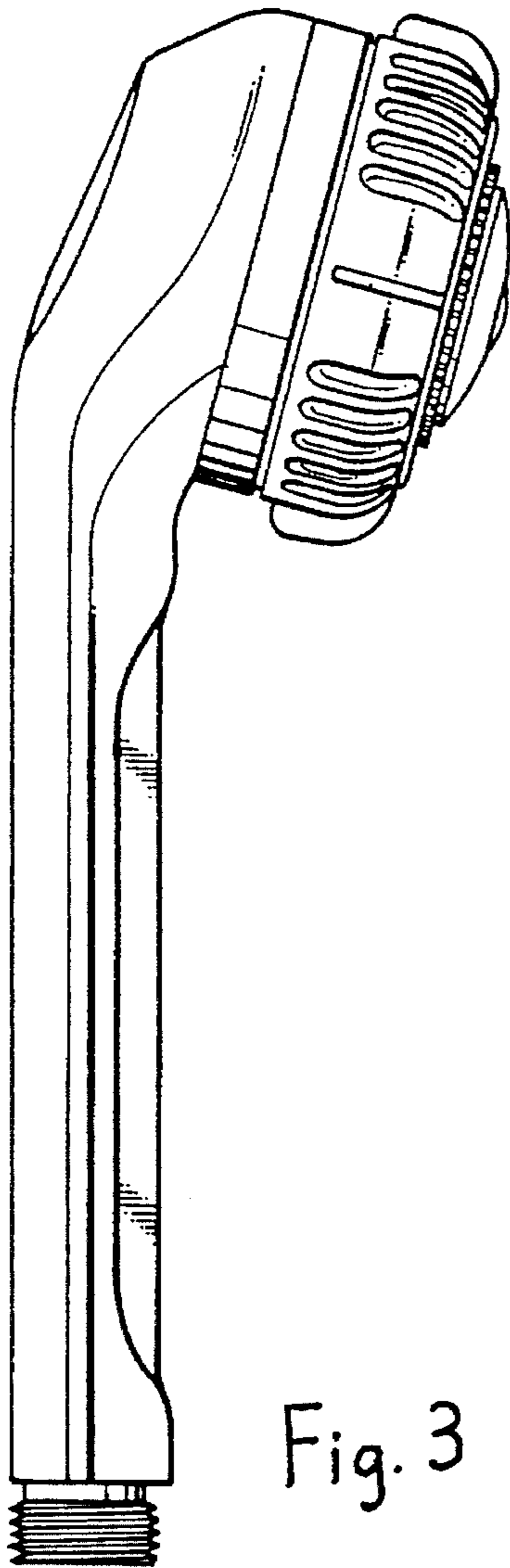


Fig. 3

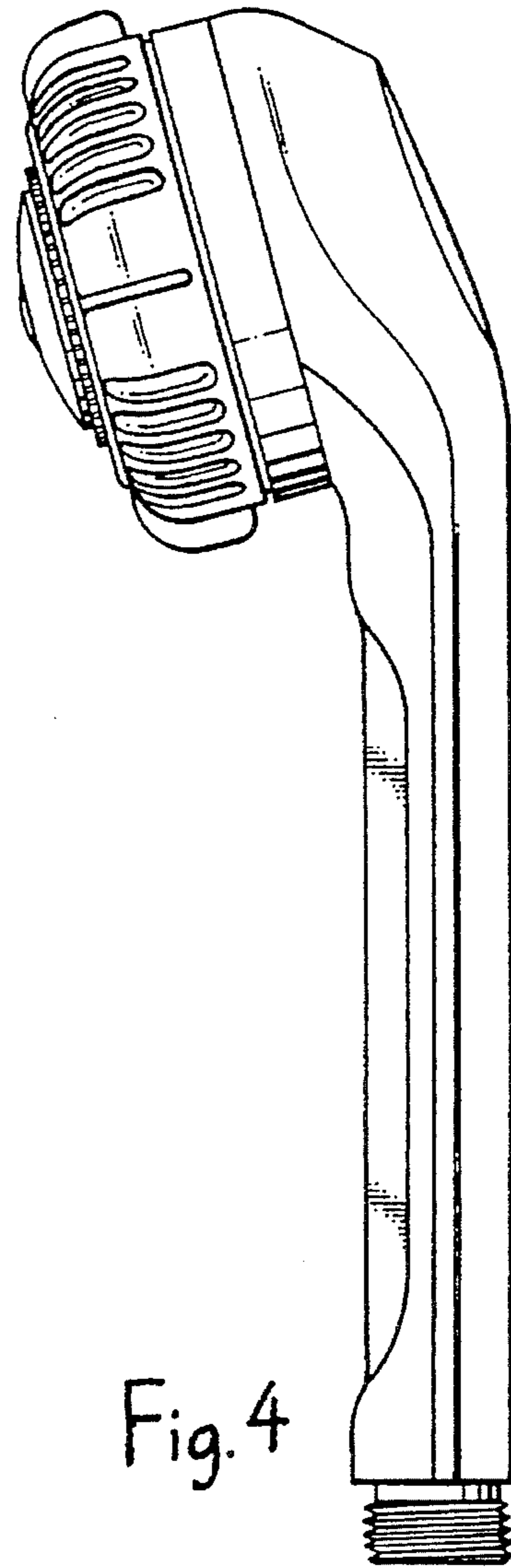


Fig. 4

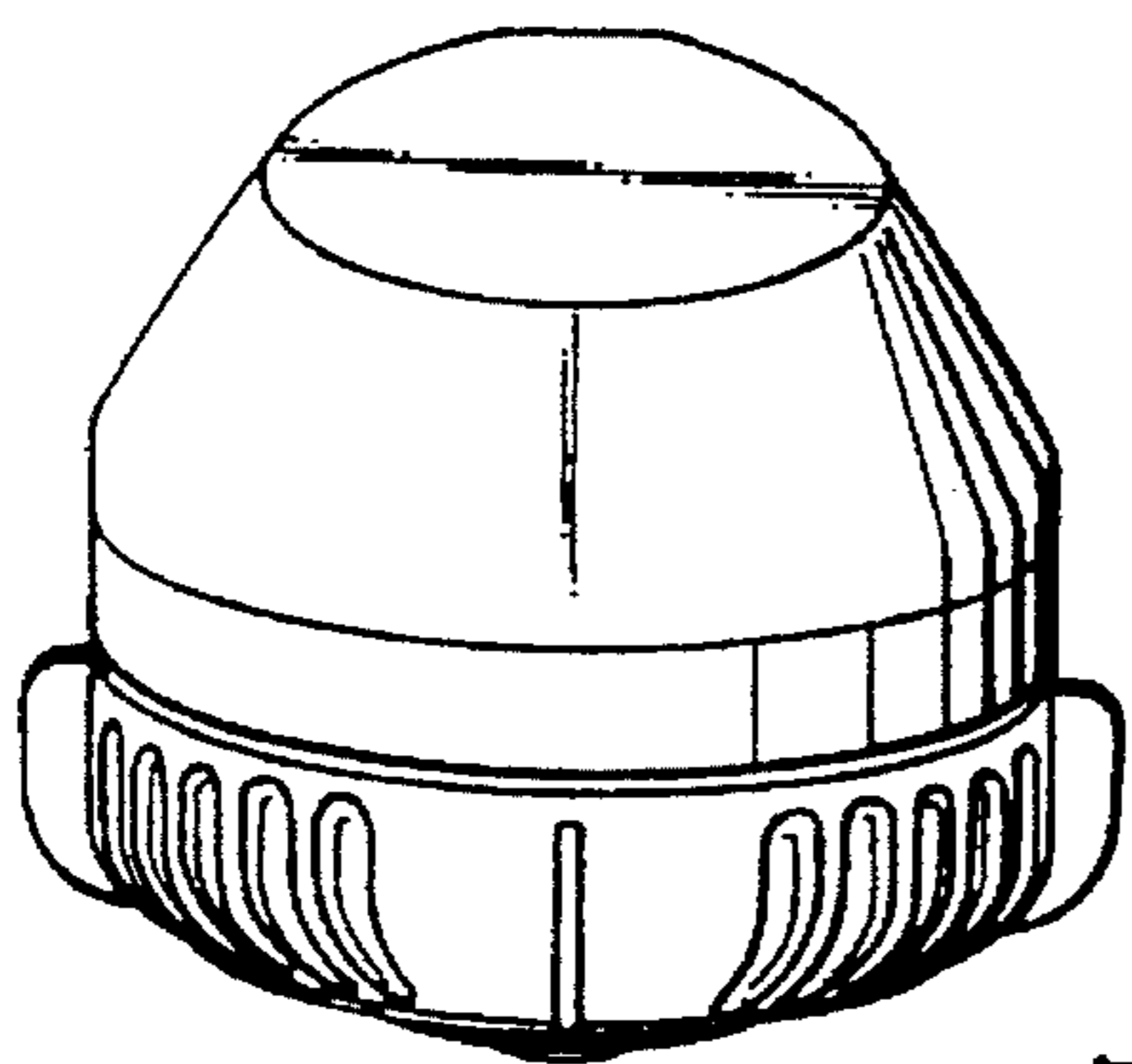


Fig. 5

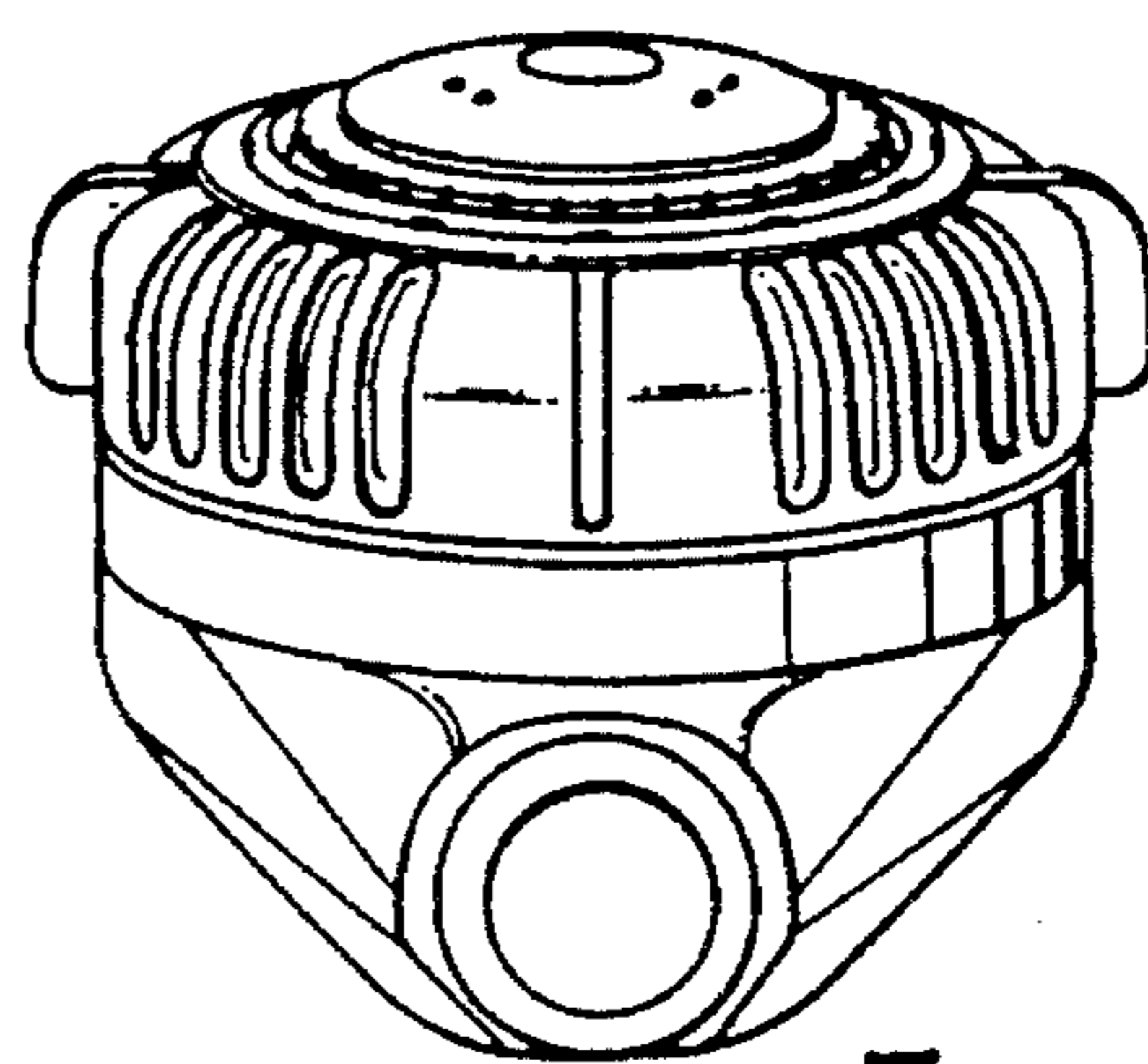


Fig. 6

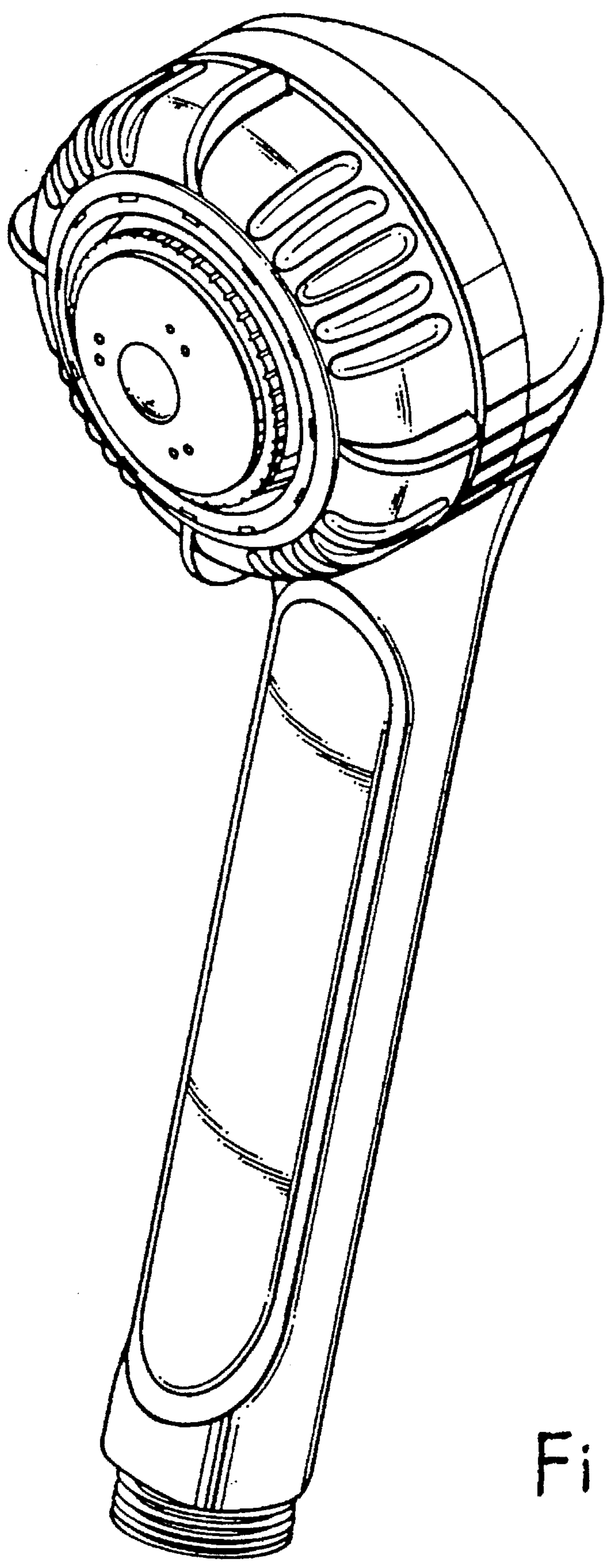


Fig. 7