



US00D366300S

**United States Patent** [19]  
**Veliucci**

[11] **Patent Number: Des. 366,300**

[45] **Date of Patent: \*\*Jan. 16, 1996**

[54] **WRIST EXERCISER**

5,364,323 11/1994 Liu ..... 482/124

[76] Inventor: **Joseph Veliucci**, 5643 Doores Dr.,  
Holiday, Fla. 34690

*Primary Examiner*—Ted Shooman  
*Assistant Examiner*—Philip Hyder  
*Attorney, Agent, or Firm*—David L. Baker; Rhodes &  
Ascolillo

[\*\*] Term: **14 Years**

[21] Appl. No.: **26,021**

[57] **CLAIM**

[22] Filed: **Jul. 15, 1994**

The ornamental design for a wrist exerciser, as shown and  
described.

[52] U.S. Cl. .... **D21/198**

[58] Field of Search ..... D21/191, 198;  
482/45, 46, 124, 122, 126, 127, 128

**DESCRIPTION**

[56] **References Cited**

**U.S. PATENT DOCUMENTS**

2,205,161	6/1940	Vick .....	D21/198
3,746,336	7/1973	Tanimoto .....	482/46
4,039,183	8/1977	Sakurada .....	482/46
4,310,154	1/1982	Kauffman .....	482/46
4,589,655	5/1986	Ammon .....	272/67
4,836,531	6/1989	Niks .....	482/129
5,100,126	3/1992	Liou .....	482/46
5,271,617	12/1993	Gilford .....	482/45

FIG. 1 is a left side elevational view;  
FIG. 2 is a right side elevational view;  
FIG. 3 is a top plan view;  
FIG. 4 is a bottom plan view;  
FIG. 5 is a rear elevational view;  
FIG. 6 is a front elevational view;  
FIG. 7 is a left side elevational view, wherein the broken line  
showing of the hand is for illustrative purposes only and  
forms no part of the claimed design.

**1 Claim, 3 Drawing Sheets**

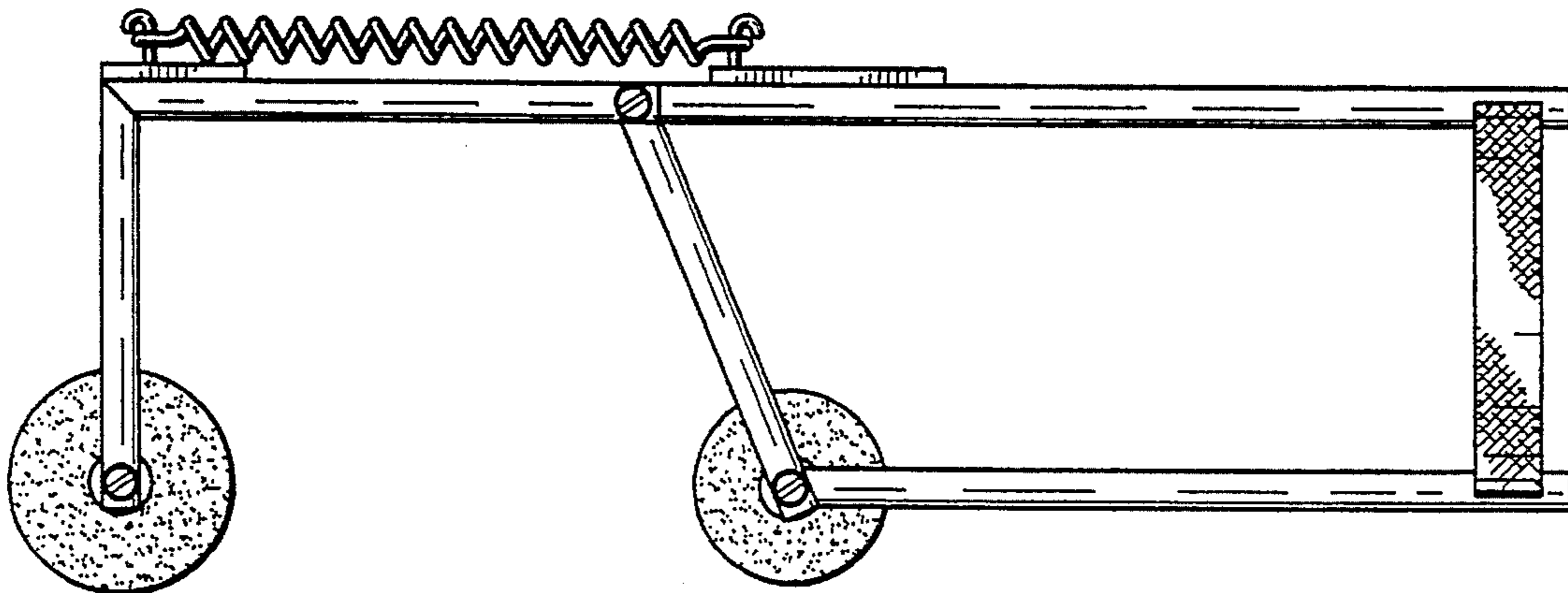


FIG. 1

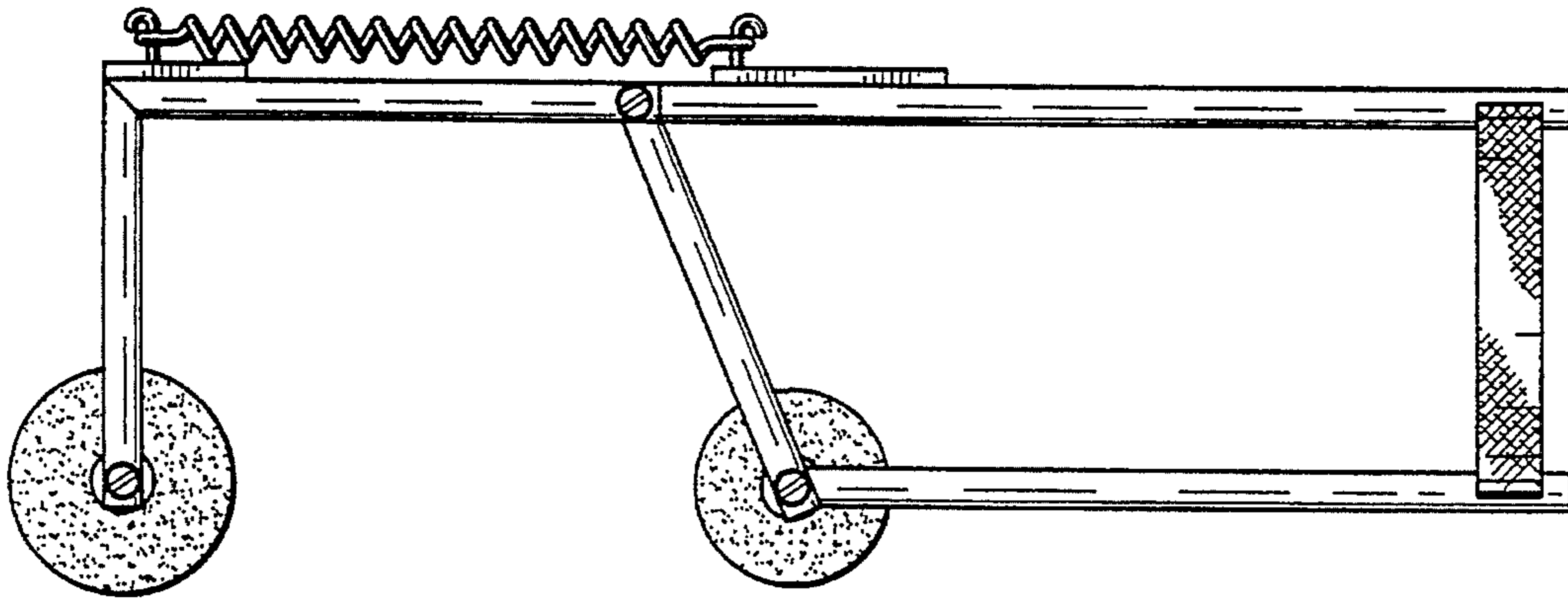


FIG. 2

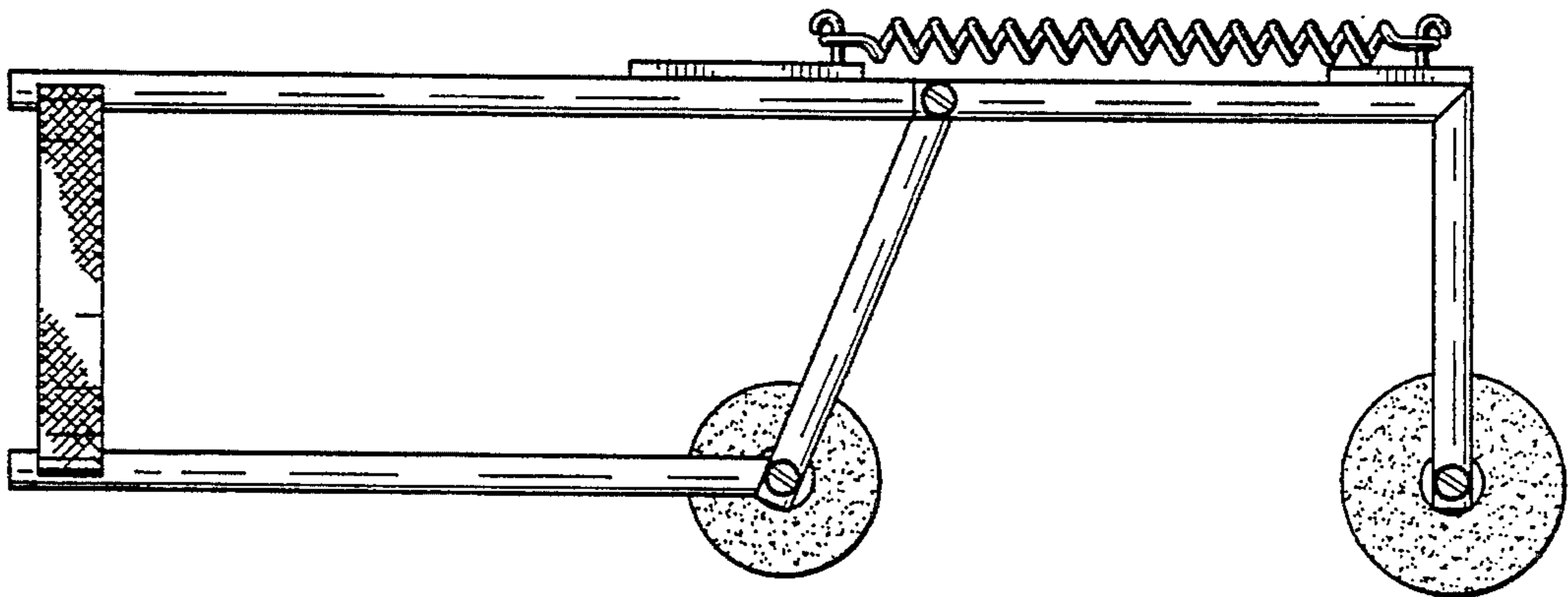


FIG. 3

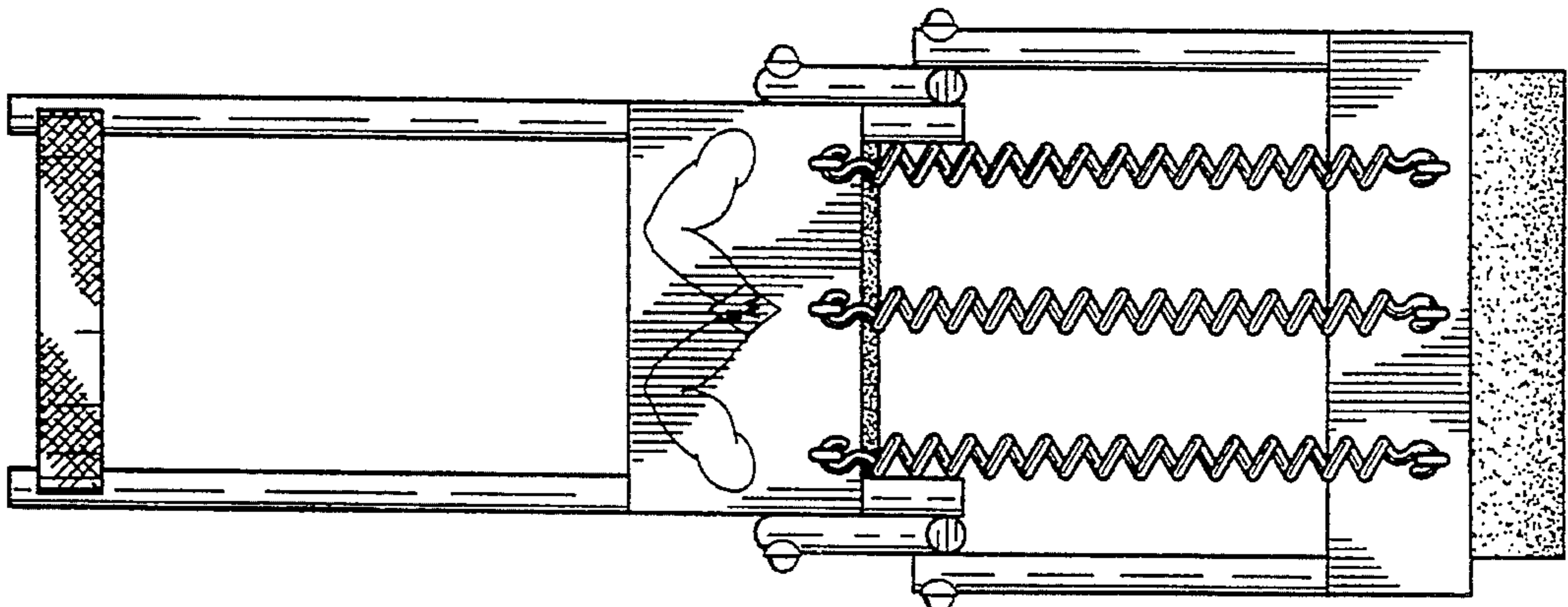


FIG. 4

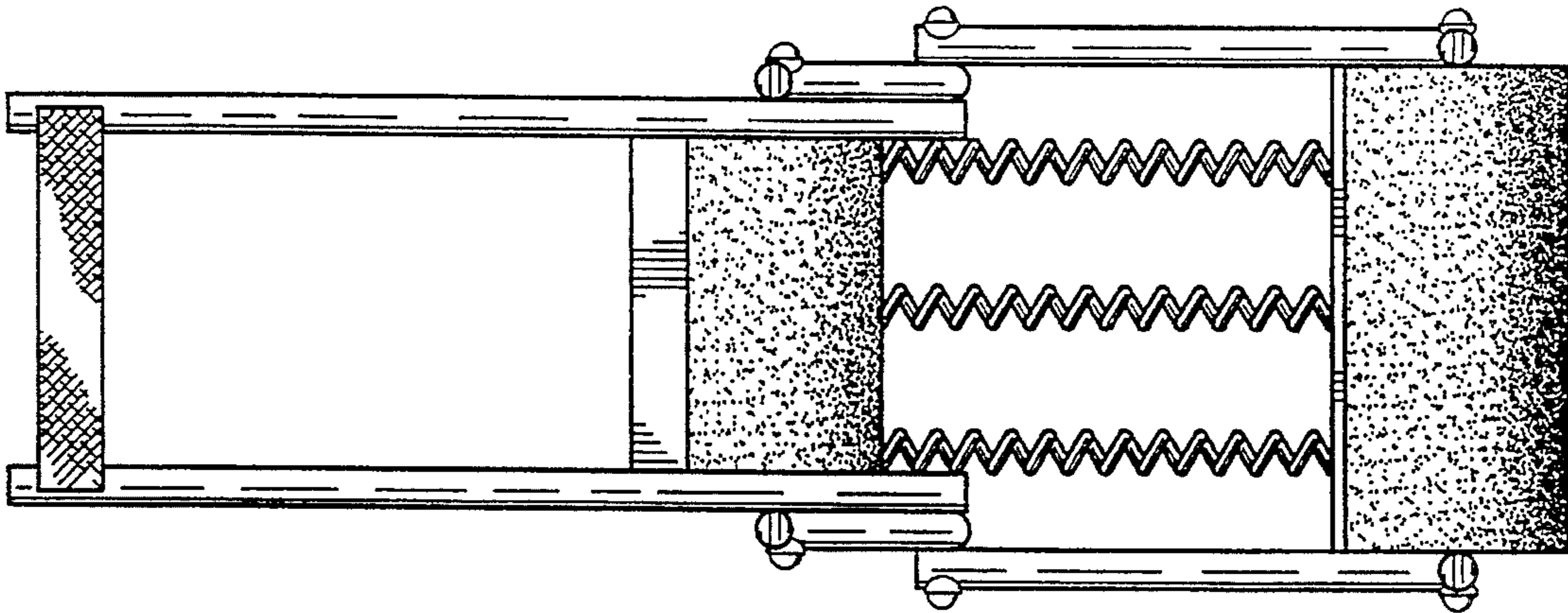


FIG. 5

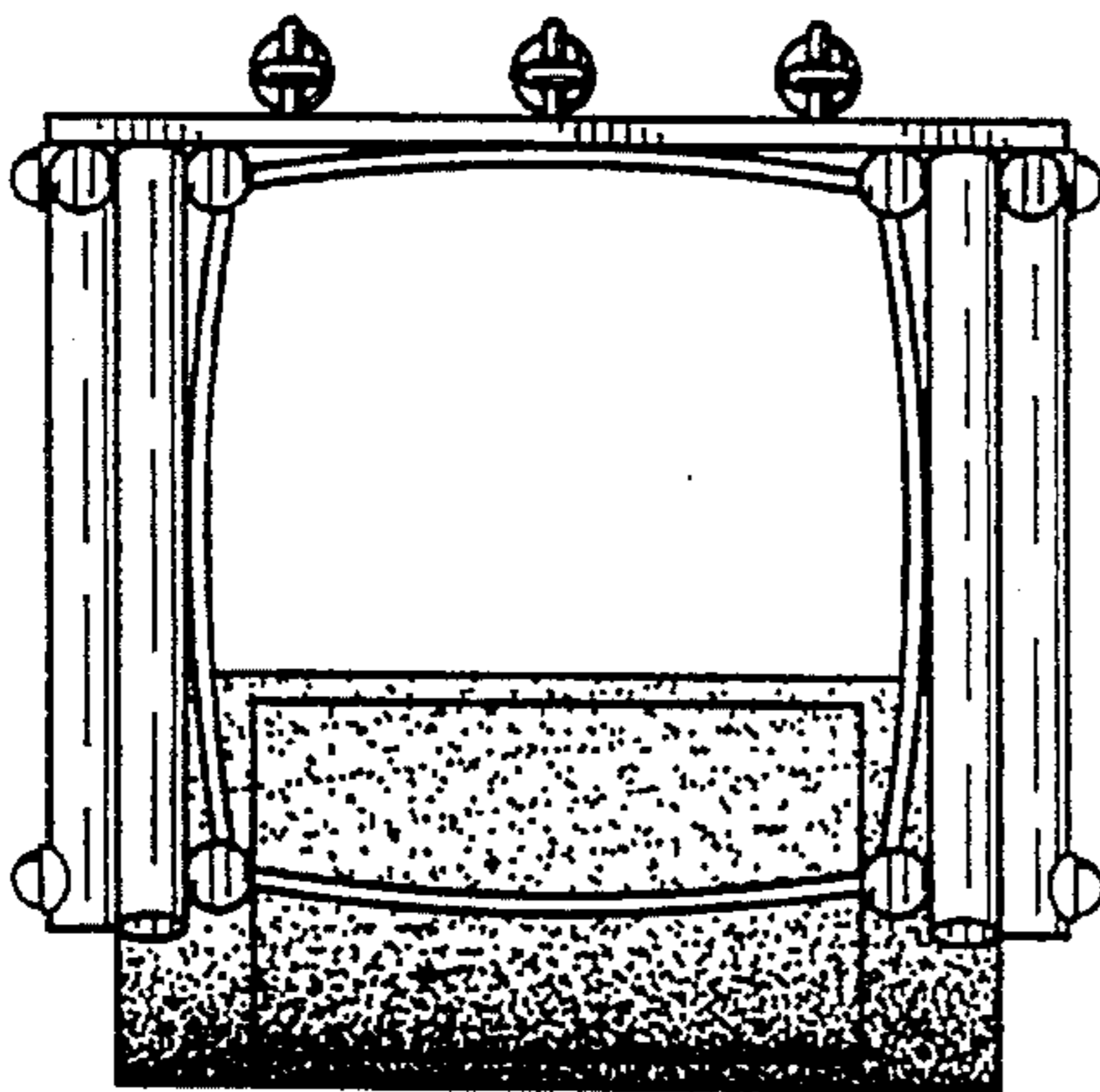


FIG. 6

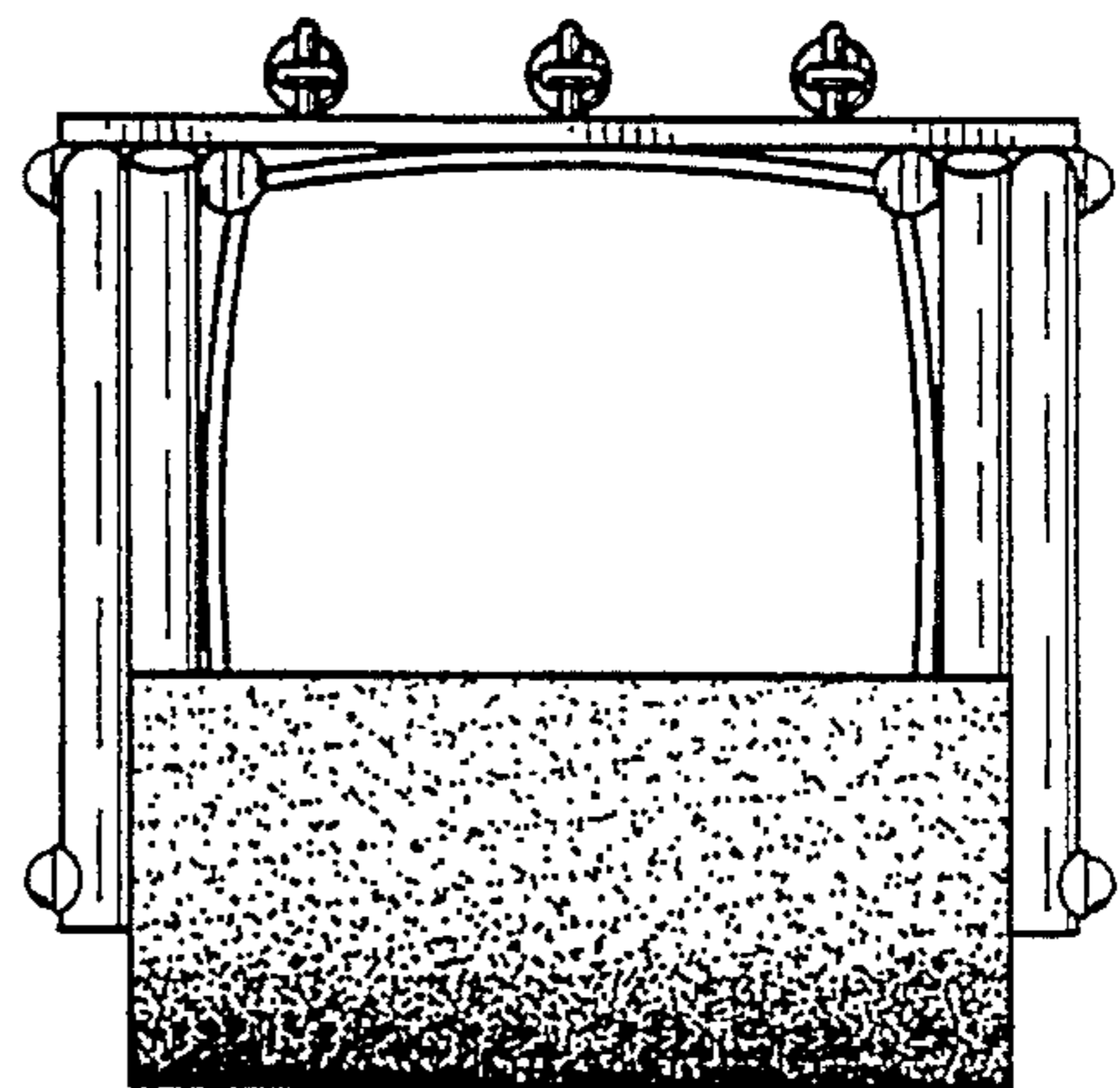




FIG. 7

