



US00D366299S

United States Patent [19] Hung

[11] Patent Number: Des. 366,299

[45] Date of Patent: **Jan. 16, 1996

[54] MULTI-PURPOSE PHYSICAL EXERCISER

4,792,135 12/1988 Chin-Sen 482/138
5,324,246 6/1994 Wang 482/138

[76] Inventor: Michael Hung, 9-16 Nan Kan Hsia,
Nan Kan, Lu Chu Hsiang, Tao Yuan
County, Taiwan

Primary Examiner—Ted Shooman
Assistant Examiner—Philip Hyder
Attorney, Agent, or Firm—Wenderoth, Lind & Ponack

[**] Term: 14 Years

[57] CLAIM

[21] Appl. No.: 25,503

The ornamental design for a multi-purpose physical exerciser, as shown and described.

[22] Filed: Jul. 5, 1994

[52] U.S. Cl. D21/195

[58] Field of Search D21/191, 195,
D21/194; 482/52, 51, 92, 93, 123, 138,
129, 133

DESCRIPTION

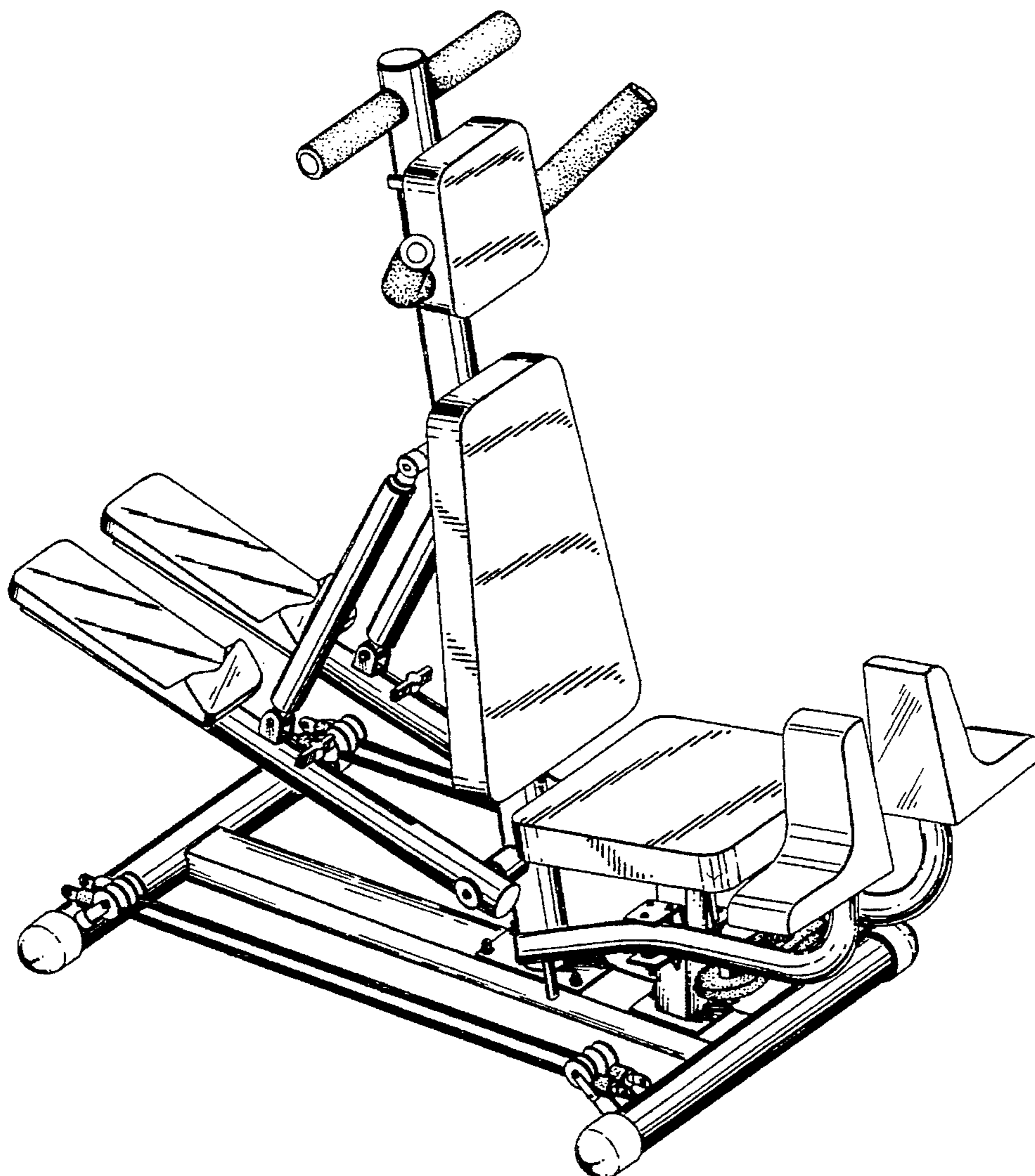
FIG. 1 is a top, left front perspective view of a multi-purpose physical exerciser showing my new design; FIG. 2 is a front elevational view thereof; FIG. 3 is a rear elevational view thereof; FIG. 4 is a top plan view thereof; FIG. 5 is a bottom plan view thereof; FIG. 6 is a left side elevational view thereof; and, FIG. 7 is a right side elevational view thereof.

[56] References Cited

U.S. PATENT DOCUMENTS

D. 319,275	8/1991	Hurt	D21/195
D. 329,478	9/1992	Wang	D21/195
D. 337,800	7/1993	Shieh	D21/195
D. 352,536	11/1994	Byrd et al.	D21/195

1 Claim, 7 Drawing Sheets



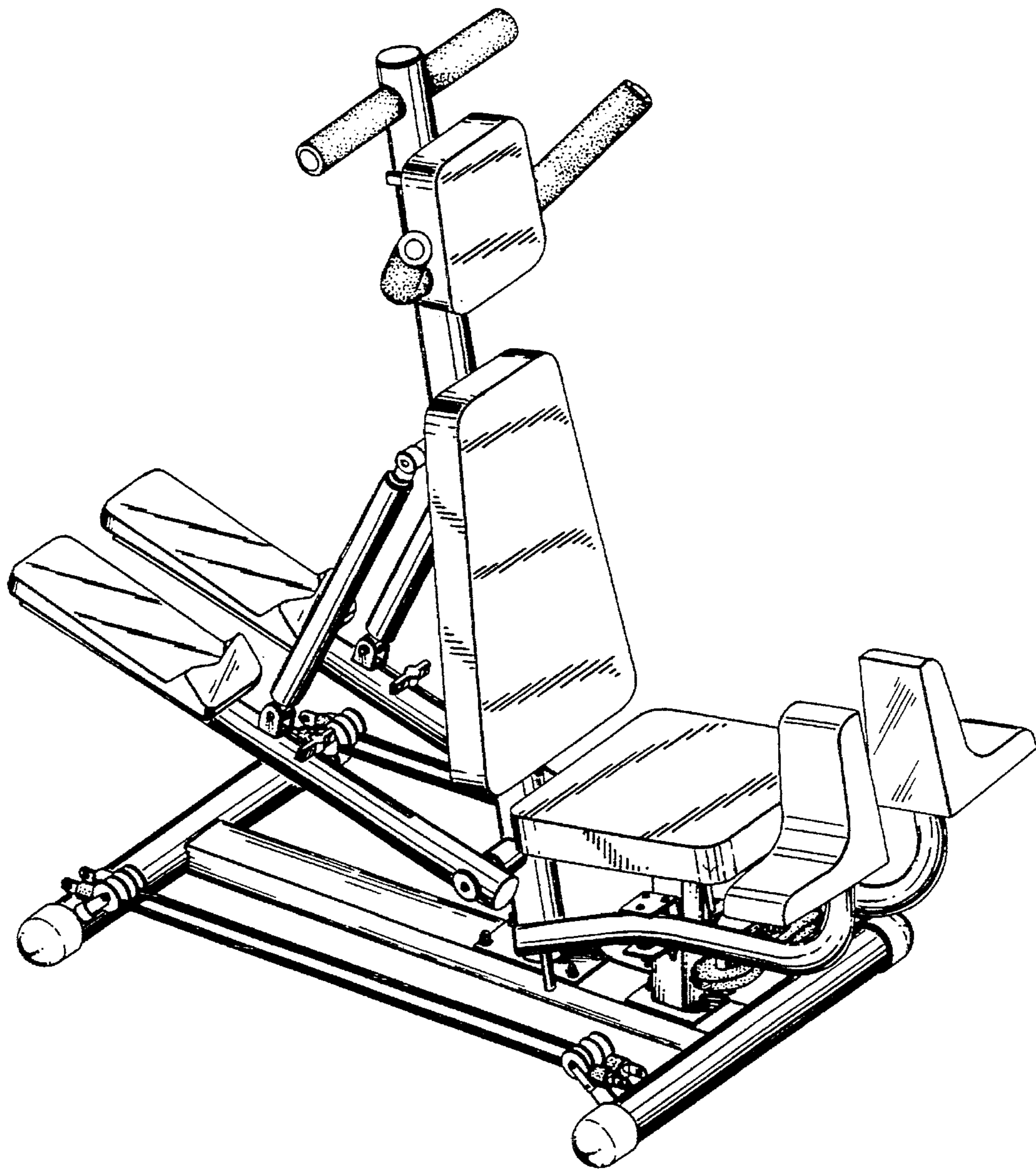


FIG. 1

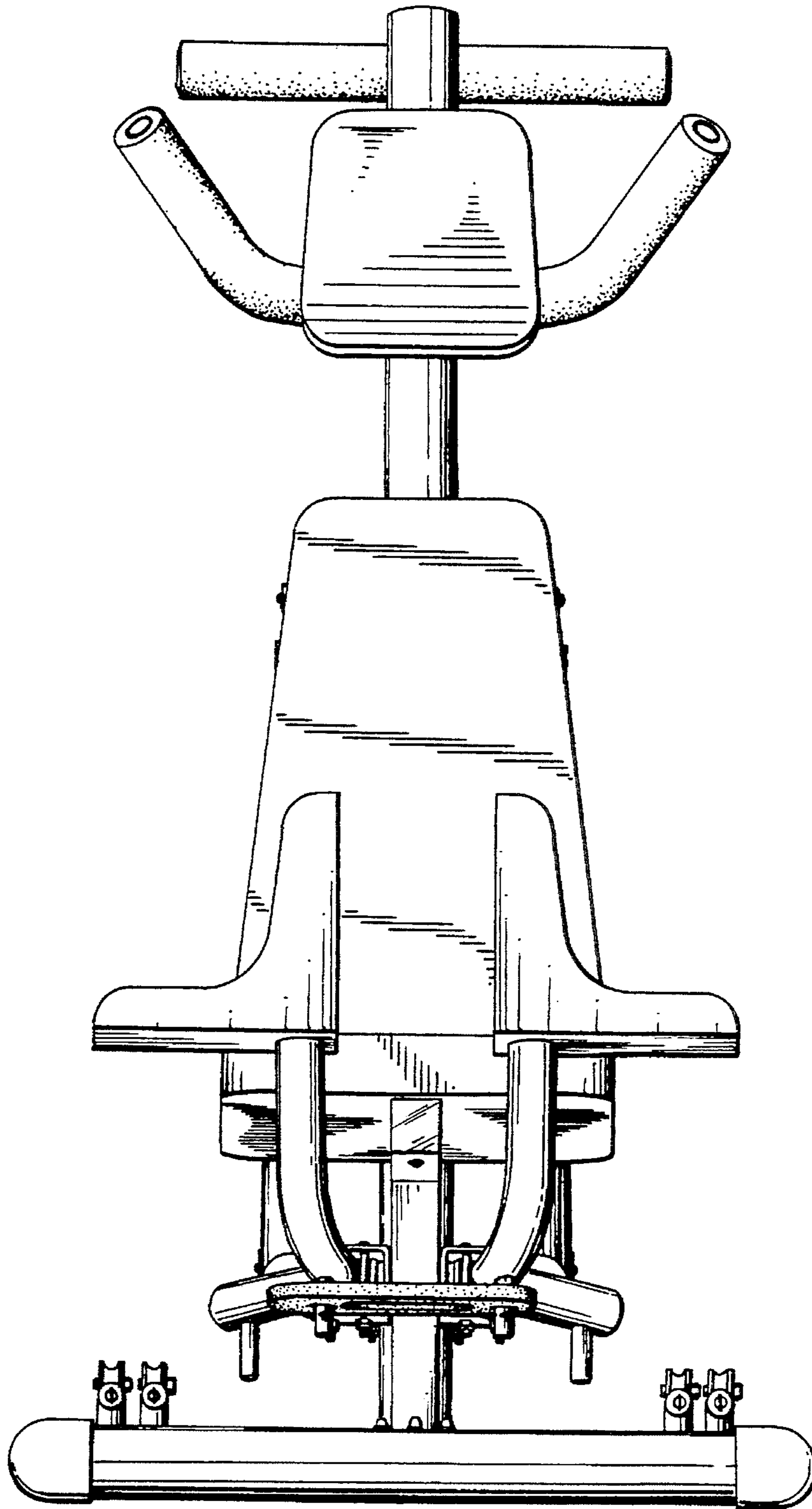


FIG. 2

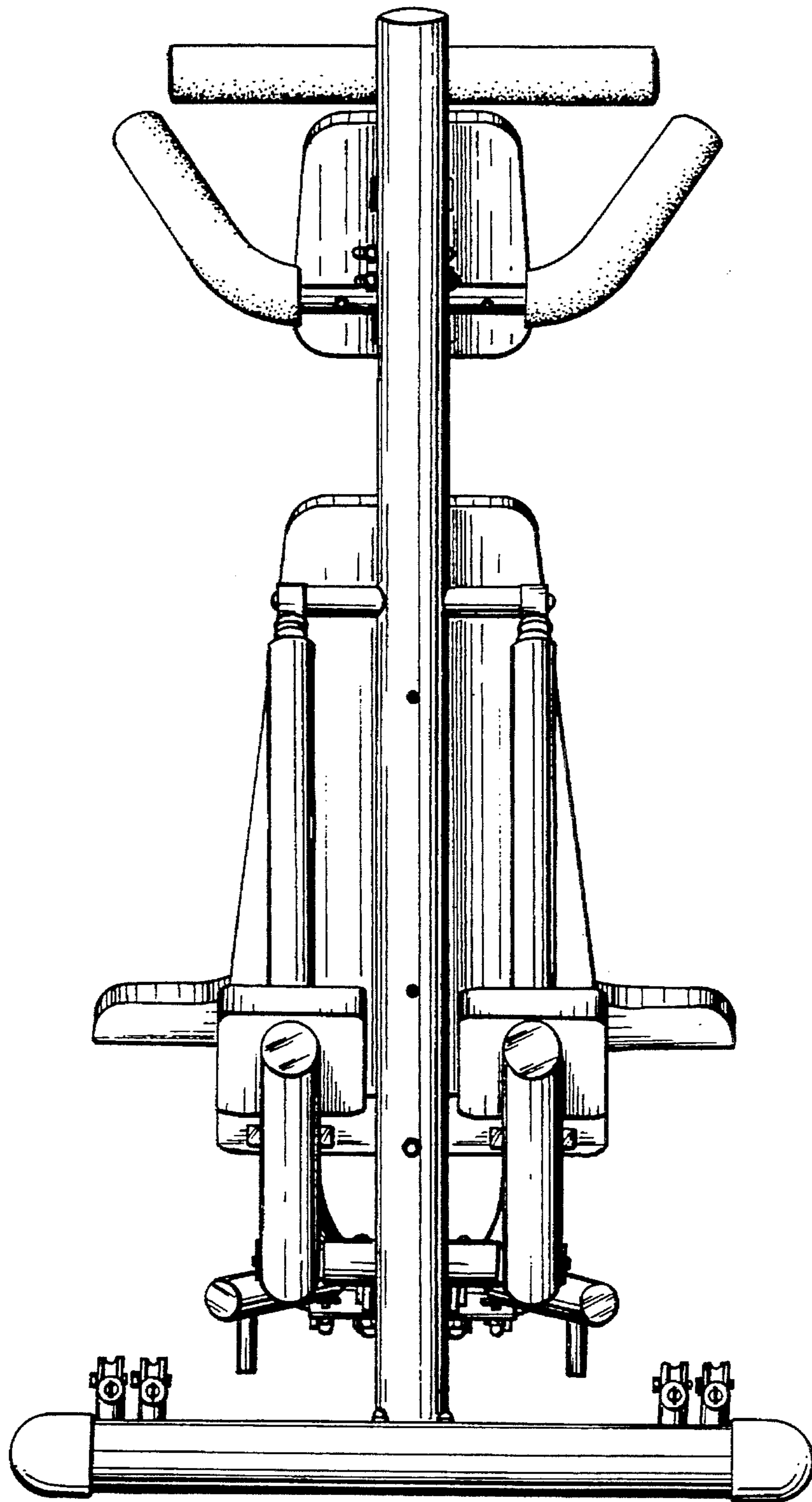


FIG. 3

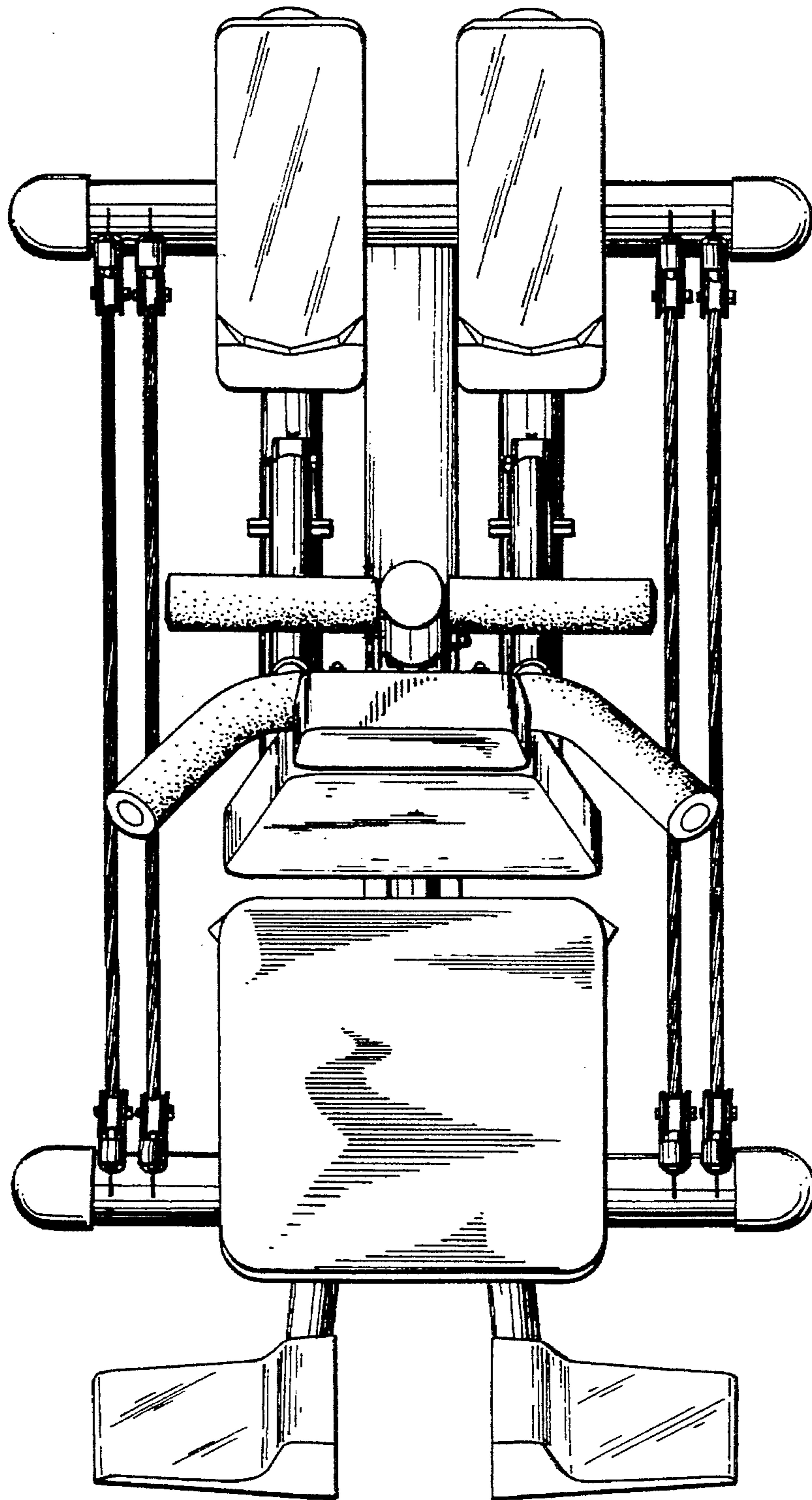


FIG. 4

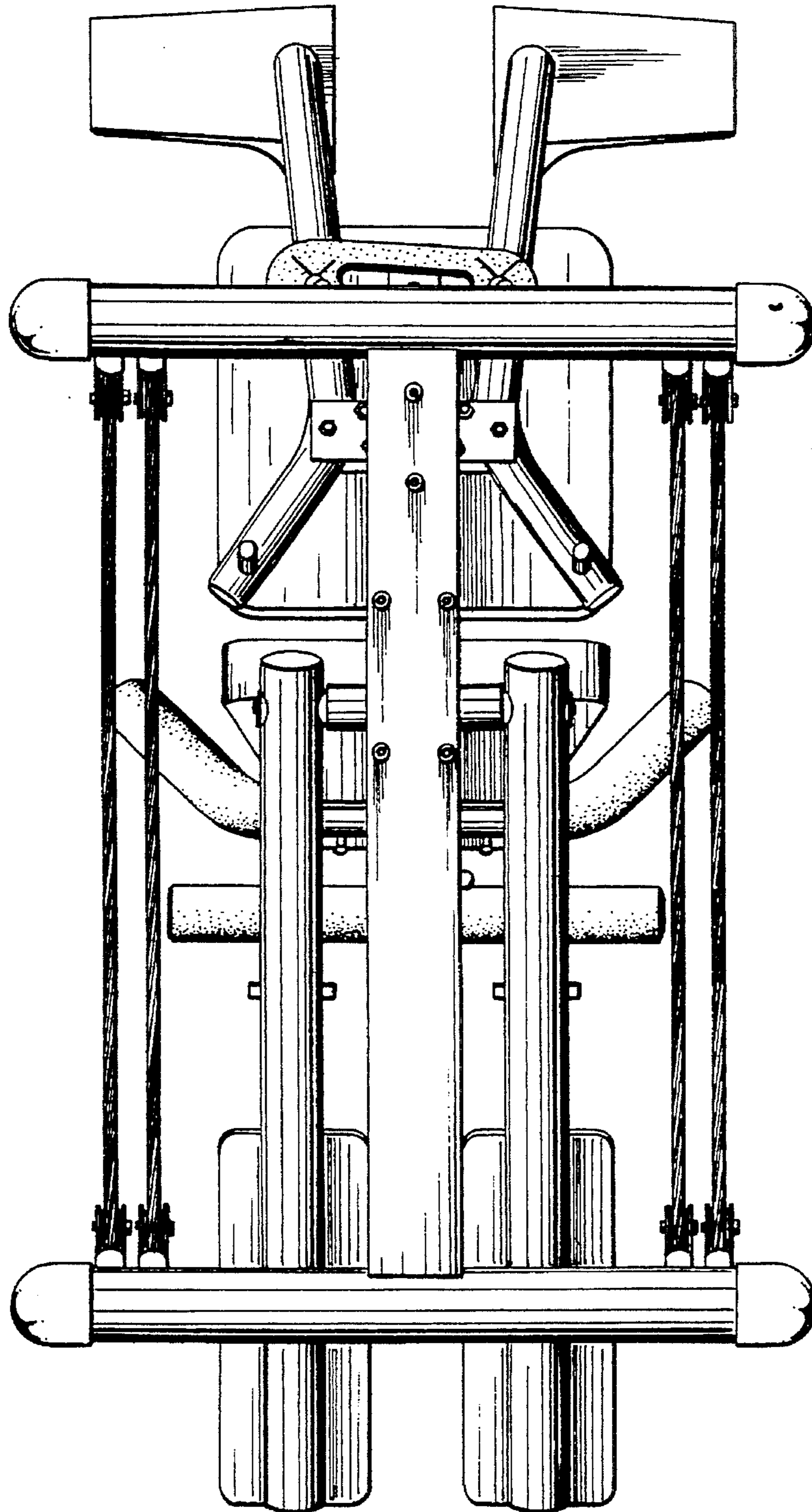


FIG. 5

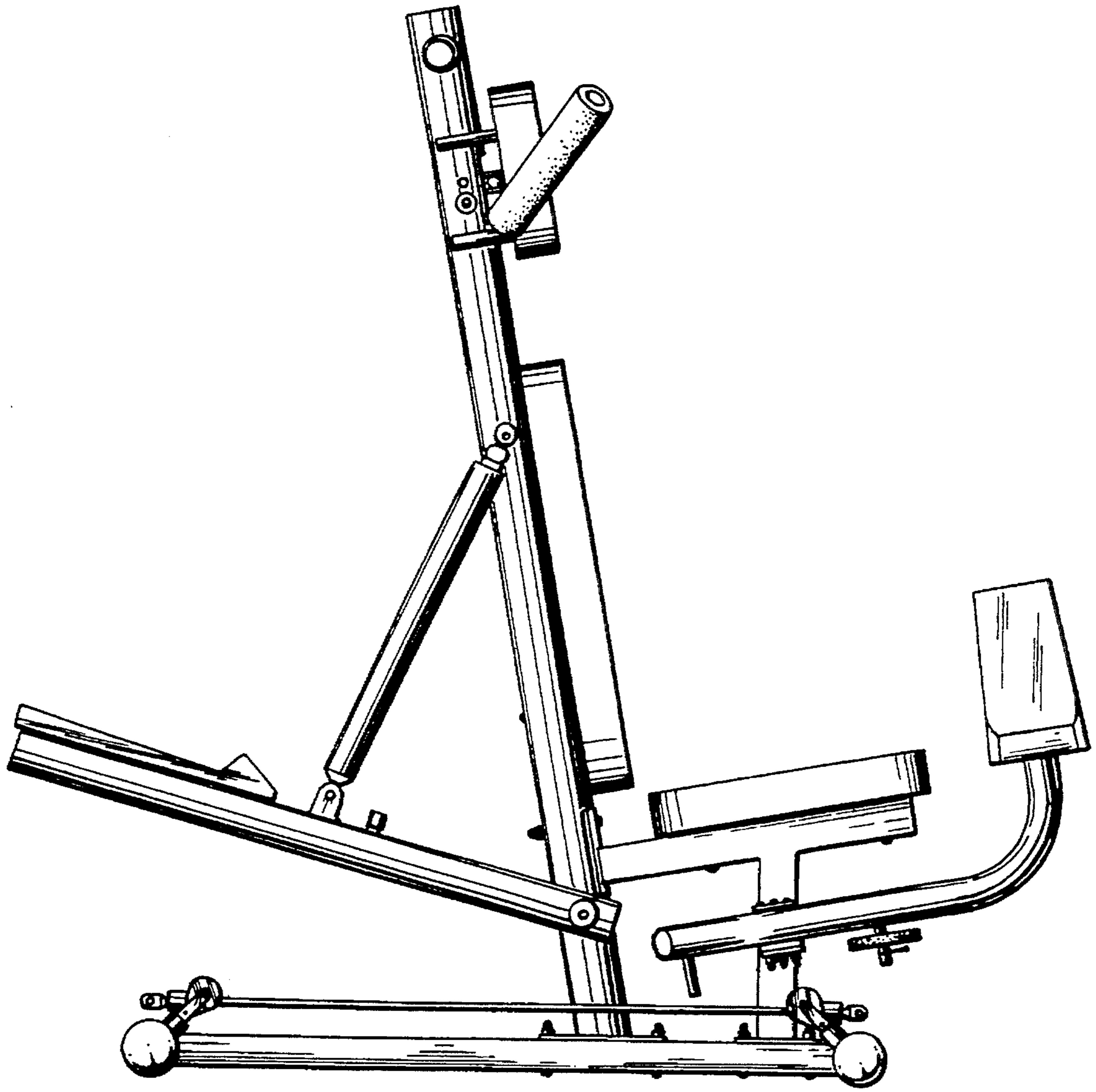


FIG. 6

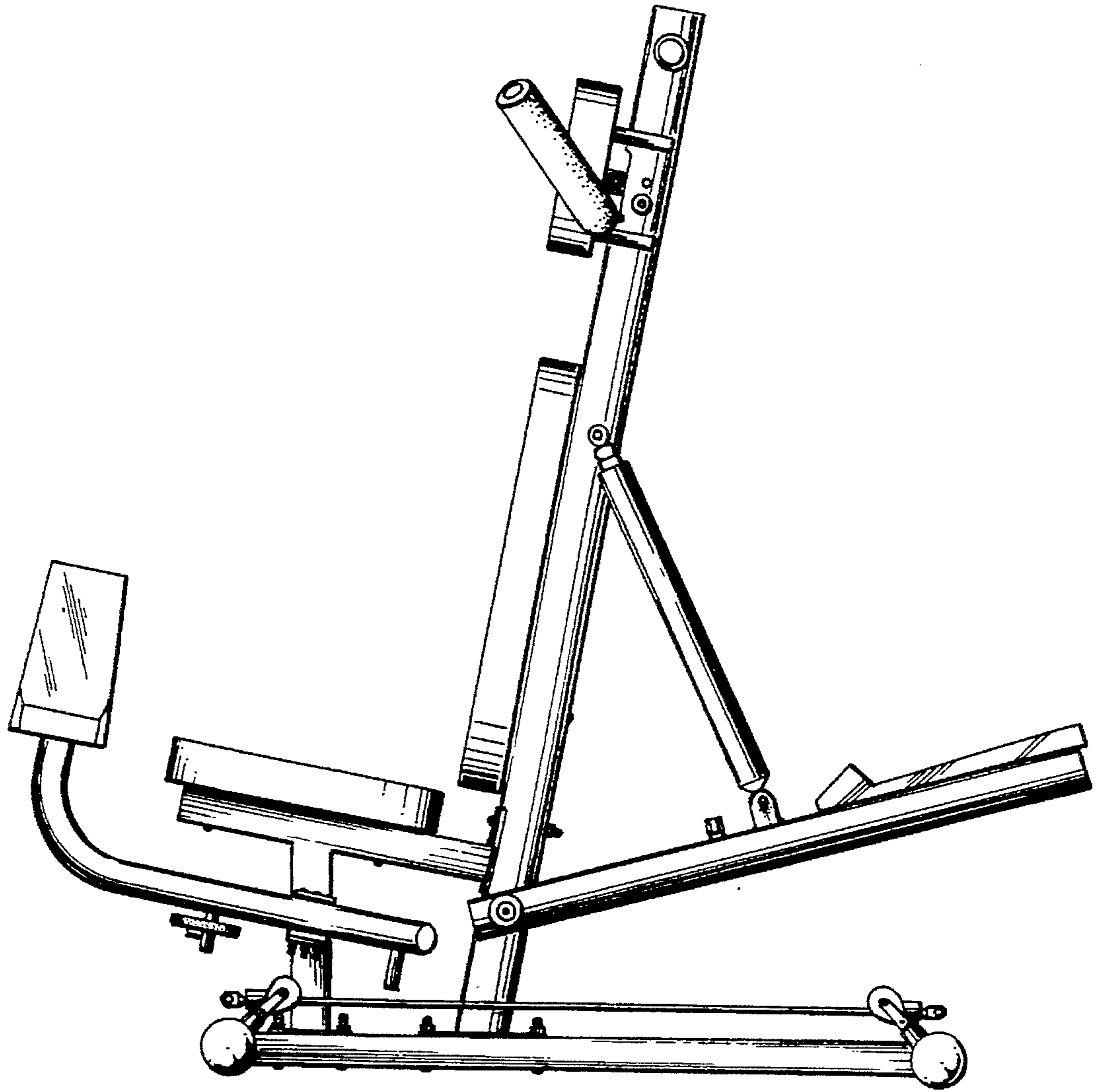


FIG. 7