



US00D366295S

# United States Patent [19] McGovern

[11] Patent Number: **Des. 366,295**

[45] Date of Patent: **\*\*Jan. 16, 1996**

[54] TOY VEHICLE

[75] Inventor: **Gerard G. McGovern**, Coventry, England

[73] Assignee: **Rover Group Limited**, Birmingham, England

[\*\*] Term: **14 Years**

[21] Appl. No.: **34,641**

[22] Filed: **Feb. 9, 1995**

### [30] Foreign Application Priority Data

Aug. 12, 1994 [GB] United Kingdom ..... 2040975

[52] U.S. Cl. .... **D21/136**

[58] Field of Search ..... D21/71, 74-80, D21/129, 130, 132, 134, 135; D12/92, 100; 446/428, 447, 456, 465, 470, 160; 280/1.13, 828, 87.021, 47.11

### [56] References Cited

#### U.S. PATENT DOCUMENTS

- D. 311,760 10/1990 Harrod ..... D21/78
- D. 333,327 2/1993 Plater-Zyberk ..... D21/76
- D. 337,079 7/1993 Okano et al. .... D12/92

- D. 341,339 11/1993 Sato ..... D12/92
- D. 351,573 10/1994 Kong et al. .... D12/92
- 2,633,370 3/1953 Johnston et al. .... 280/828
- 3,036,857 5/1962 Douglas ..... 280/828

*Primary Examiner*—Terry A. Wallace  
*Assistant Examiner*—R. Barkai  
*Attorney, Agent, or Firm*—Clifford W. Browning; Woodard, Emhardt, Naughton, Moriarty & McNett

### [57] CLAIM

The ornamental design for a toy vehicle, as shown and described.

### DESCRIPTION

FIG. 1 is a front elevational view of a toy vehicle showing my new design;  
FIG. 2 is a rear elevational view of the toy vehicle of FIG. 1;  
FIG. 3 is a left side elevational view of the toy vehicle of FIG. 1, the side opposite being a mirror image;  
FIG. 4 is a top plan view of the toy vehicle of FIG. 1;  
FIG. 5 is an bottom plan view of the toy vehicle of FIG. 1; and,  
FIG. 6 is a right side elevational view of the toy vehicle of FIG. 1 with its roof in an alternative configuration.

**1 Claim, 3 Drawing Sheets**

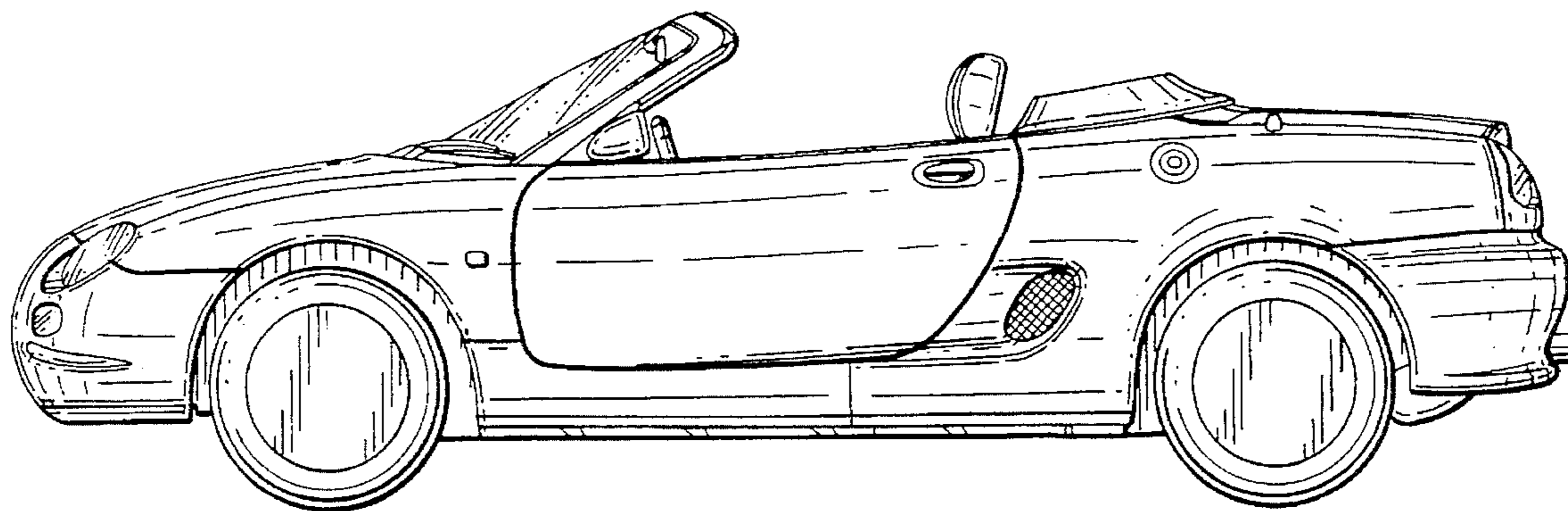


FIG.1.

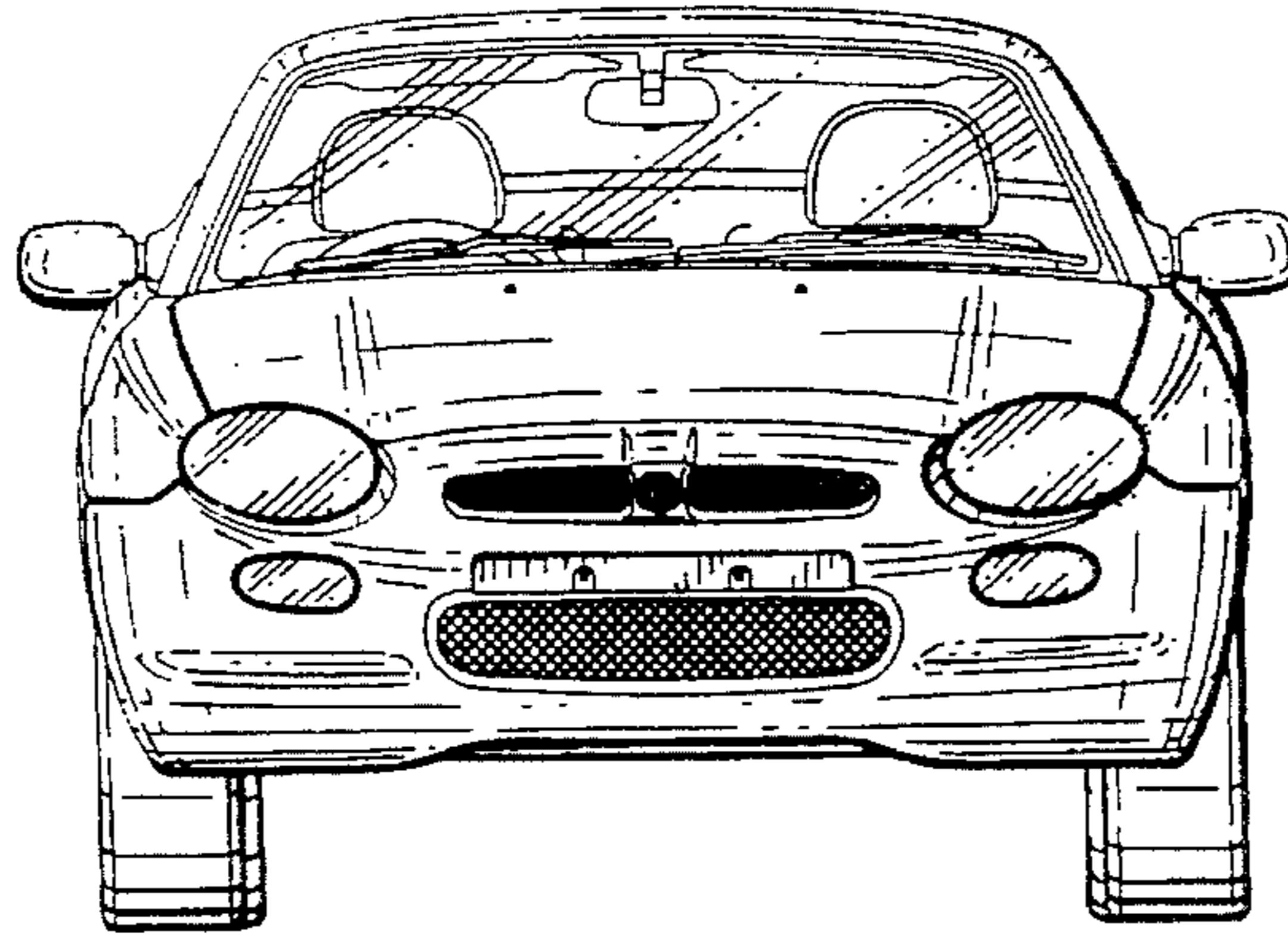


FIG.2.

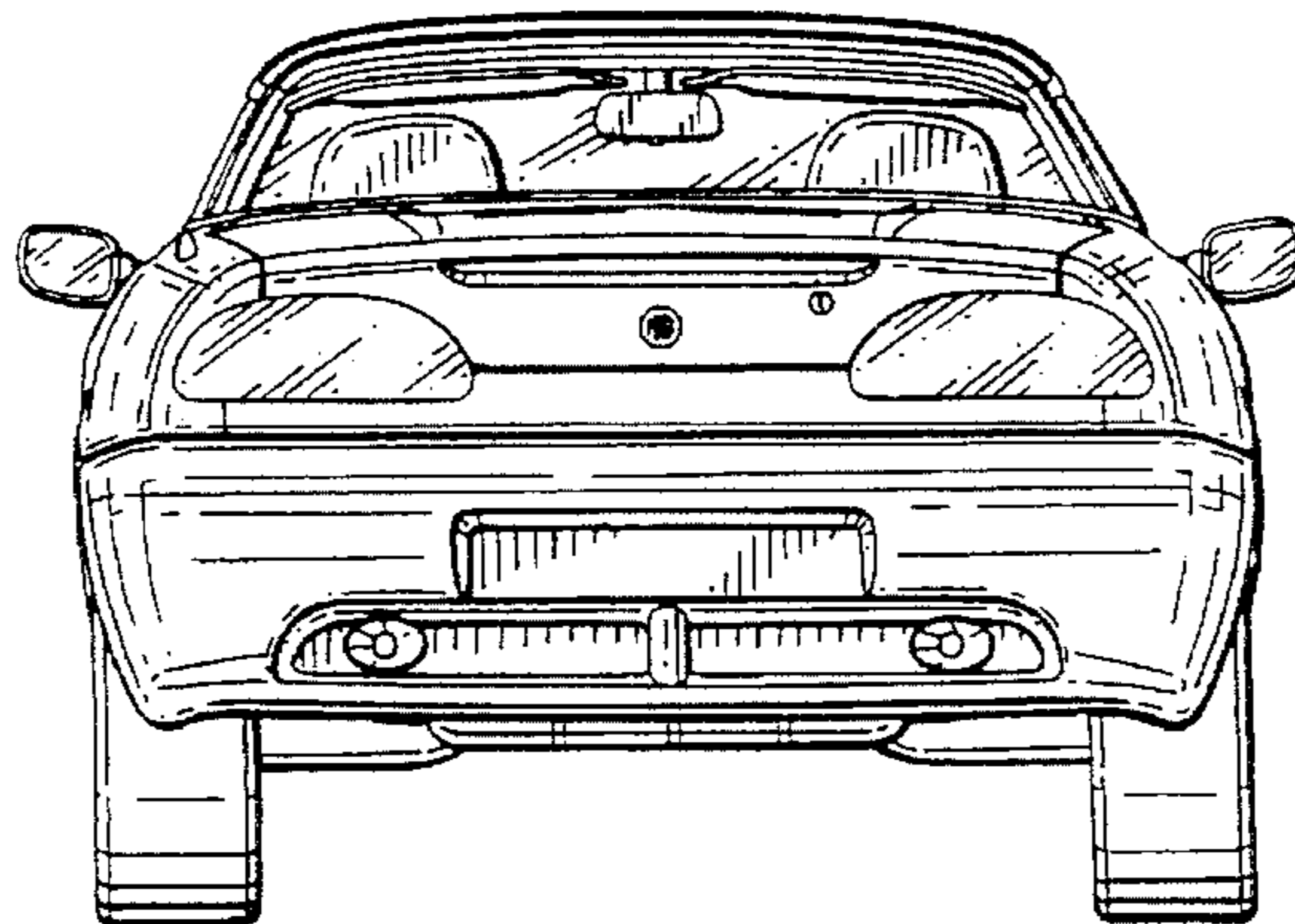


FIG.3.

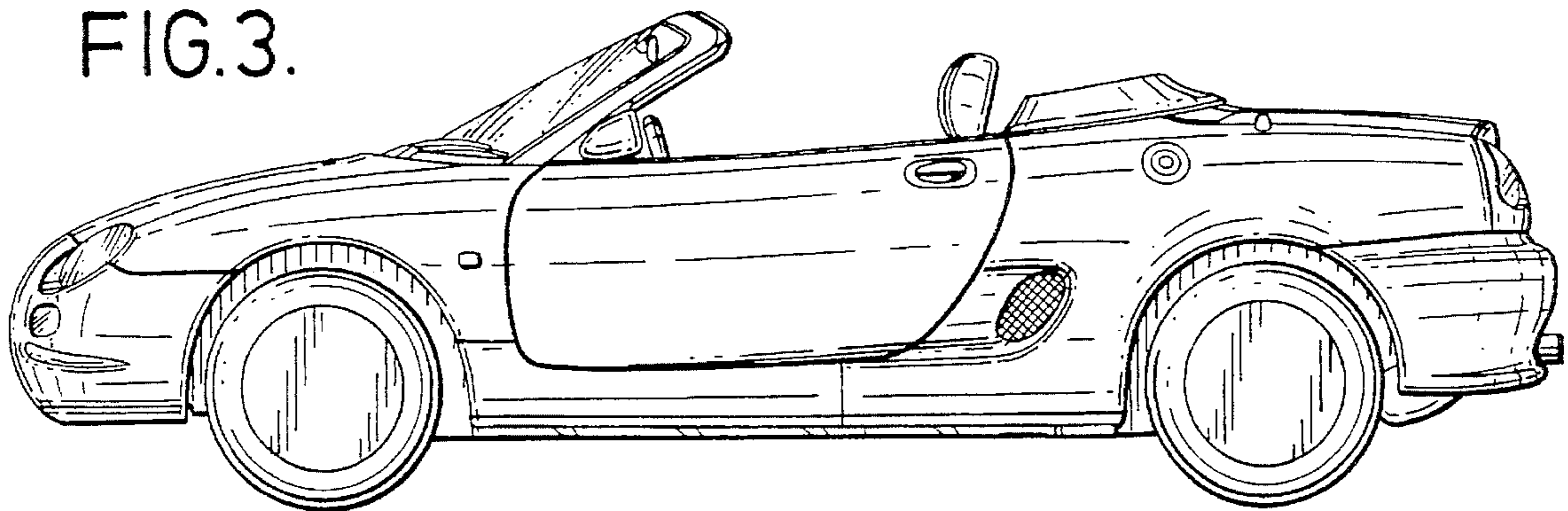


FIG. 4.

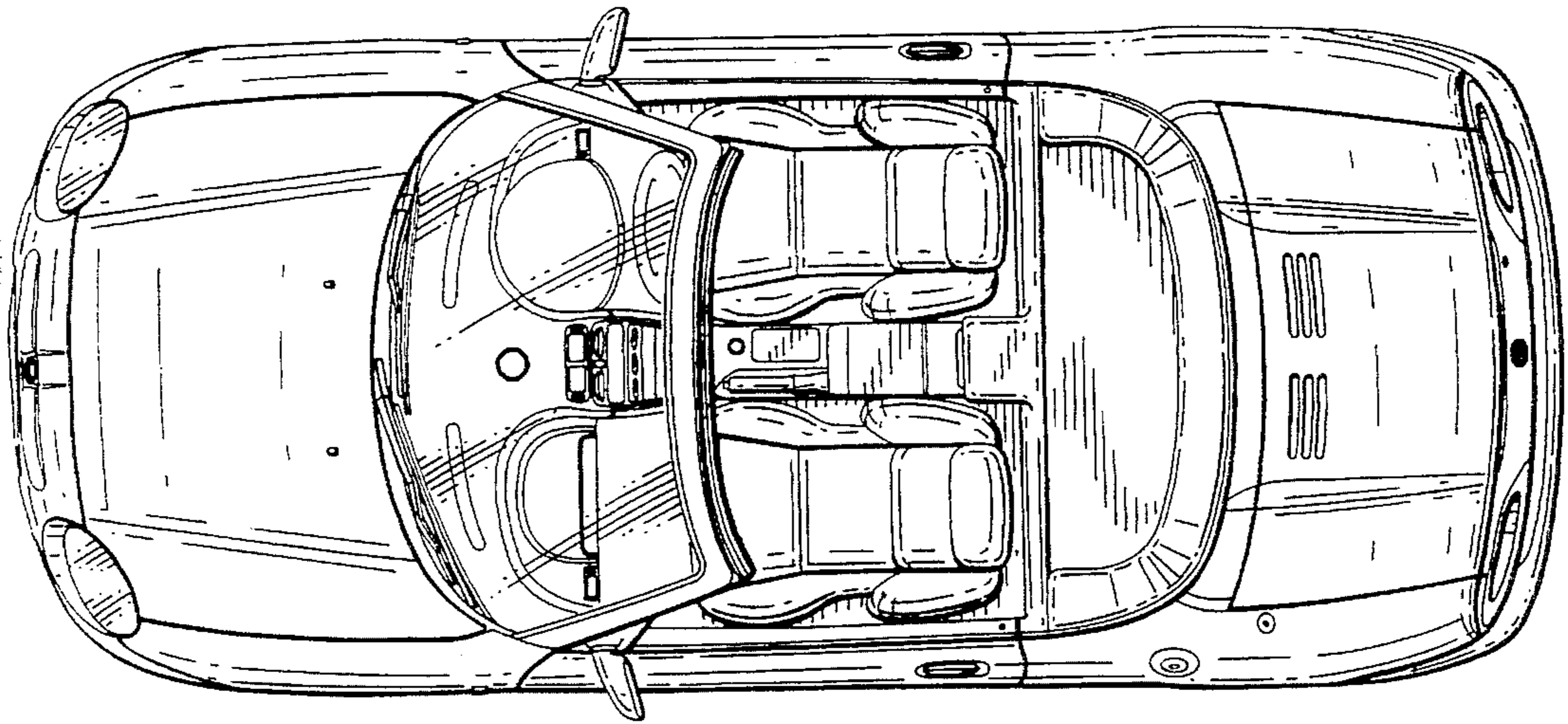


FIG. 5.

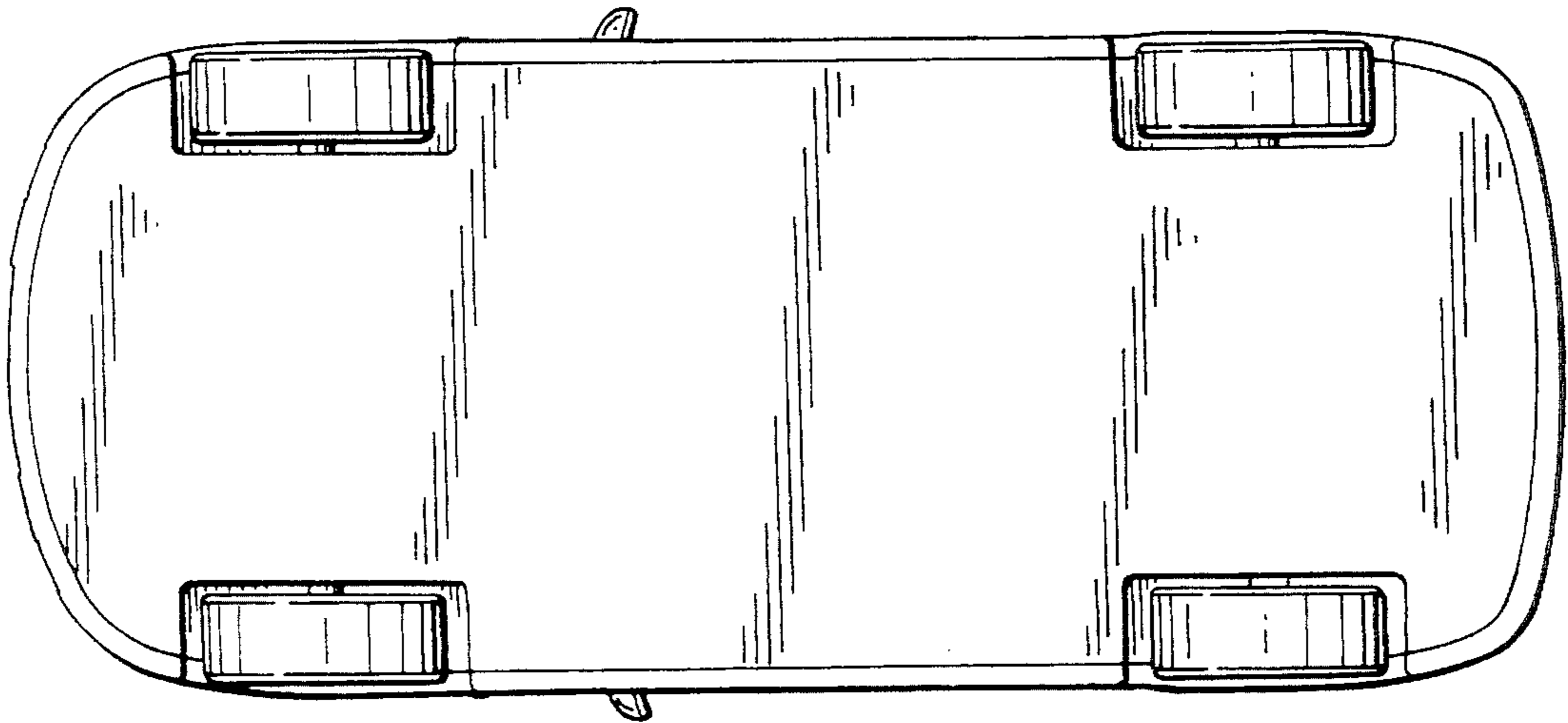


FIG. 6.

