



US00D366294S

United States Patent [19] Blake

[11] Patent Number: **Des. 366,294**

[45] Date of Patent: ****Jan. 16, 1996**

[54] **DOLL SWING**

534,093	2/1895	Brooks	446/322
1,254,890	1/1918	Douglass	D21/246
4,244,622	1/1981	Simpson	.
4,271,627	6/1981	Echterling	.

[76] Inventor: **Diana S. Blake**, Rd #154, Titusville, Pa. 16354

[**] Term: **14 Years**

Primary Examiner—Prabhakar G. Deshmukh
Assistant Examiner—R. Barkai

[21] Appl. No.: **26,398**

[57] **CLAIM**

[22] Filed: **Jul. 25, 1994**

The ornamental design for the doll swing, as shown and described.

[52] U.S. Cl. **D21/123**

[58] Field of Search D21/120, 123, D21/246; D6/347, 345; 446/268, 322, 479

DESCRIPTION

[56] **References Cited**

U.S. PATENT DOCUMENTS

D. 131,901	4/1942	Phillips	D21/123
D. 157,215	2/1950	Thomas	D21/123
D. 198,922	8/1964	Ryan	D6/347
D. 258,252	2/1981	Gass	.
D. 294,375	2/1988	Lowry	.
D. 295,432	4/1988	Baranek	D21/123
D. 336,378	6/1993	Kittridge	.

FIG. 1 is a front elevational view of the doll swing showing my new design;
FIG. 2 is a rear elevational view thereof;
FIG. 3 is a left side elevational view thereof;
FIG. 4 is a right side elevational view thereof;
FIG. 5 is a top plan view thereof; and,
FIG. 6 is a bottom plan view thereof.

1 Claim, 3 Drawing Sheets

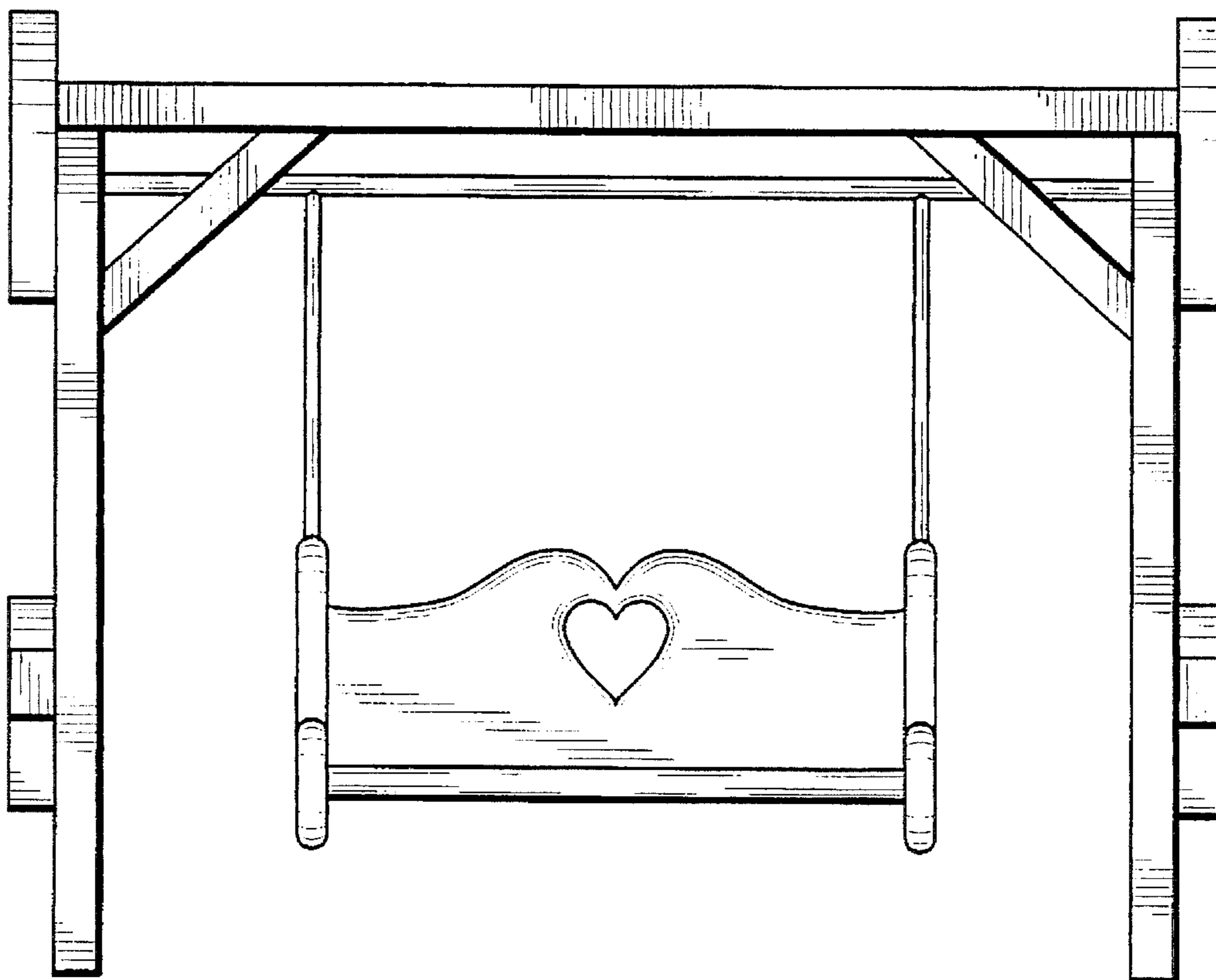


FIG. 1

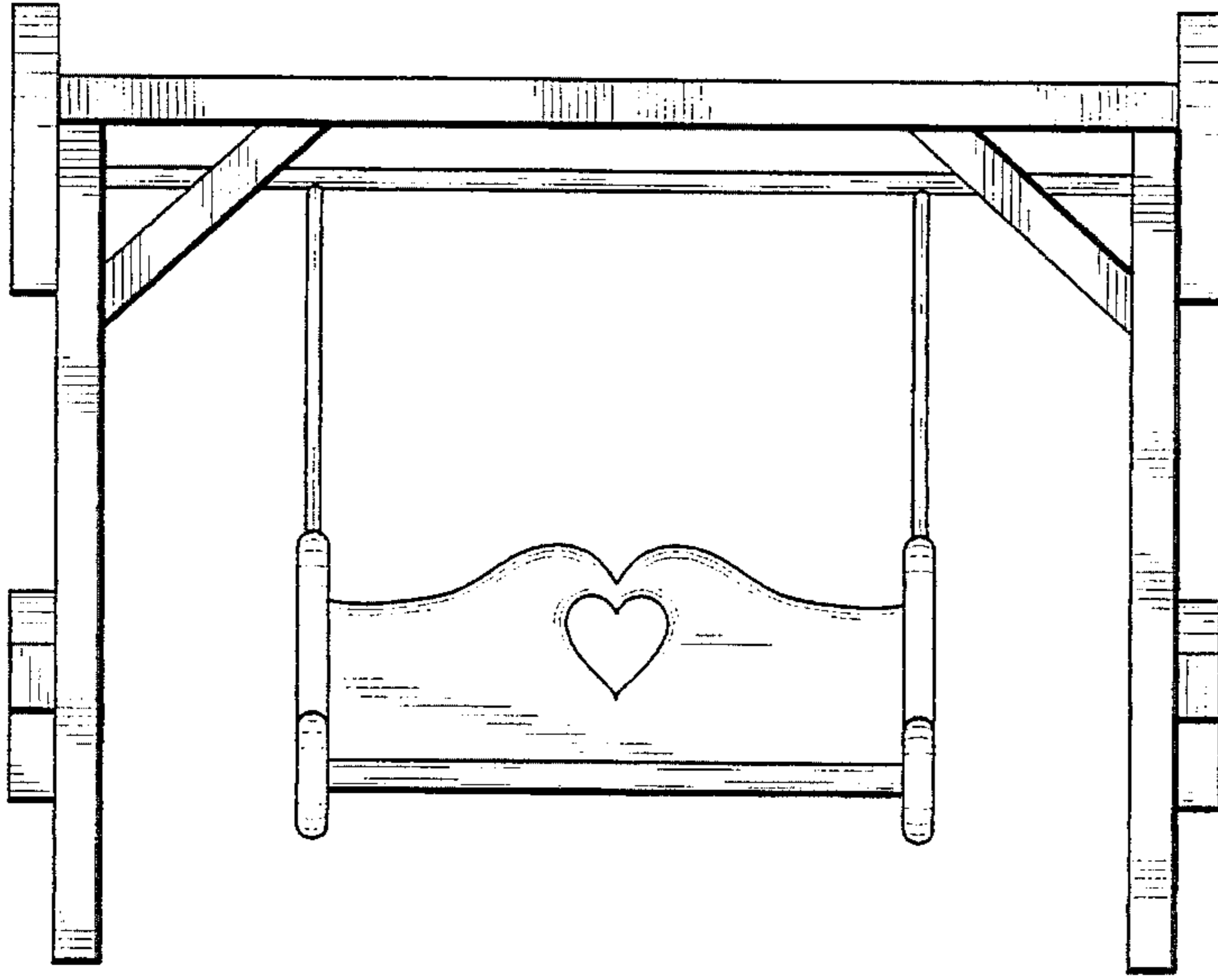


FIG. 2

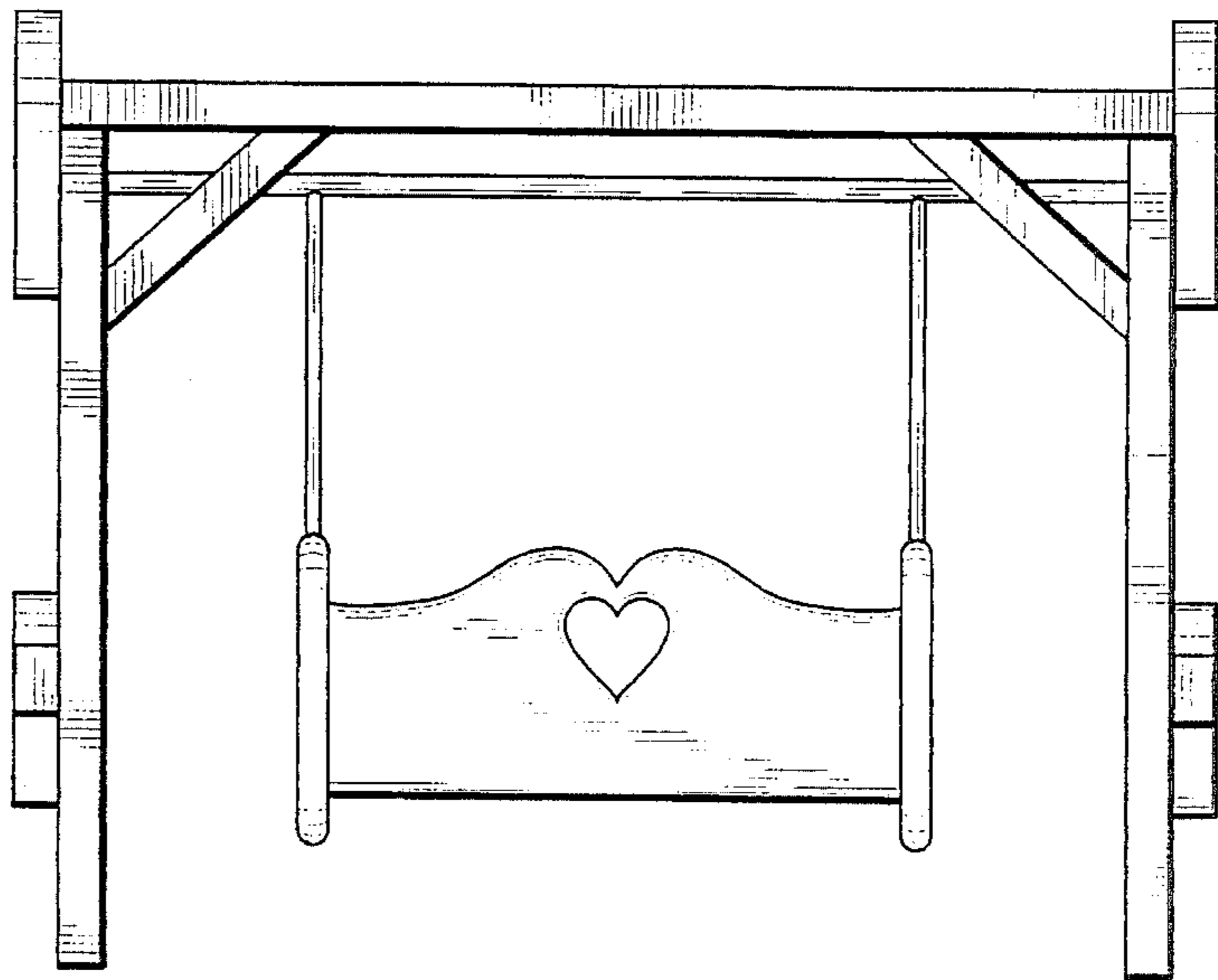


FIG. 3

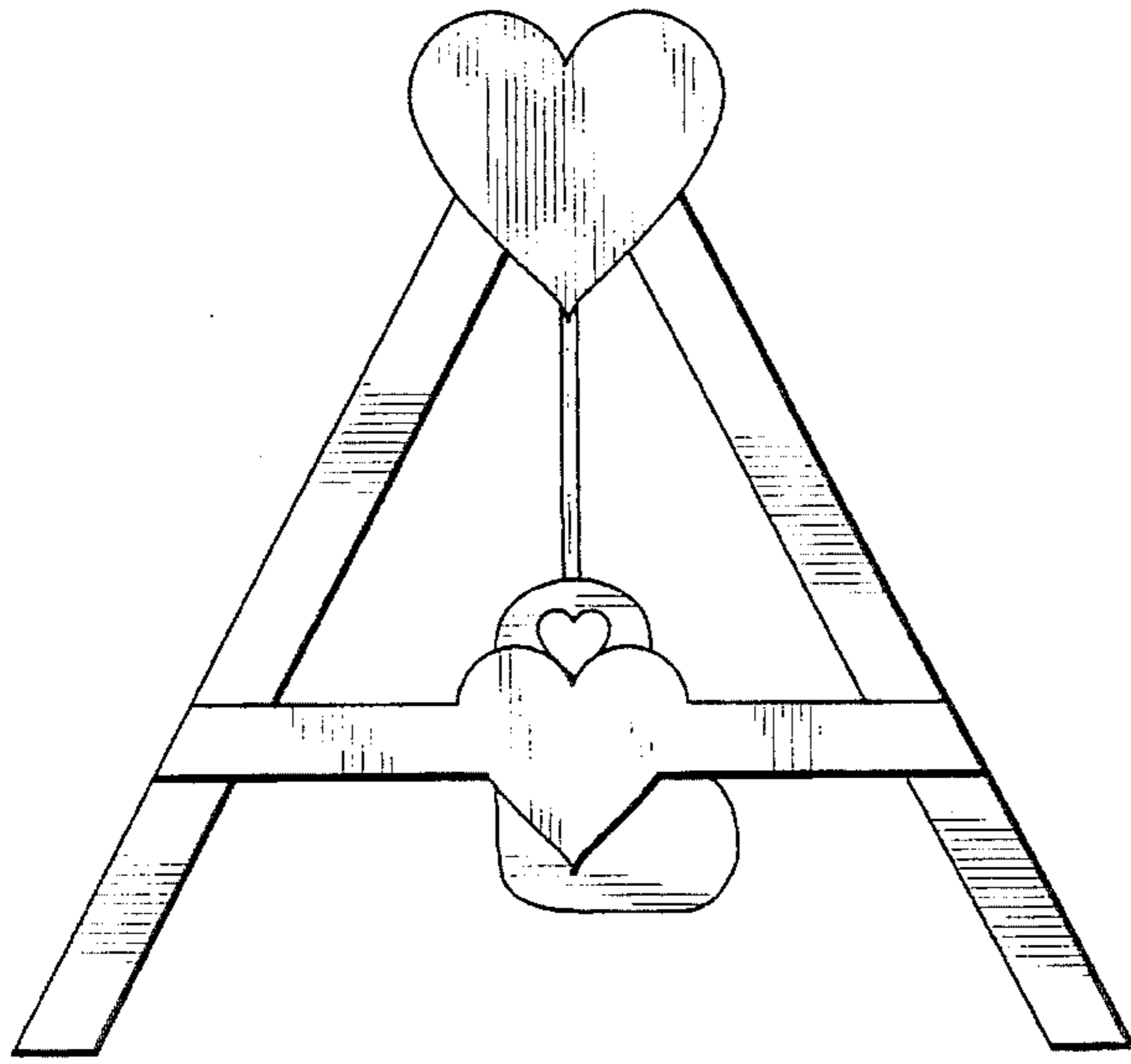


FIG. 4

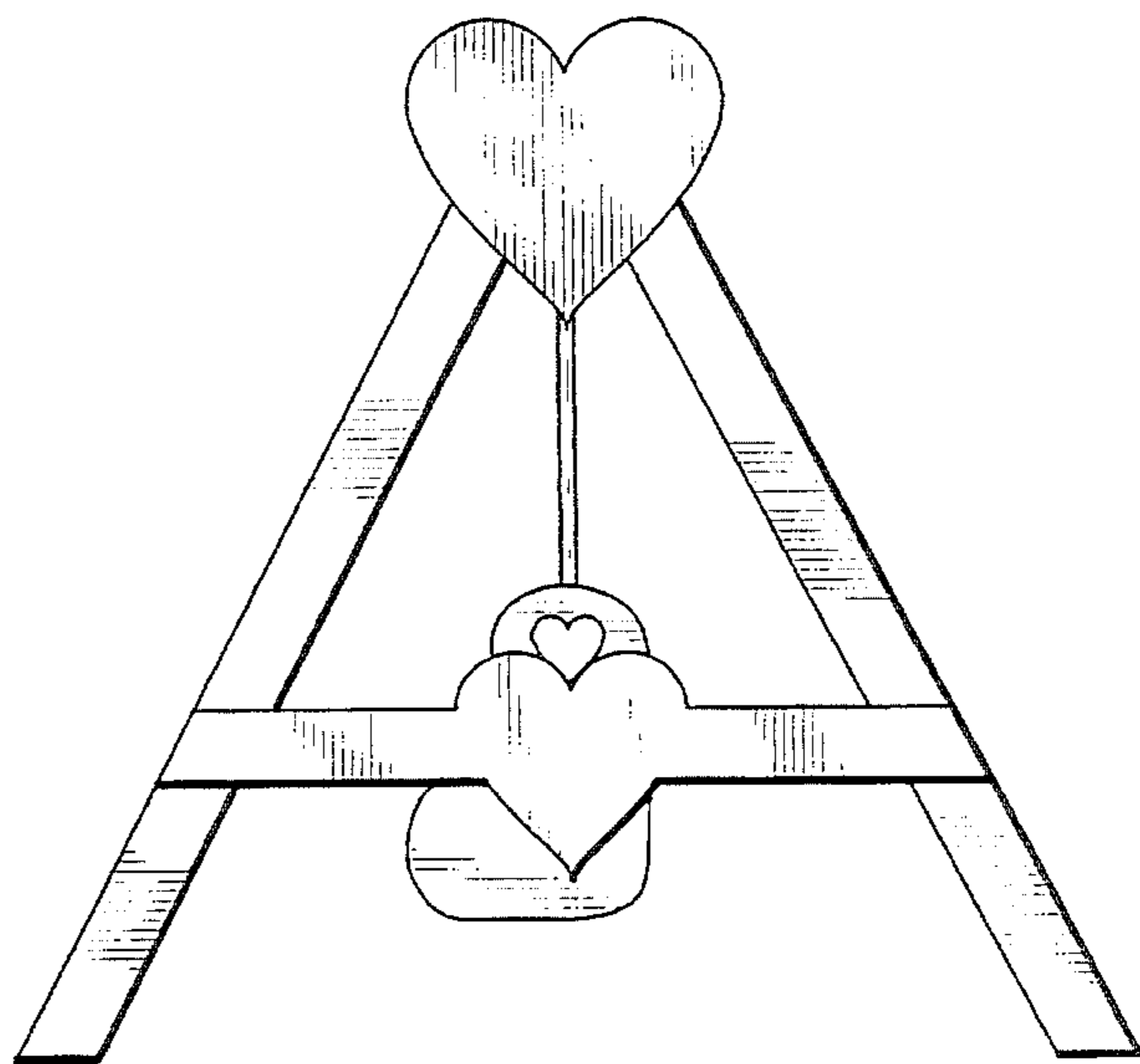


FIG. 5

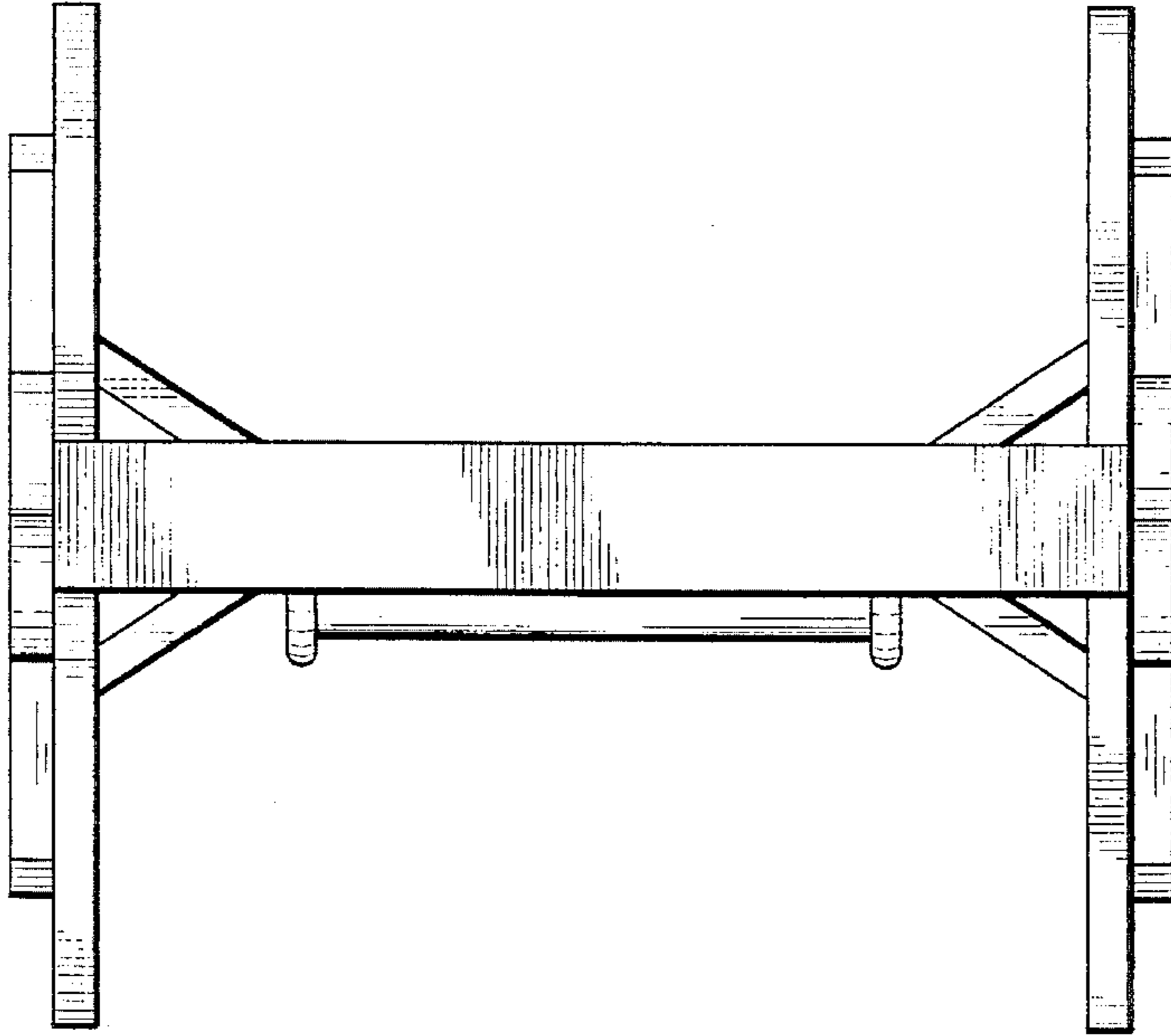


FIG. 6

