



US00D366293S

United States Patent [19]
Yang

[11] **Patent Number: Des. 366,293**

[45] **Date of Patent: **Jan. 16, 1996**

[54] **TOY GAS SET**

[76] **Inventor: Chin-Long Yang, No. 48, Lane 502, Wen Shyan Rd., Tainan, Taiwan**

[**] **Term: 14 Years**

[21] **Appl. No.: 32,268**

[22] **Filed: Dec. 13, 1994**

[52] **U.S. Cl. D21/122**

[58] **Field of Search D21/121, 122, D21/109, 59; D7/339; D23/278, 284, 285, 286, 289; 446/70, 110, 476, 478, 479, 481, 482, 488**

[56] **References Cited**

U.S. PATENT DOCUMENTS

D. 288,702	3/1987	Bedell et al.	D21/122
D. 328,623	8/1992	Zinter-Chahin	D21/122
D. 350,167	8/1994	Klawitter	D21/122
826,598	7/1906	Nicolaus	446/481
4,332,101	6/1982	Tomita	446/481
4,333,258	6/1982	McCaslin	446/481

OTHER PUBLICATIONS

Fisher Price Toy Fair Catalog, p. 35 Toy Stove top left of page.

Primary Examiner—Prabhakar G. Deshmukh
Assistant Examiner—R. Barkai
Attorney, Agent, or Firm—Bacon & Thomas

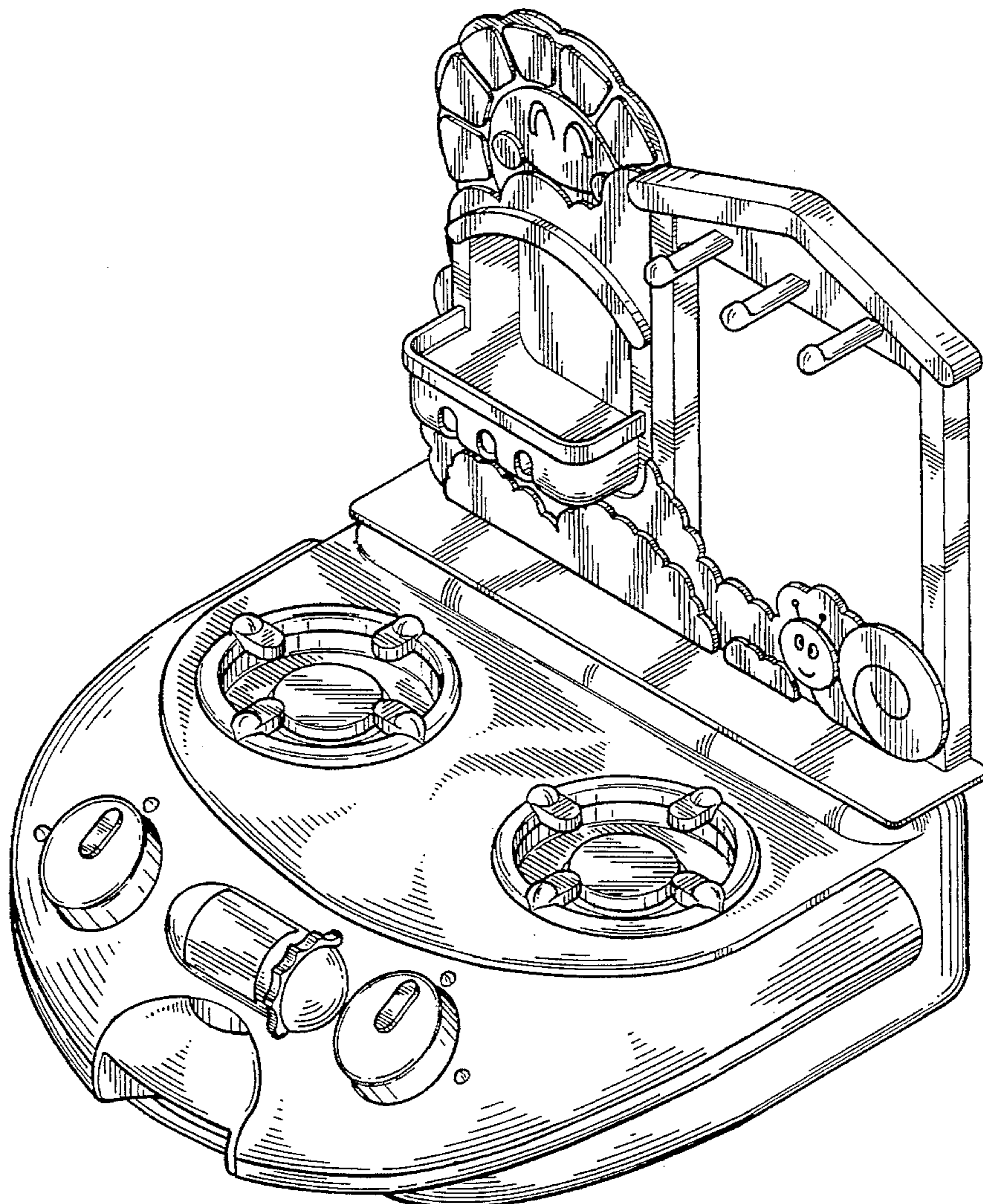
[57] **CLAIM**

The ornamental design for toy gas set, as shown and described.

DESCRIPTION

FIG. 1 is a perspective view of toy gas set showing my present design;
FIG. 2 is a front view thereof;
FIG. 3 is a rear view thereof;
FIG. 4 is a left view thereof;
FIG. 5 is a right view thereof;
FIG. 6 is a top plan view thereof; and,
FIG. 7 is a bottom plan view.

1 Claim, 7 Drawing Sheets



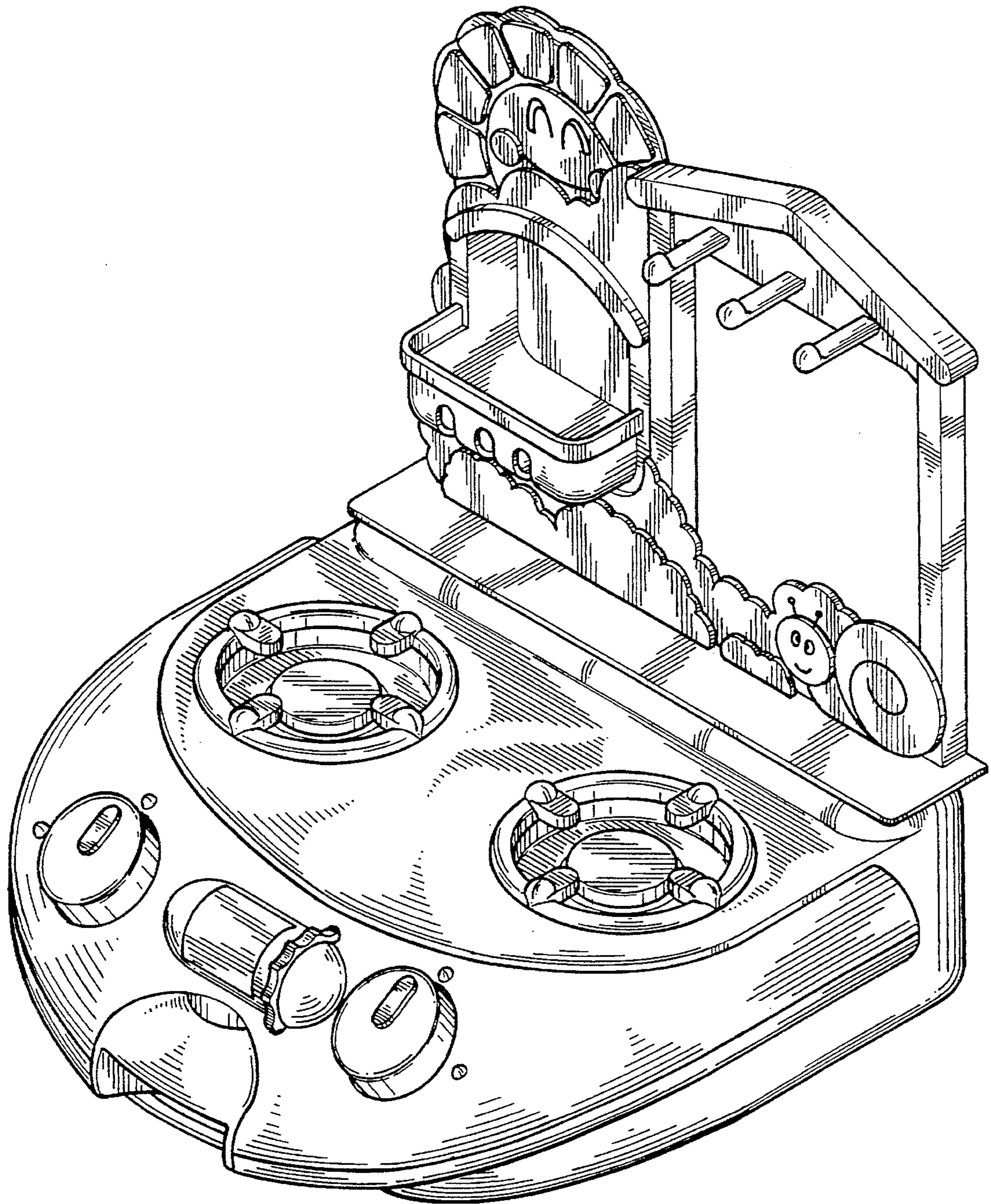


FIG. 1

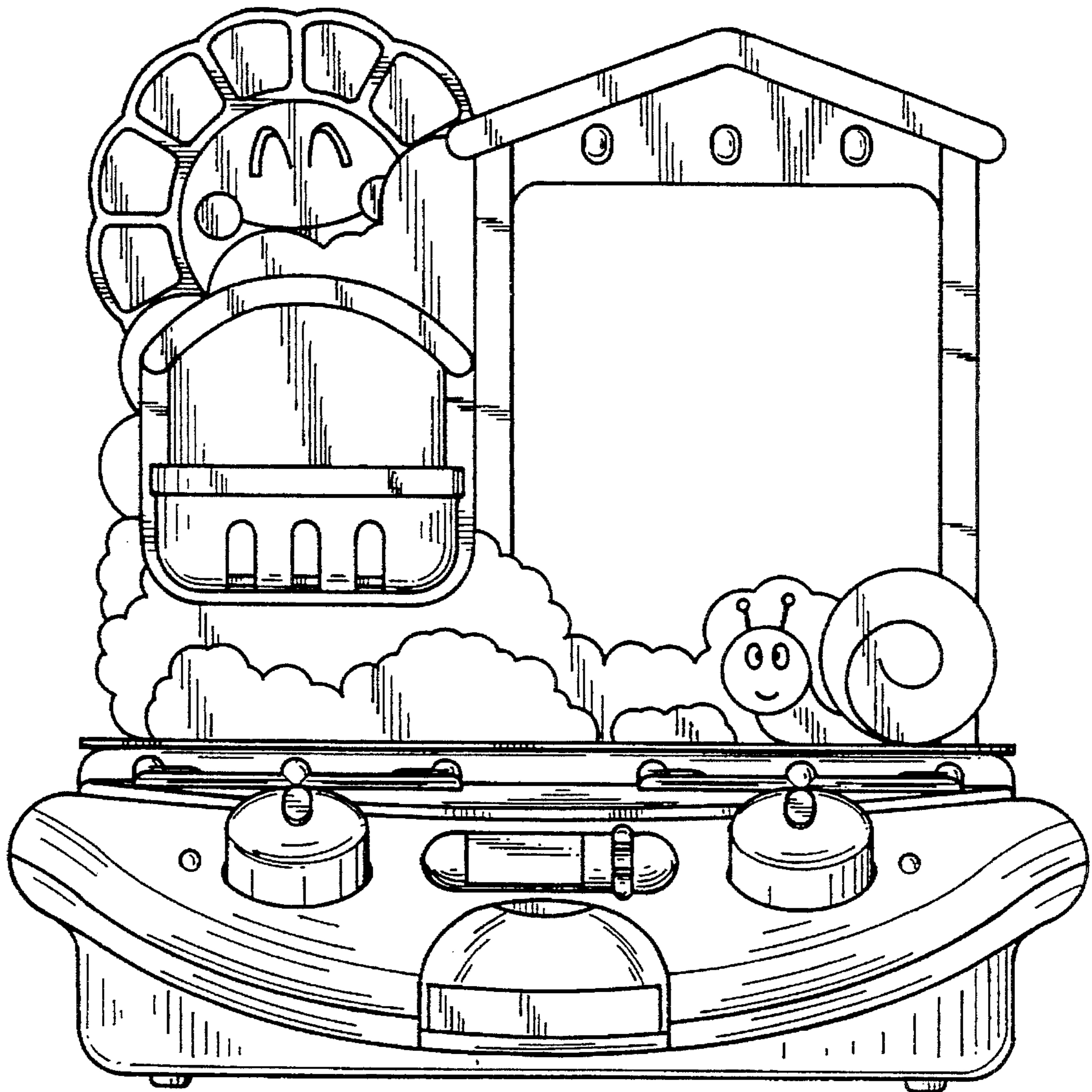


FIG. 2

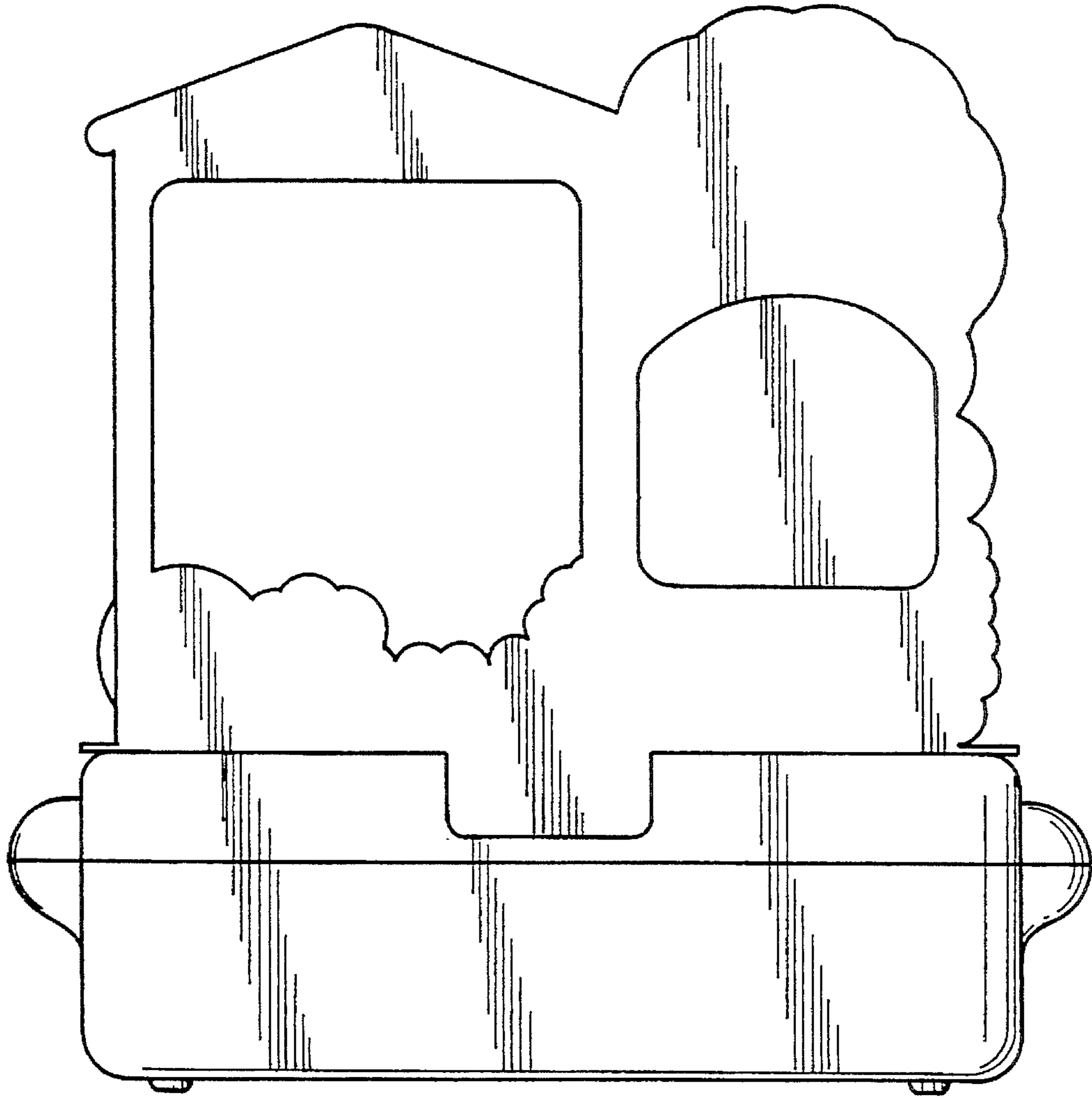


FIG. 3

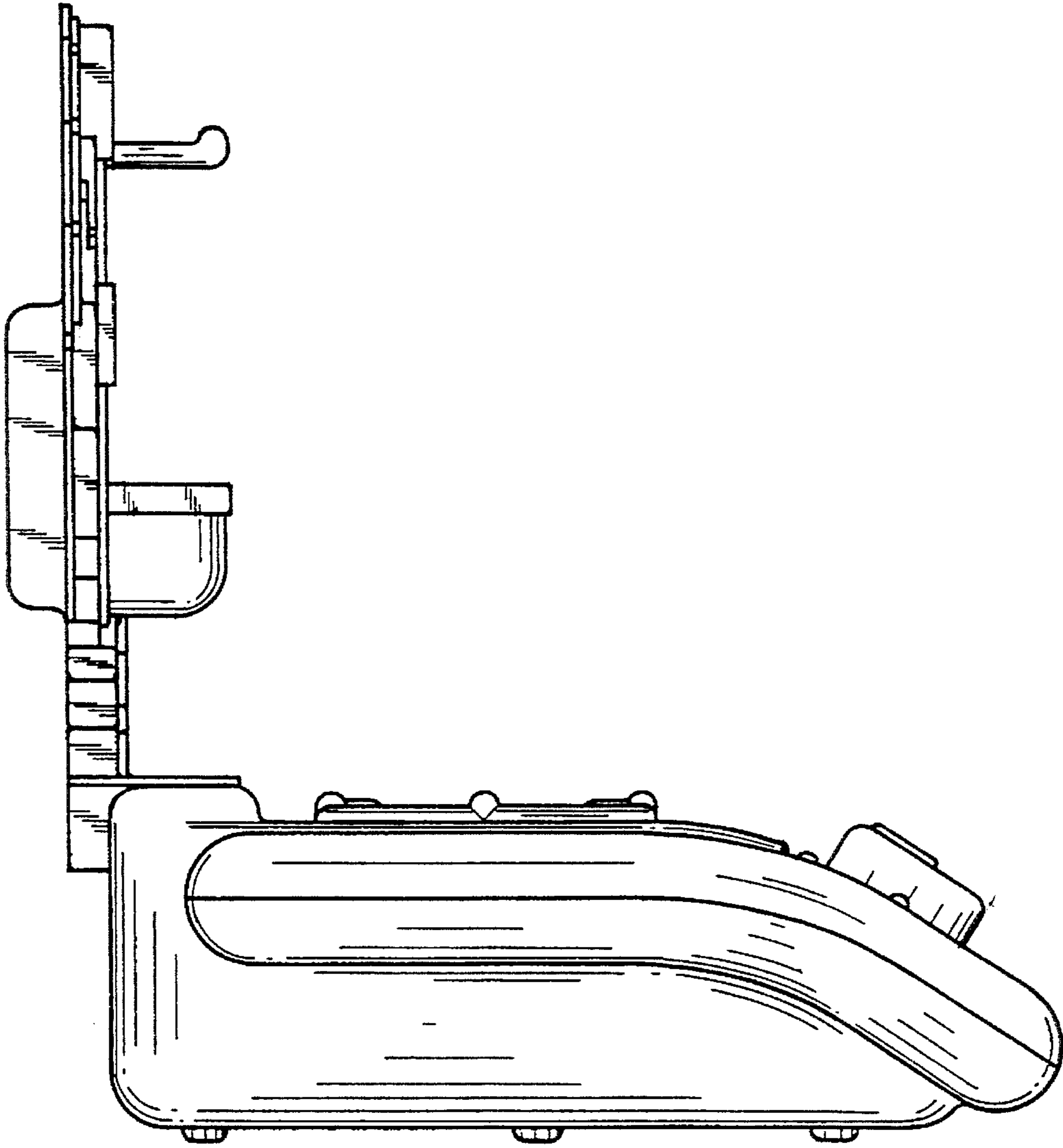


FIG. 4

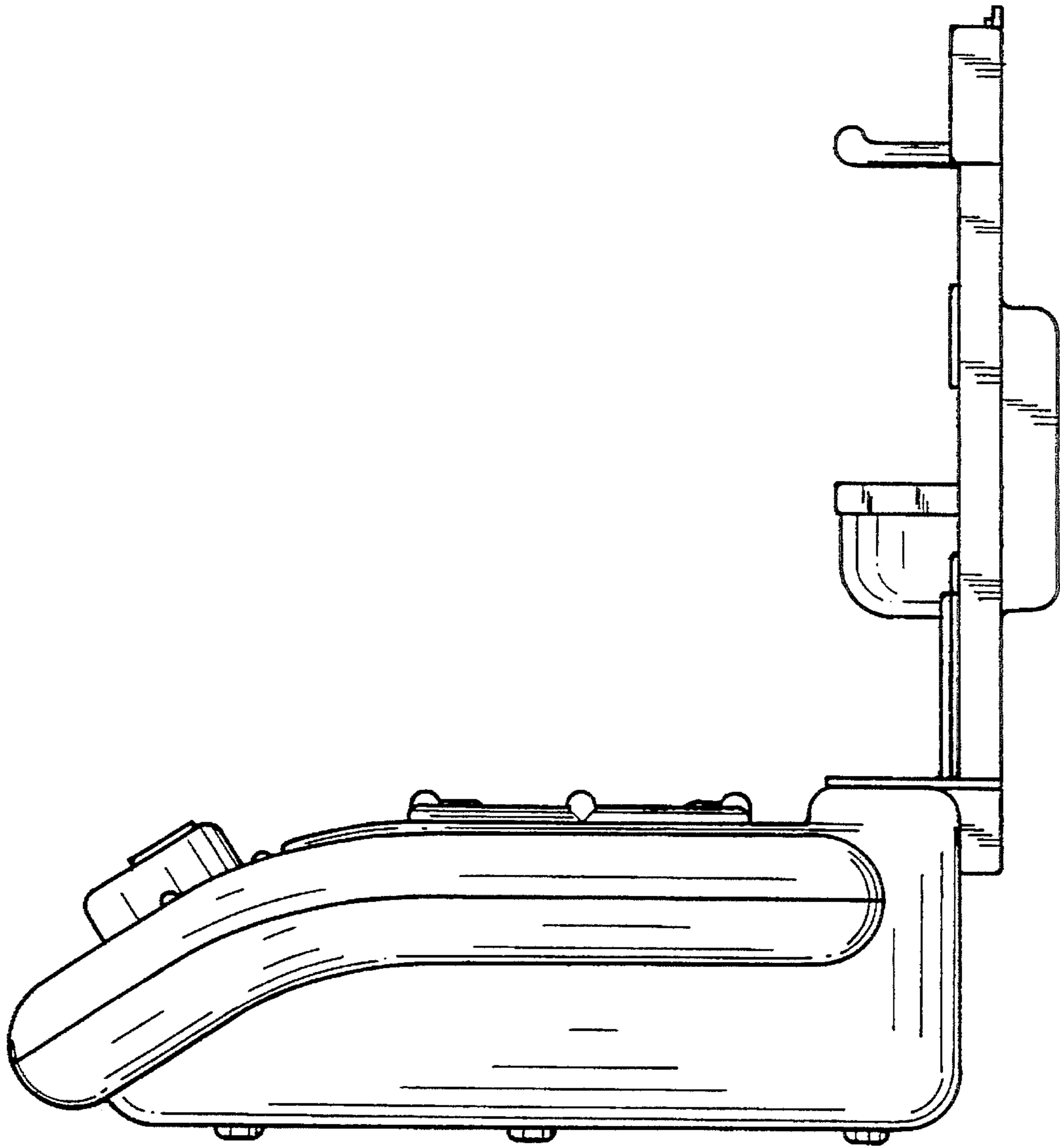


FIG. 5

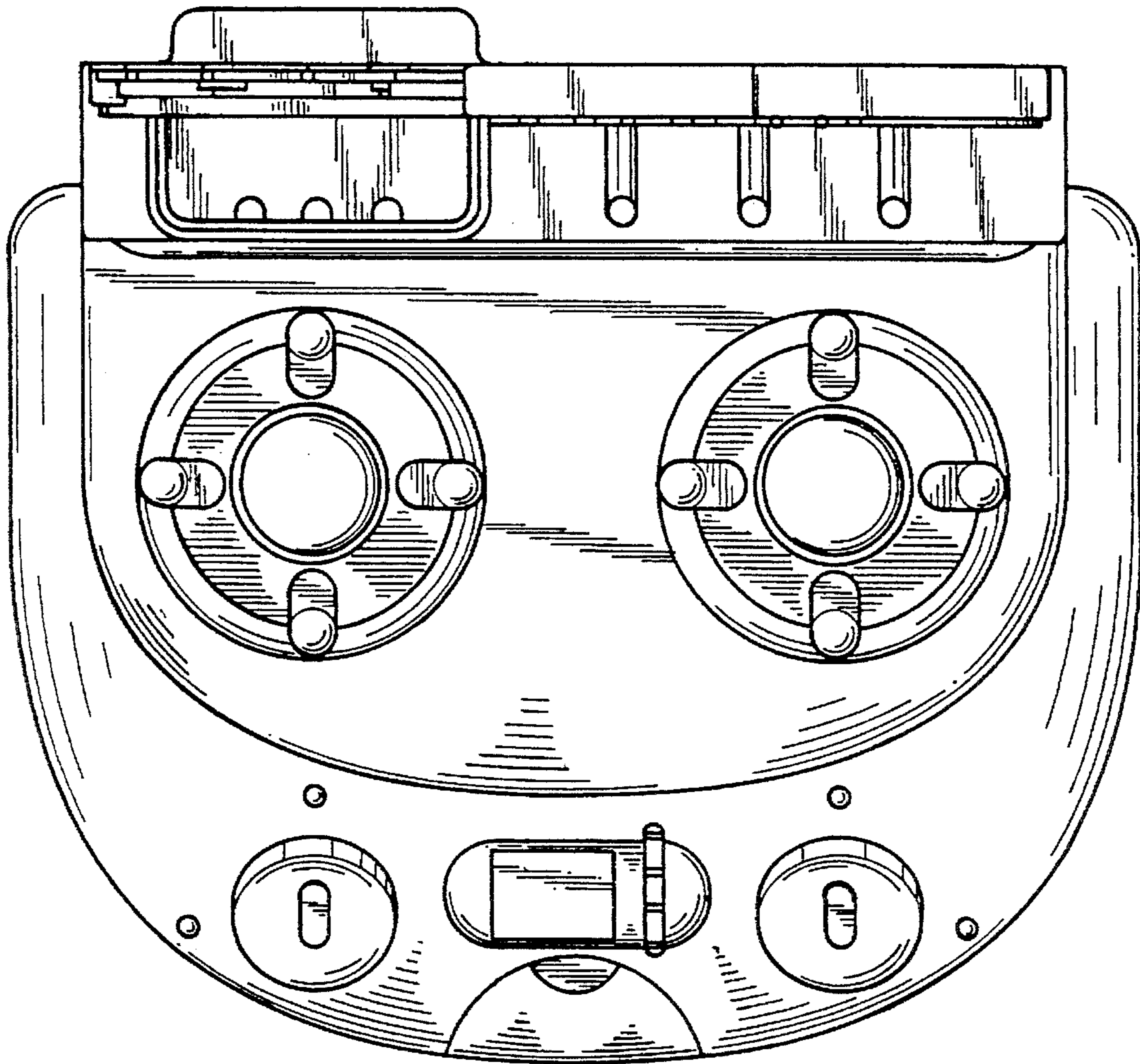


FIG. 6

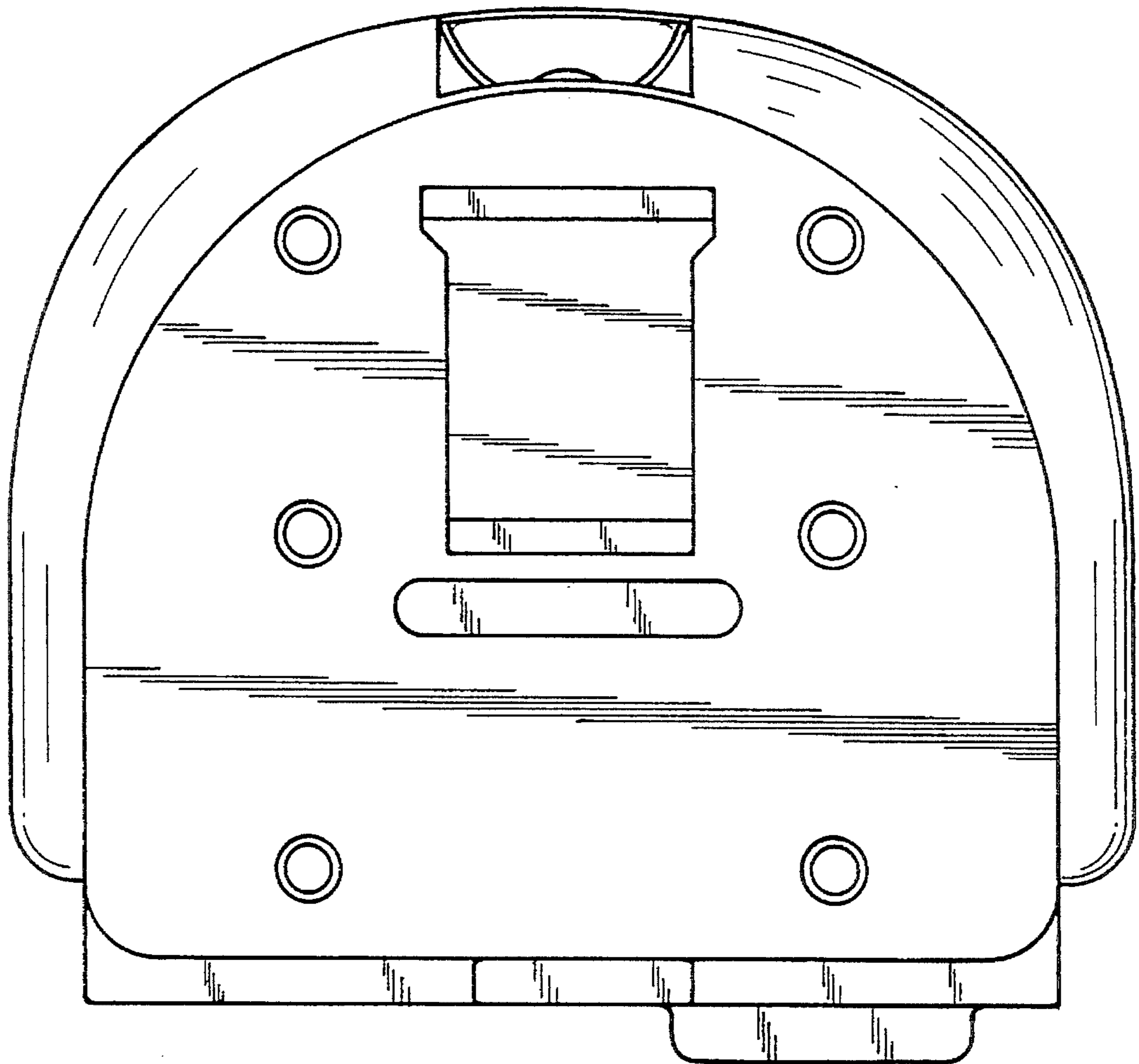


FIG. 7