



US00D366287S

United States Patent [19] Kino

[11] Patent Number: **Des. 366,287**

[45] Date of Patent: ****Jan. 16, 1996**

[54] **RATTLE**

[75] Inventor: **Moriya Kino**, Yokohama, Japan

[73] Assignee: **Royal Co., Ltd.**, Japan

[**] Term: **14 Years**

[21] Appl. No.: **32,848**

[22] Filed: **Dec. 30, 1994**

[52] U.S. Cl. **D21/65**

[58] Field of Search D21/59, 64, 65;
D17/22; 446/408, 418, 419, 421

[56] References Cited

U.S. PATENT DOCUMENTS

D. 276,845	12/1984	Daugherty	D21/65 X
D. 277,880	3/1985	Paczko	D21/65
D. 317,473	6/1991	Copper et al.	D21/65

OTHER PUBLICATIONS

Royal Co., Ltd., "Toyroyal", 1991, No. 3028 (Rattle House).
Early Learning Centre, "Autumn-Winter-1991/2", 1991, No. 1168 (Pig Rattle), No. 1263 (Rabbit Rattle).

Kiddicraft, 1980, NO. K02 416 (Birdie Rattle).

Primary Examiner—Dominic Simone
Attorney, Agent, or Firm—Ostrolenk, Faber, Gerb & Soffen

[57] CLAIM

The ornamental design for a rattle, as shown and described.

DESCRIPTION

FIG. 1 is a front elevational view of a rattle showing my new design;
FIG. 2 is a right side elevational view thereof and is also a mirror image of the left side elevational view thereof;
FIG. 3 is a top plan view thereof;
FIG. 4 is a cross-sectional view taken along a line IV—IV in FIG. 1;
FIG. 5 is a bottom plan view thereof;
FIG. 6 is a cross-sectional view taken along a line IV—IV in FIG. 1;
FIG. 7 is a rear elevational view thereof; and,
FIG. 8 is a front elevational view thereof in a operating condition.

1 Claim, 4 Drawing Sheets

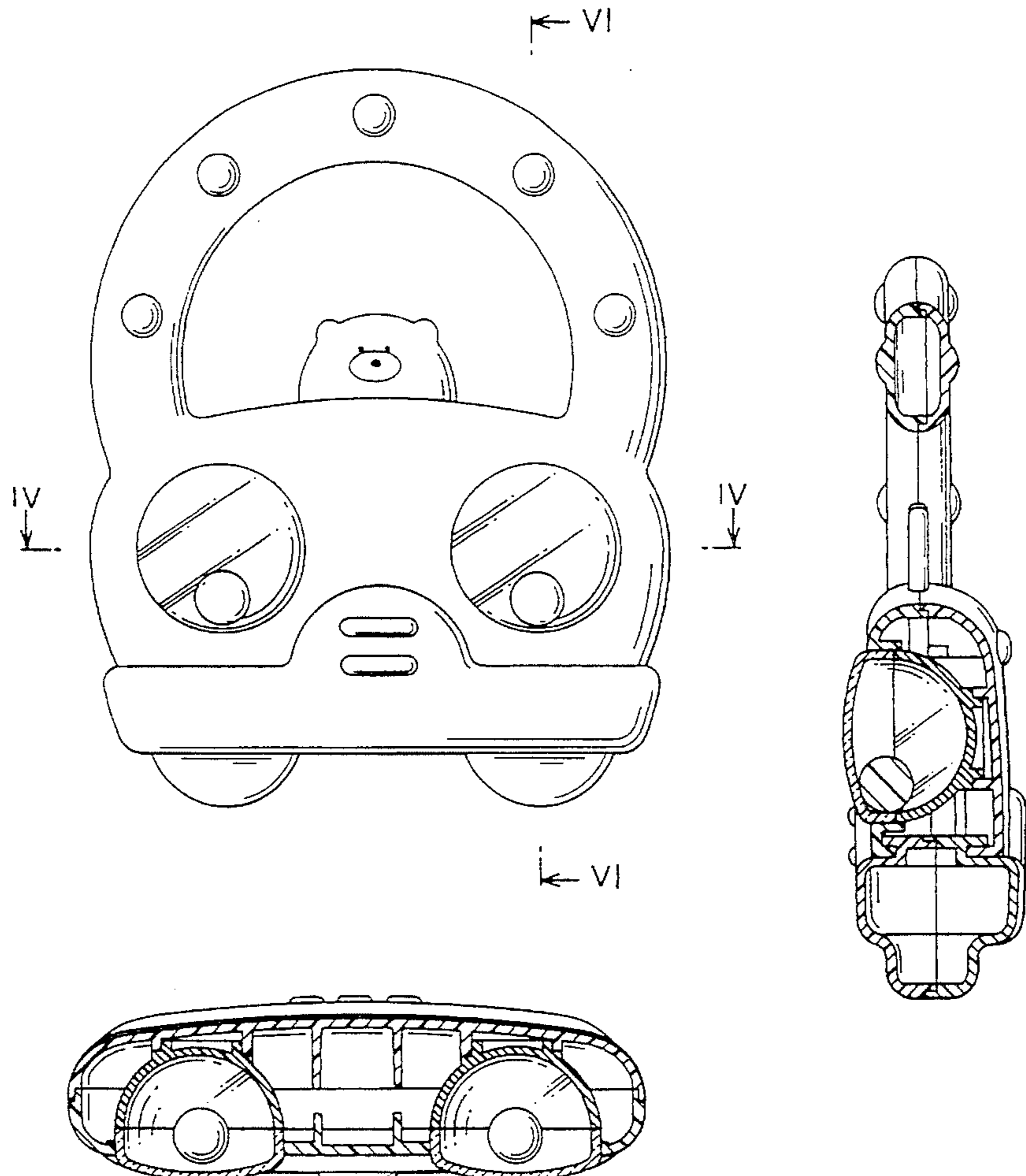


Fig. 1

Fig. 2

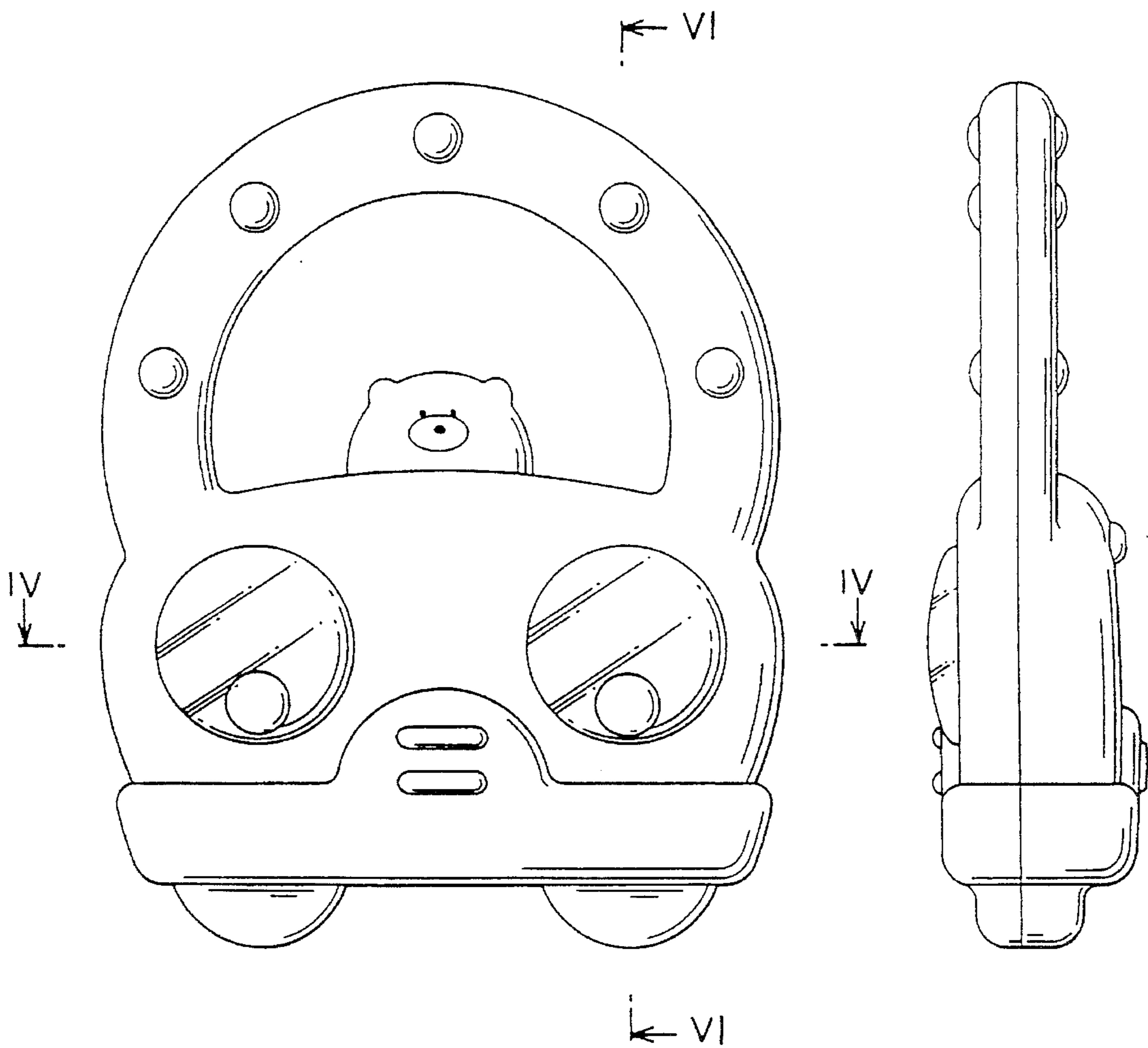


Fig. 3

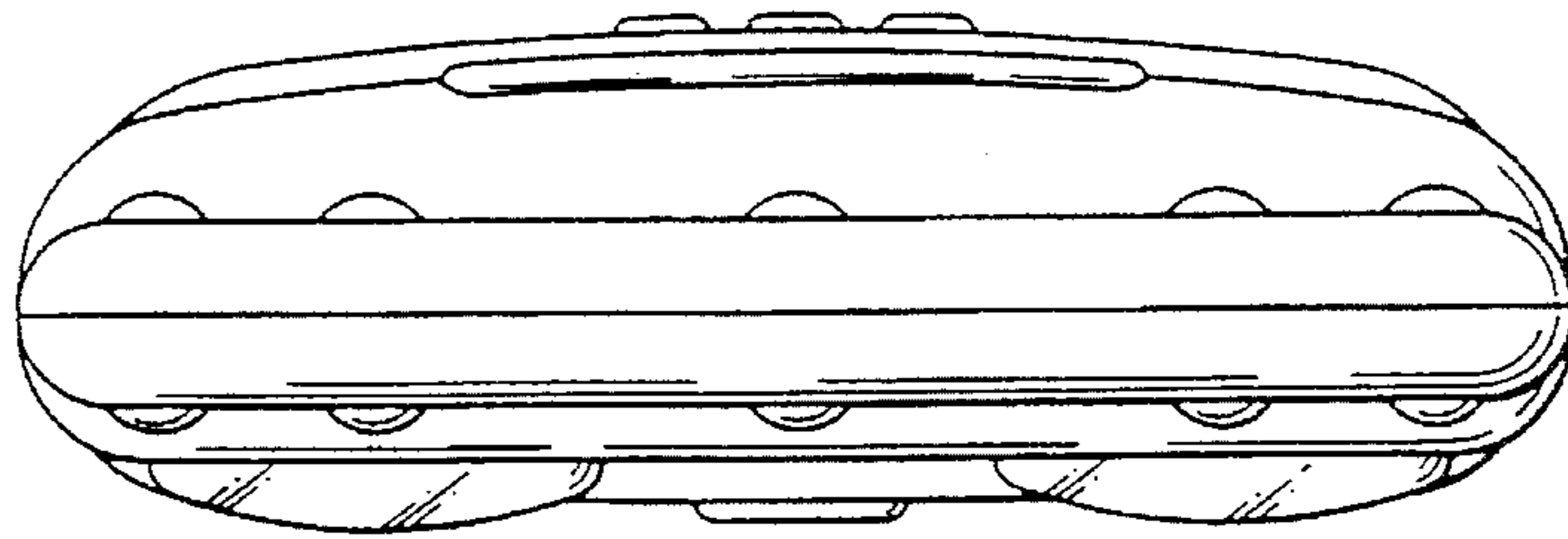


Fig. 4

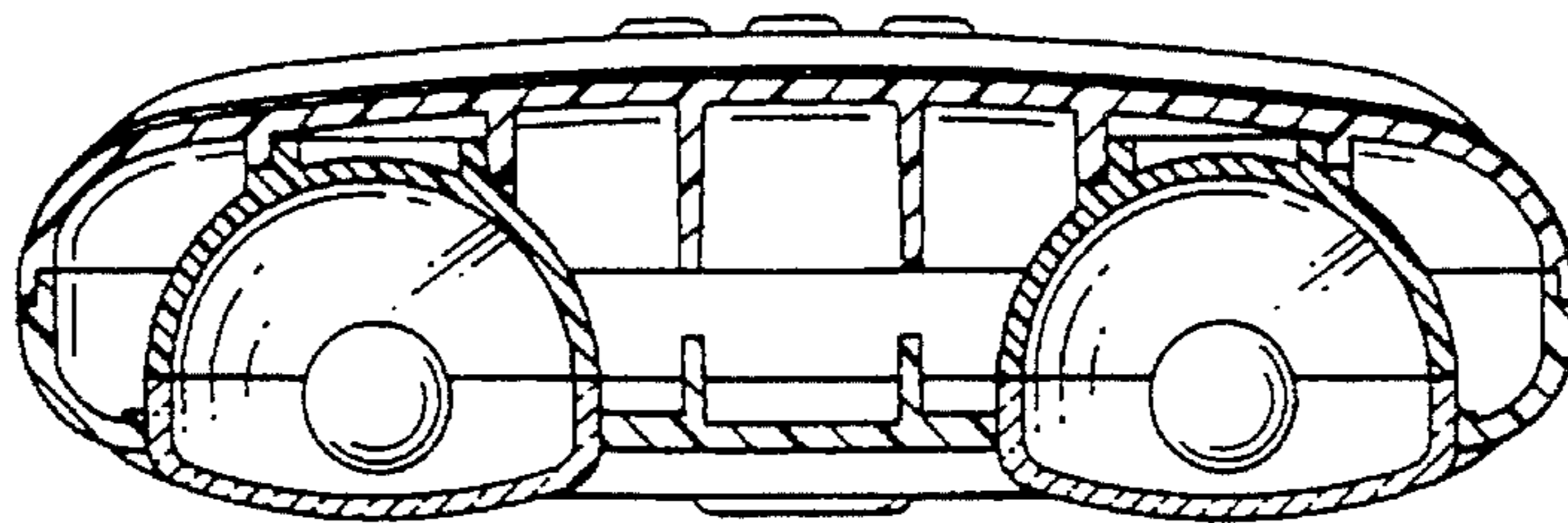


Fig. 5

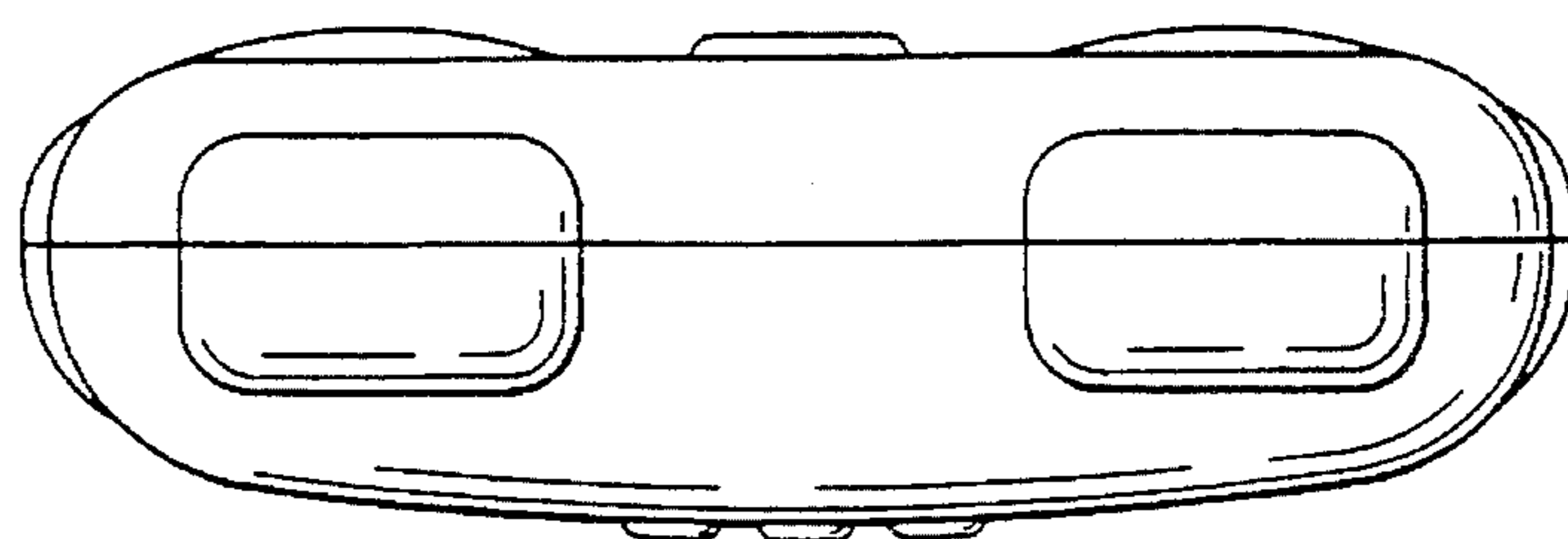


Fig. 6

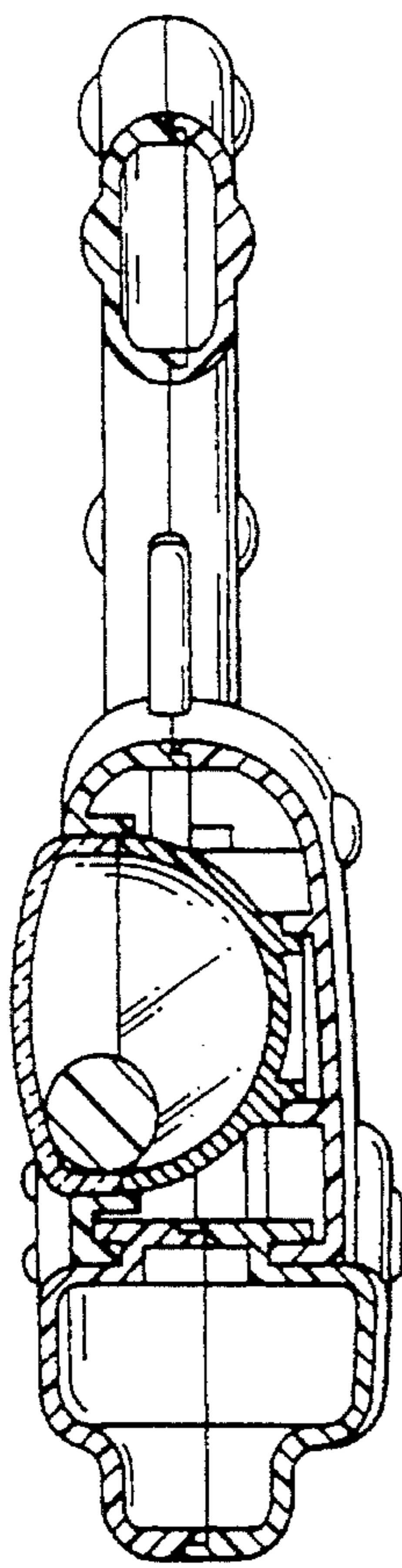


Fig. 7

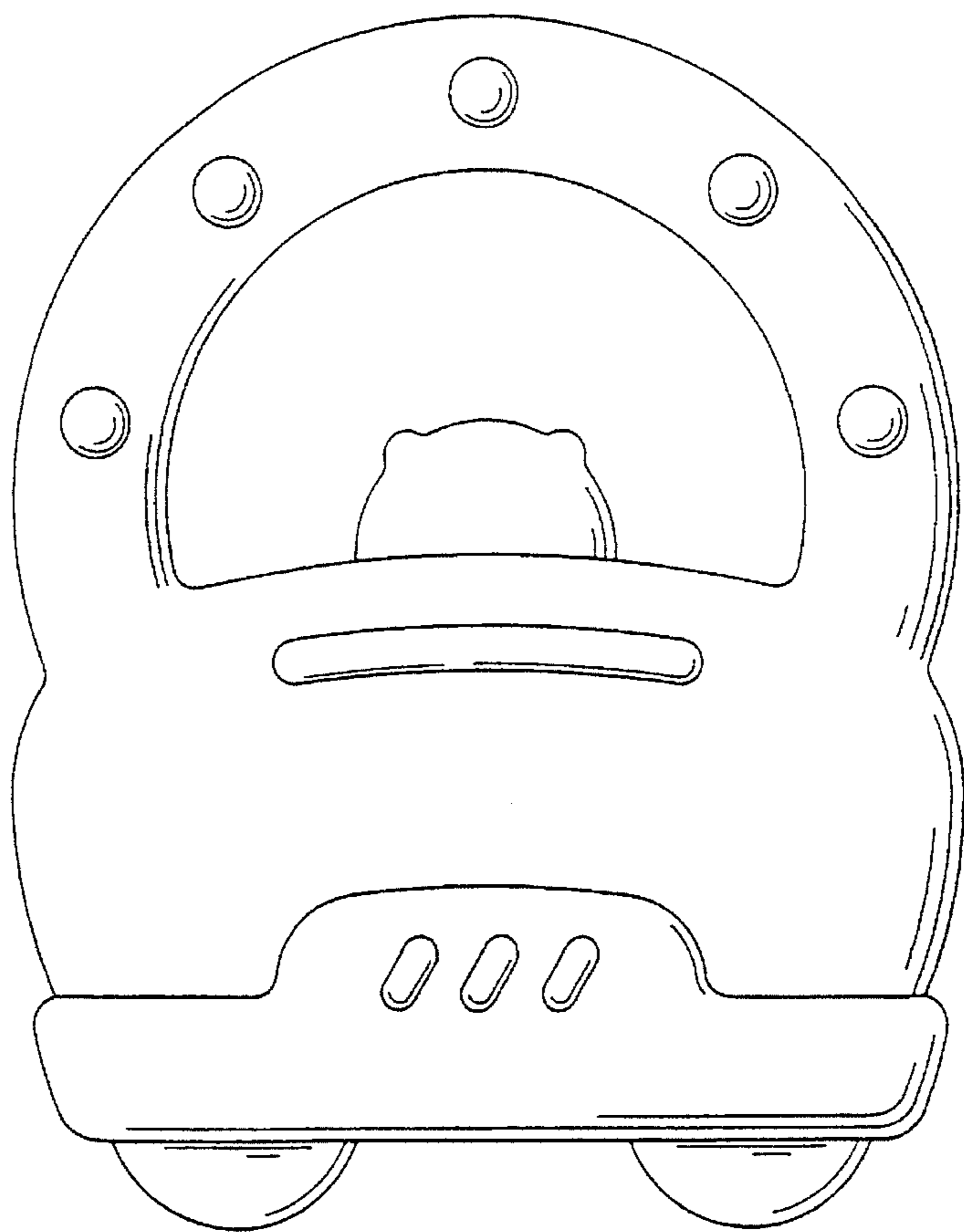


Fig. 8

