



US00D366286S

# United States Patent [19] Kino

[11] Patent Number: Des. 366,286

[45] Date of Patent: \*\*Jan. 16, 1996

[54] STACKING TOY

[75] Inventor: **Moriya Kino**, Yokohama, Japan

[73] Assignee: **Royal Co., Ltd.**, Japan

[\*\*] Term: **14 Years**

[21] Appl. No.: **32,852**

[22] Filed: **Dec. 30, 1994**

[52] U.S. Cl. .... **D21/59**; D21/66; D21/105

[58] Field of Search ..... D21/59, 66, 104,  
D21/105; 446/69, 325, 396

[56] **References Cited**

**U.S. PATENT DOCUMENTS**

D. 142,322	8/1945	Judd	.....	D21/105
D. 222,948	2/1972	Knox	.....	D21/105
D. 269,687	7/1983	Nakao et al.	.....	D21/104 X
D. 271,897	12/1983	Ma	.....	D21/104
D. 291,583	8/1987	Bateman et al.	.....	D21/59

**OTHER PUBLICATIONS**

Catalog including "Stacking Toy" (No. 846) issued 1991 by Royal Co., Ltd.

Catalog including "Stacking Toy (Boy)" and Stacking Toy issued Sep. 1992 by COMBI.

Catalog including "Stack'n' Rock" (No. 1329) and Stacking Beakers (No. 1009) issued Spring/Summer 1989 by Early

Learning Center.

*Primary Examiner*—Dominic Simone  
*Attorney, Agent, or Firm*—Ostrolenk, Faber, Gerb & Soffen

[57] **CLAIM**

The ornamental design for a stacking toy, as shown and described.

**DESCRIPTION**

FIG. 1 is a front elevational view of a stacking toy showing my new design;

FIG. 2 is a left side elevational view thereof;

FIG. 3 is a right side elevational view thereof;

FIG. 4 is a rear elevational view thereof;

FIG. 5 is a top plan view thereof;

FIG. 6 is a bottom plan view thereof;

FIG. 7 is a cross-sectional view taken along a line VII—VII in FIG. 3;

FIG. 8 is a top plan view of a supporting column comprising the stacking toy;

FIG. 9 is a front elevational view thereof;

FIG. 10 is a bottom plan view of a little bear on a ball-shaped cap;

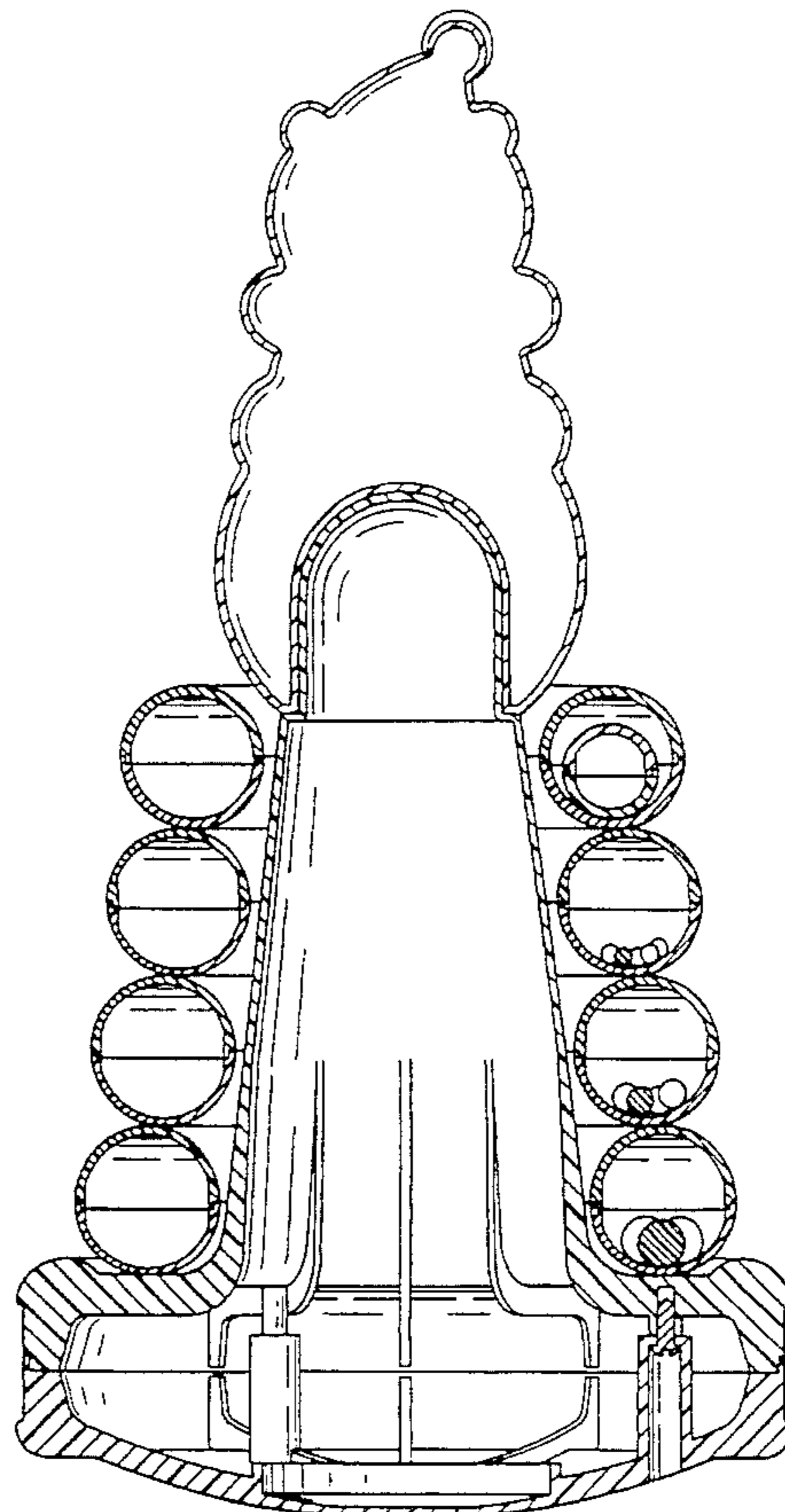
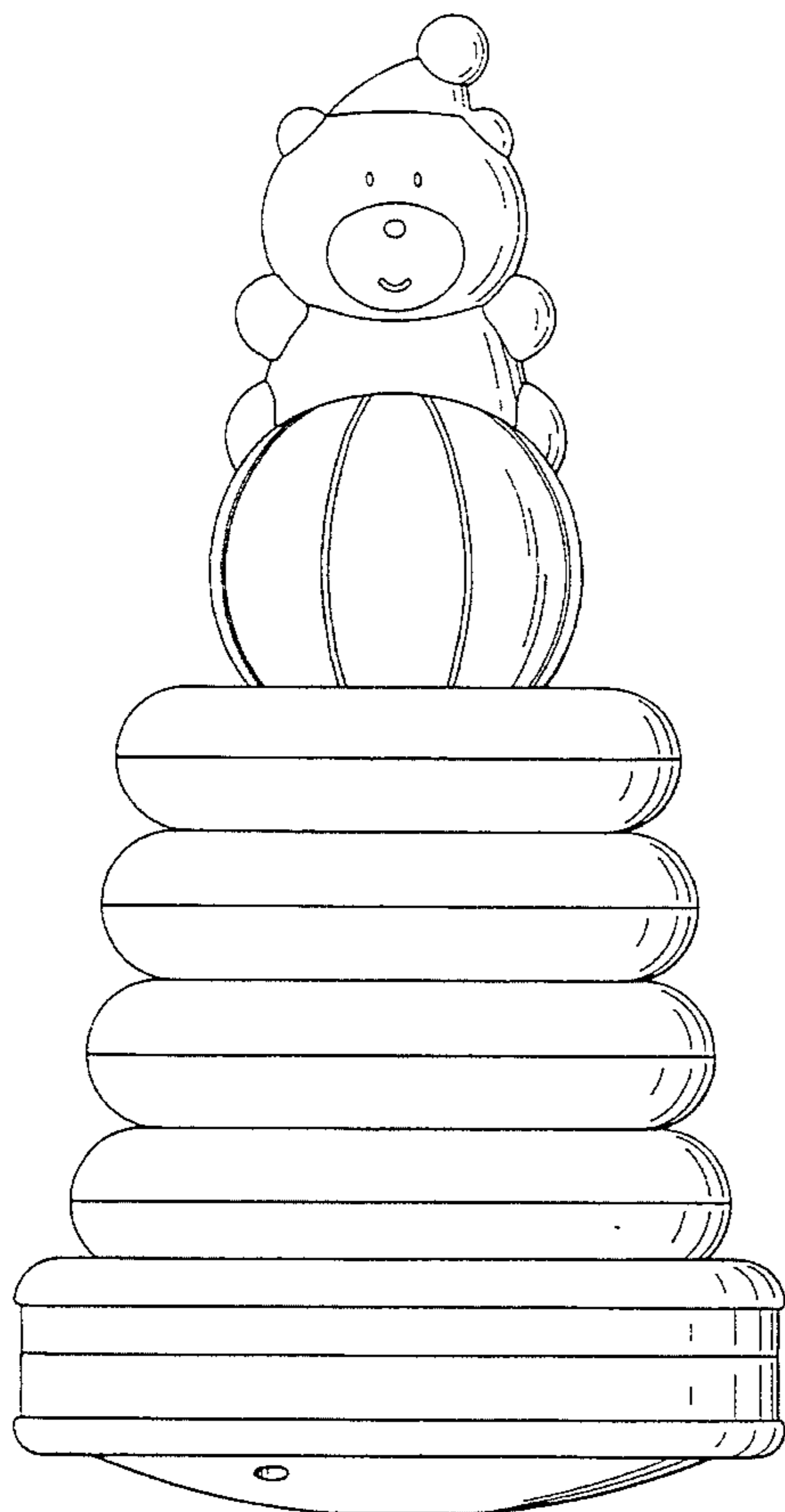
FIG. 11 is a bottom plan view of a first ring;

FIG. 12 is a bottom plan view of a second ring;

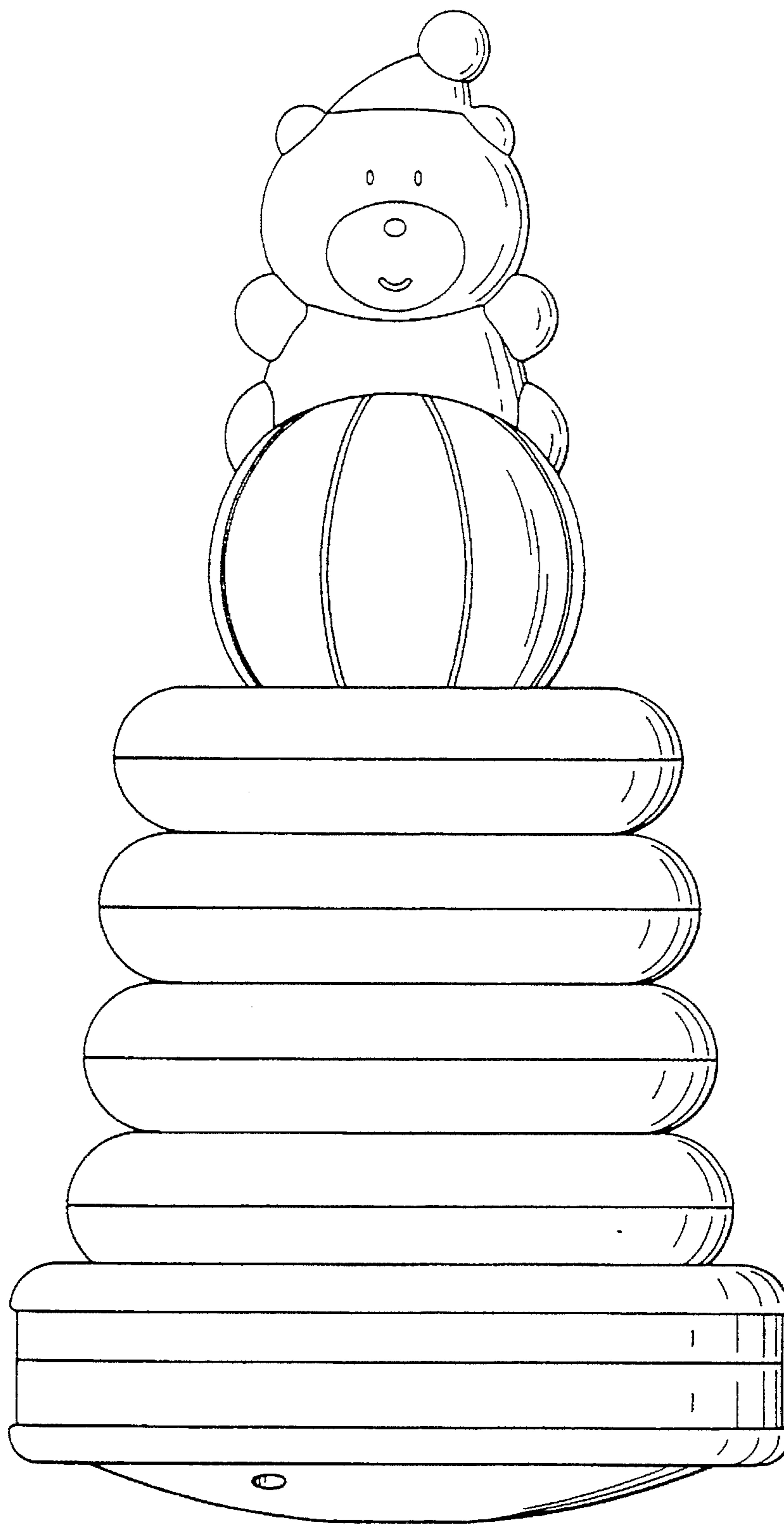
FIG. 13 is a bottom plan view of a third ring; and,

FIG. 14 is a bottom plan view of a fourth ring.

**1 Claim, 9 Drawing Sheets**



*Fig. 1*



*Fig. 2*

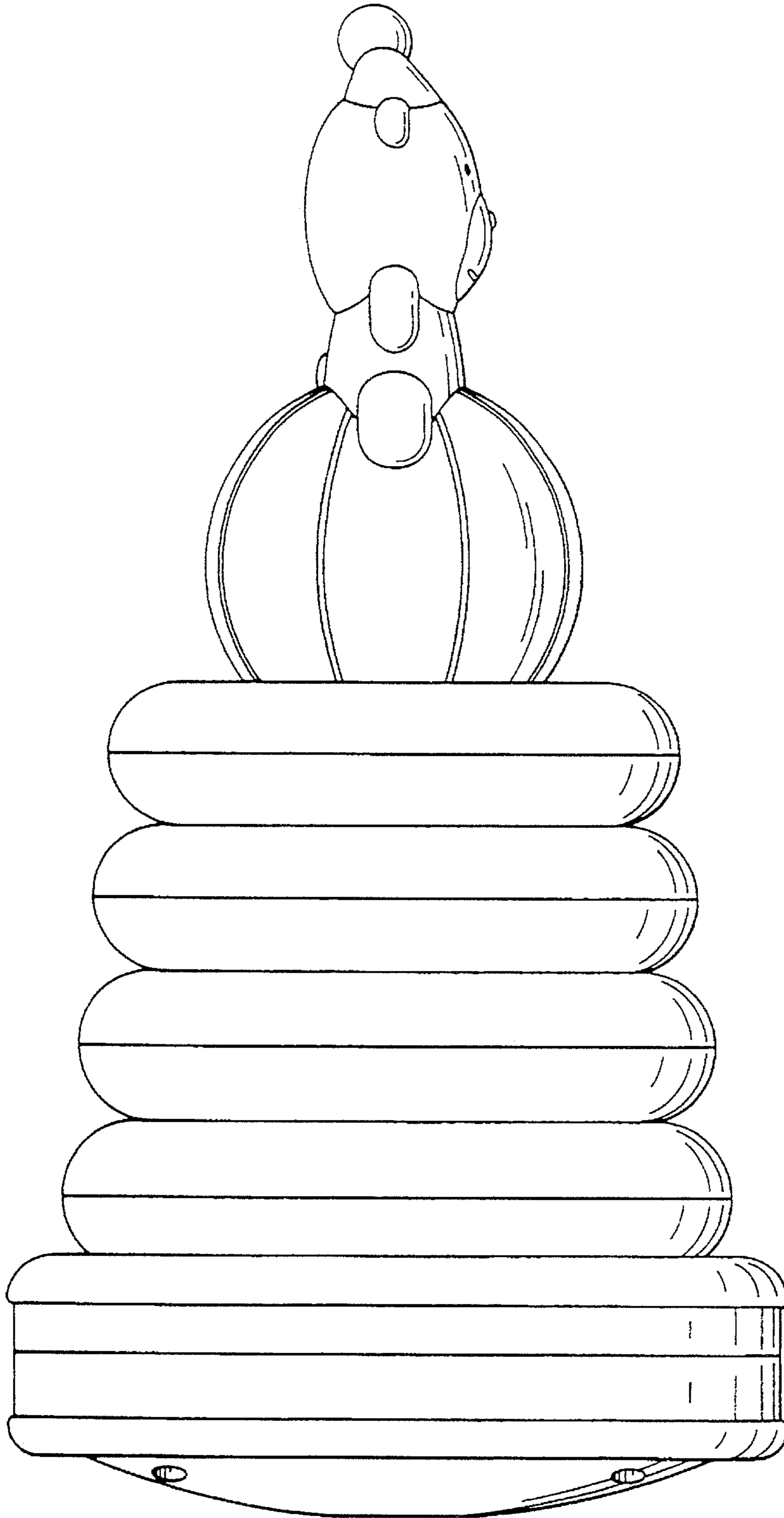
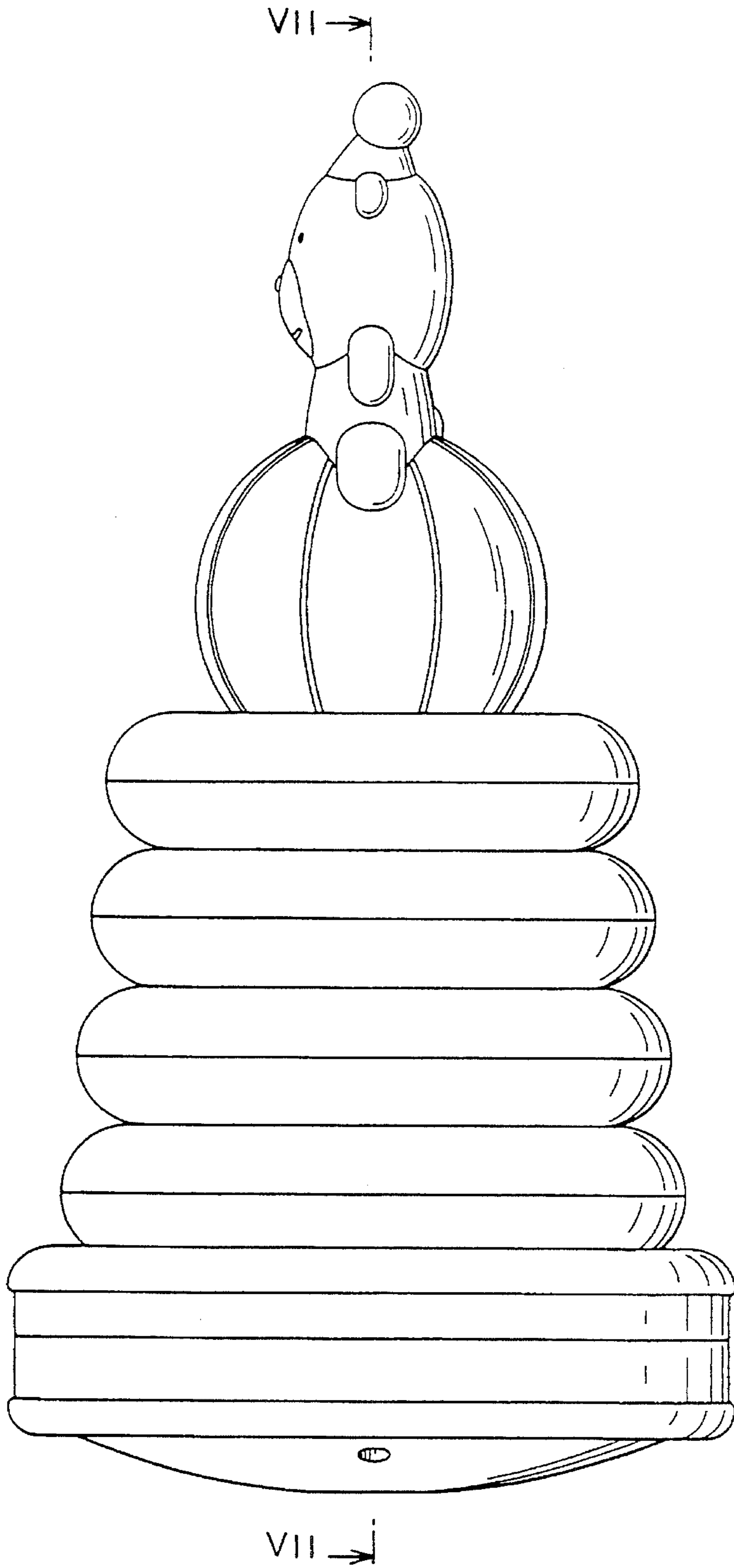
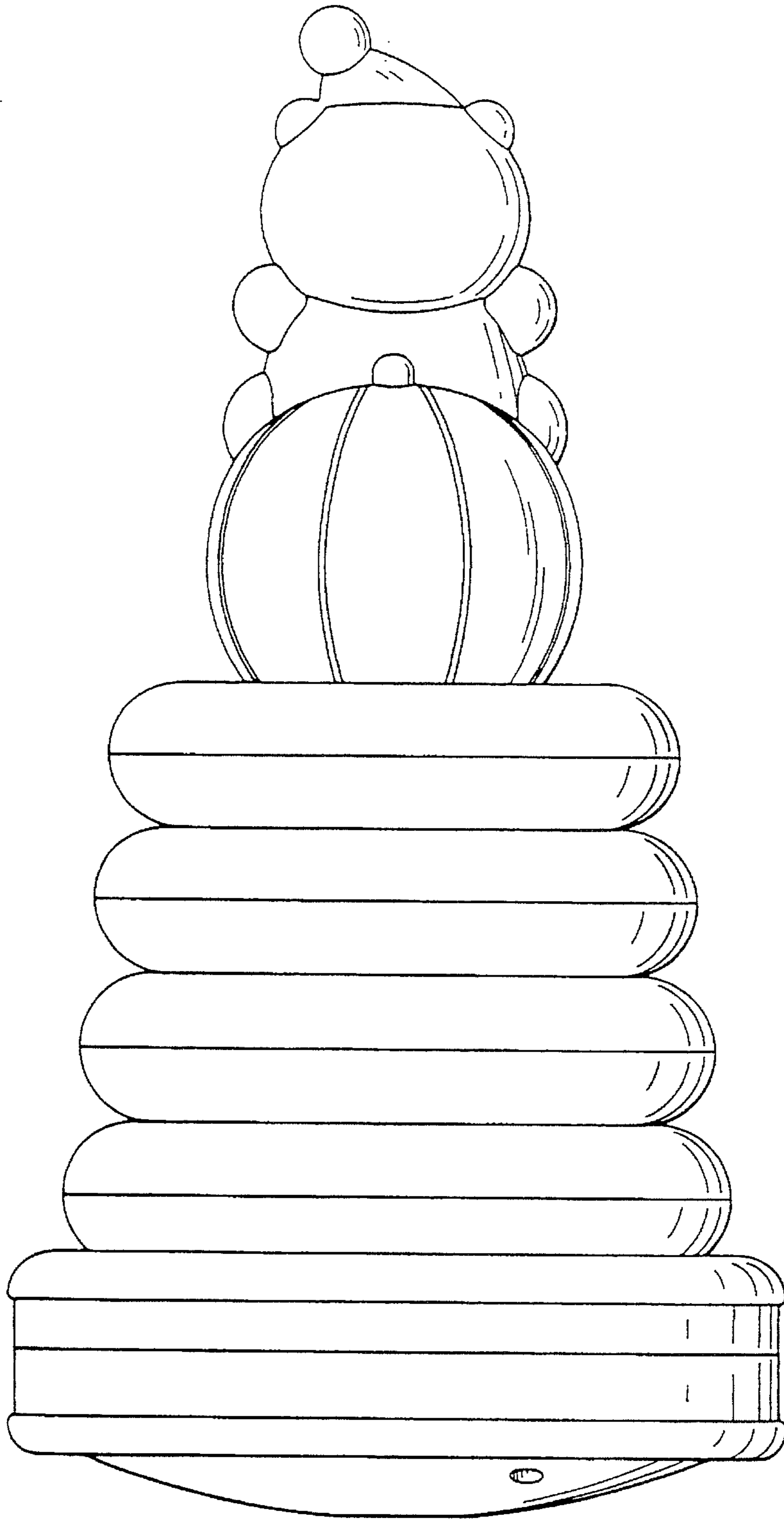


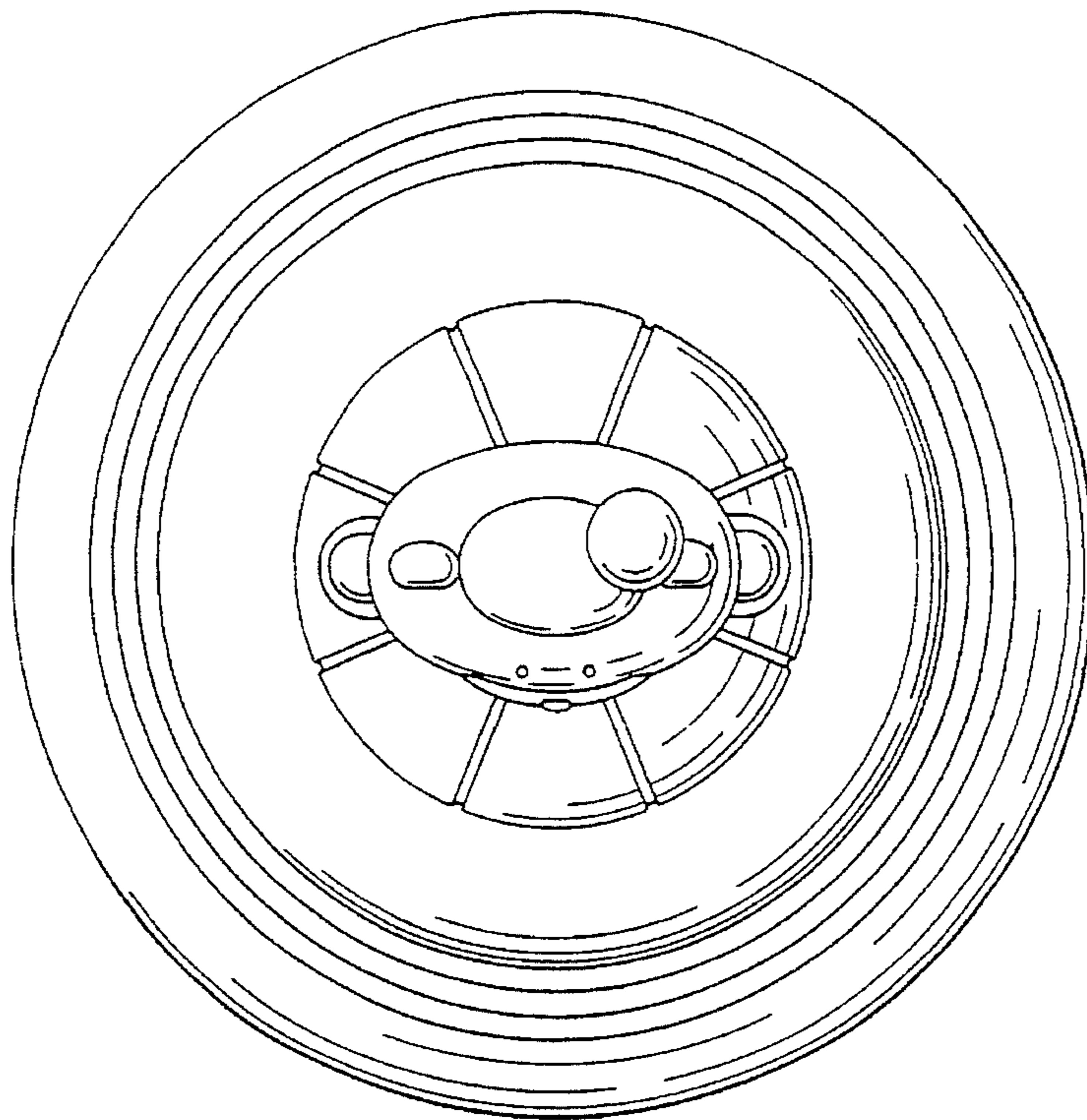
Fig. 3



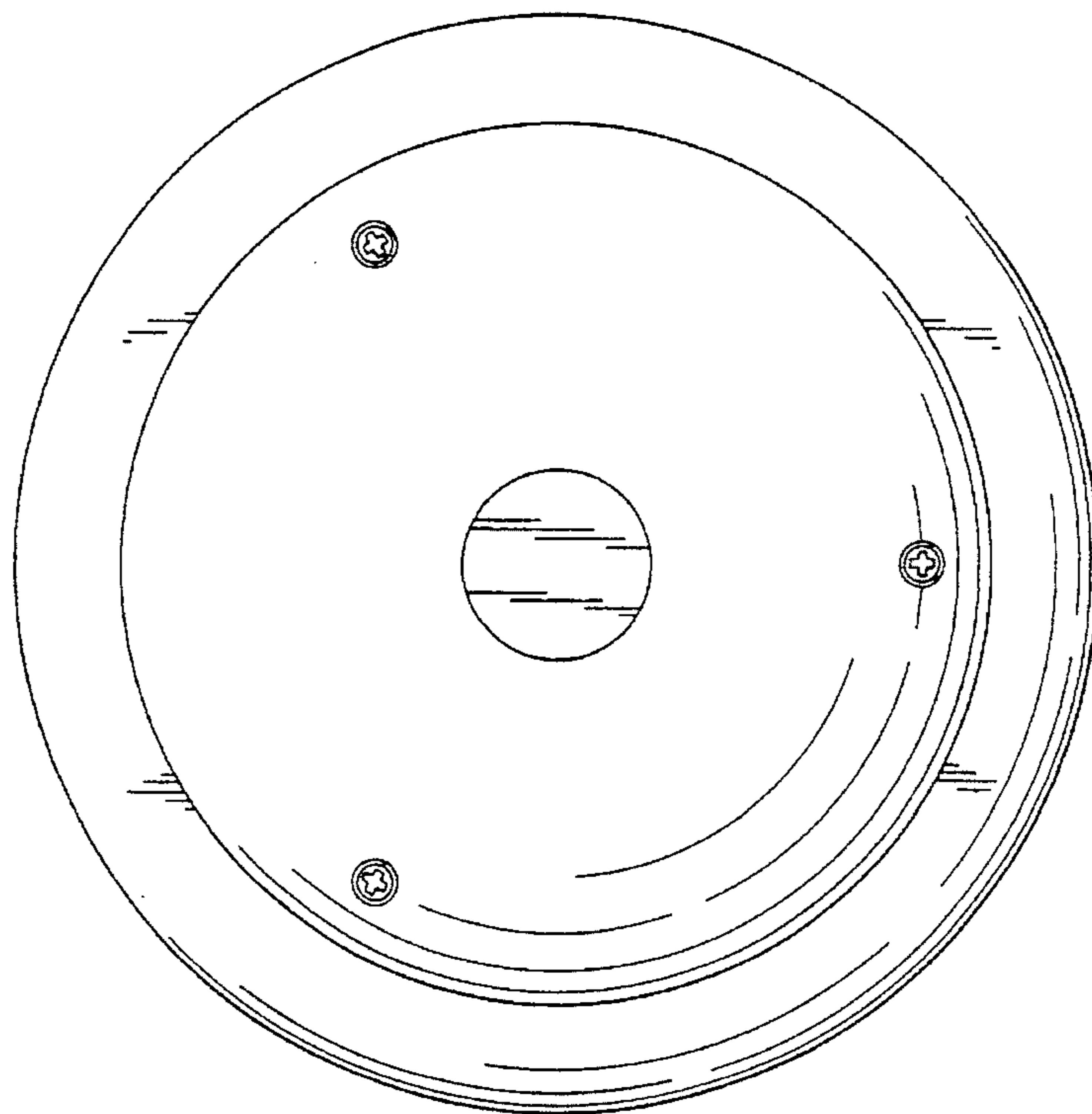
*Fig. 4*



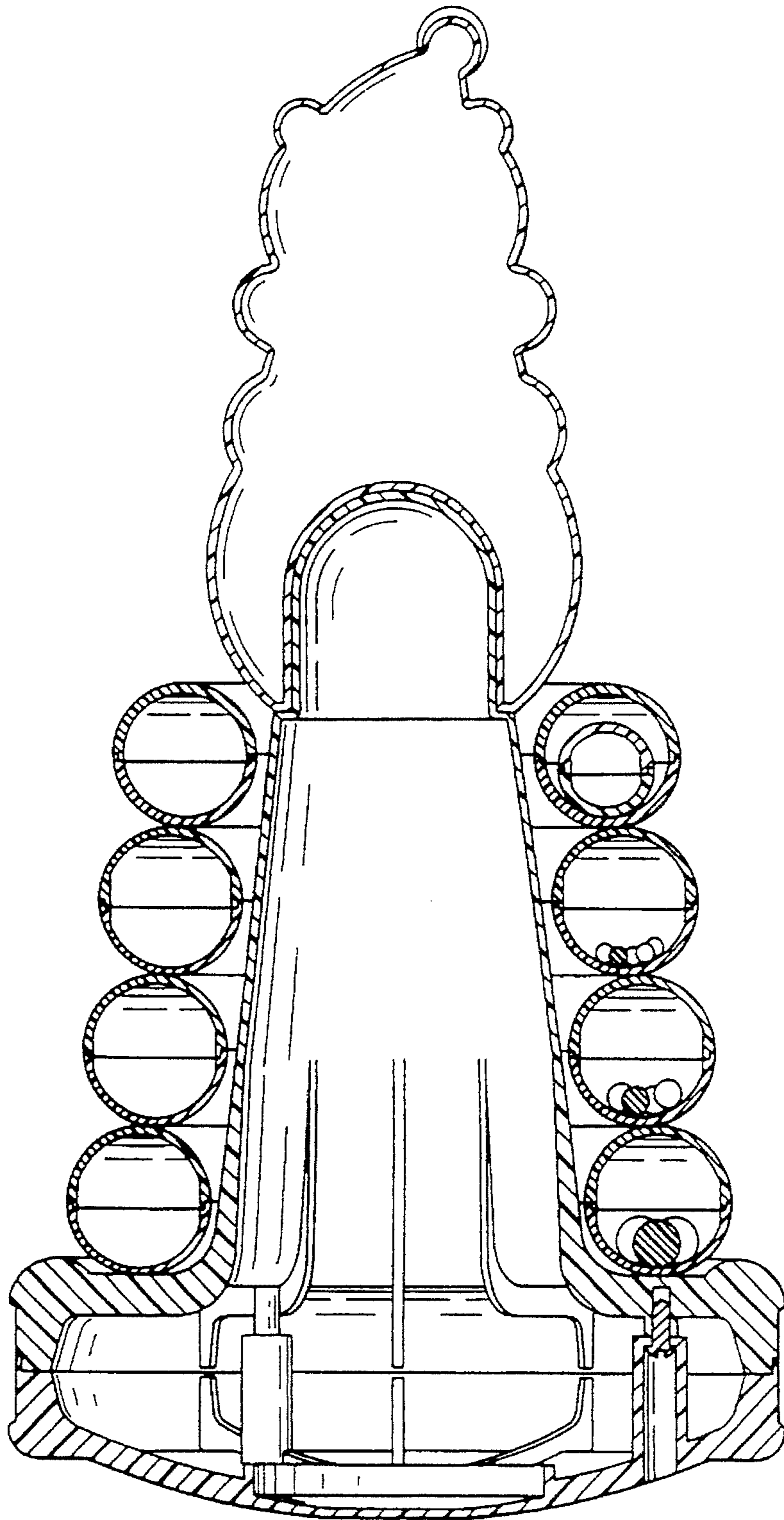
*Fig. 5*



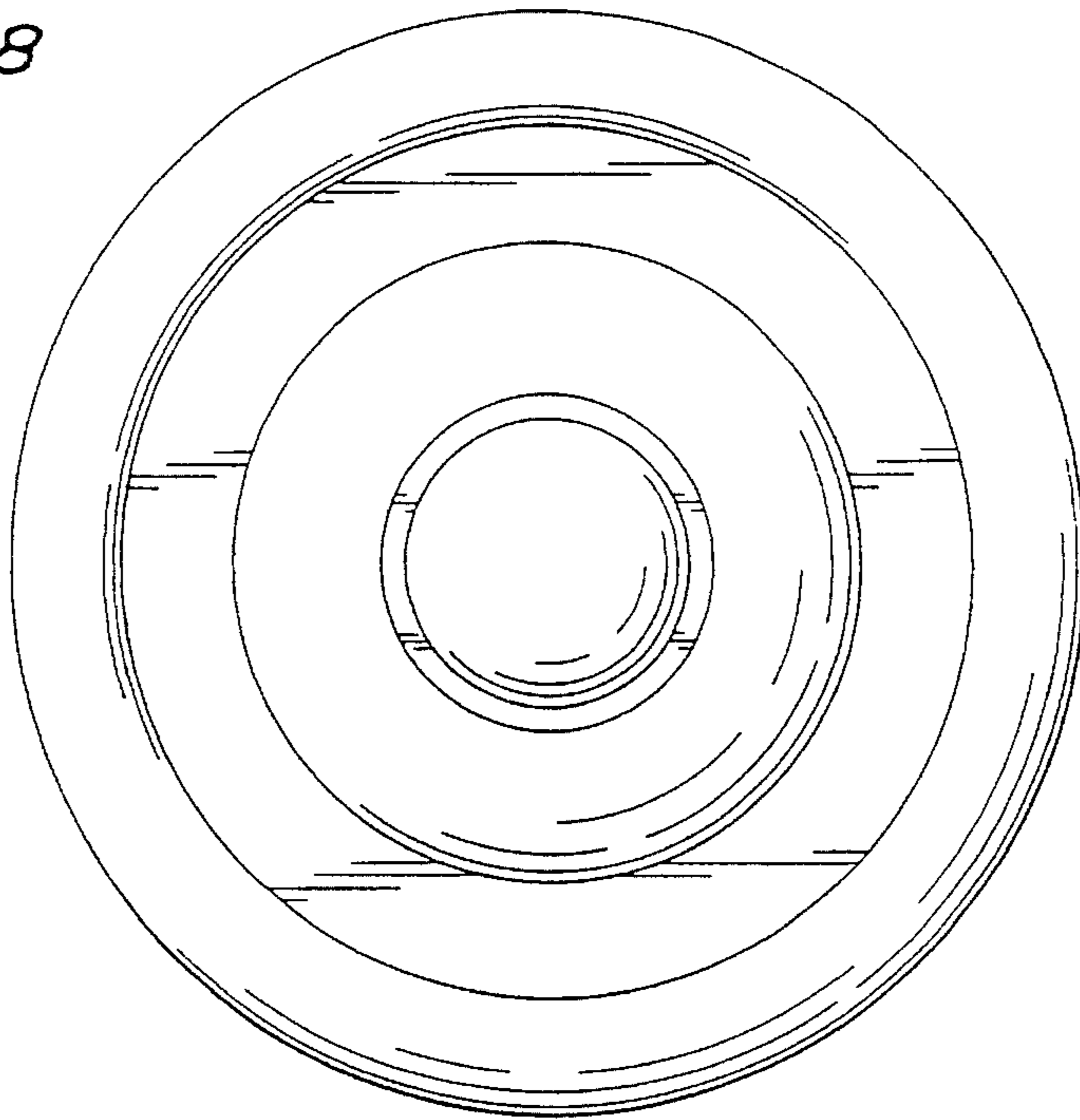
*Fig. 6*



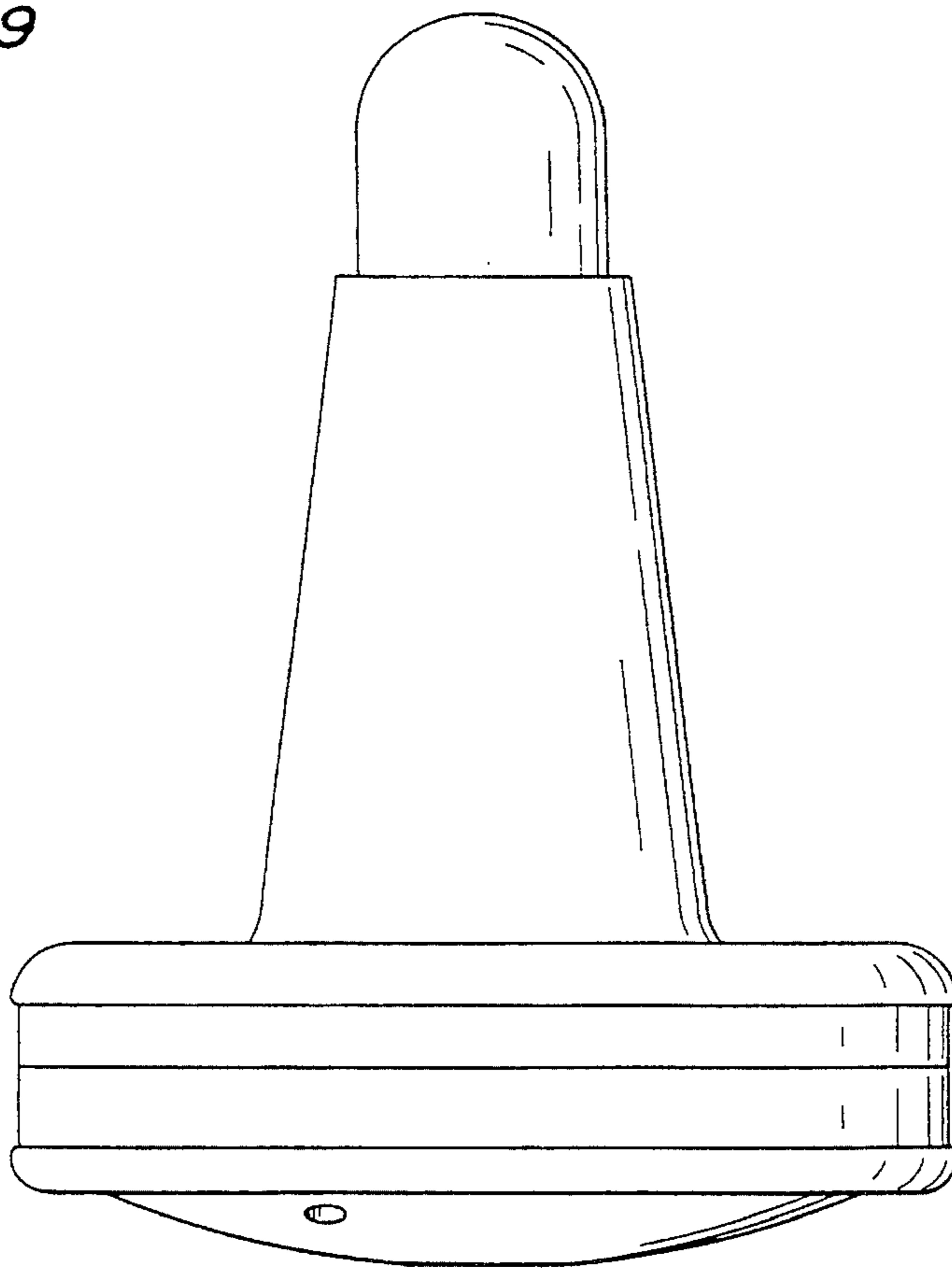
*Fig. 7*



*Fig. 8*

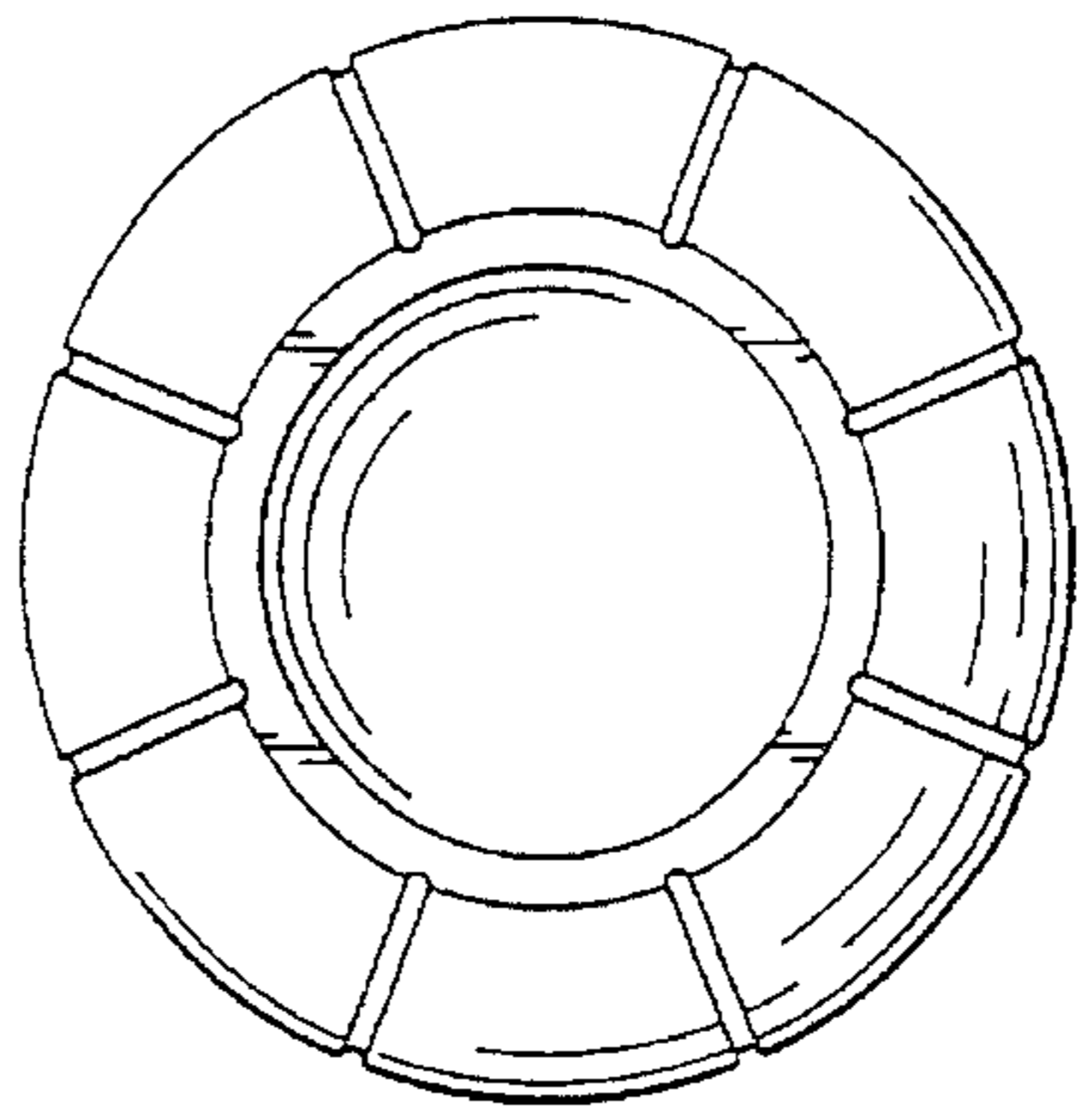


*Fig. 9*

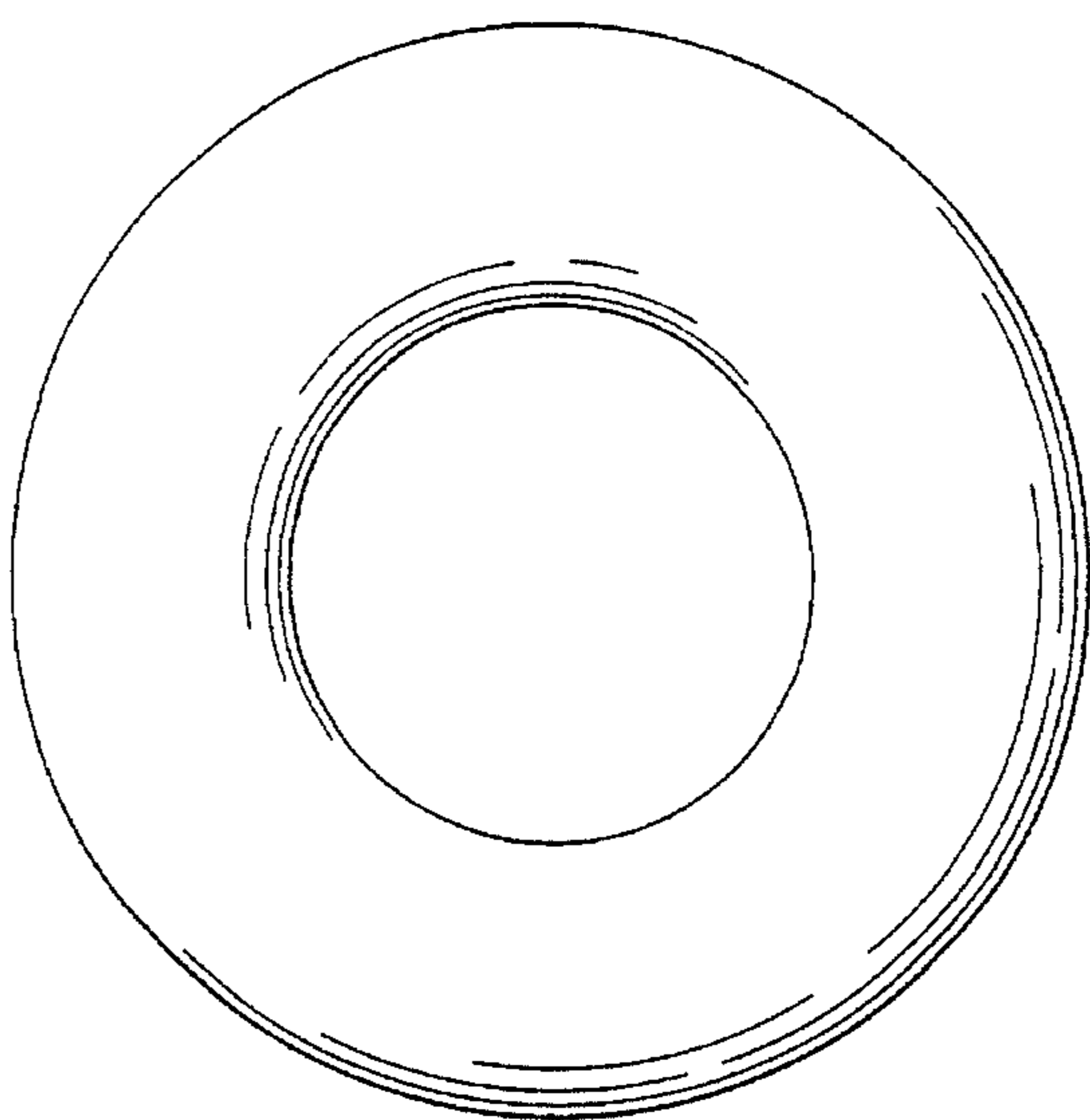




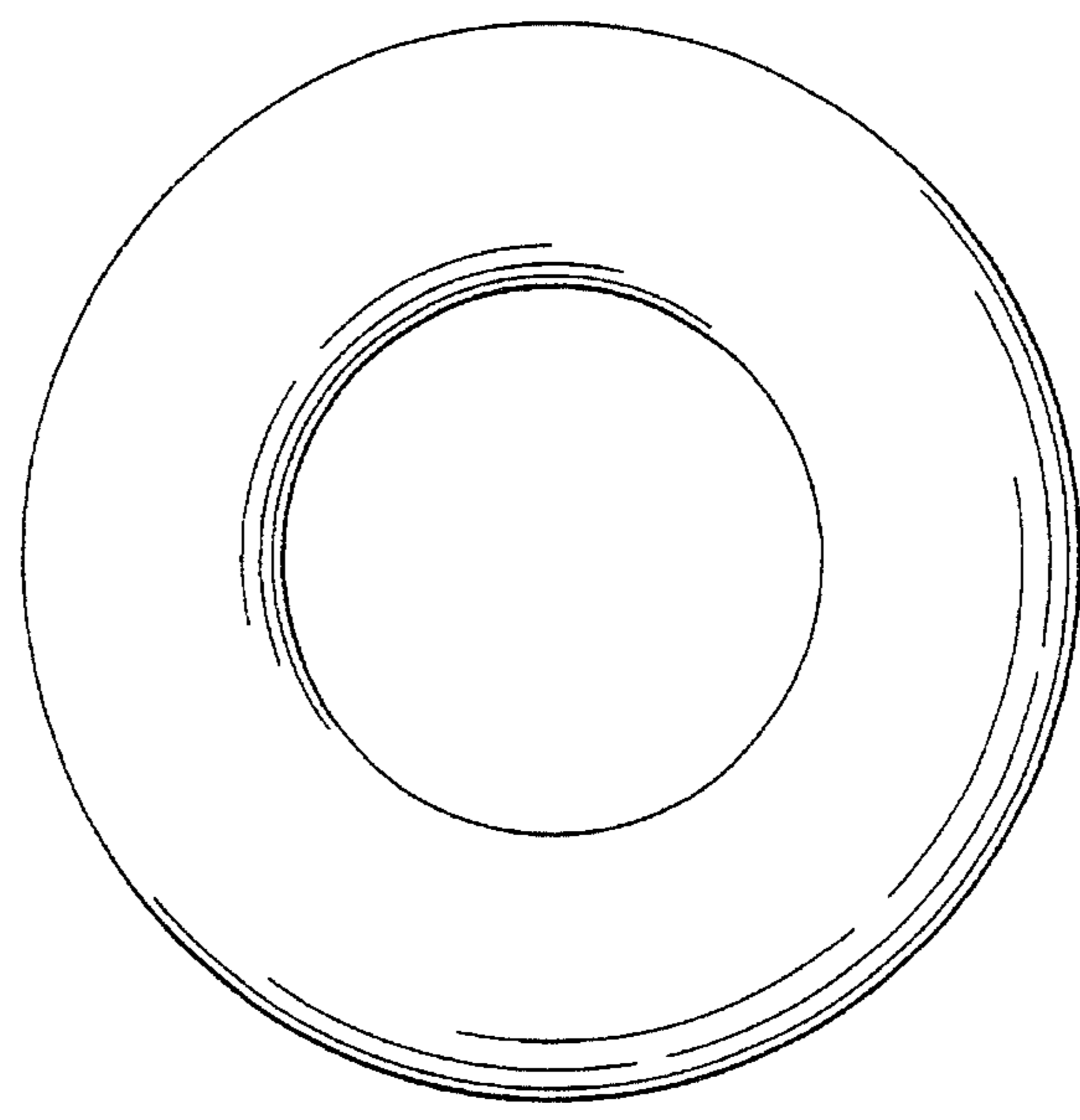
*Fig. 10*



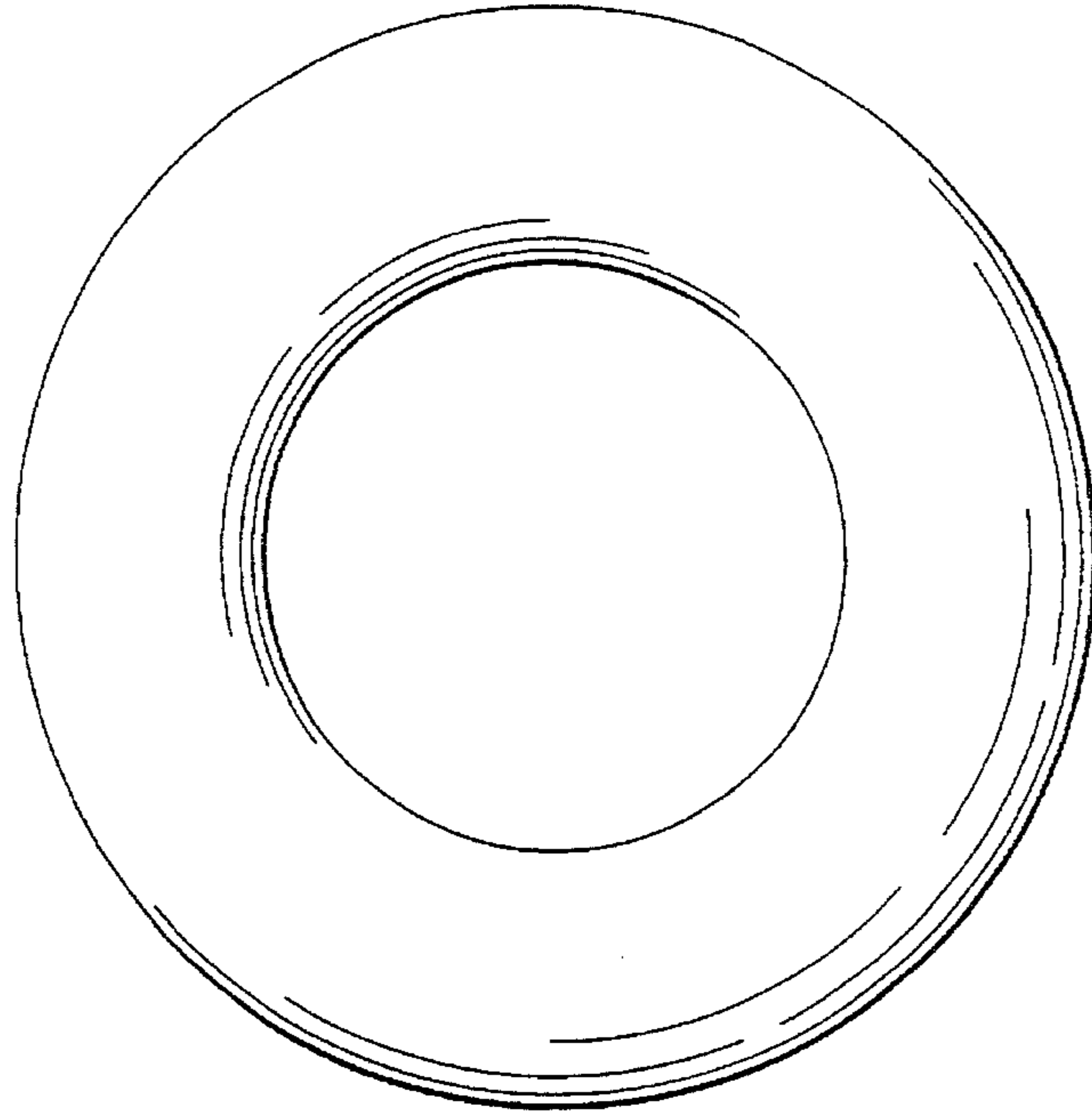
*Fig. 11*



*Fig. 12*



*Fig. 13*



*Fig. 14*

