



US00D366281S

United States Patent [19]
Sakanishi et al.

[11] **Patent Number: Des. 366,281**
[45] **Date of Patent: **Jan. 16, 1996**

[54] **TRANSFER TAPE HOLDER**
[75] Inventors: **Yutaka Sakanishi; Kiyofumi Hayashi,**
both of Osaka, Japan
[73] Assignee: **Fuji Copian Co., Ltd.,** Osaka, Japan
[**] Term: **14 Years**
[21] Appl. No.: **15,463**
[22] Filed: **Nov. 17, 1993**
[30] **Foreign Application Priority Data**
May 21, 1993 [JP] Japan 5-14733
[52] **U.S. Cl.** **D19/69; D19/67**
[58] **Field of Search** D19/65, 67, 68,
D19/69, 95, 99, 100; 225/6, 7, 12, 19, 25,
34-37, 45, 54, 56, 65, 77, 89; 242/84.8,
173; 156/510, 523, 527, 384

[56] **References Cited**
U.S. PATENT DOCUMENTS
D. 238,360 1/1976 Gibbs D19/69
D. 298,440 11/1988 Kida D19/69
D. 310,687 9/1990 Berracasa D19/69
D. 328,312 7/1992 Halm D19/69
D. 328,471 8/1992 Halm D19/67 X
D. 329,463 9/1992 Halm D19/67 X
2,582,979 1/1952 Fritzinger D19/69 X
2,582,980 1/1952 Fritzinger D19/69 X
FOREIGN PATENT DOCUMENTS
611384 7/1926 France 401/88

Primary Examiner—Martie Thompson
Attorney, Agent, or Firm—Jordan and Hamburg

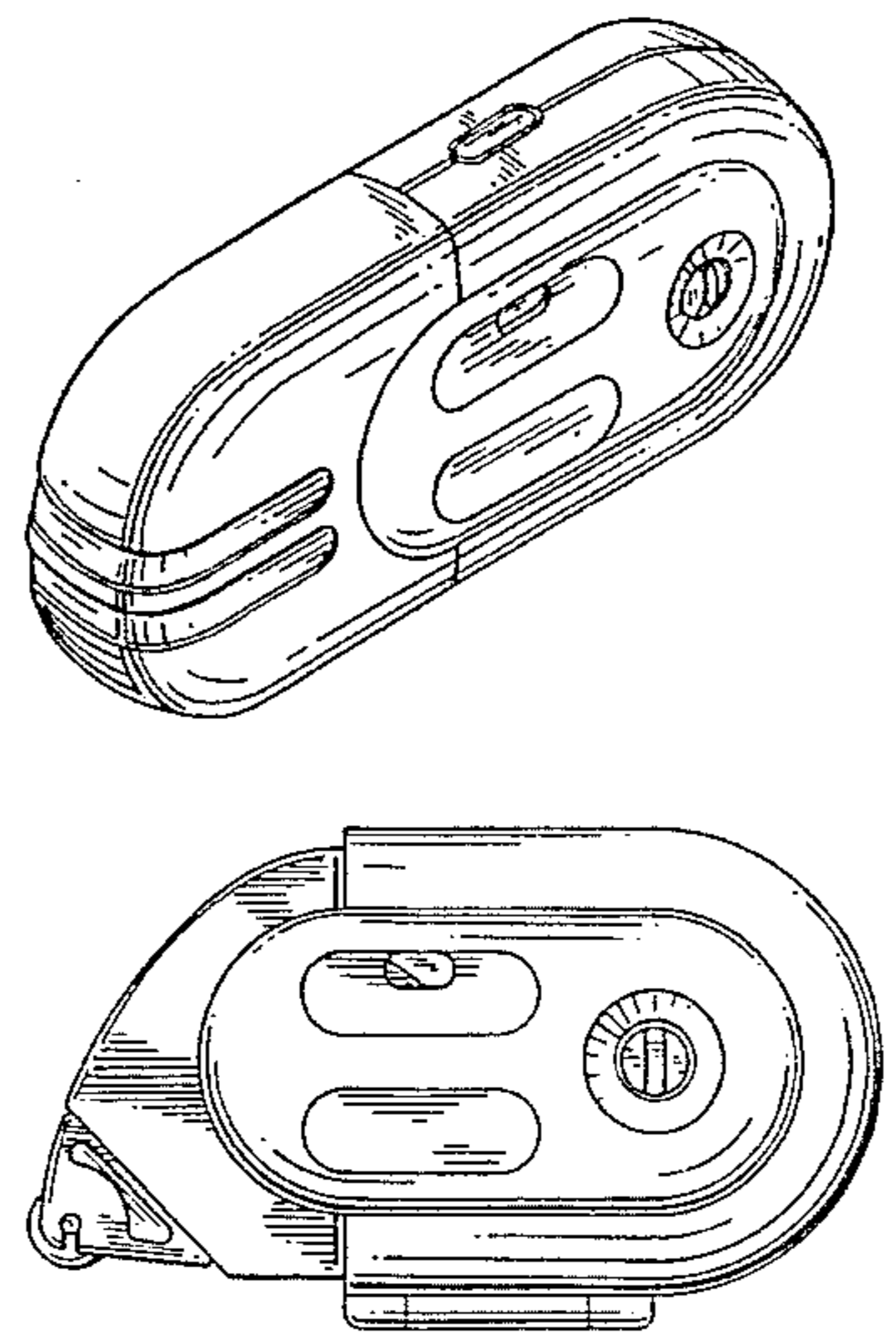
[57] **CLAIM**
The ornamental design for a transfer tape holder, as shown and described.

DESCRIPTION

FIG. 1 is a plan view of a transfer tape holder showing our

new design;
FIG. 2 is a front view thereof;
FIG. 3 is a bottom view thereof;
FIG. 4 is a left side view thereof;
FIG. 5 is a right side view thereof;
FIG. 6 is a rear view thereof;
FIG. 7 is a view showing the opened holder with the cover (or cap) member removed for convenience of illustration;
FIG. 8 is a perspective view of FIG. 1;
FIG. 9 is a plan view of the holder body with the cover (or cap) member removed for convenience of illustration;
FIG. 10 is a front view of the holder body with the cover (or cap) member removed for convenience of illustration;
FIG. 11 is a bottom view of the holder body with the cover (or cap) member removed for convenience of illustration;
FIG. 12 is a rear view of the holder body with the cover (or cap) member removed for convenience of illustration;
FIG. 13 is a left side view of the holder body with the cover (or cap) member removed for convenience of illustration;
FIG. 14 is a right side view of the holder body with the cover (or cap) member removed for convenience of illustration;
FIG. 15 is a front view of the cover (or cap) member with the holder body removed for convenience of illustration;
FIG. 16 is a left side view of the cover (or cap) member with the holder body removed for convenience of illustration;
FIG. 17 is a right side view of the cover (or cap) member with the holder body removed for convenience of illustration; and,
FIG. 18 is a plan view of the cover (or cap) member with the holder body removed for convenience of illustration.

1 Claim, 5 Drawing Sheets



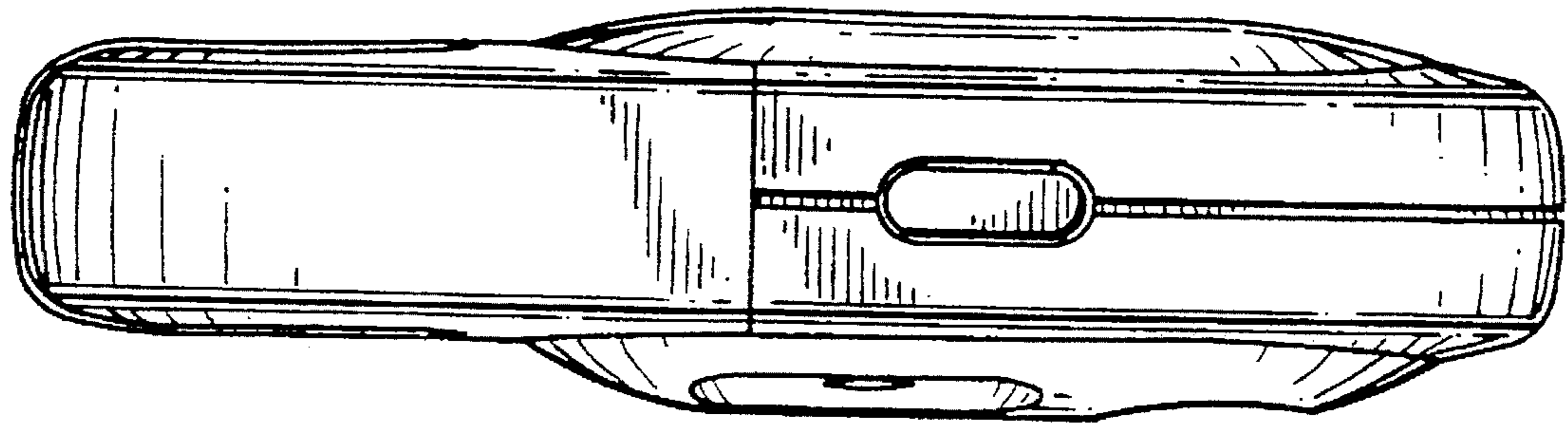


FIG. 1

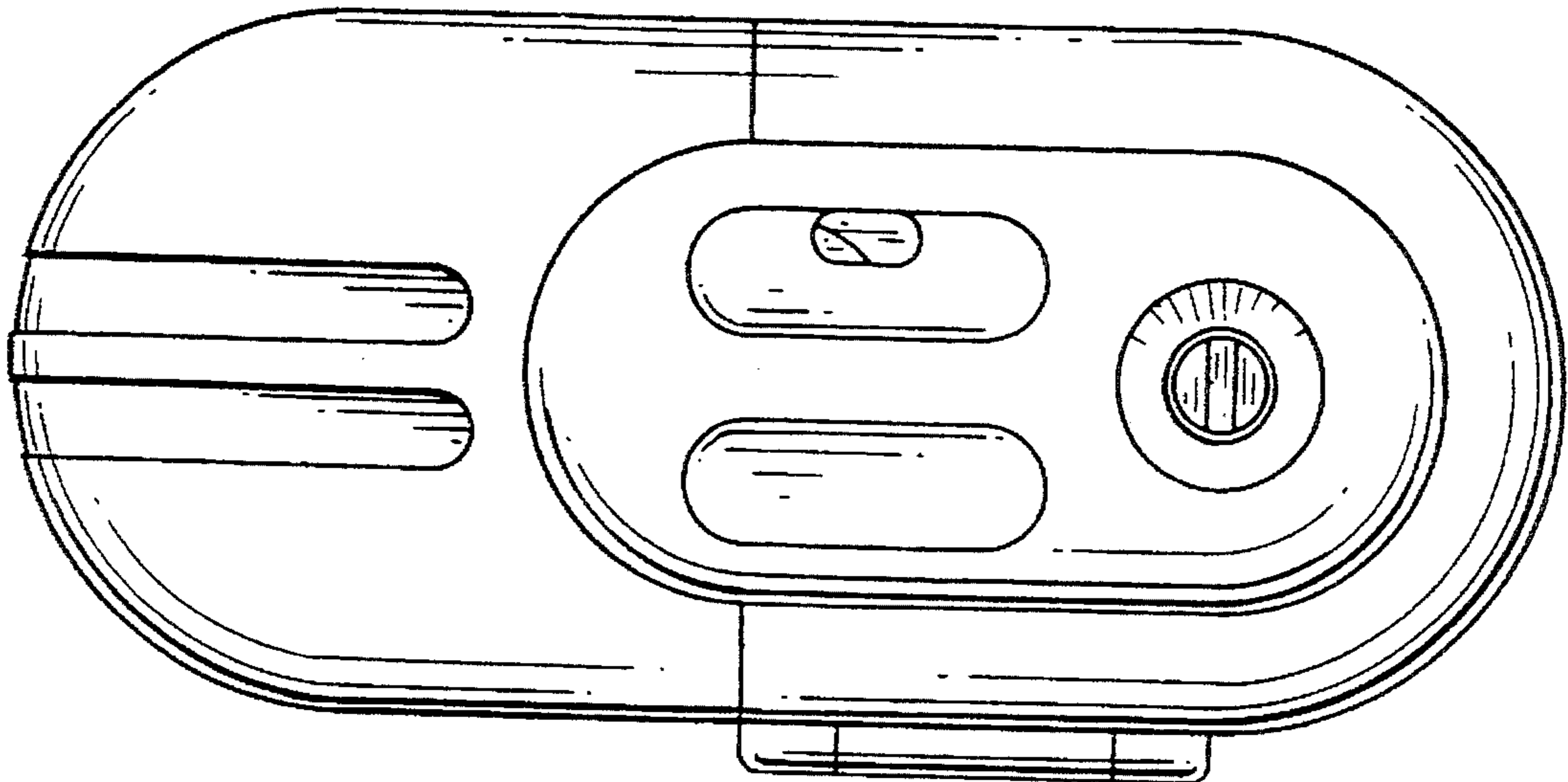


FIG. 2

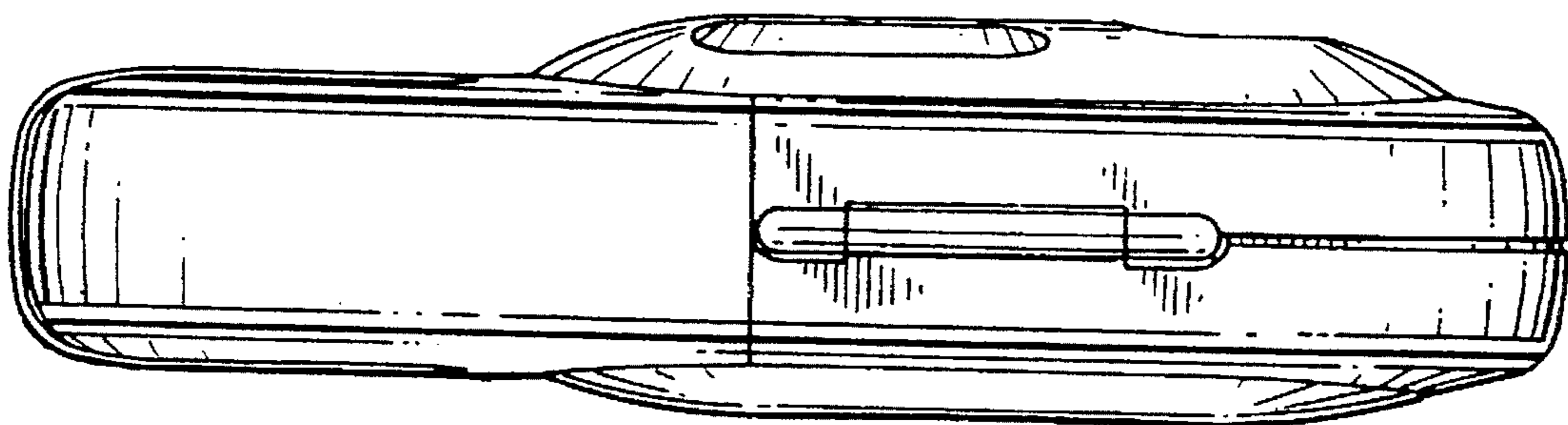


FIG. 3

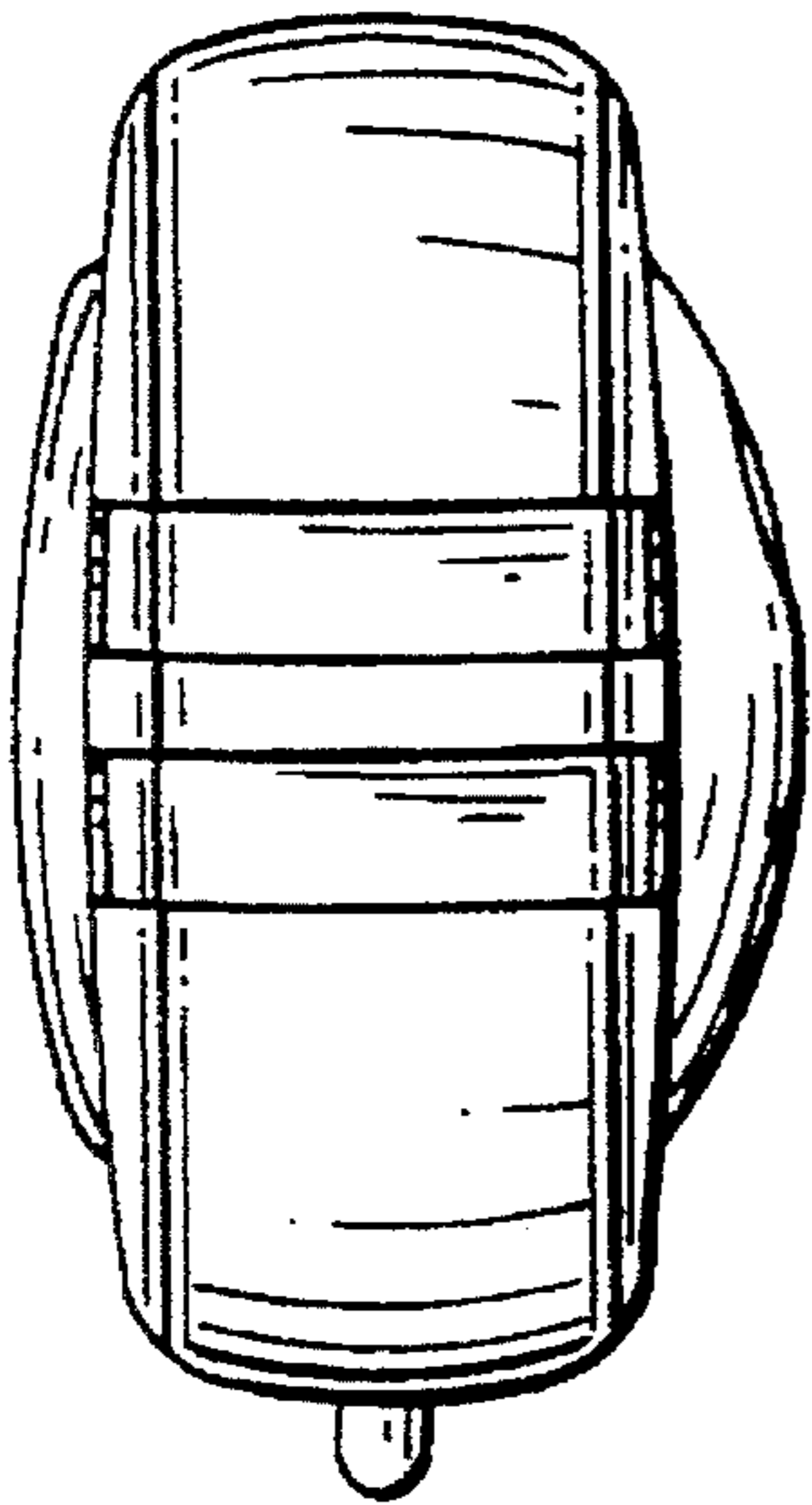


FIG. 4

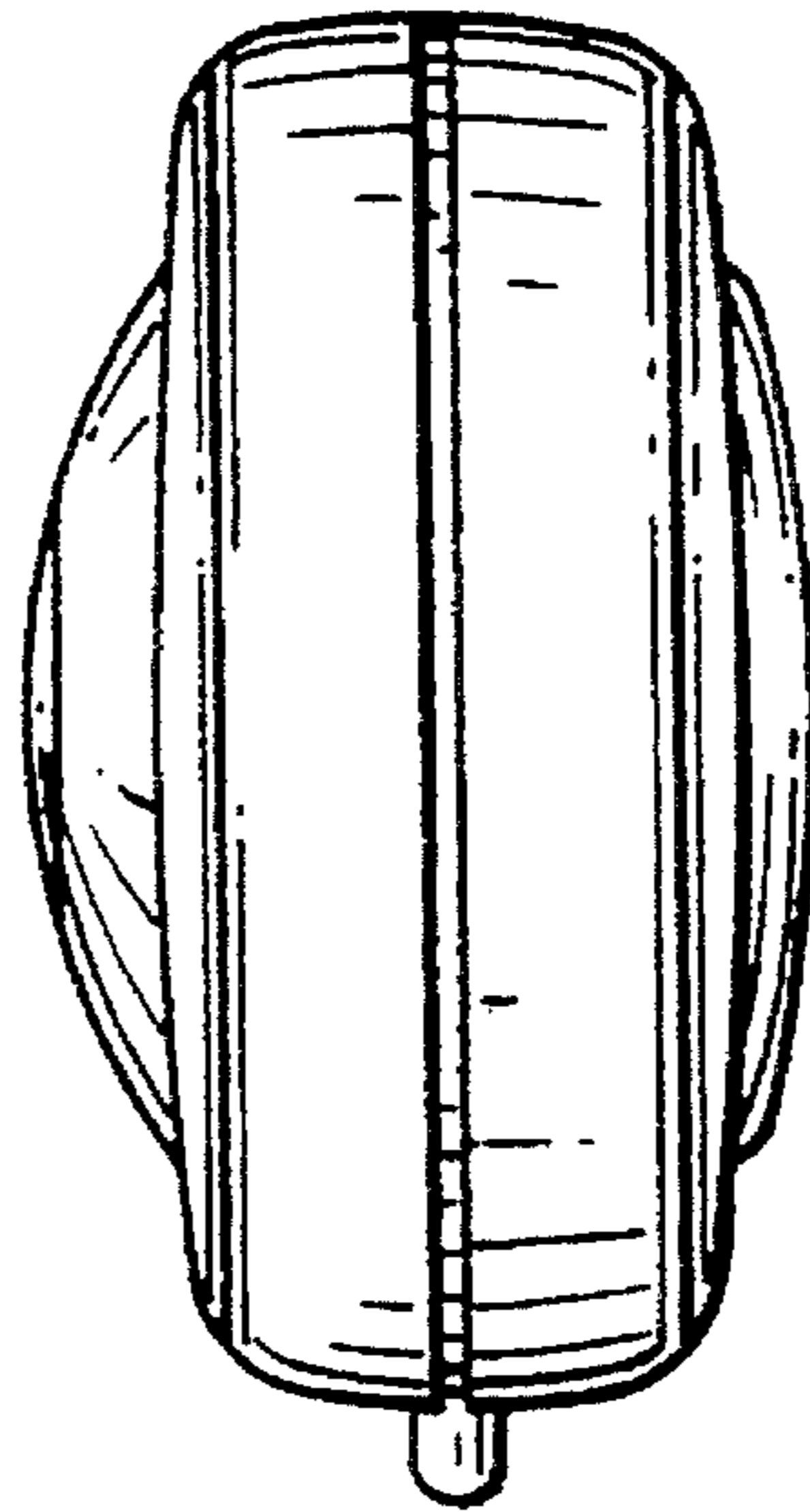


FIG. 5

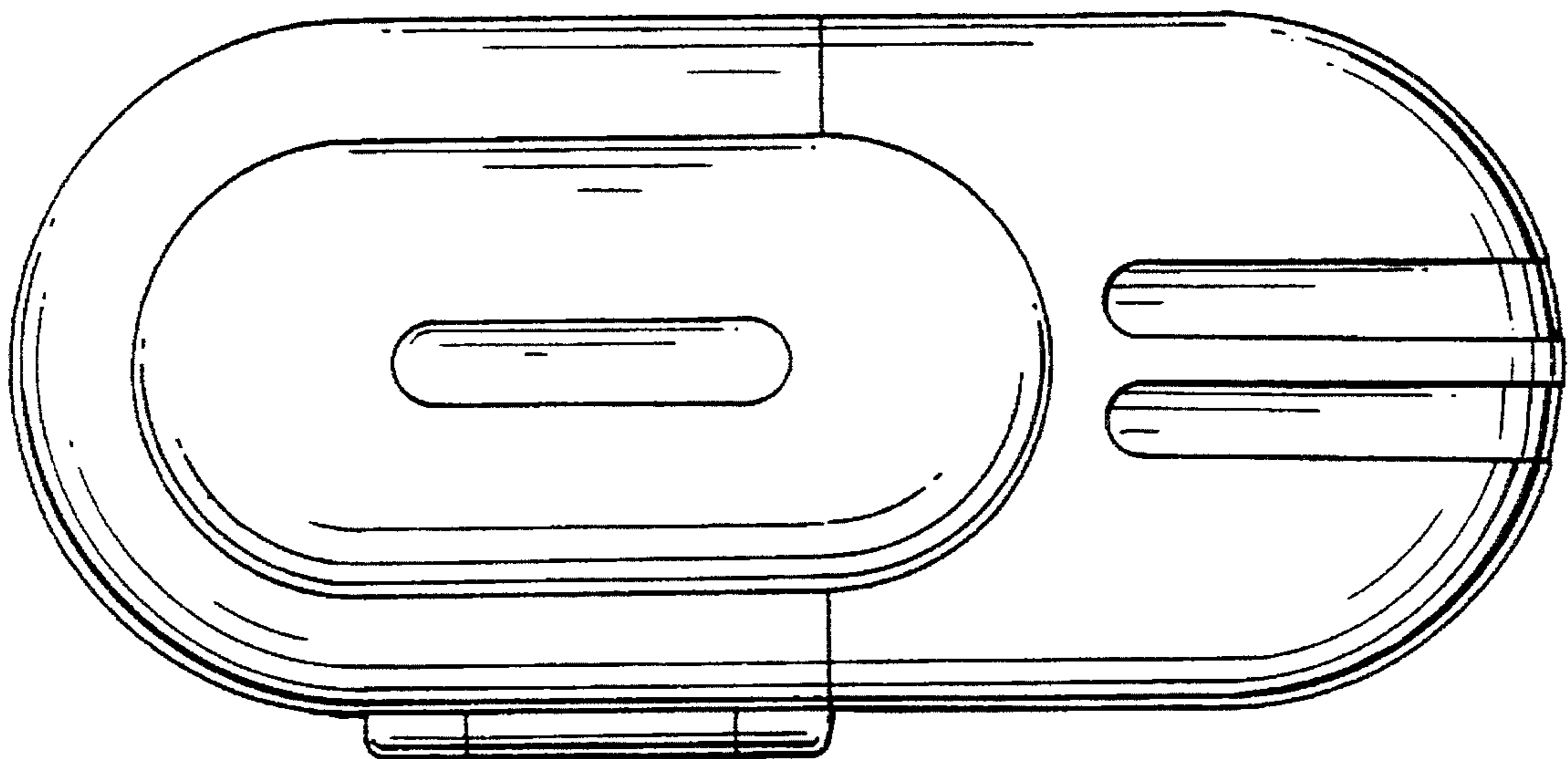


FIG. 6

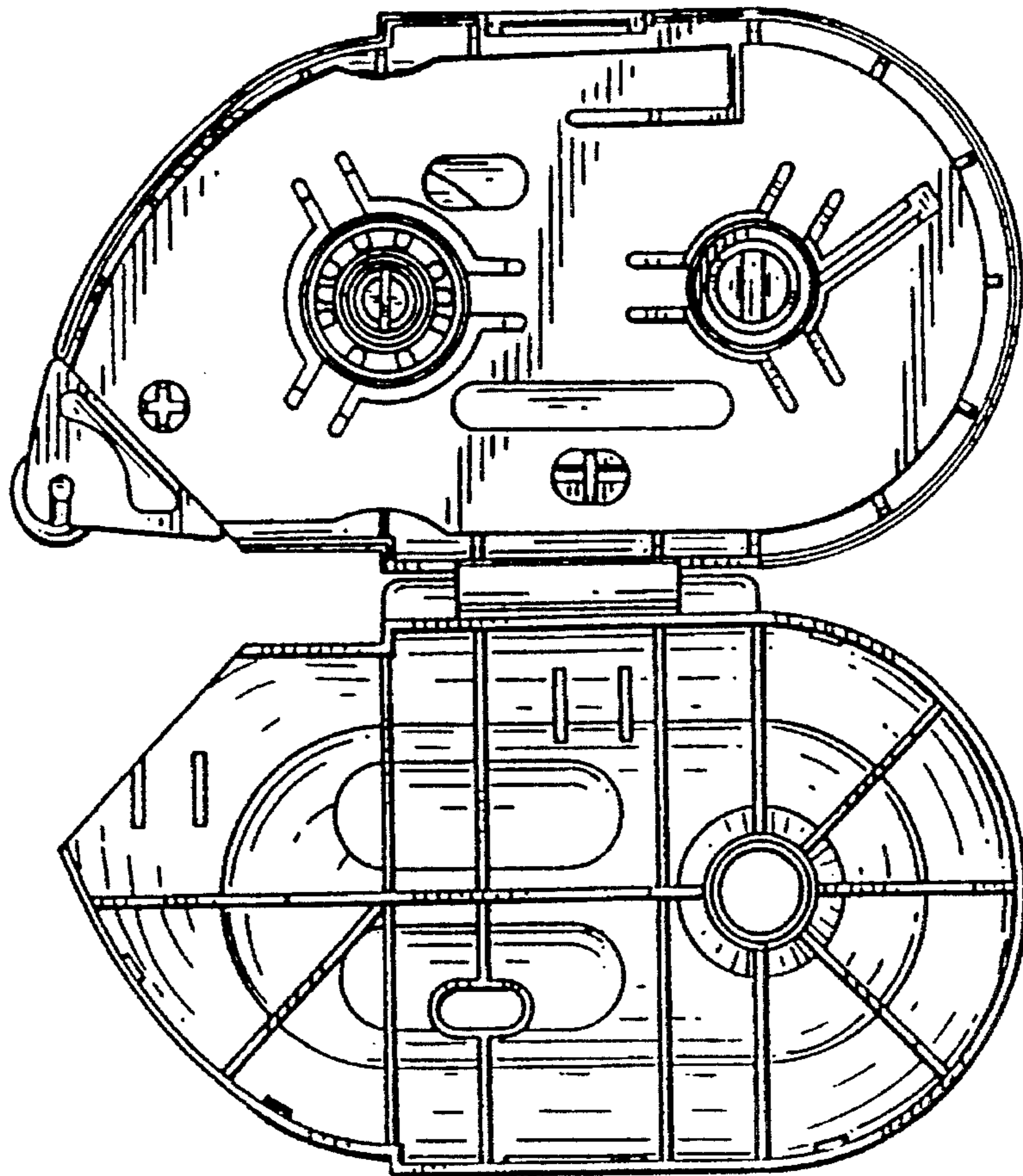


FIG. 7

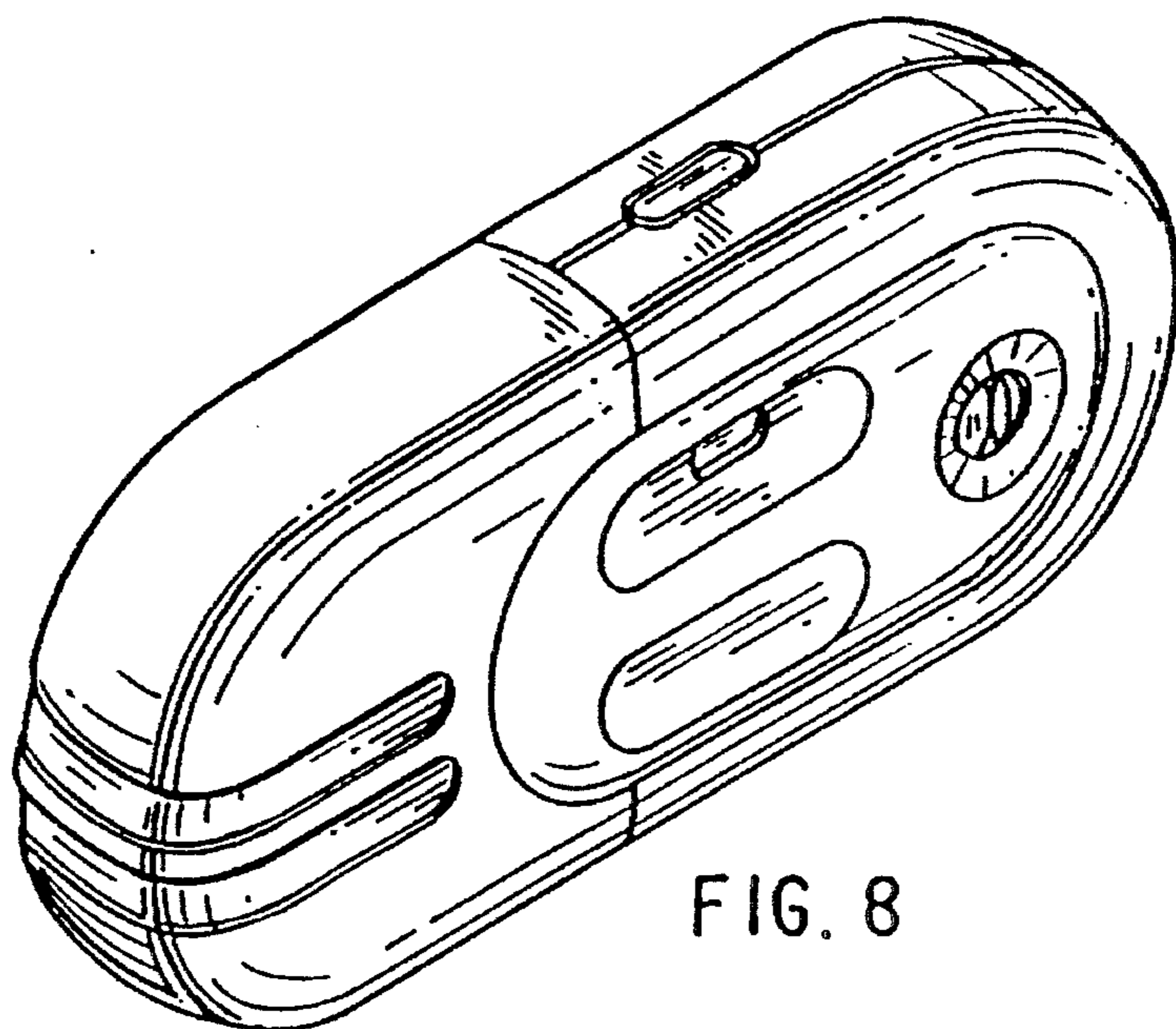


FIG. 8

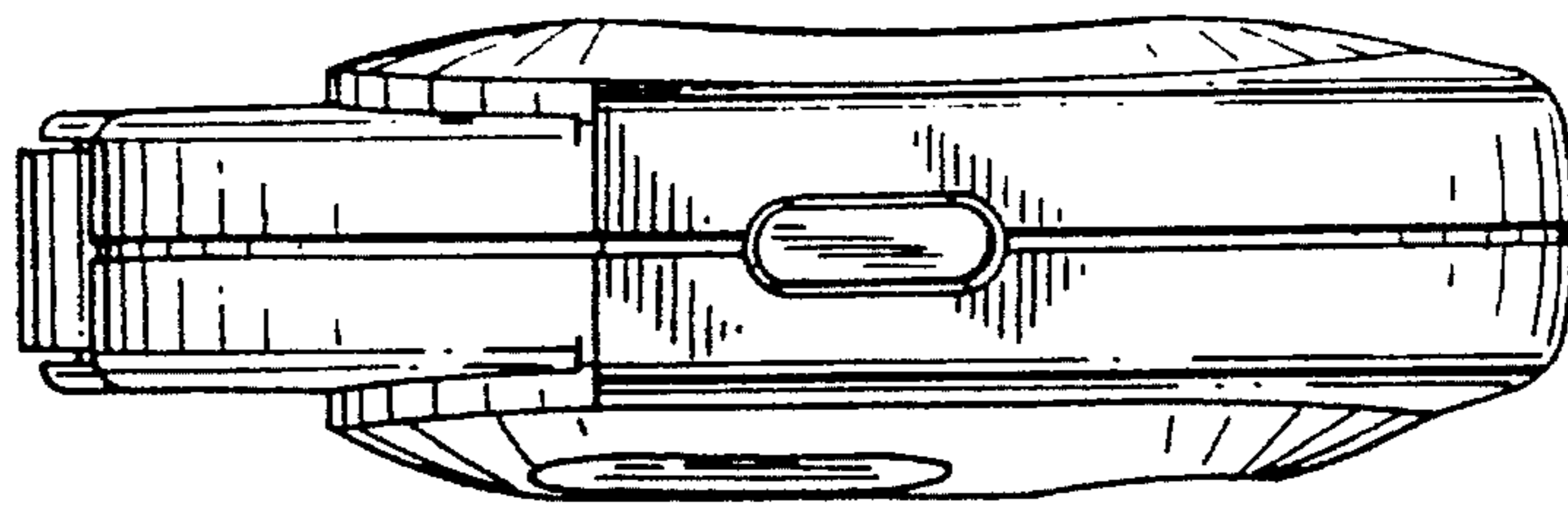


FIG. 9

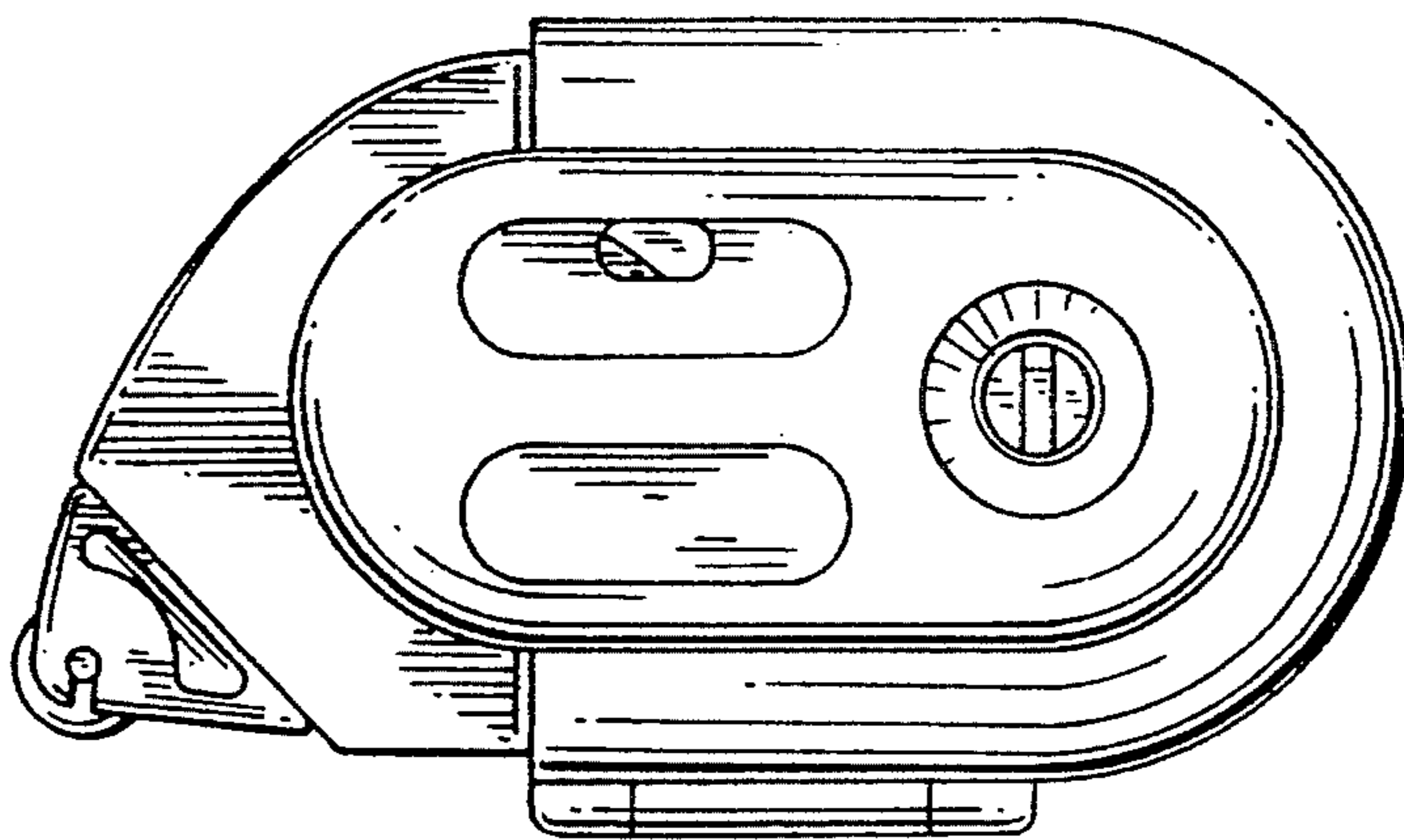


FIG. 10

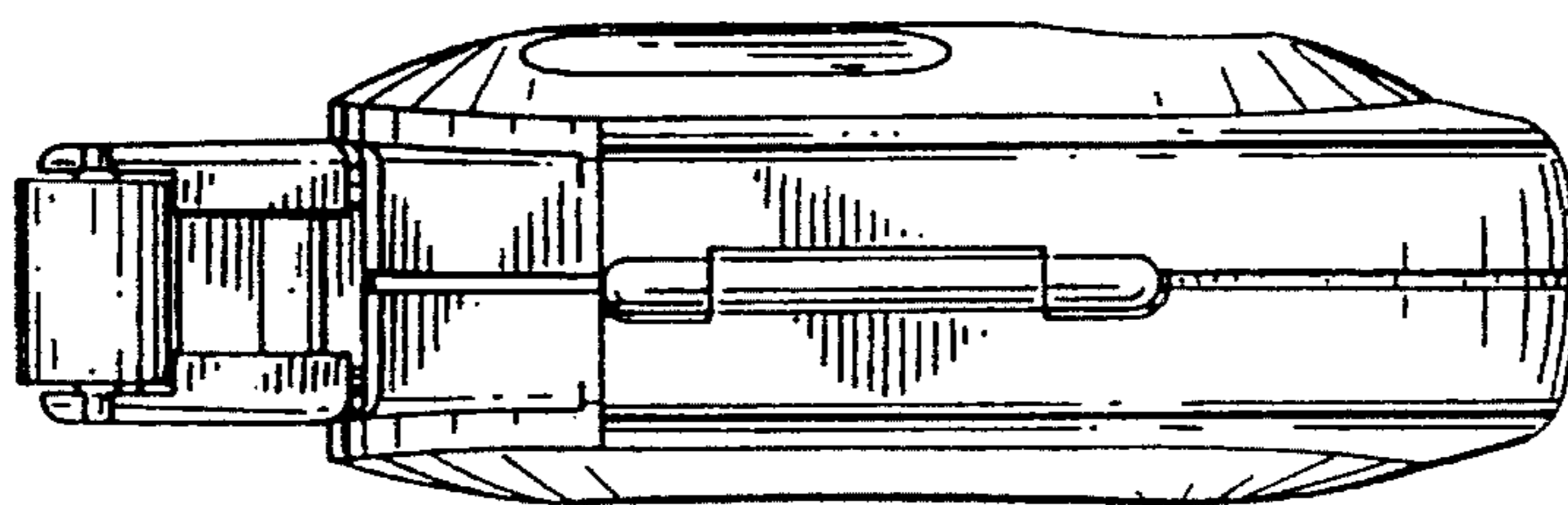


FIG. 11

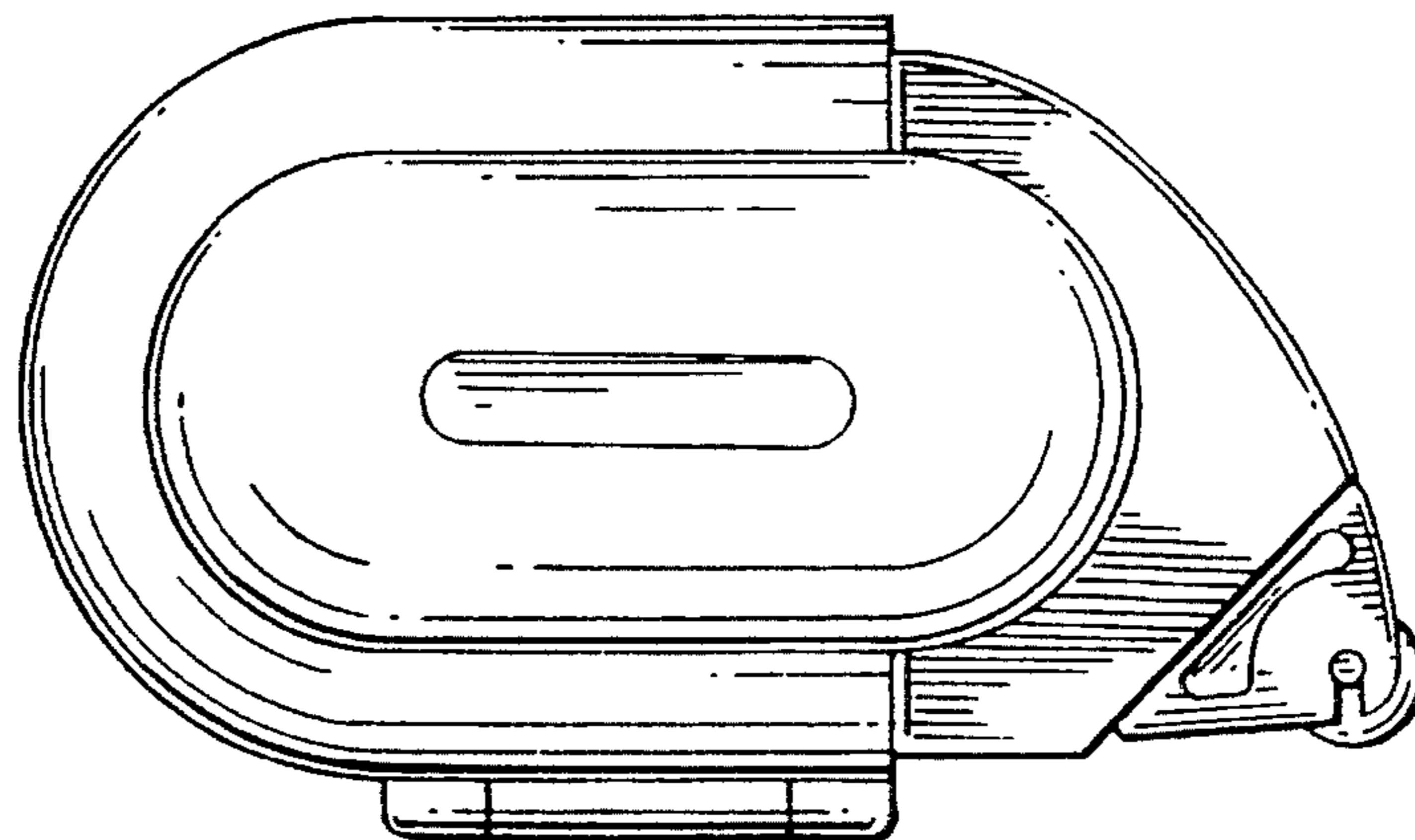


FIG. 12

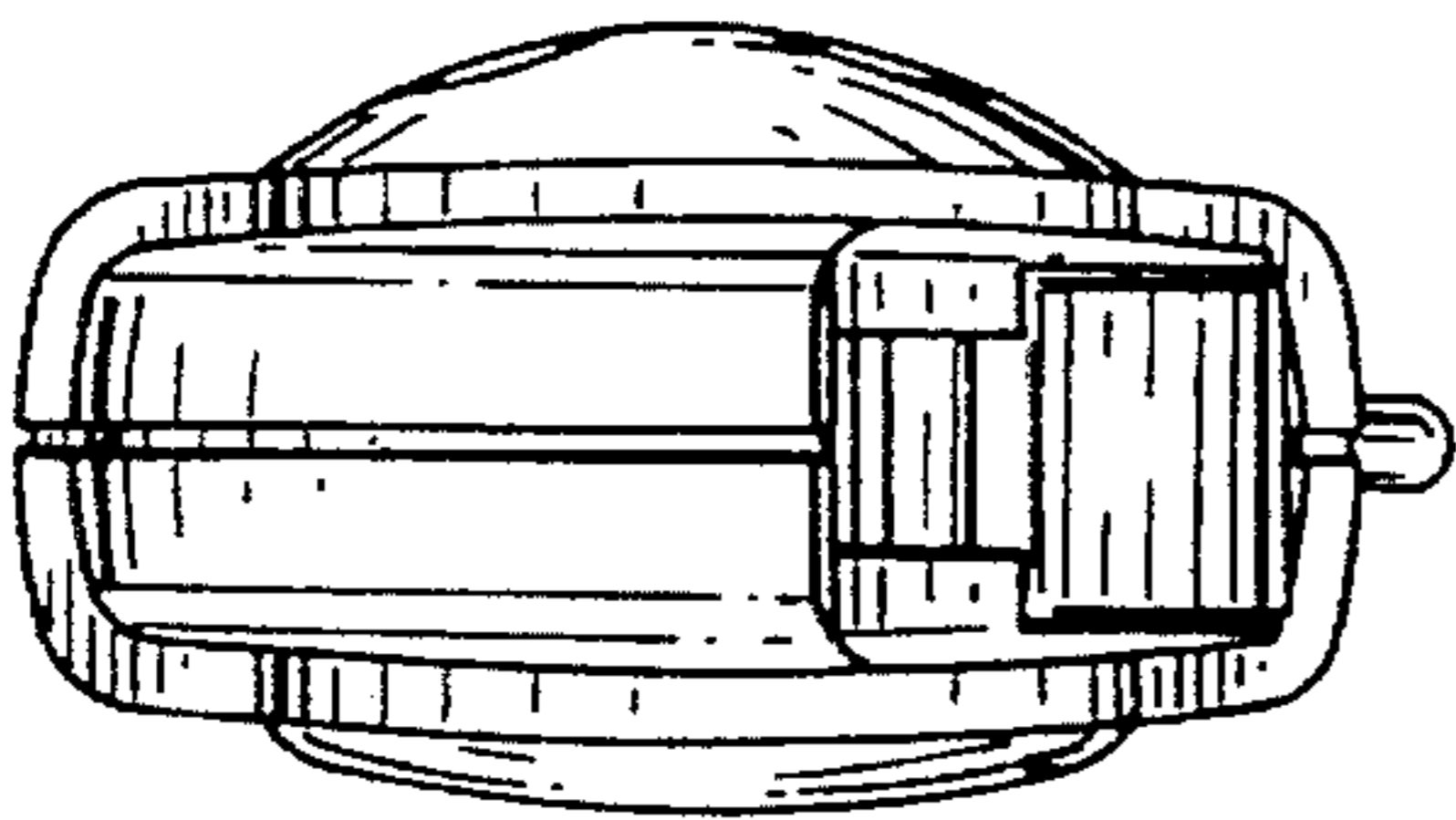


FIG. 13

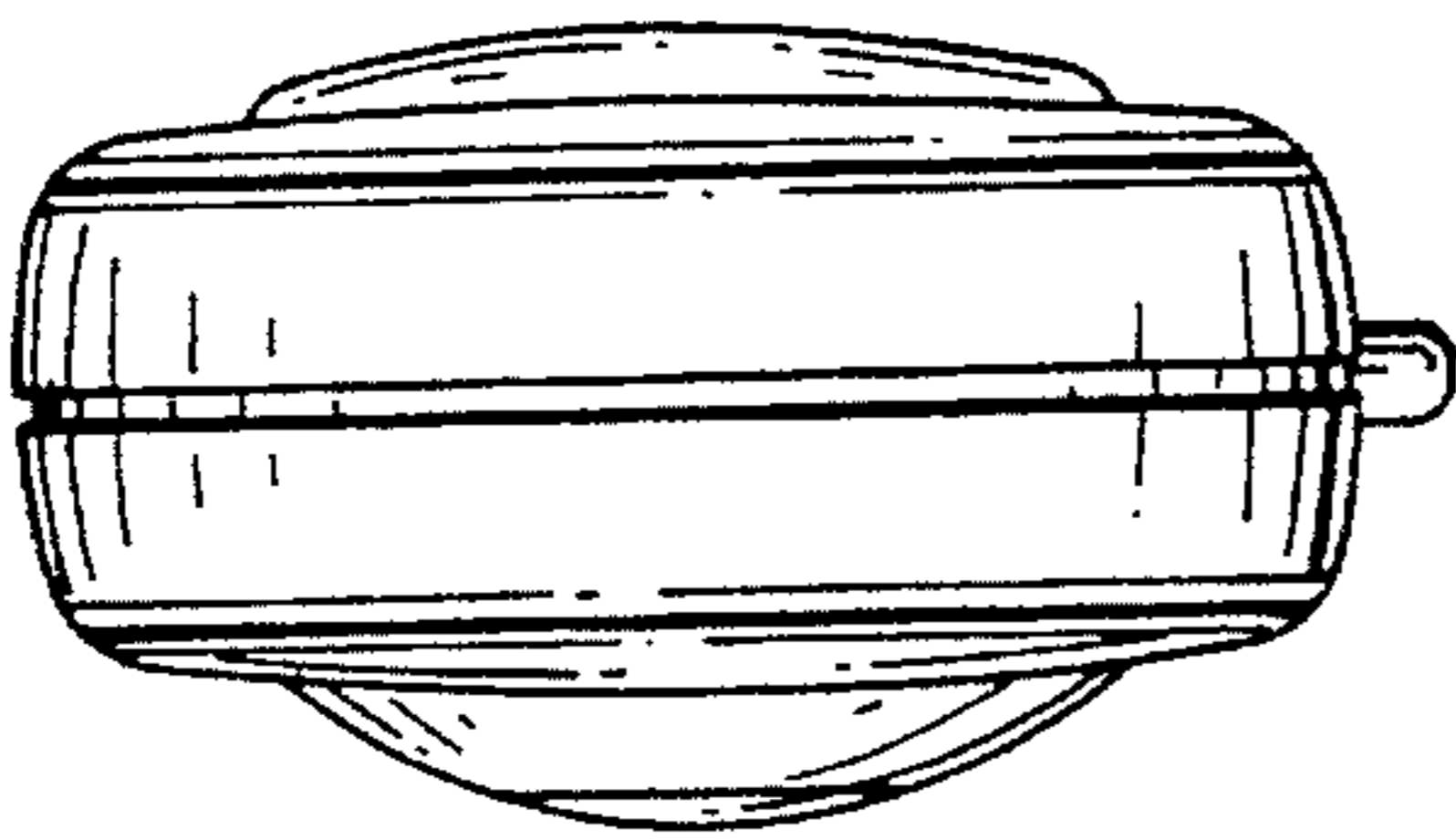


FIG. 14

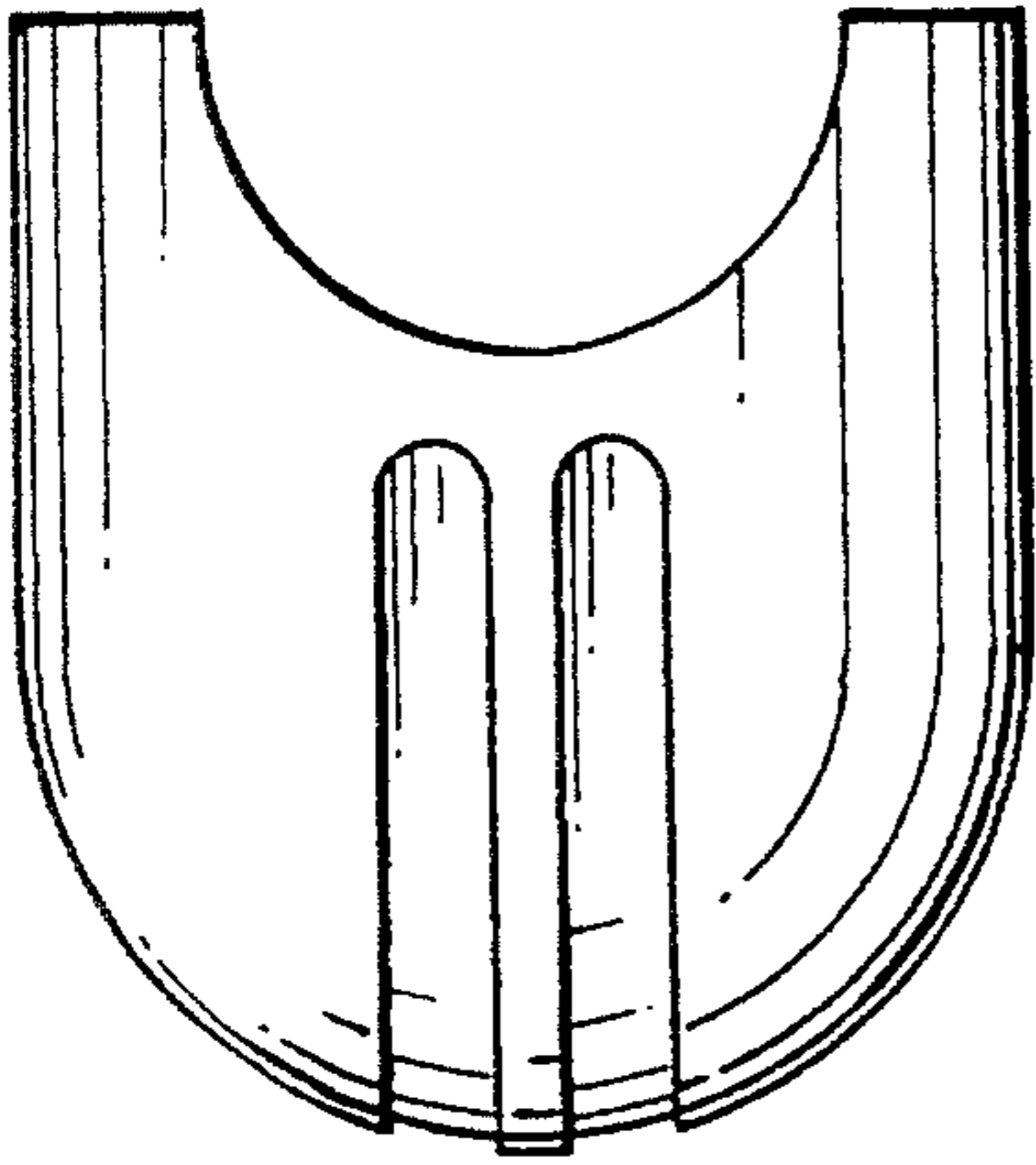


FIG. 15

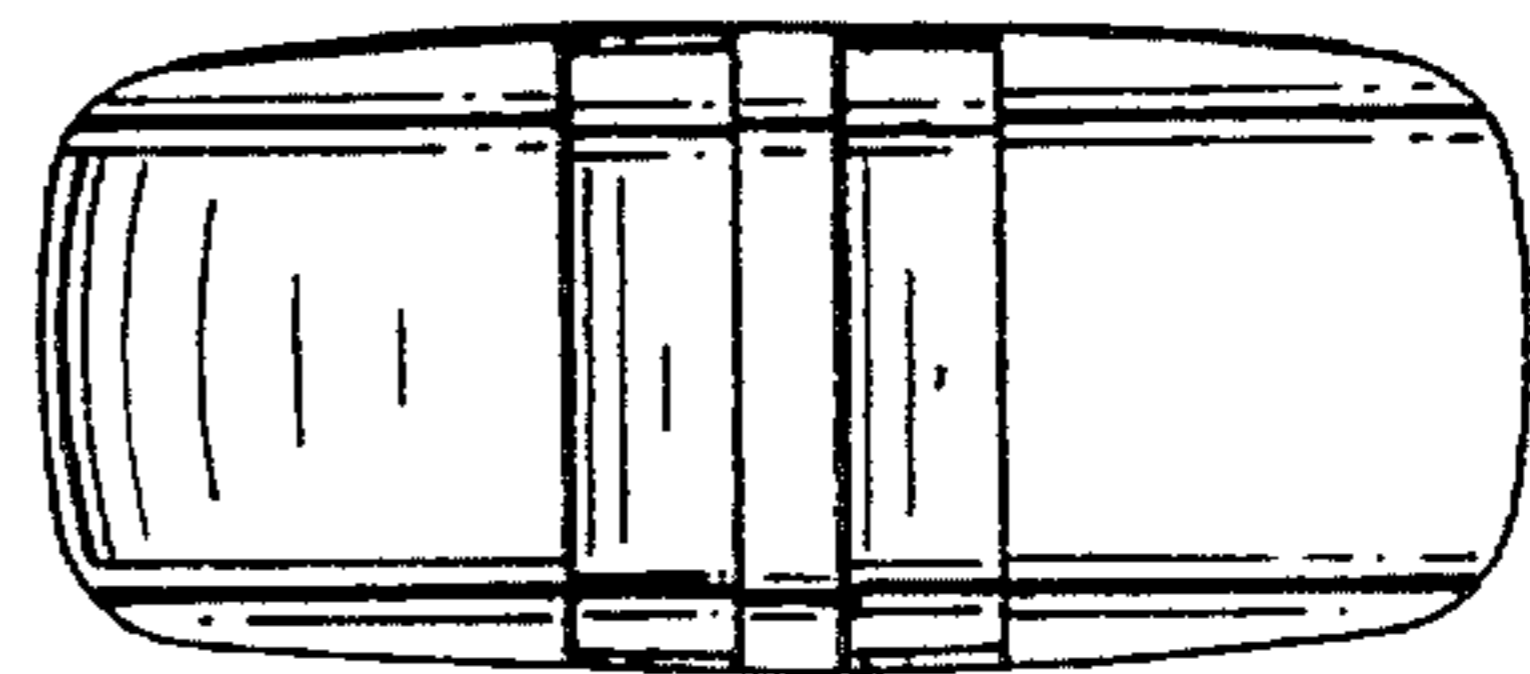


FIG. 16

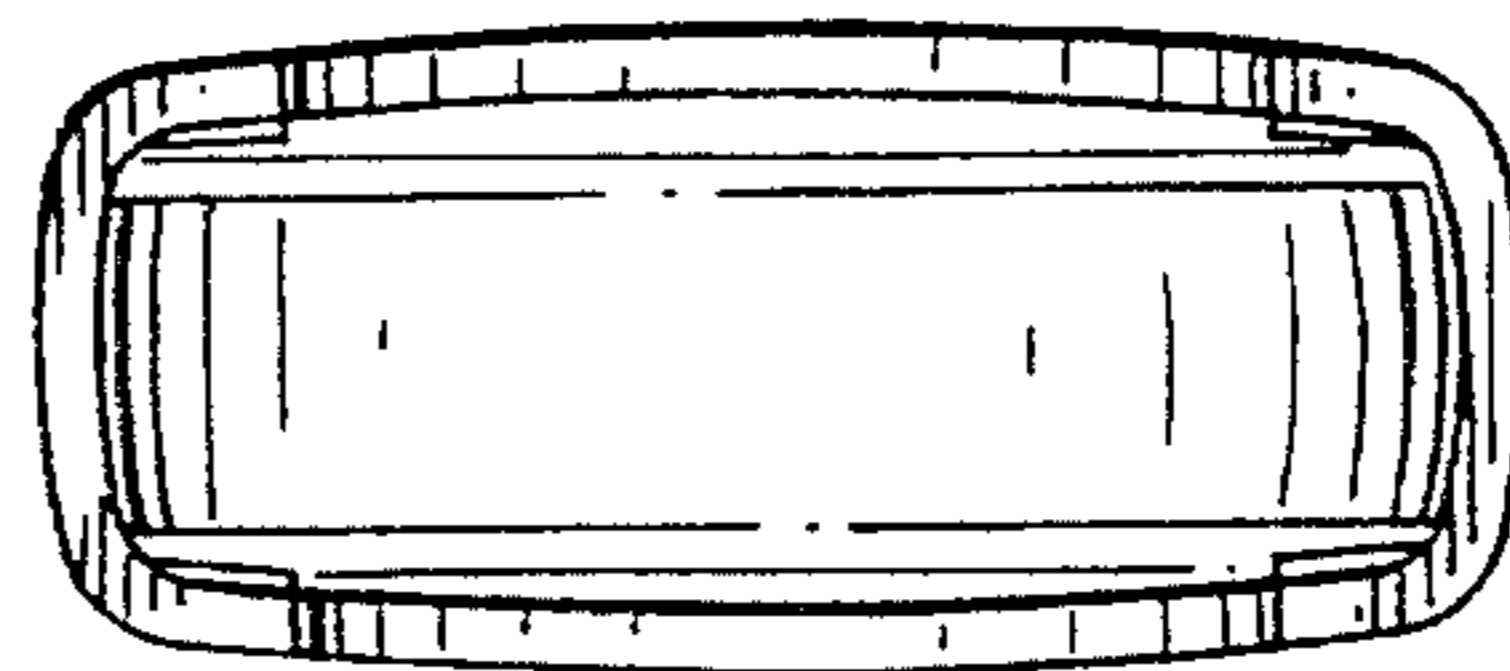


FIG. 17

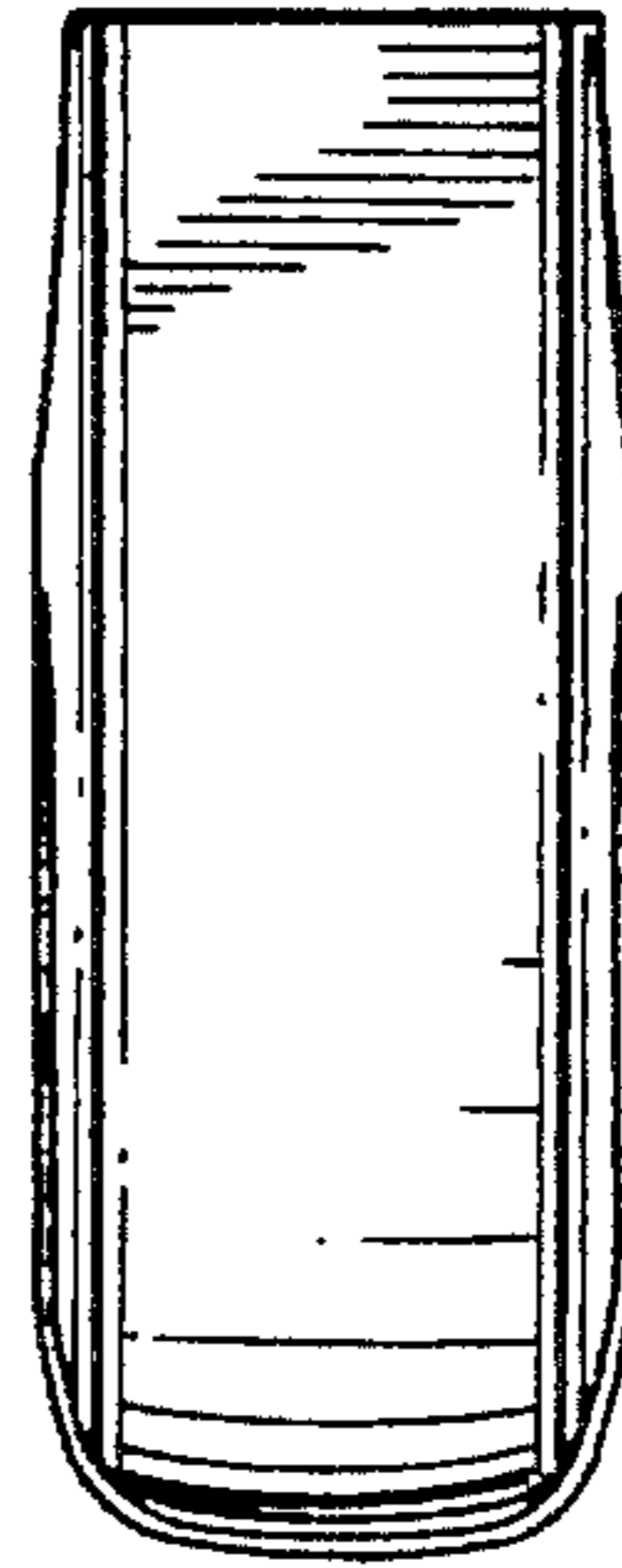


FIG. 18