



US00D366280S

United States Patent [19] Henderson

[11] Patent Number: **Des. 366,280**

[45] Date of Patent: ****Jan. 16, 1996**

[54] **LUMINOUS DRAWING SURFACE AND NIGHT LIGHT**

[76] Inventor: **Darryl R. Henderson**, 7443 Little Pond Ct., Orlando, Fla. 32810

[**] Term: **14 Years**

[21] Appl. No.: **36,307**

[22] Filed: **Mar. 17, 1995**

[52] U.S. Cl. **D19/52; D19/35; D19/83; D19/36; D26/58; D14/106; D28/83**

[58] Field of Search D14/100, 106, D14/114; D19/35, 36, 59, 60, 65, 81-84; D21/59; D26/56, 58; 362/97-99, 33, 84; 434/81, 85, 88, 430; D28/64.3, 77, 78, 83

[56] **References Cited**

U.S. PATENT DOCUMENTS

- D. 214,279 5/1969 Schoenfield D19/52
- D. 260,305 5/1981 MacGregor et al. D28/83 X
- D. 271,027 10/1983 Tripp D19/52
- D. 277,418 1/1985 Henrich, Jr. et al. D28/83 X
- D. 278,918 5/1985 Morcheles D19/52
- D. 314,980 2/1991 Leung D19/60
- D. 321,175 10/1991 Tsuchiya D19/60 X
- D. 344,975 3/1994 Tarozzi D19/36

- D. 346,793 5/1994 Iino et al. D14/100
- D. 352,065 11/1994 Kobzeff D26/58 X
- 3,443,332 5/1969 Christy .
- 4,195,431 4/1980 Neufeld .
- 4,590,381 5/1986 Mendelson .
- 5,203,702 4/1993 Wilson .

FOREIGN PATENT DOCUMENTS

WO93/14943 8/1993 WIPO .

Primary Examiner—Martie Thompson
Attorney, Agent, or Firm—Richard C. Litman

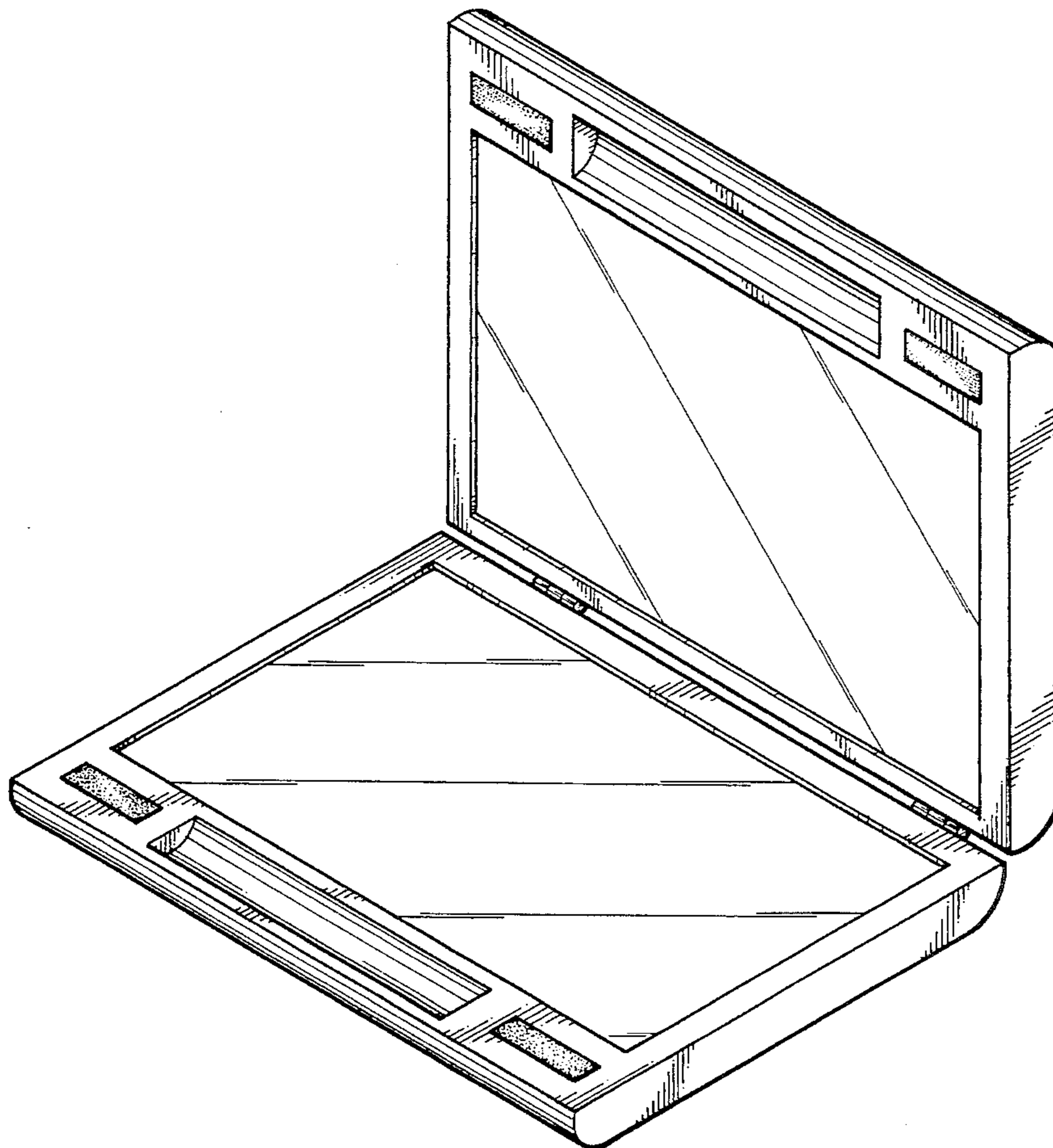
[57] **CLAIM**

The ornamental design for a luminous drawing surface and night light, as shown and described.

DESCRIPTION

FIG. 1 is a front perspective view of a luminous drawing surface and night light showing my new design;
 FIG. 2 is a rear perspective view thereof in a closed position;
 FIG. 3 is a front elevational view of FIG. 1 with the top view being a mirror image thereof;
 FIG. 4 is a rear elevational view with the bottom view being a mirror image thereof; and,
 FIG. 5 is a left side elevational view with the right side being a mirror image thereof.

1 Claim, 3 Drawing Sheets



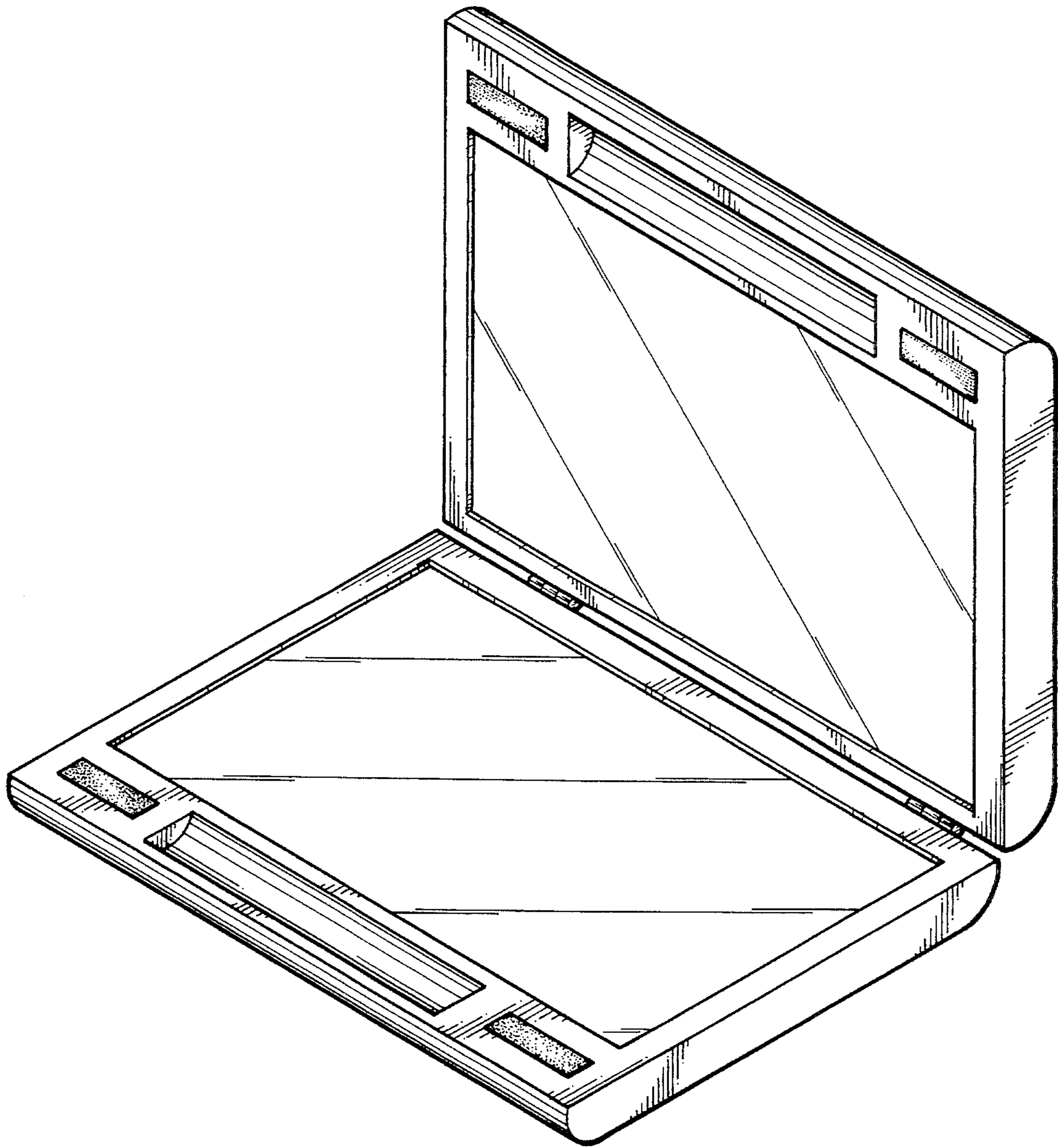


FIG. 1

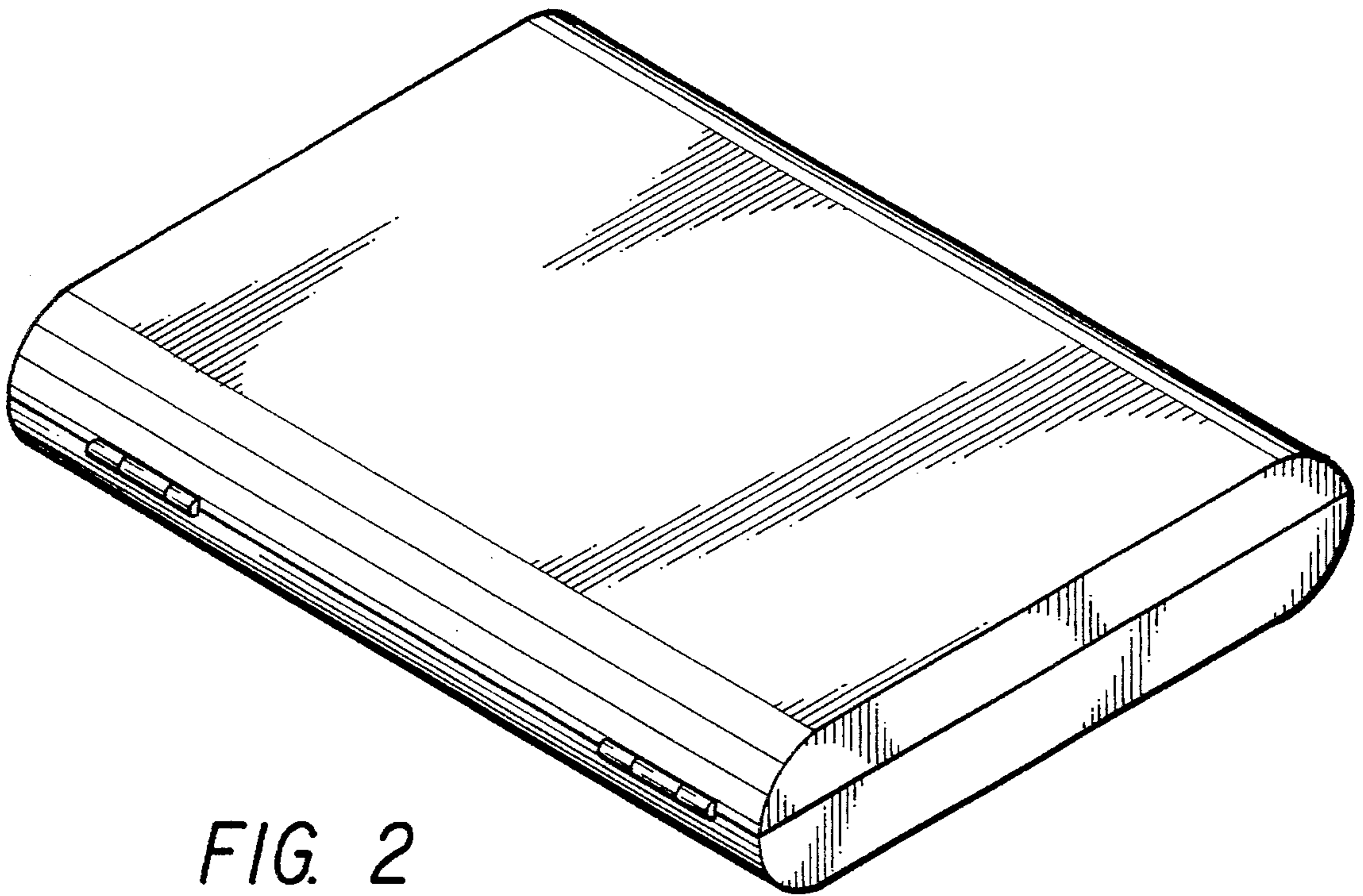


FIG. 2

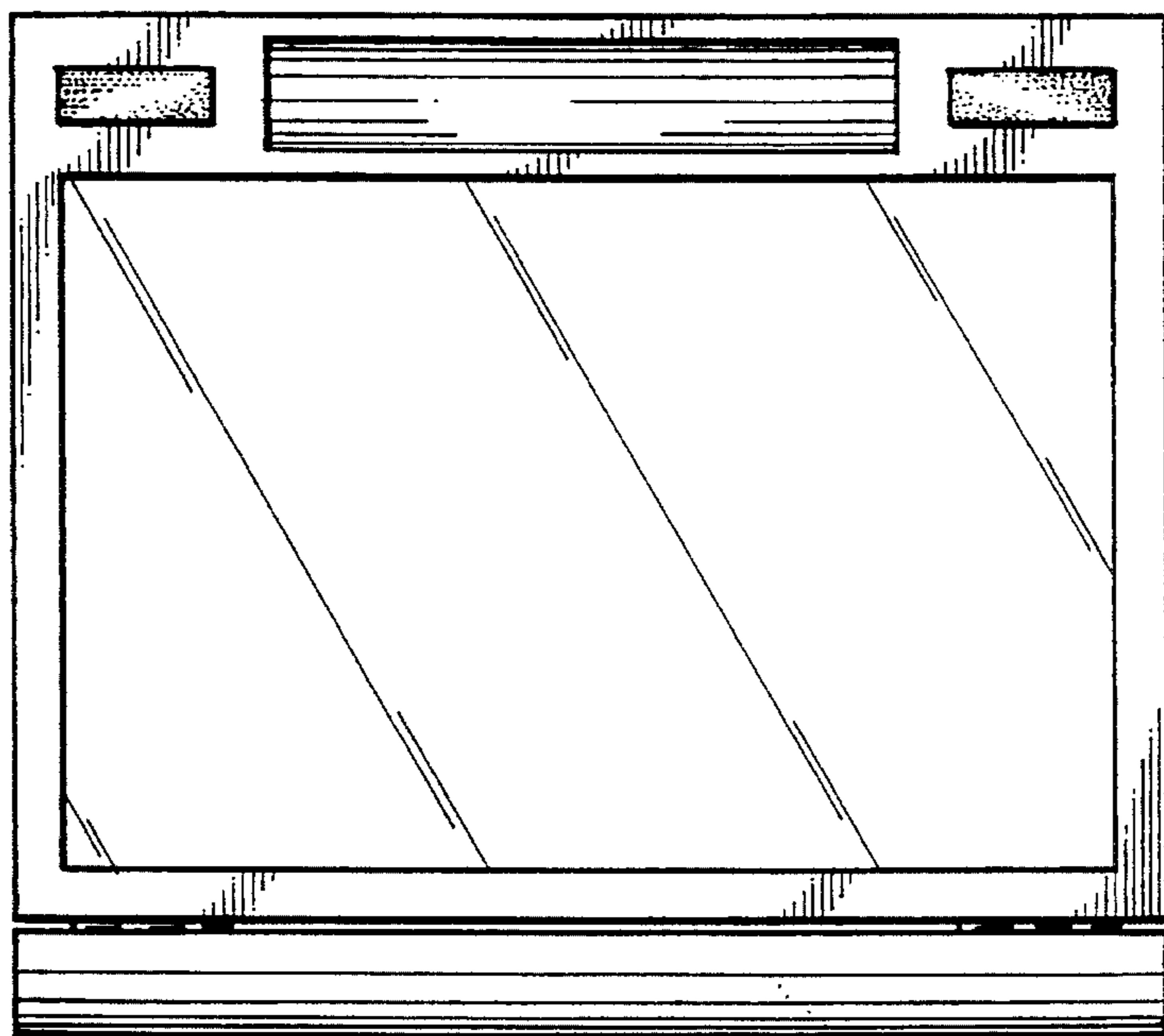


FIG. 3

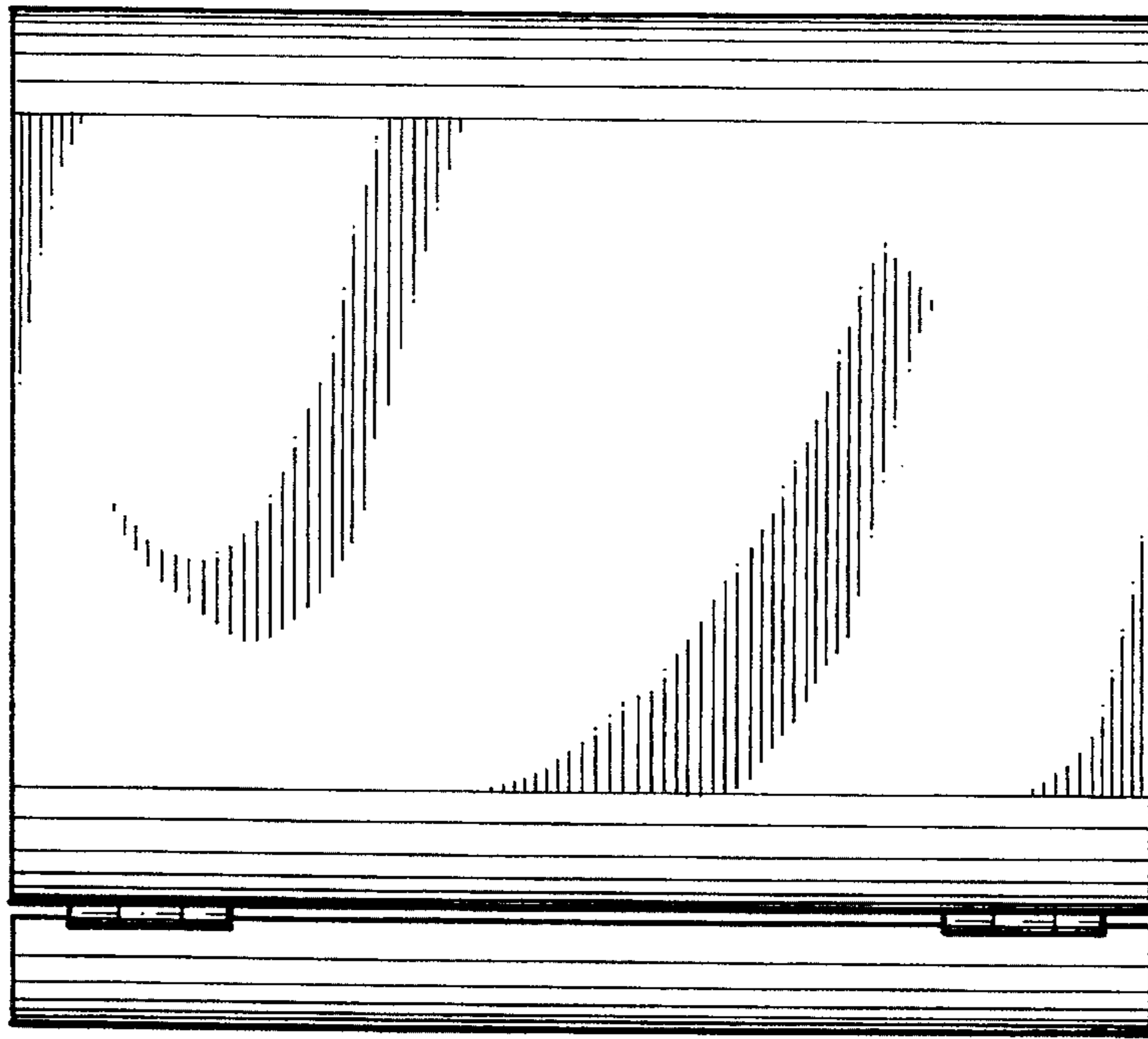


FIG. 4

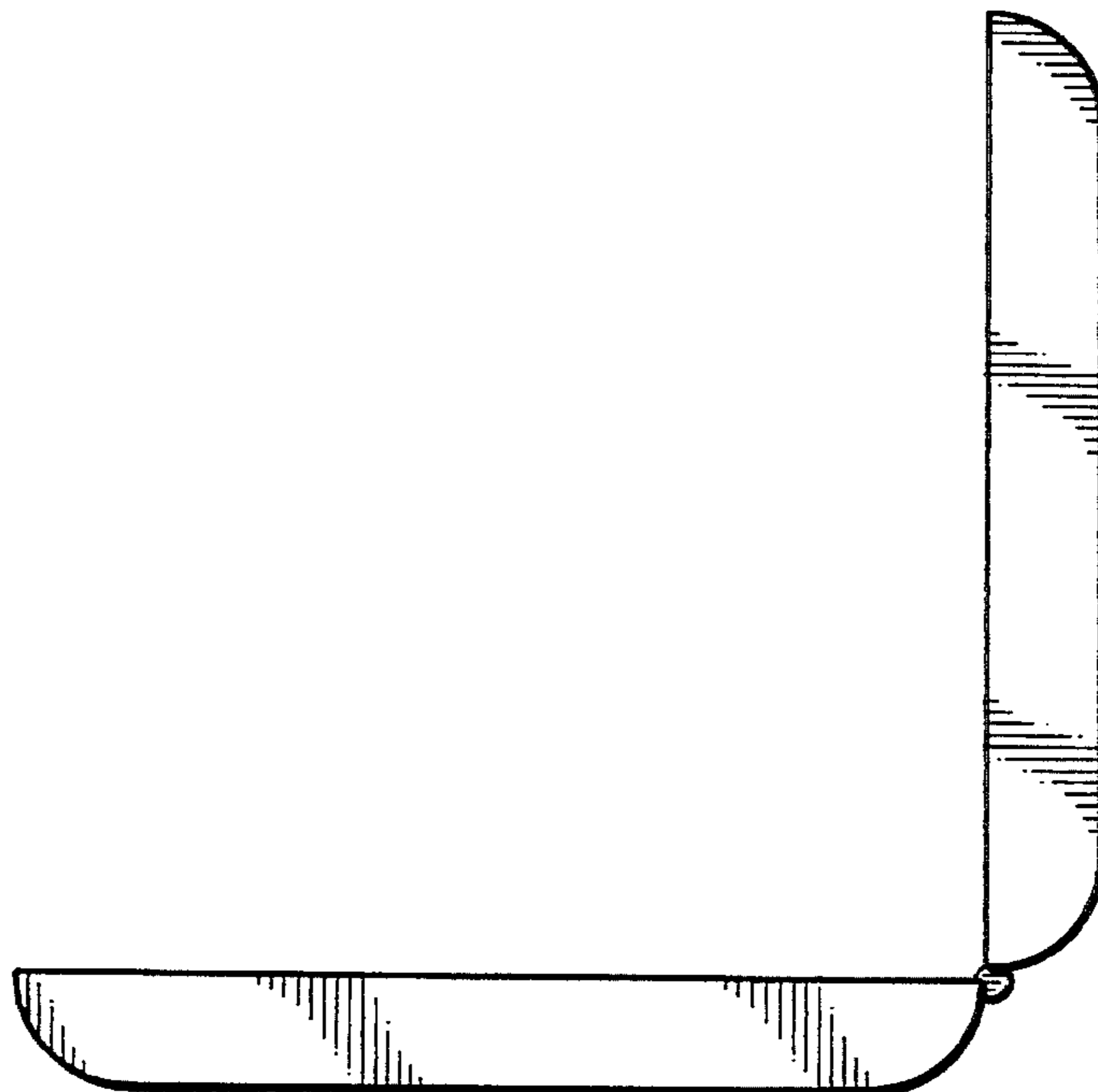


FIG. 5