



US00D366277S

United States Patent [19] Kawamura

[11] Patent Number: **Des. 366,277**

[45] Date of Patent: ****Jan. 16, 1996**

[54] IMAGING CARTRIDGE

[75] Inventor: **Taiji Kawamura**, Sakai, Japan
[73] Assignee: **Minolta Co., Ltd.**, Osaka, Japan
[**] Term: **14 Years**

[21] Appl. No.: **28,587**

[22] Filed: **Sep. 22, 1994**

[30] Foreign Application Priority Data

Mar. 23, 1994 [JP] Japan 6-7763
[52] U.S. Cl. **D18/43; D18/40**
[58] Field of Search D18/36, 40, 43;
355/245, 260

[56] References Cited

U.S. PATENT DOCUMENTS

D. 276,916 12/1984 Masaki D18/40
D. 310,682 9/1990 Tsumuro D18/40
D. 313,616 1/1991 Tokuda D18/43 X
D. 338,227 8/1993 Tokuda et al. D18/43
D. 350,975 9/1994 Mizuta D18/40 X

FOREIGN PATENT DOCUMENTS

825713 9/1991 Japan .
826700 10/1991 Japan .

OTHER PUBLICATIONS

Minolta Laser Printer SP101, Jul. 1990.
Minolta Laser Printer Engine SP-10XH, Oct. 1993.
Minolta Laser Printer SP1000, Jan. 1993.
Canon LBP-A404, Apr. 1990.
Canon LBP-B406E, Apr. 1992.
Star brochure, Sep. 1993.
Epson Imaging Cartridge, Mar. 1994.

Primary Examiner—Alan P. Douglas
Assistant Examiner—Caron D. Veynar
Attorney, Agent, or Firm—Burns, Doane, Swecker & Mathis

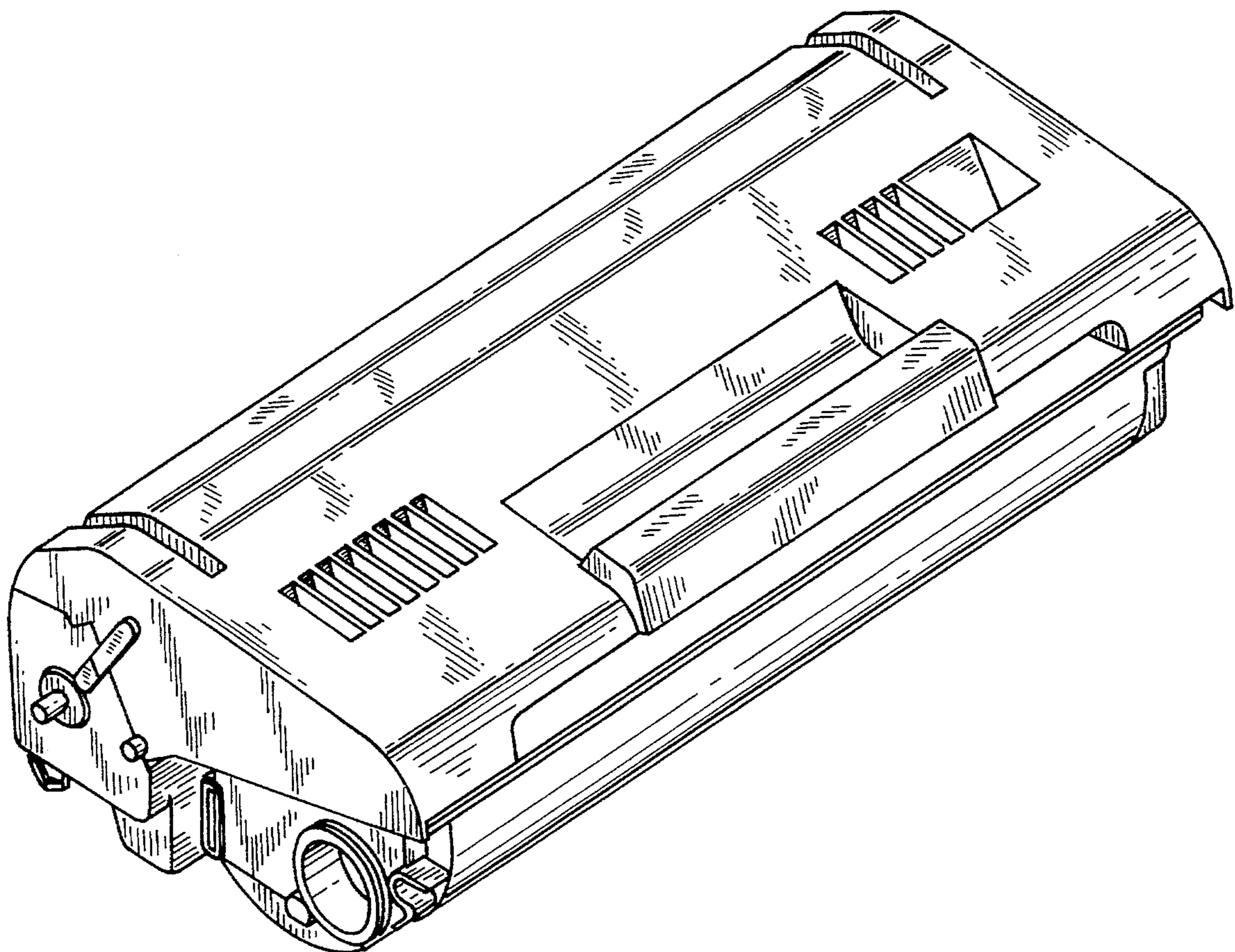
[57] CLAIM

The ornamental design for the imaging cartridge, as shown and described.

DESCRIPTION

FIG. 1 is a front elevational view of the imaging cartridge incorporating my new design;
FIG. 2 is a top view thereof;
FIG. 3 is a left side elevational view thereof;
FIG. 4 is a rear elevational view thereof;
FIG. 5 is a bottom view thereof;
FIG. 6 is a right side elevational view thereof; and,
FIG. 7 is a perspective view thereof taken from above.

1 Claim, 6 Drawing Sheets



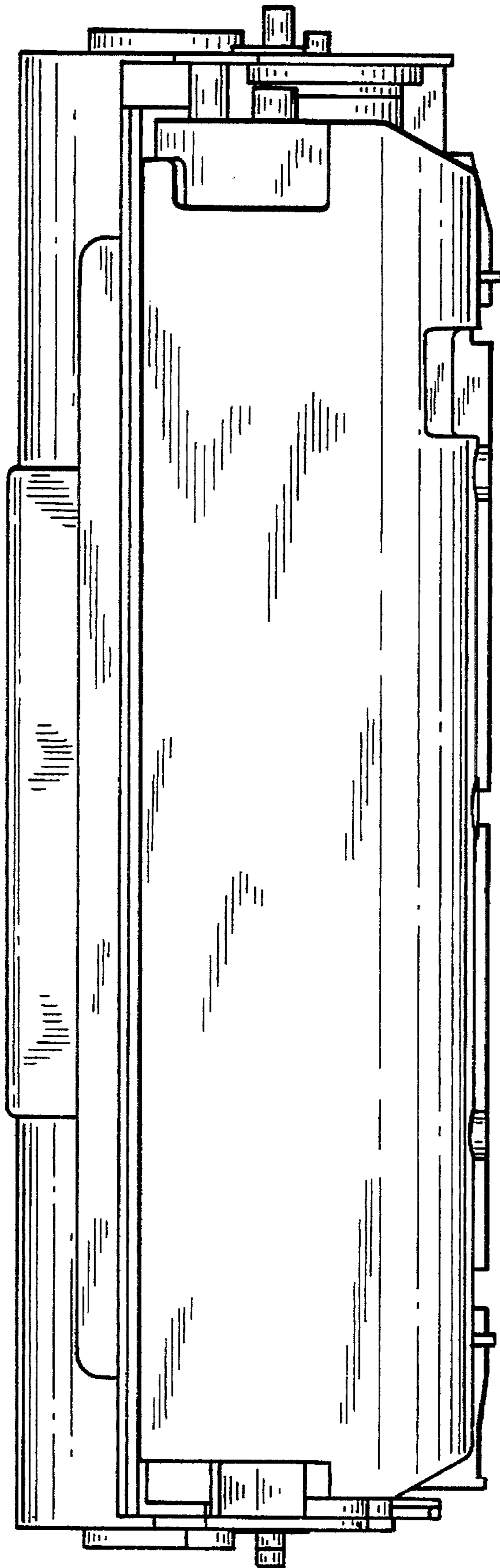


FIG. 1

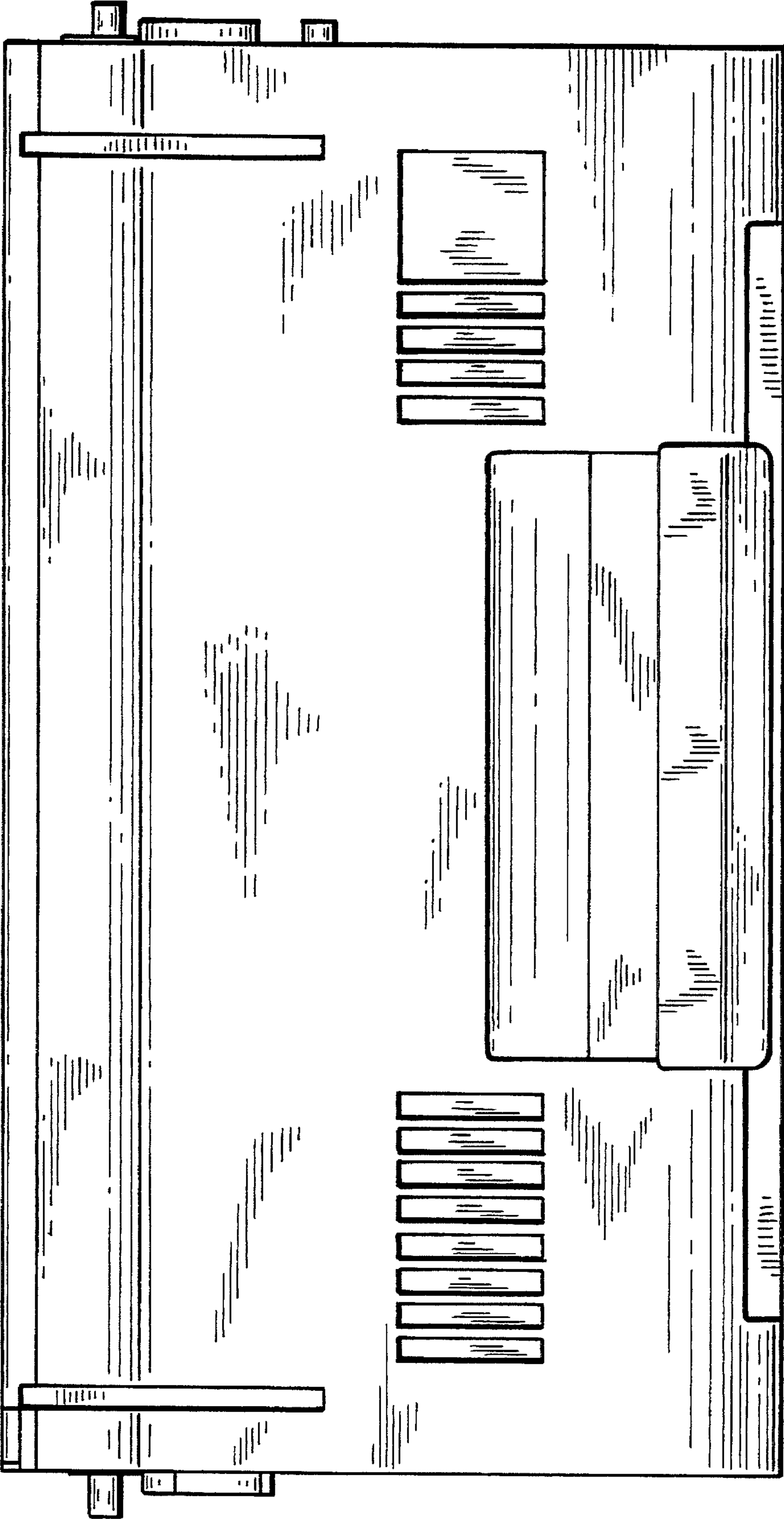


FIG. 2

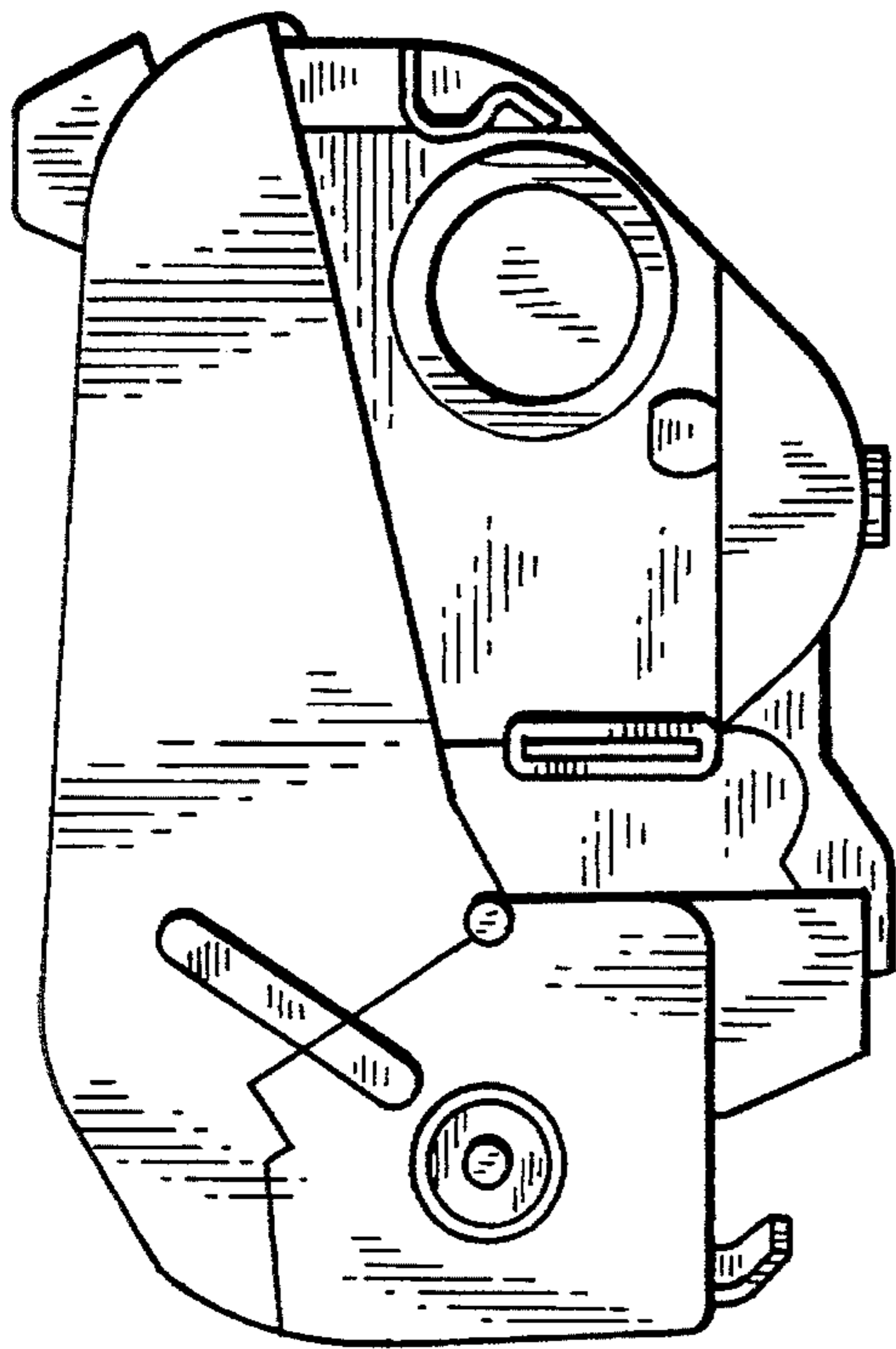


FIG. 3

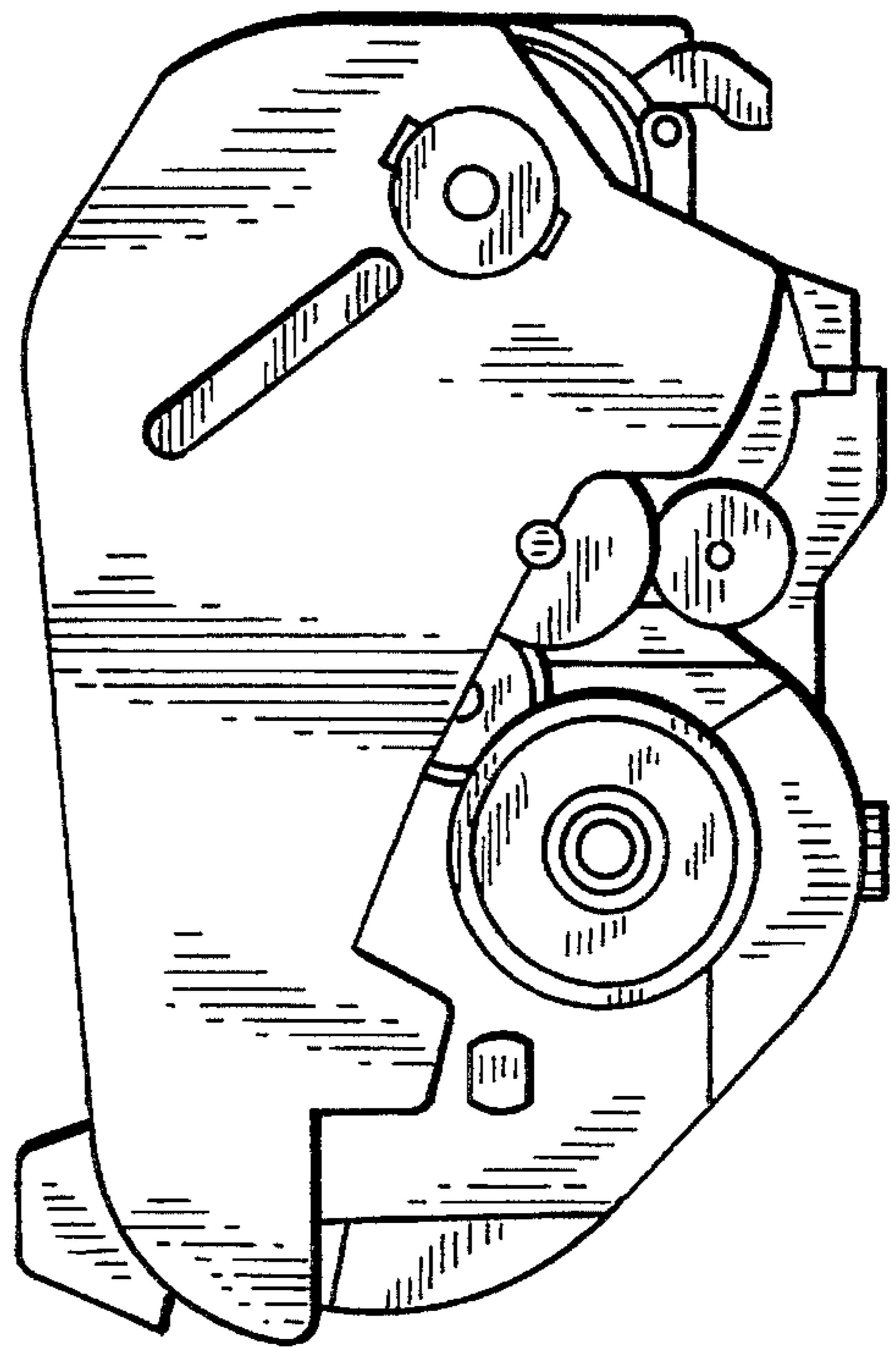


FIG. 6

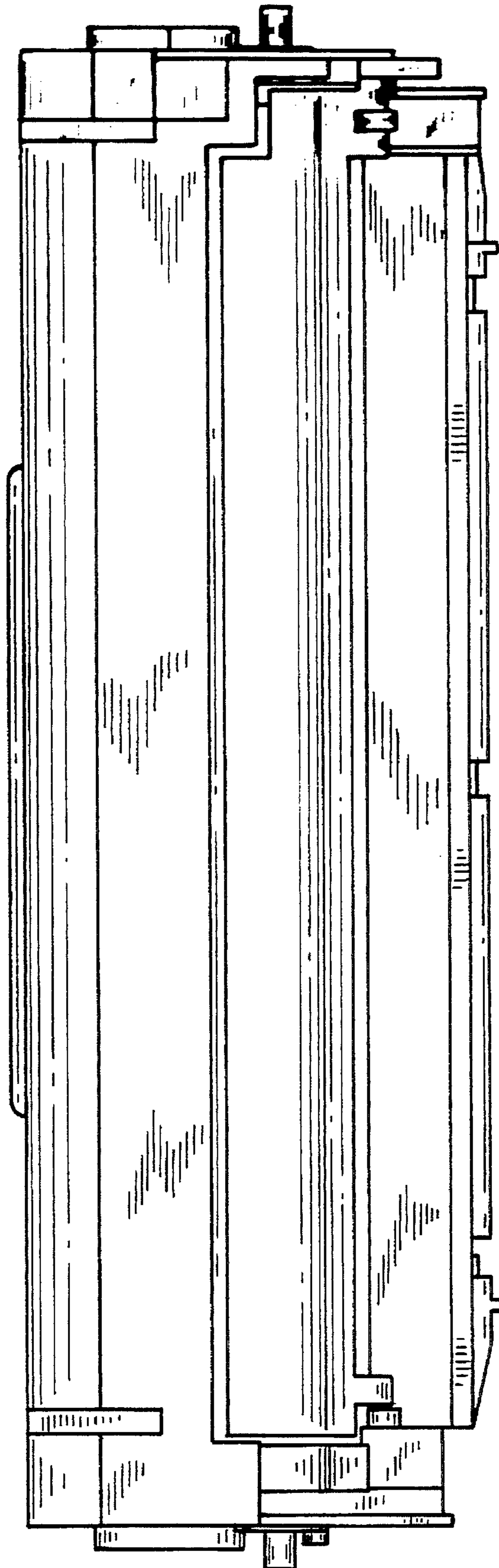
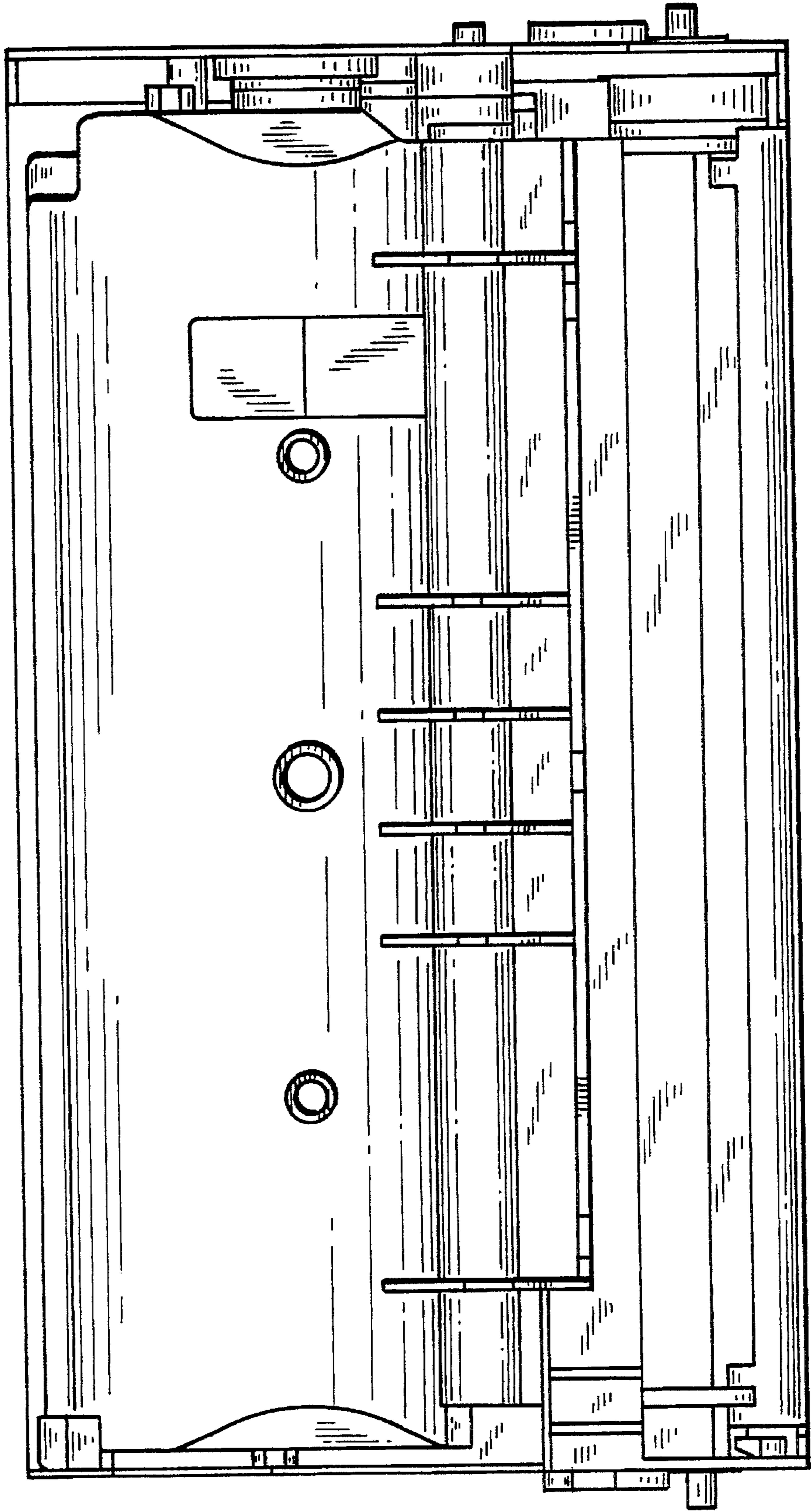


FIG. 4

FIG. 5



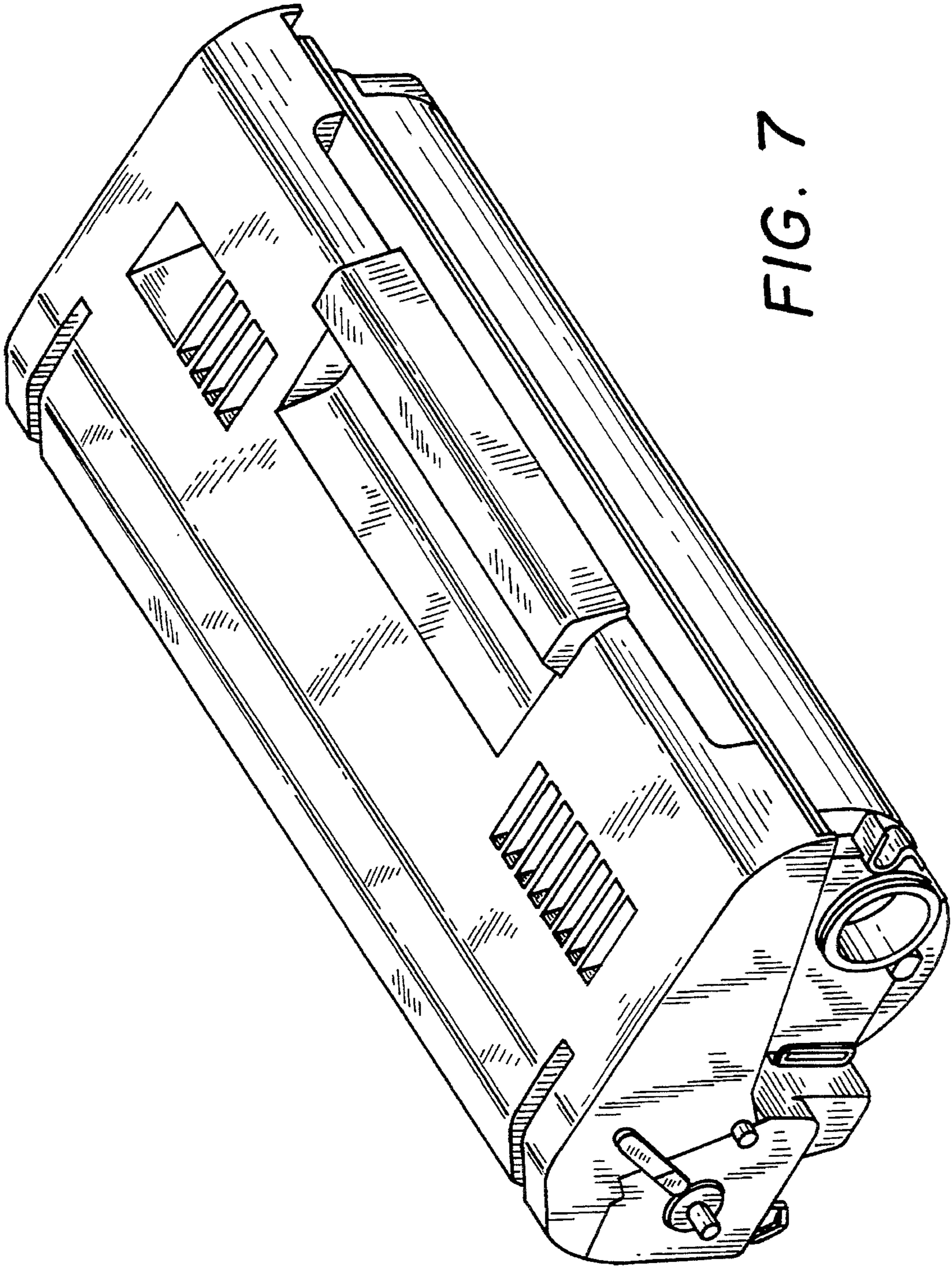


FIG. 7