



US00D366275S

United States Patent [19] Komaki

[11] **Patent Number: Des. 366,275**
[45] **Date of Patent: **Jan. 16, 1996**

[54] **TONER CARTRIDGE**

[75] Inventor: **Susumu Komaki**, Kobe, Japan

[73] Assignee: **Mita Industrial Co., Ltd.**, Osaka, Japan

[**] Term: **14 Years**

[21] Appl. No.: **25,184**

[22] Filed: **Jul. 6, 1994**

[30] Foreign Application Priority Data

Jan. 11, 1994 [JP] Japan 6-334

[52] U.S. Cl. **D18/43; D18/40**

[58] Field of Search D18/36, 40, 43;
222/166, 240, 325, 541, DIG. 1; 355/200,
206, 208, 245, 260, 298

[56] References Cited

U.S. PATENT DOCUMENTS

D. 238,658 2/1976 Stone D18/43

D. 298,256 10/1988 Shibata D18/43
4,650,070 3/1987 Oka et al. D18/43 X
4,981,218 1/1991 Ban et al. D18/43 X

Primary Examiner—Carmen H. Vales-Lado
Assistant Examiner—Caron D. Veynar
Attorney, Agent, or Firm—Spencer, Frank & Schneider

[57] CLAIM

The ornamental design for a toner cartridge, as shown.

DESCRIPTION

FIG. 1 is a top plan view of a toner cartridge;
FIG. 2 is a front elevational view of a toner cartridge;
FIG. 3 is a right side elevational view of a toner cartridge;
FIG. 4 is a bottom plan view of a toner cartridge;
FIG. 5 is a rear elevational view of a toner cartridge;
FIG. 6 is a left side elevational view of a toner cartridge; and,
FIG. 7 is a top, front and right side perspective view of a toner cartridge.

1 Claim, 3 Drawing Sheets

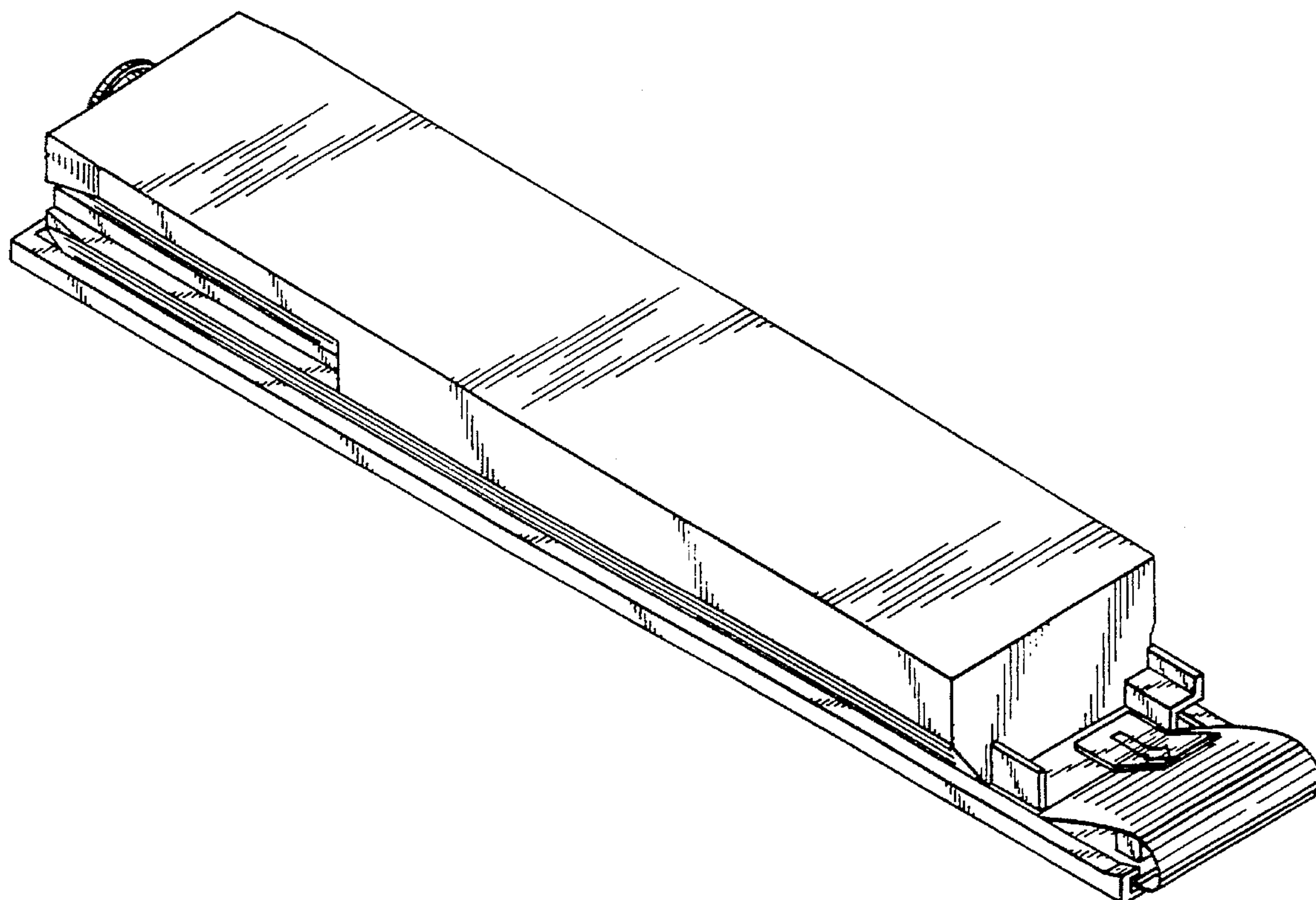


FIG. 1

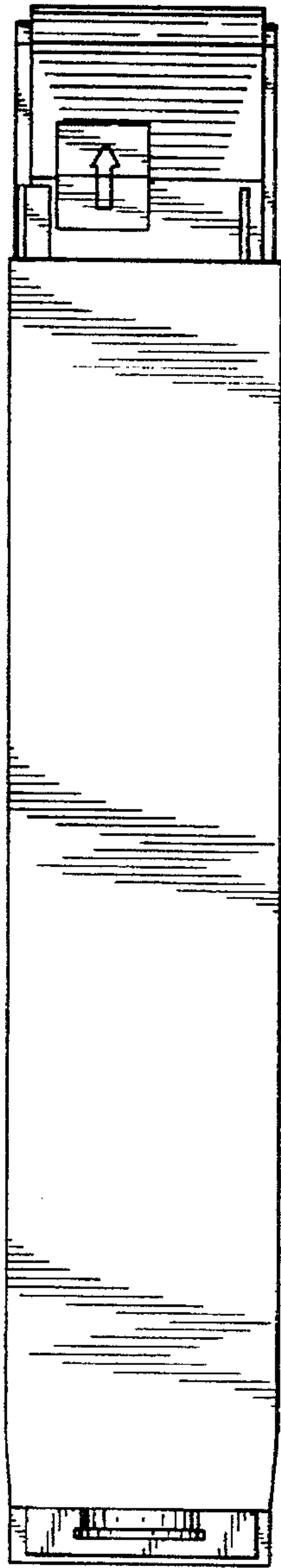


FIG. 2

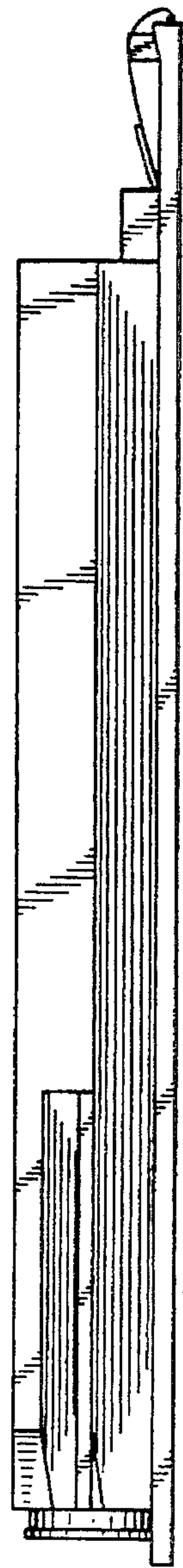


FIG. 3



FIG. 4

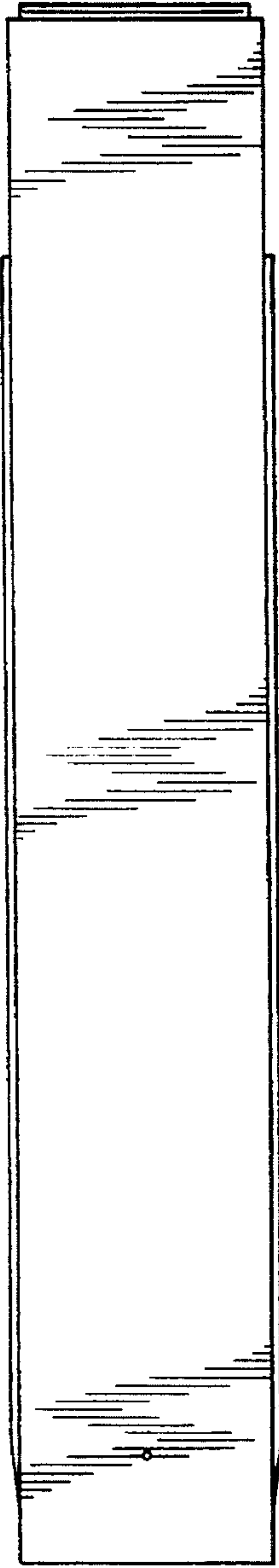


FIG. 5

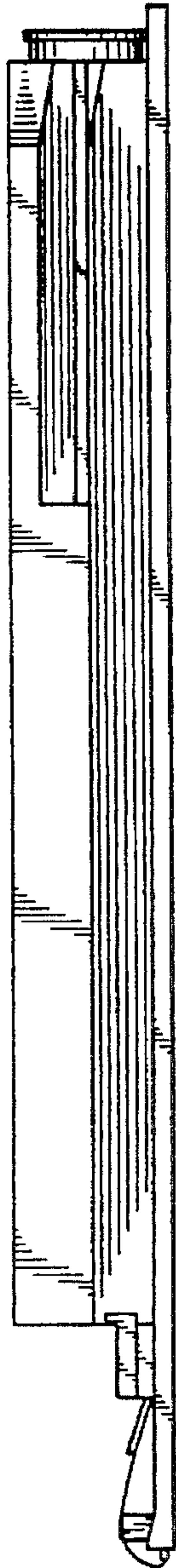


FIG. 6

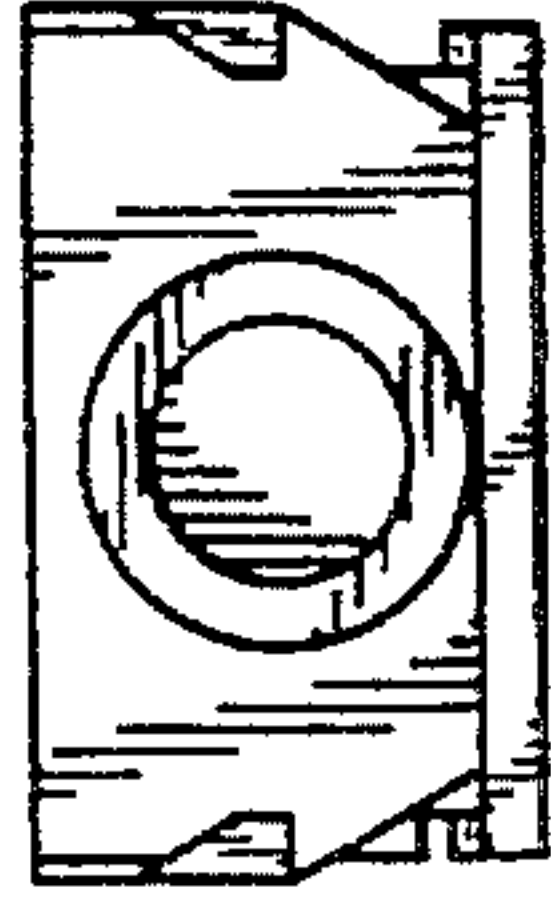


FIG. 7

