



US00D366272S

United States Patent [19]

Okamoto et al.

[11] Patent Number: **Des. 366,272**

[45] Date of Patent: ****Jan. 16, 1996**

[54] **COMBINED PHOTOGRAPHIC PRINTER AND FILM PROCESSOR**

[75] Inventors: **Eiichi Okamoto; Hiroyuki Sakai; Kazuki Nakajima**, all of Tokyo, Japan

[73] Assignee: **Fuji Photo Film Co., Ltd.**, Kanagawa, Japan

[**] Term: **14 Years**

[21] Appl. No.: **32,550**

[22] Filed: **Dec. 21, 1994**

[30] **Foreign Application Priority Data**

Jul. 8, 1994 [JP] Japan 6-20384

[52] U.S. Cl. **D16/246; D18/38**

[58] Field of Search **D16/246-250; D18/38, 39; 354/322; 355/27, 28, 45**

[56] **References Cited**

U.S. PATENT DOCUMENTS

- D. 234,159 1/1975 Knowles D16/246
- D. 272,360 1/1984 Schlagheck et al. D16/247
- D. 310,089 8/1990 Lavine D16/246

- D. 310,536 9/1990 Lavine D16/246
- D. 314,967 2/1991 Takahashi et al. D16/246
- 4,864,355 9/1989 Knecht et al. 355/27

Primary Examiner—Ted Shooman
Assistant Examiner—Adir Aronovich
Attorney, Agent, or Firm—Young & Thompson

[57] **CLAIM**

The ornamental design for a combined photographic printer and film processor, as shown.

DESCRIPTION

FIG. 1 is a top, front and side perspective view of a combined photographic printer and film processor, showing our new design;

FIG. 2 is a top, rear and side perspective view thereof;

FIG. 3 is a front elevational view thereof;

FIG. 4 is a rear elevational view thereof;

FIG. 5 is a top plan view thereof;

FIG. 6 is a bottom plan view thereof;

FIG. 7 is a side elevational view thereof from the left of FIG. 3; and,

FIG. 8 is a side elevational view thereof from the right of FIG. 3.

1 Claim, 6 Drawing Sheets

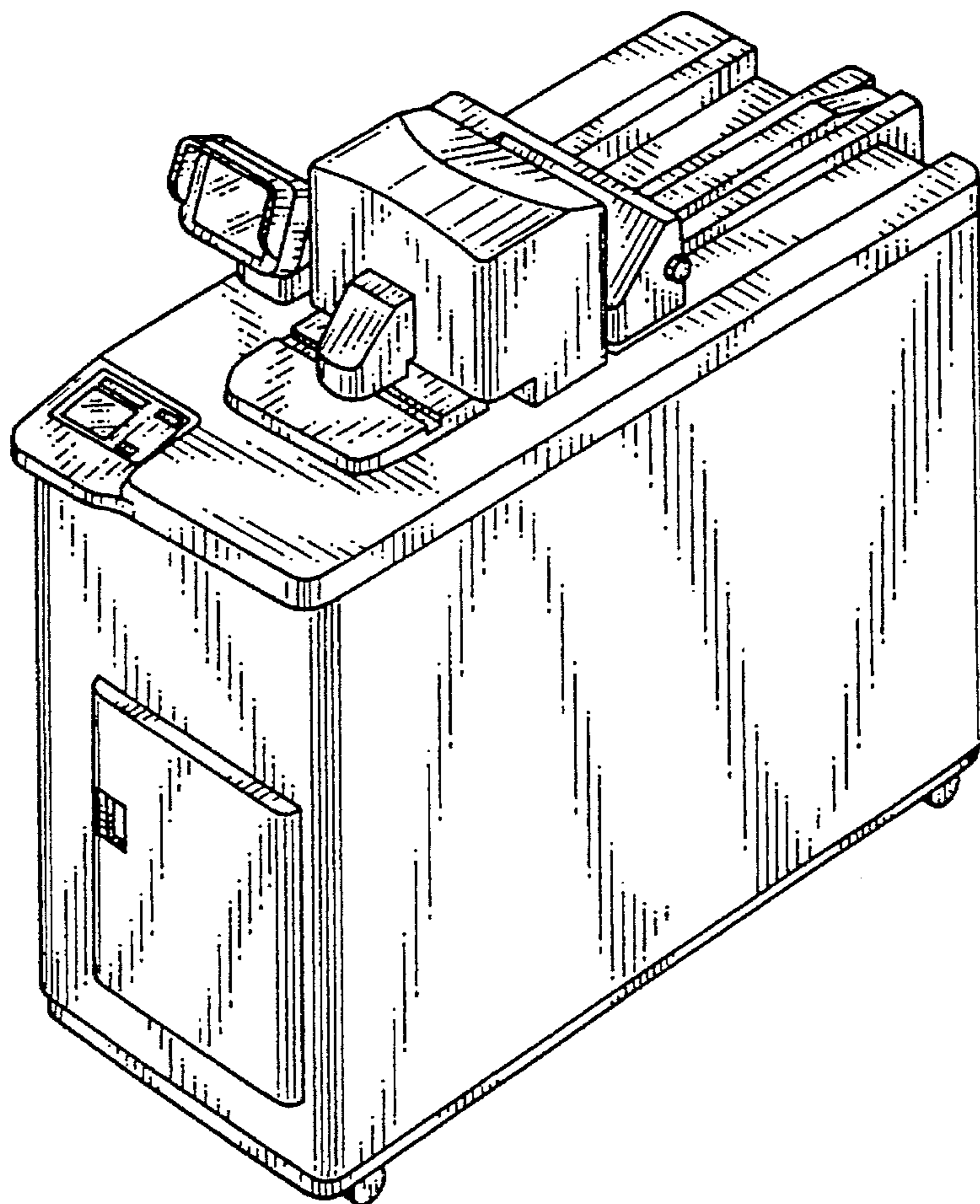


FIG. 1

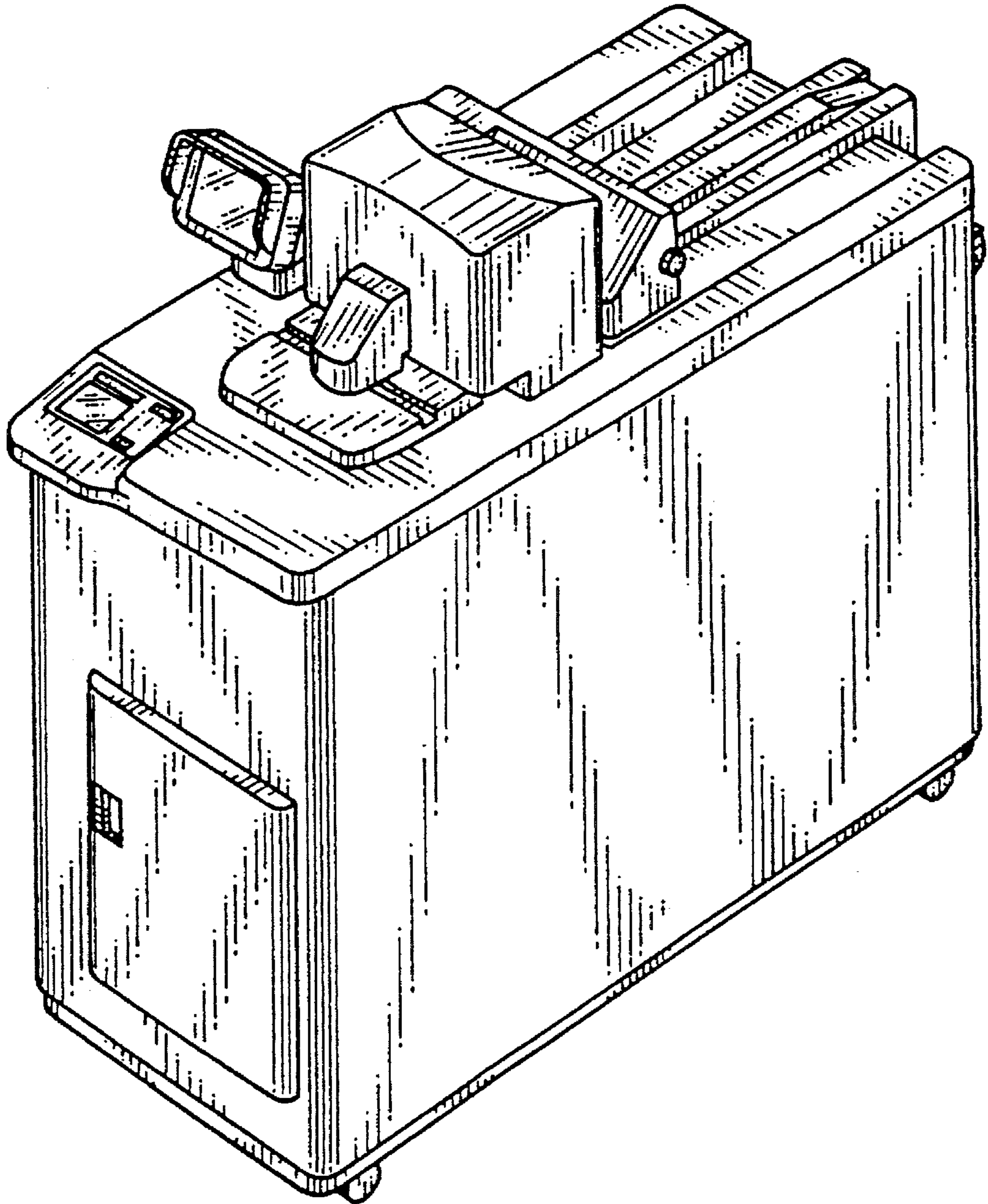


FIG. 2

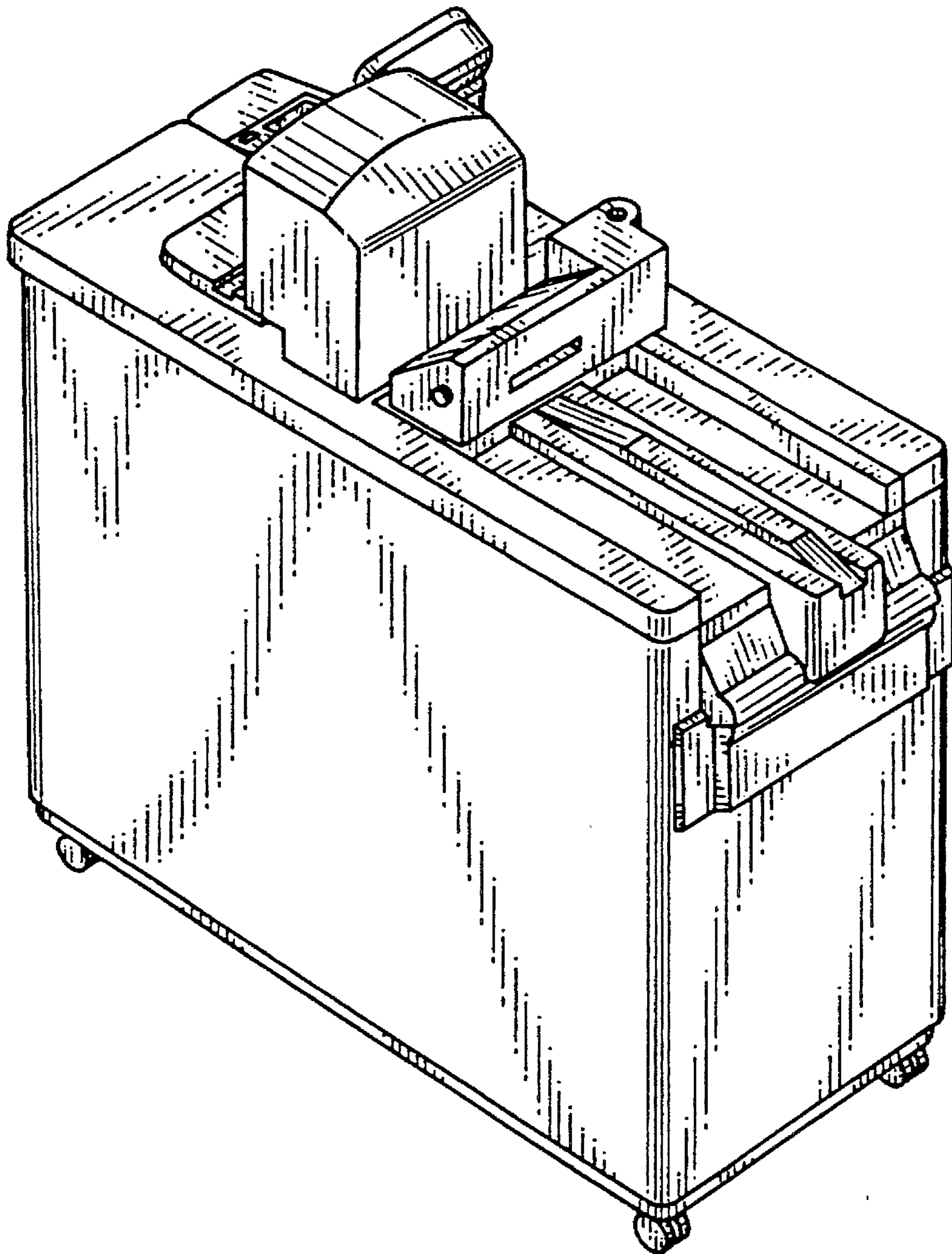


FIG. 3

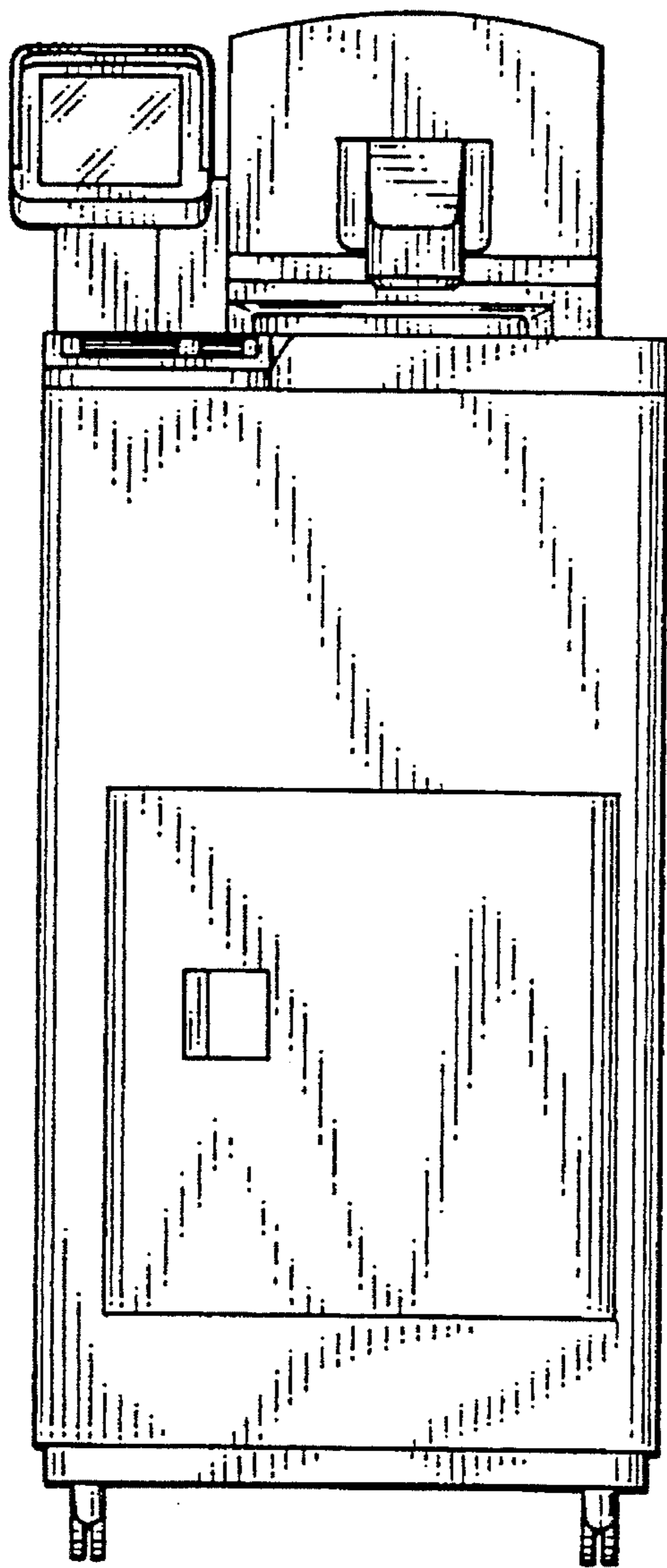


FIG. 4

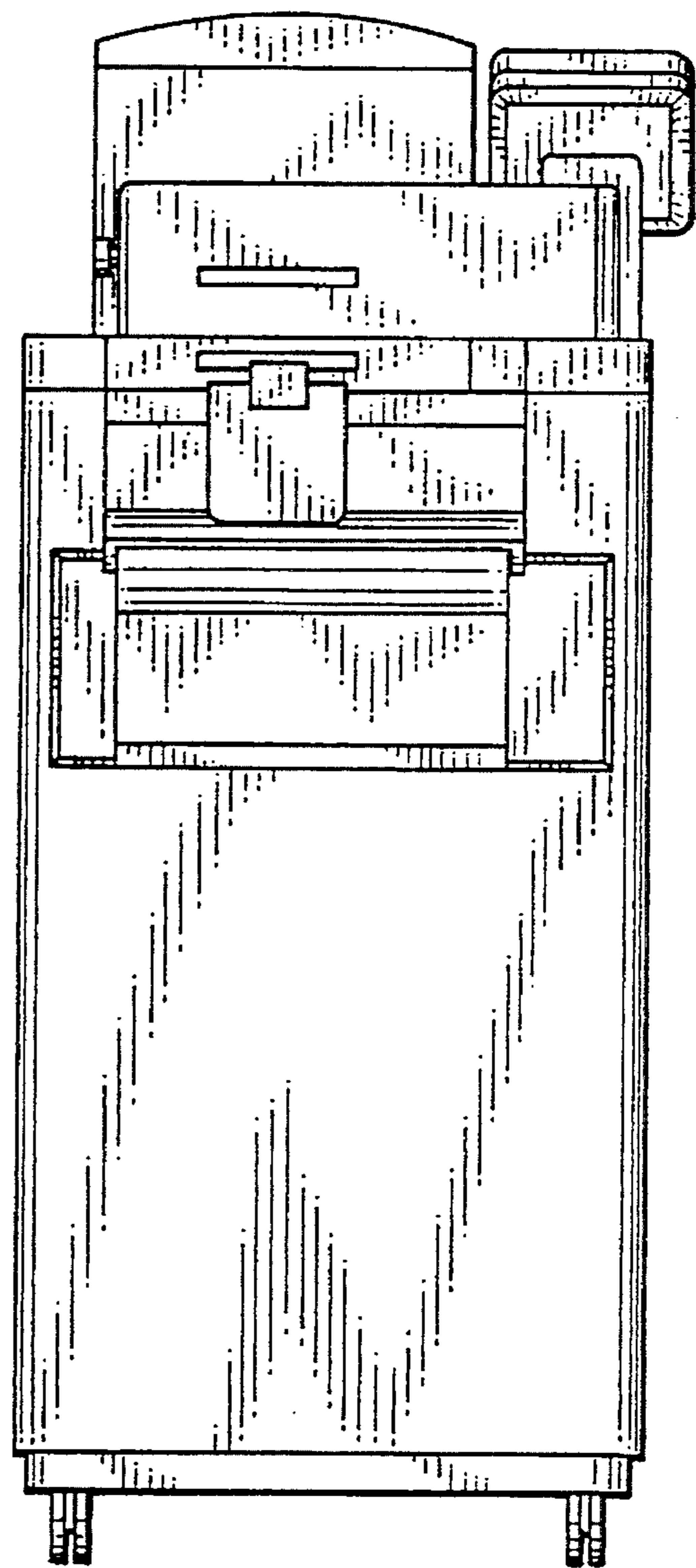


FIG. 5

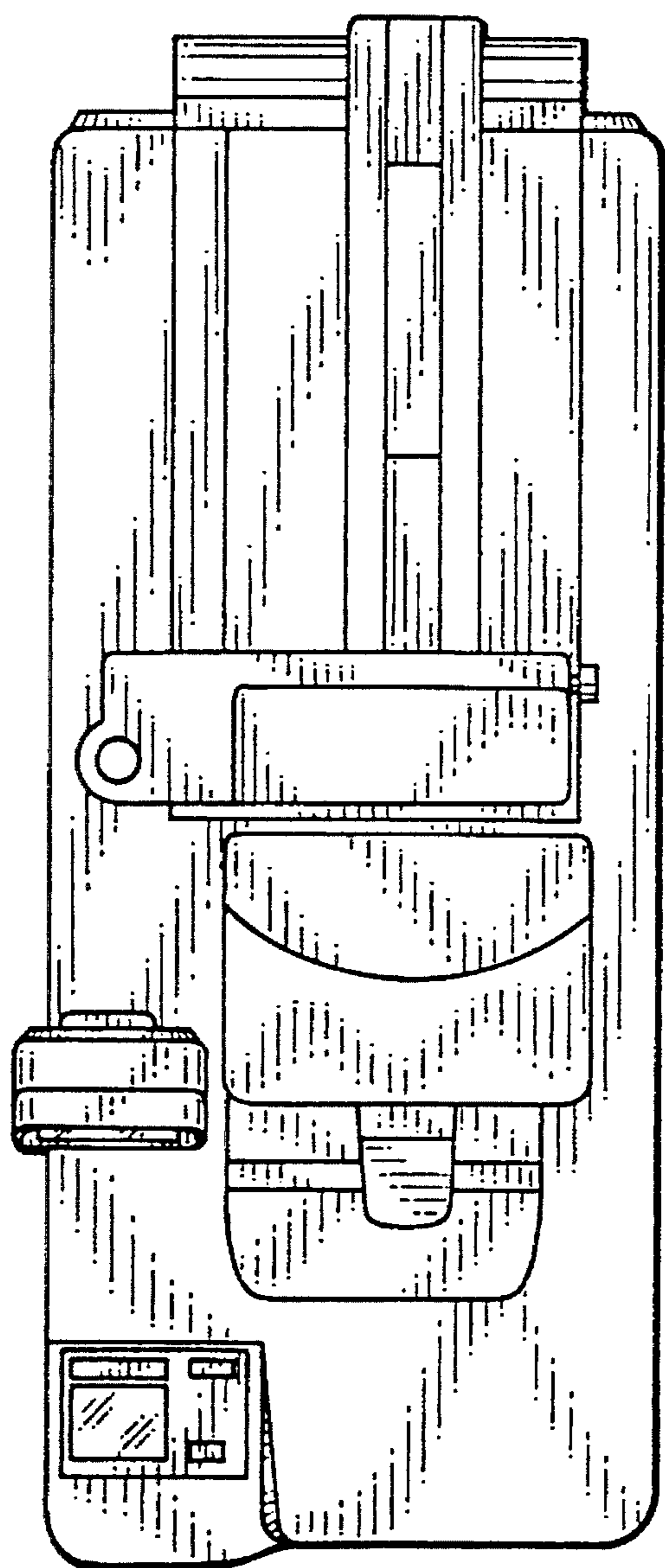


FIG. 6

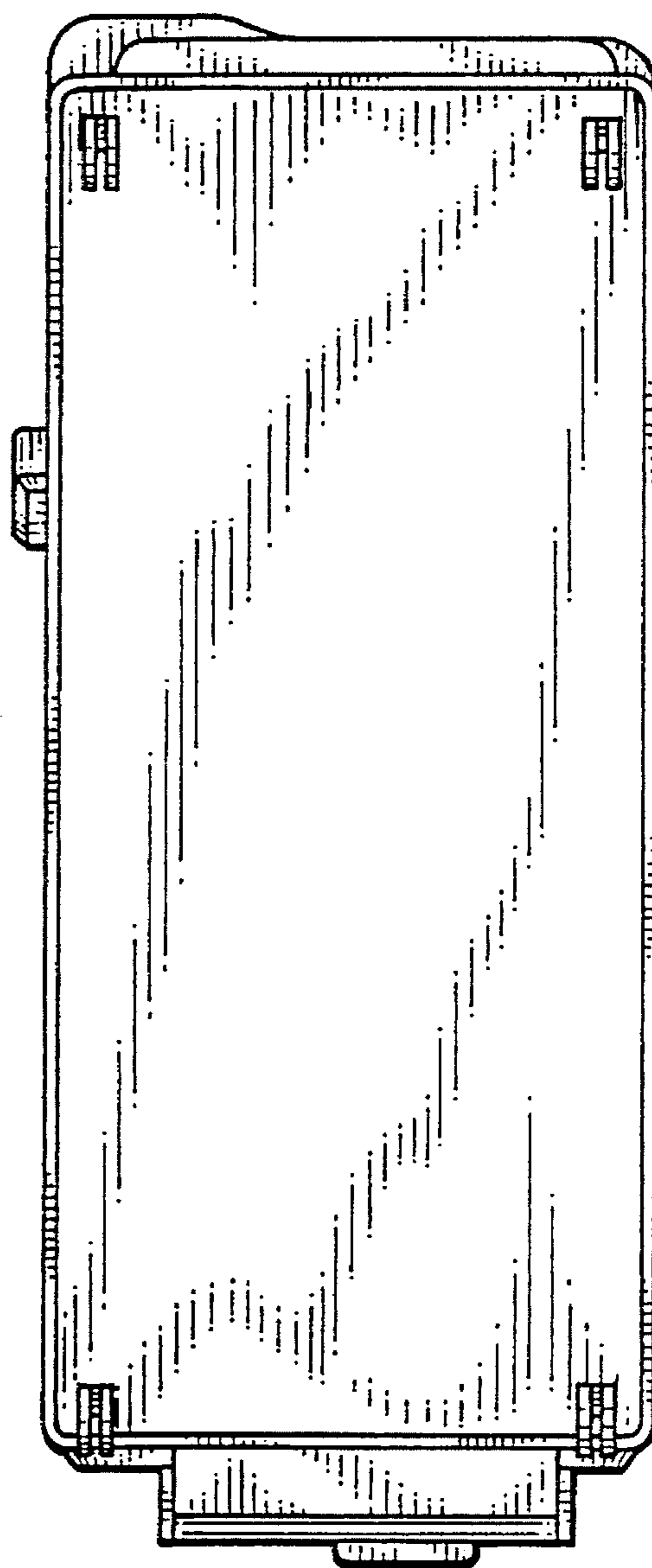


FIG. 7

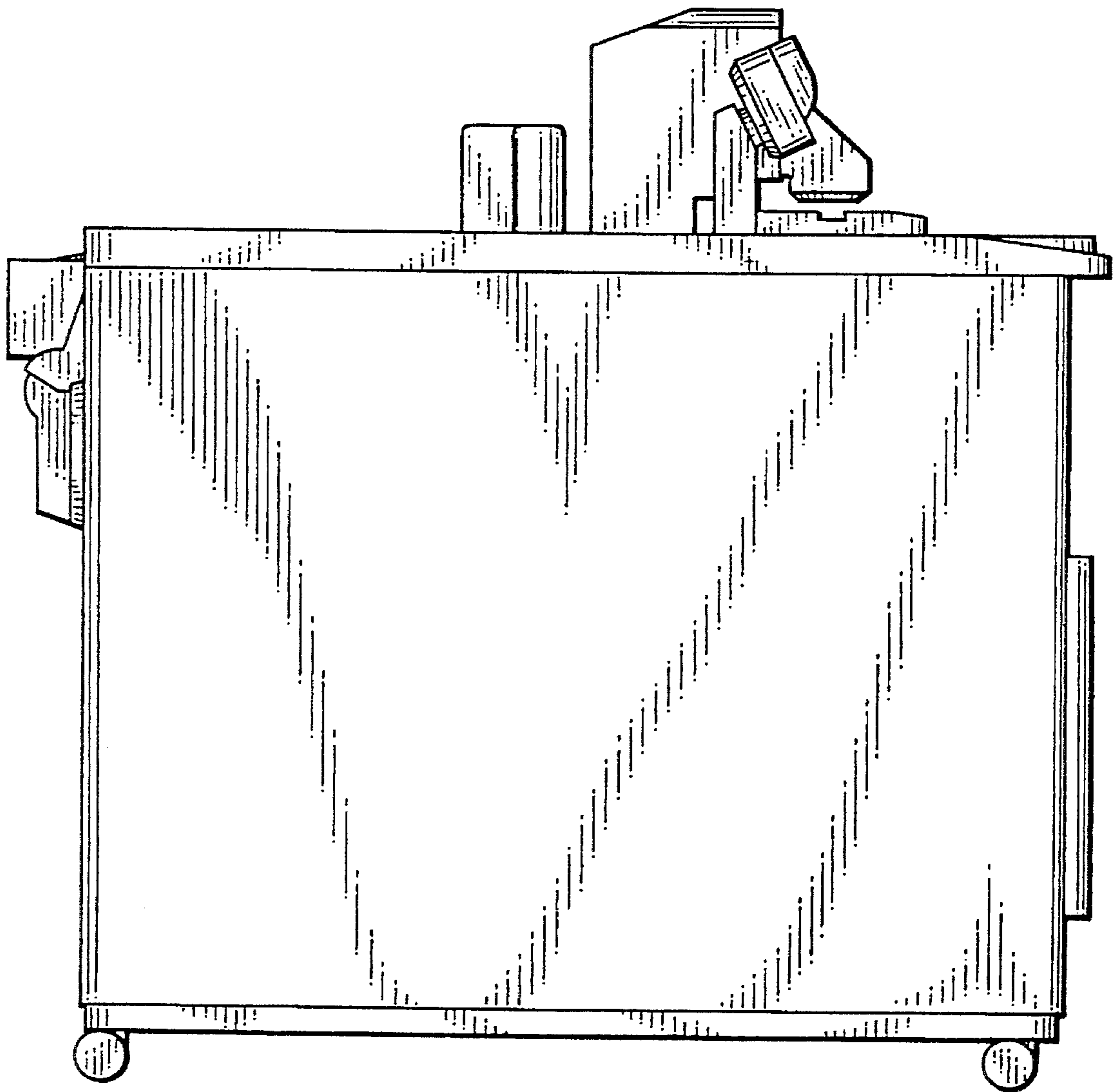


FIG. 8

