



US00D366271S

United States Patent [19] Hasegawa

[11] Patent Number: **Des. 366,271**

[45] Date of Patent: ****Jan. 16, 1996**

[54] SURVEILLANCE CAMERA BODY

[75] Inventor: **Fumio Hasegawa**, Nagoya, Japan

[73] Assignee: **Elmo Company Ltd.**, Japan

[**] Term: **14 Years**

[21] Appl. No.: **35,502**

[22] Filed: **Feb. 27, 1995**

[30] Foreign Application Priority Data

Aug. 26, 1994 [JP] Japan 6-25712

[52] U.S. Cl. **D16/203**

[58] Field of Search D16/200-205,
D16/208; 348/143, 207, 373-376; 352/242,
243; 354/82, 288; 358/906; H04N 5/225

[56] References Cited

U.S. PATENT DOCUMENTS

D. 277,961	3/1985	Shimizu et al.	D16/202
D. 303,674	9/1989	Shimizu et al.	D16/202
D. 307,915	5/1990	Kuester, III	D16/203
D. 339,598	9/1993	Shimizu	D16/203
3,259,410	7/1966	Neudecker et al.	352/242
4,028,730	6/1977	Miller	348/373
5,400,073	3/1995	Morioka et al.	348/375

FOREIGN PATENT DOCUMENTS

2-288555 11/1990 Japan H04N 5/225

OTHER PUBLICATIONS

Javelin Catalog, May 1973, p. E-21 (CC 700 Television Camera).

ELMO Brochure, "Multimedia Human Communication Systems"; pp. 6, 7, 11 and 12, published Sep., 1994.

Primary Examiner—Ted Shooman

Assistant Examiner—Adir Aronovich

Attorney, Agent, or Firm—Ostrolenk, Faber, Gerb & Soffen

[57] CLAIM

The ornamental design for a surveillance camera body, as shown.

DESCRIPTION

FIG. 1 is a front view of the surveillance camera body embodying my new design;

FIG. 2 is a rear view thereof;

FIG. 3 is a top plane view thereof;

FIG. 4 is a bottom side view thereof;

FIG. 5 is a left side view thereof;

FIG. 6 is a right side view thereof;

FIG. 7 is a perspective view as seen from the top and front of FIG. 1; and,

FIG. 8 is a perspective view as seen from the top and front of FIG. 1 with a camera lens being fixed.

1 Claim, 8 Drawing Sheets

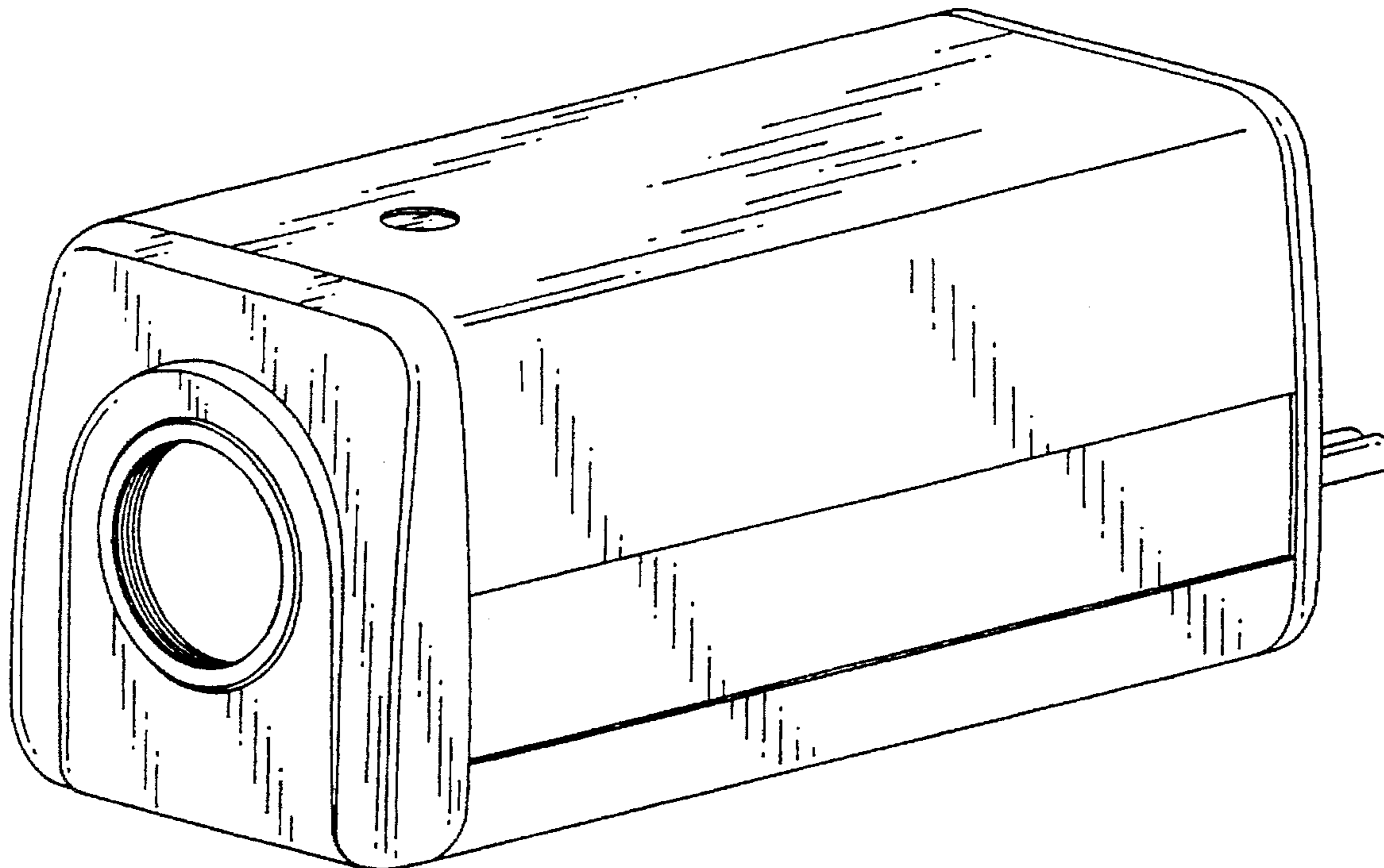


Fig. 1

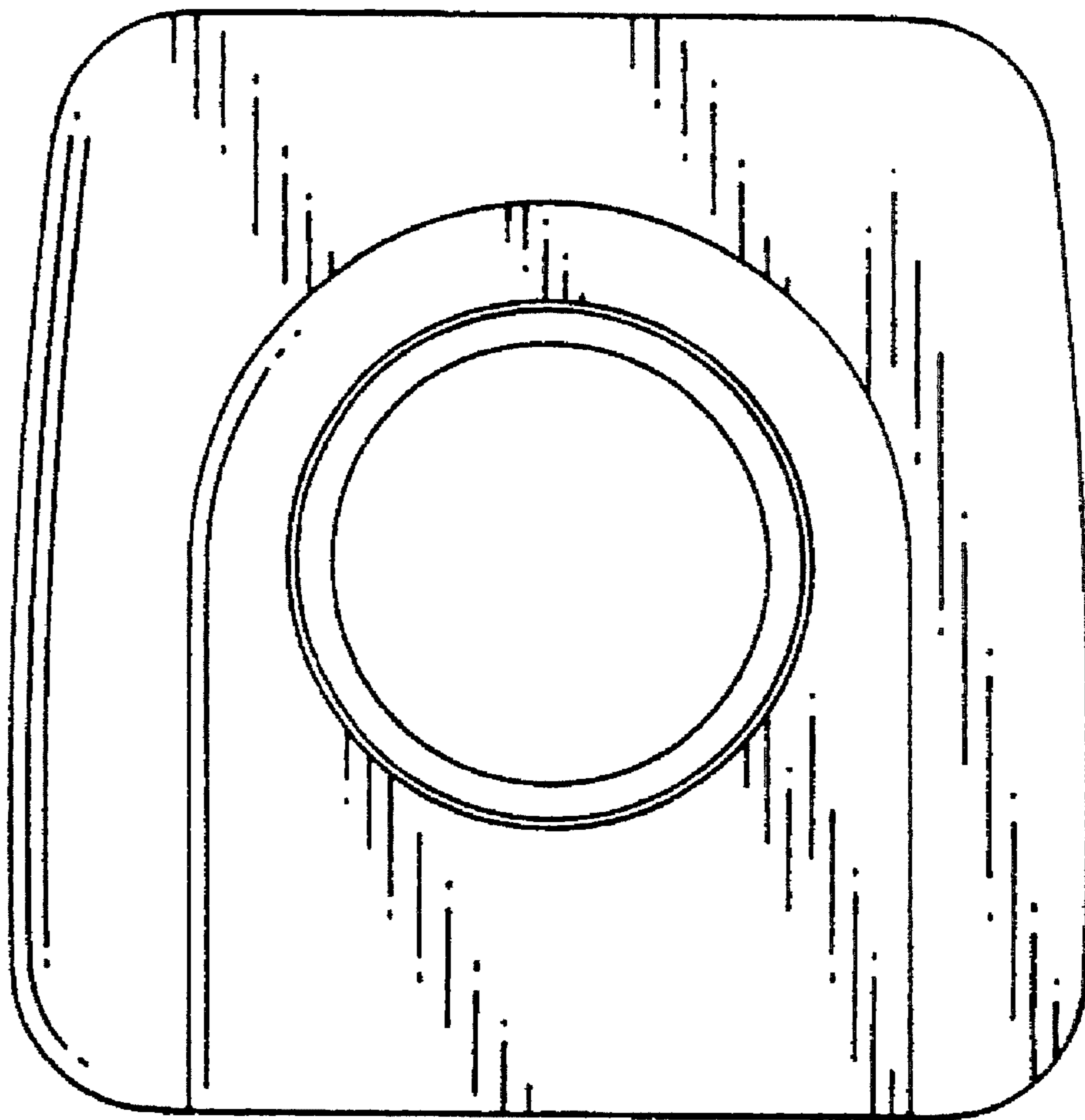


Fig. 2

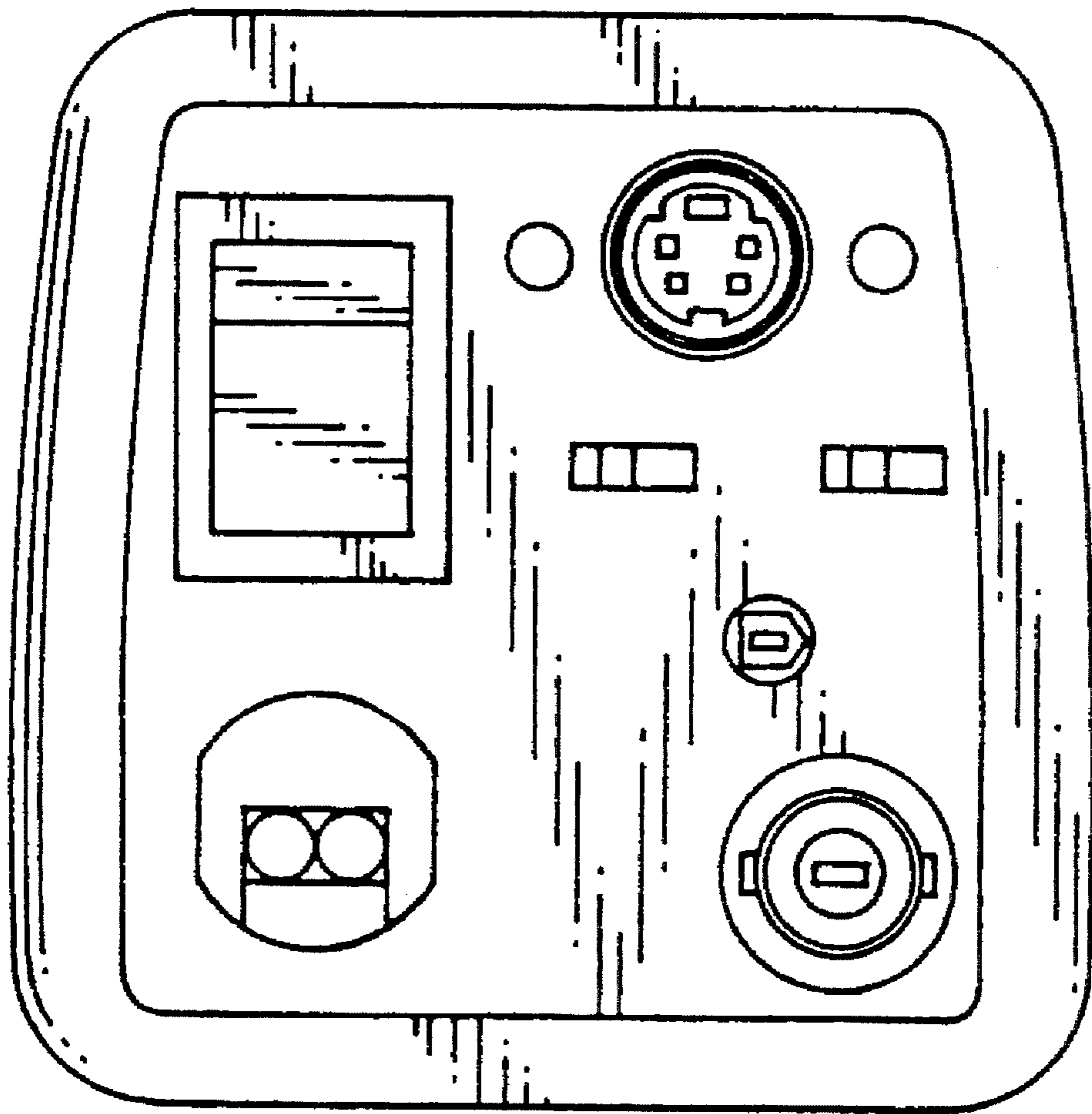


Fig. 3

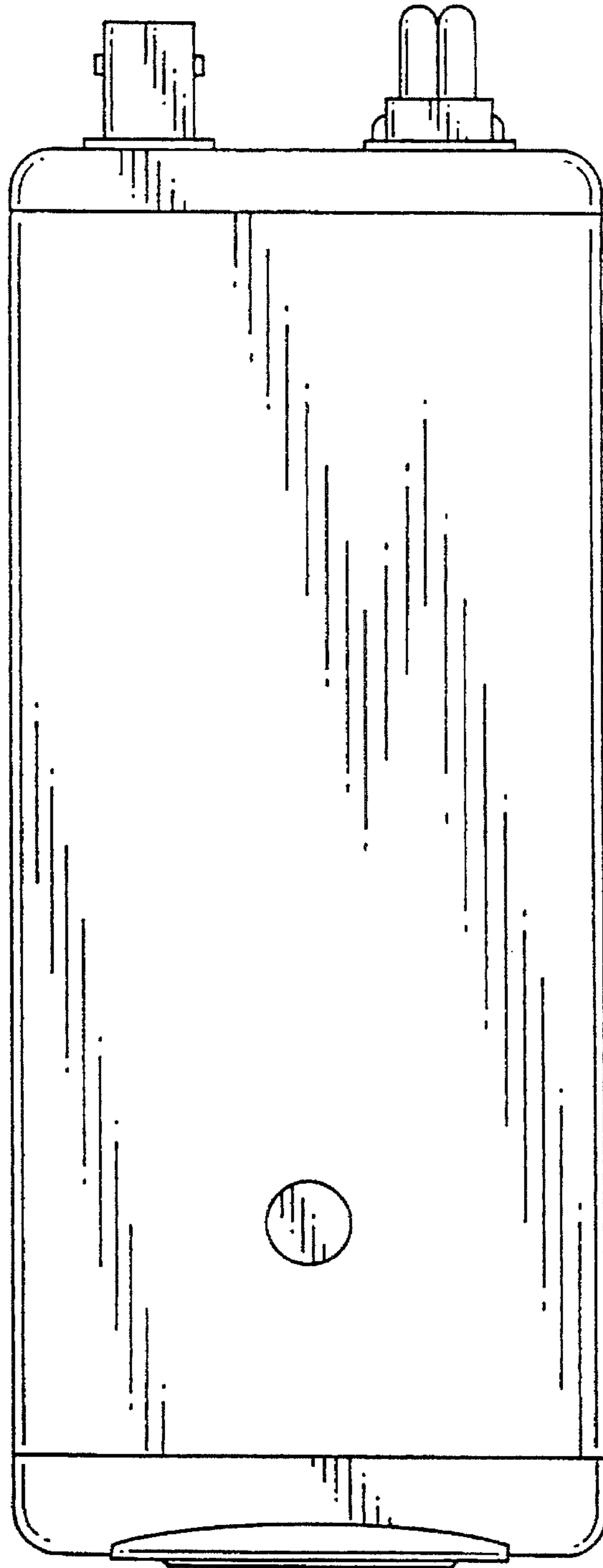


Fig. 4

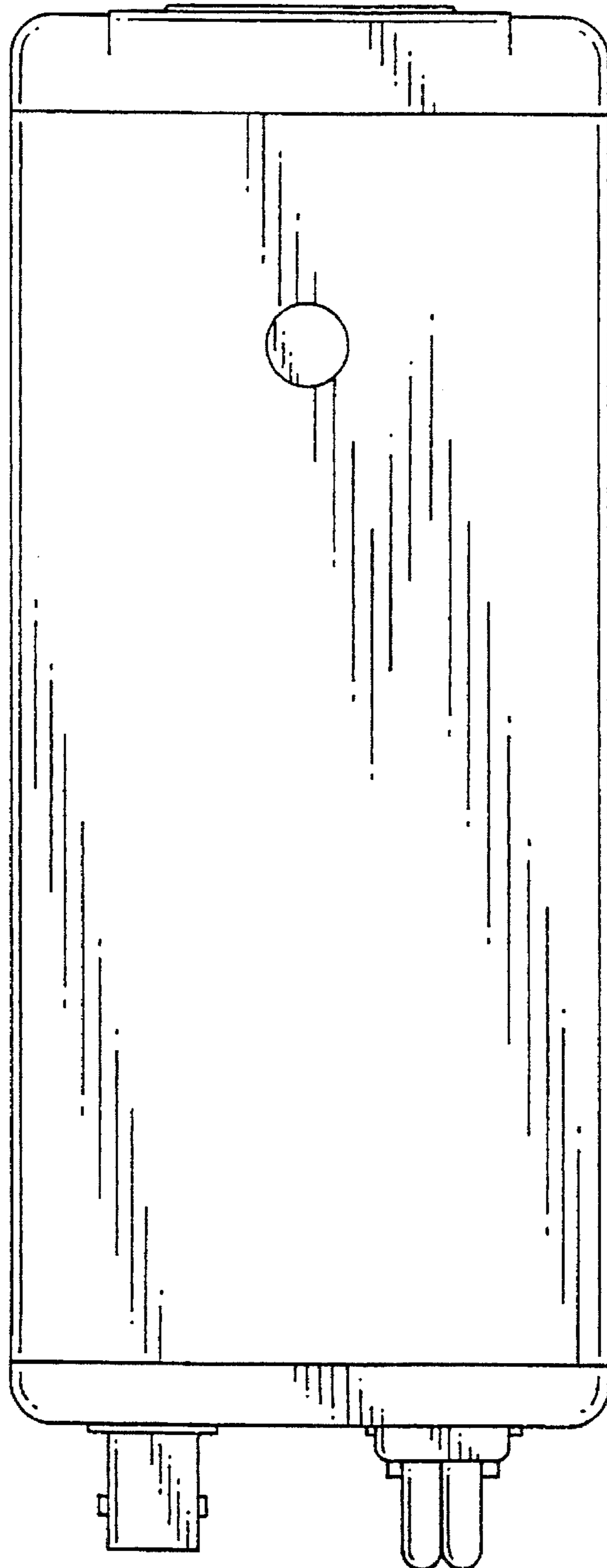


Fig. 5

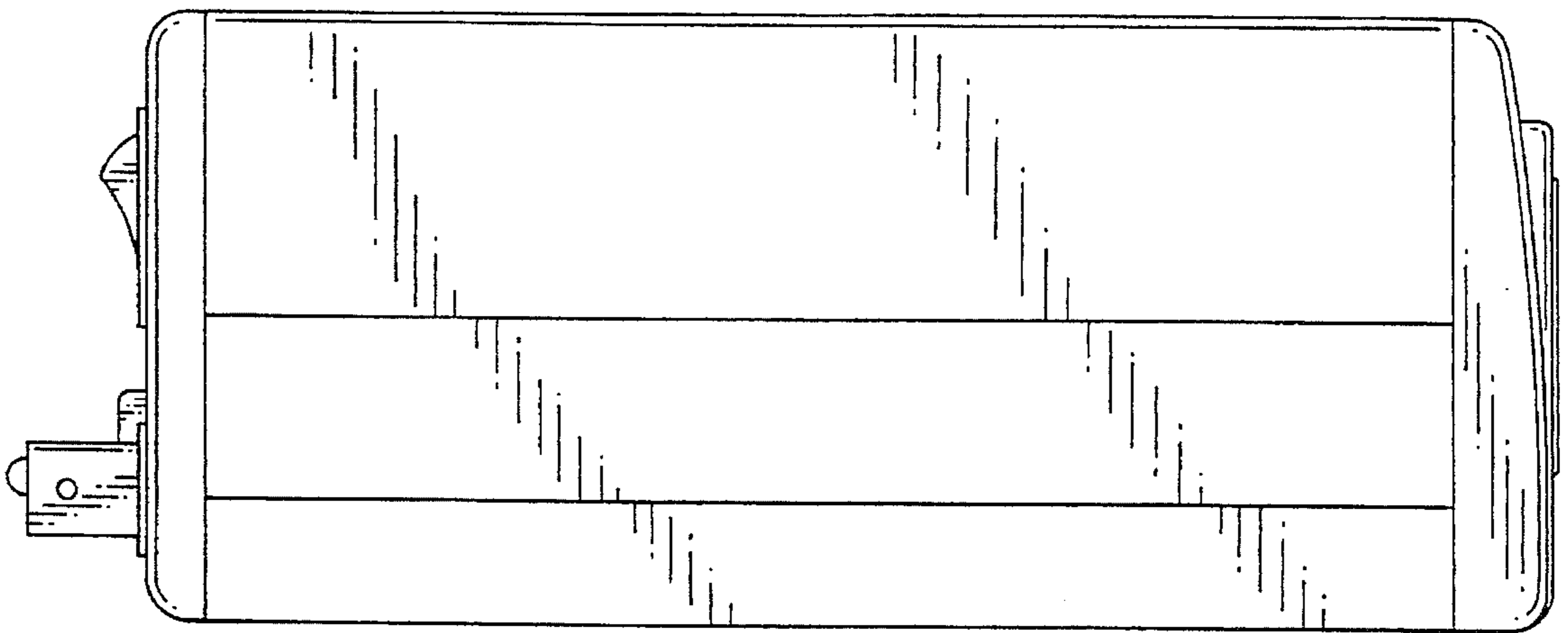


Fig. 6

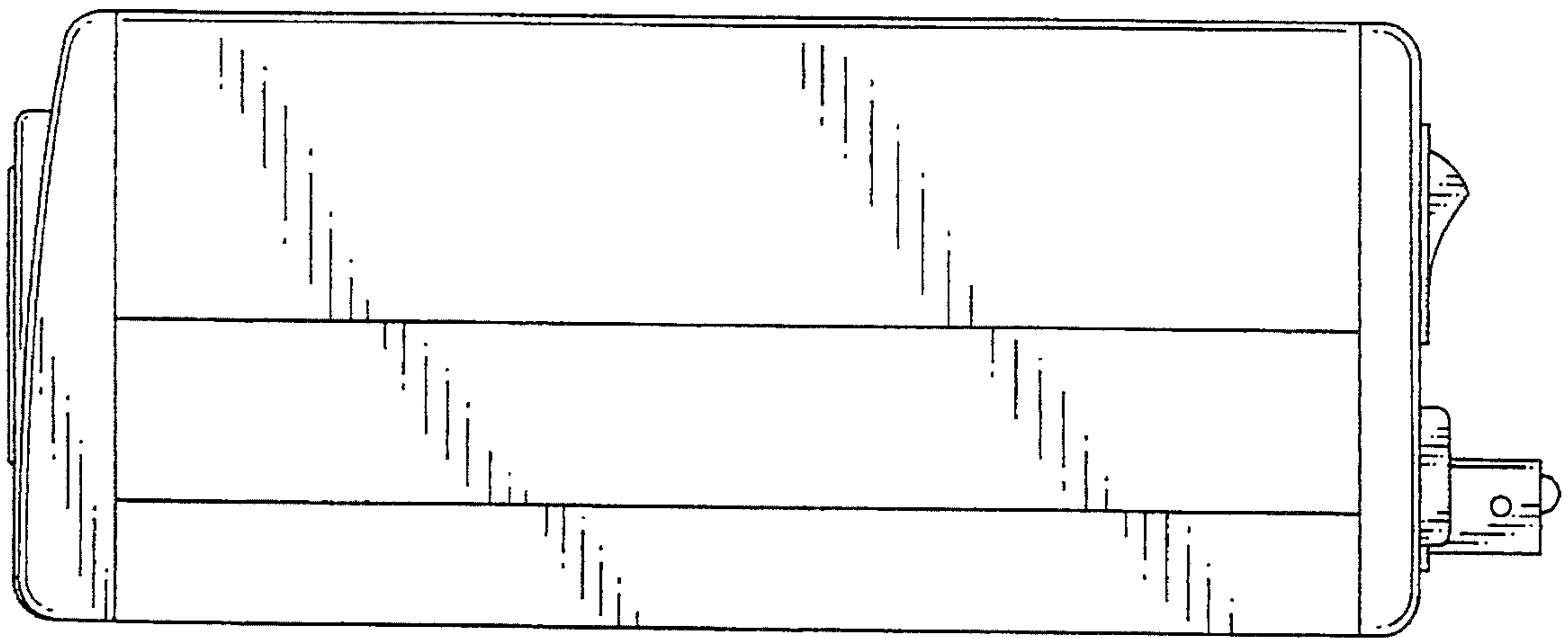


Fig. 7

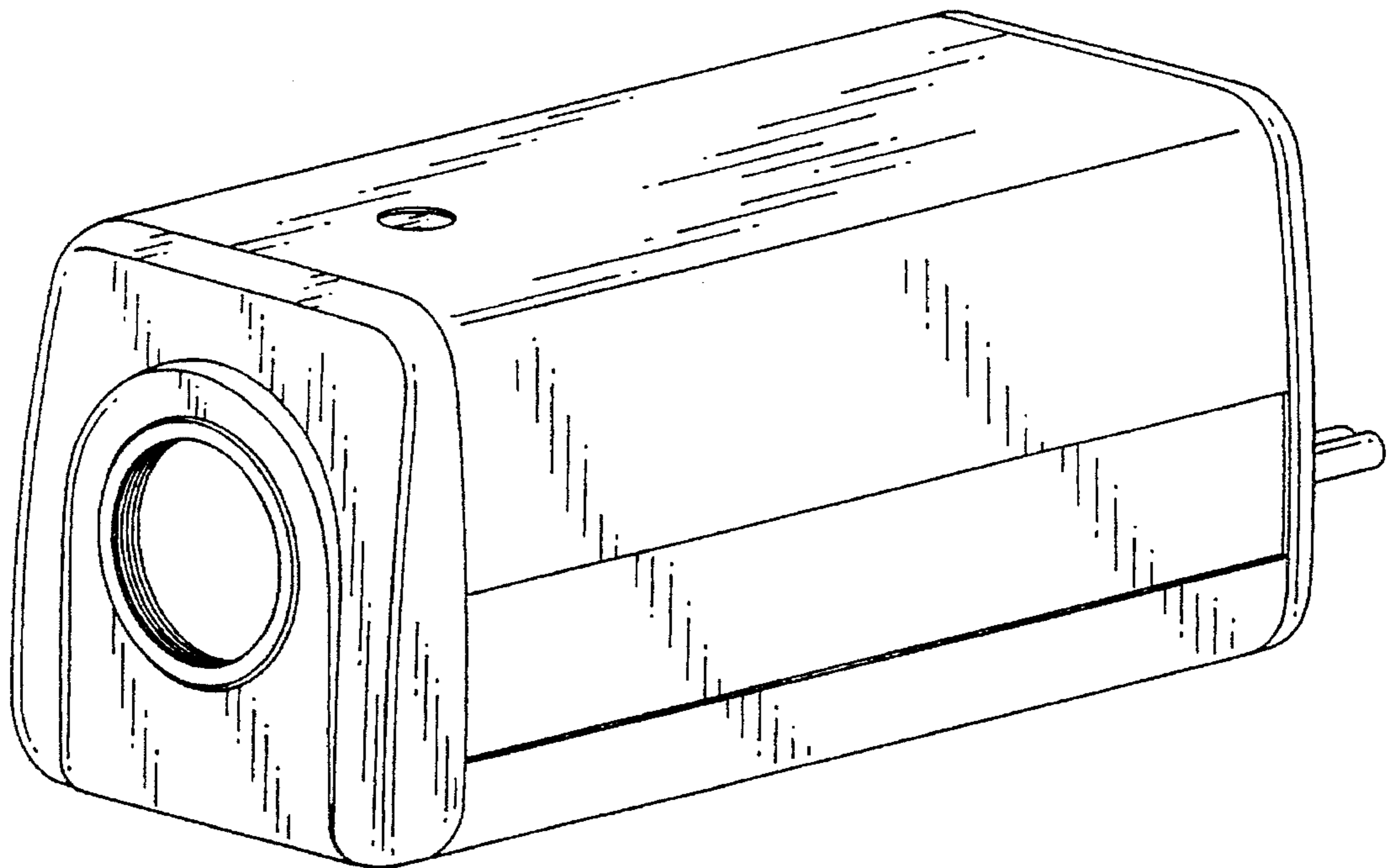


Fig. 8

