



US00D366270S

United States Patent [19]
Hasegawa

[11] **Patent Number: Des. 366,270**
[45] **Date of Patent: **Jan. 16, 1996**

[54] **SURVEILLANCE CAMERA BODY**

[75] Inventor: **Fumio Hasegawa**, Nagoya, Japan
[73] Assignee: **Elmo Company Limited**, Japan
[**] Term: **14 Years**

[21] Appl. No.: **35,308**
[22] Filed: **Feb. 24, 1995**

[30] **Foreign Application Priority Data**

Aug. 26, 1994 [JP] Japan 6-25711
[52] **U.S. Cl.** **D16/203**
[58] **Field of Search** D16/200-205,
D16/208; 348/143, 207, 373-376; 352/242,
243; 354/82, 288; 358/906; H04N 5/225

[56] **References Cited**

U.S. PATENT DOCUMENTS

D. 218,072	7/1970	Moreno	D16/203
D. 220,406	4/1971	Hardy	D16/203
D. 312,649	12/1990	Sakuta	D16/203
D. 339,598	9/1993	Shimizu	D16/203
3,259,410	7/1966	Neudecker et al.	352/242
4,028,730	6/1977	Miller	348/373
5,400,073	3/1995	Morioka et al.	348/375

FOREIGN PATENT DOCUMENTS

2-288555 11/1990 Japan H04N 5/225

OTHER PUBLICATIONS

Javelin Catalog, May 1973, p. E-21 (CC 700 Television Camera).
ELMO Brochure, "Multimedia Human Communication Systems"; pp. 6, 7, 11 and 12, published Sep., 1994.

Primary Examiner—Ted Shooman
Assistant Examiner—Adir Aronovich
Attorney, Agent, or Firm—Ostrolenk, Faber, Gerb & Soffen

[57] **CLAIM**

The ornamental design for a surveillance camera body, as shown.

DESCRIPTION

FIG. 1 is a front view of the surveillance camera body embodying my new design;
FIG. 2 is a rear view thereof;
FIG. 3 is a top plane view thereof;
FIG. 4 is a bottom side view thereof;
FIG. 5 is a left side view thereof;
FIG. 6 is a right side view thereof;
FIG. 7 is a perspective view as seen from the top and front of FIG. 1; and,
FIG. 8 is a perspective view as seen from the top and front of FIG. 1 with a camera lens being fixed.

1 Claim, 8 Drawing Sheets

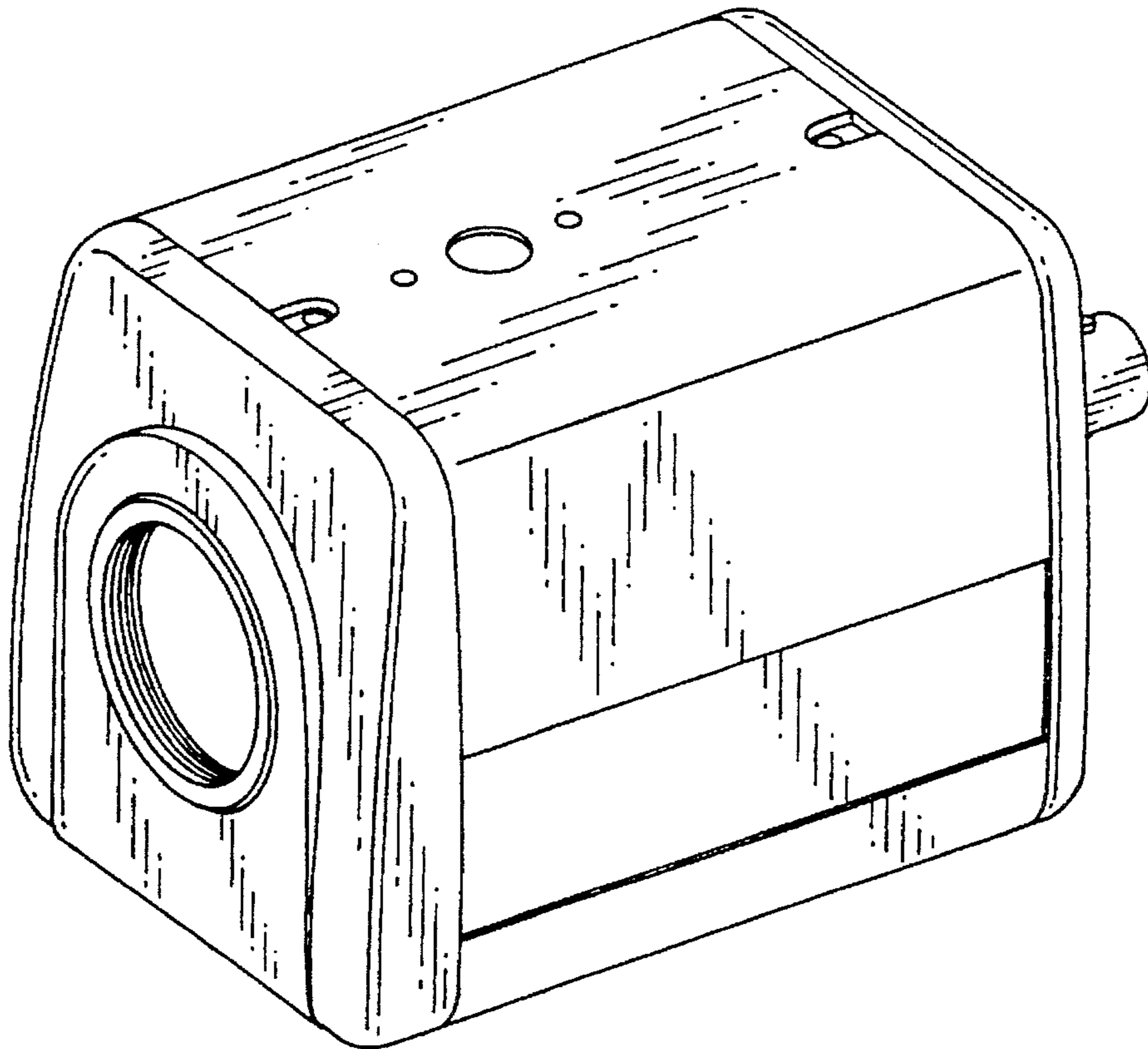


Fig. 1

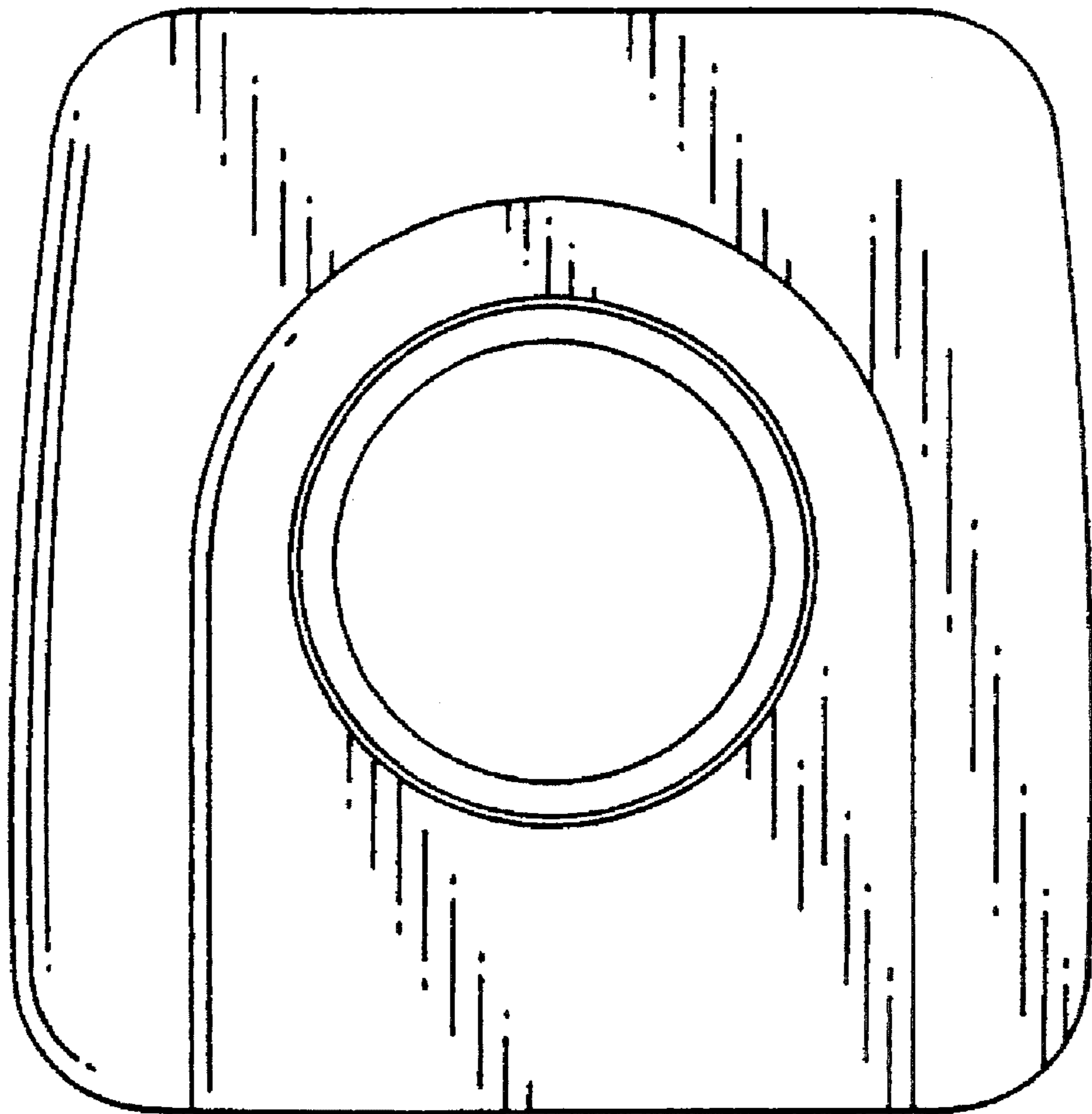


Fig. 2

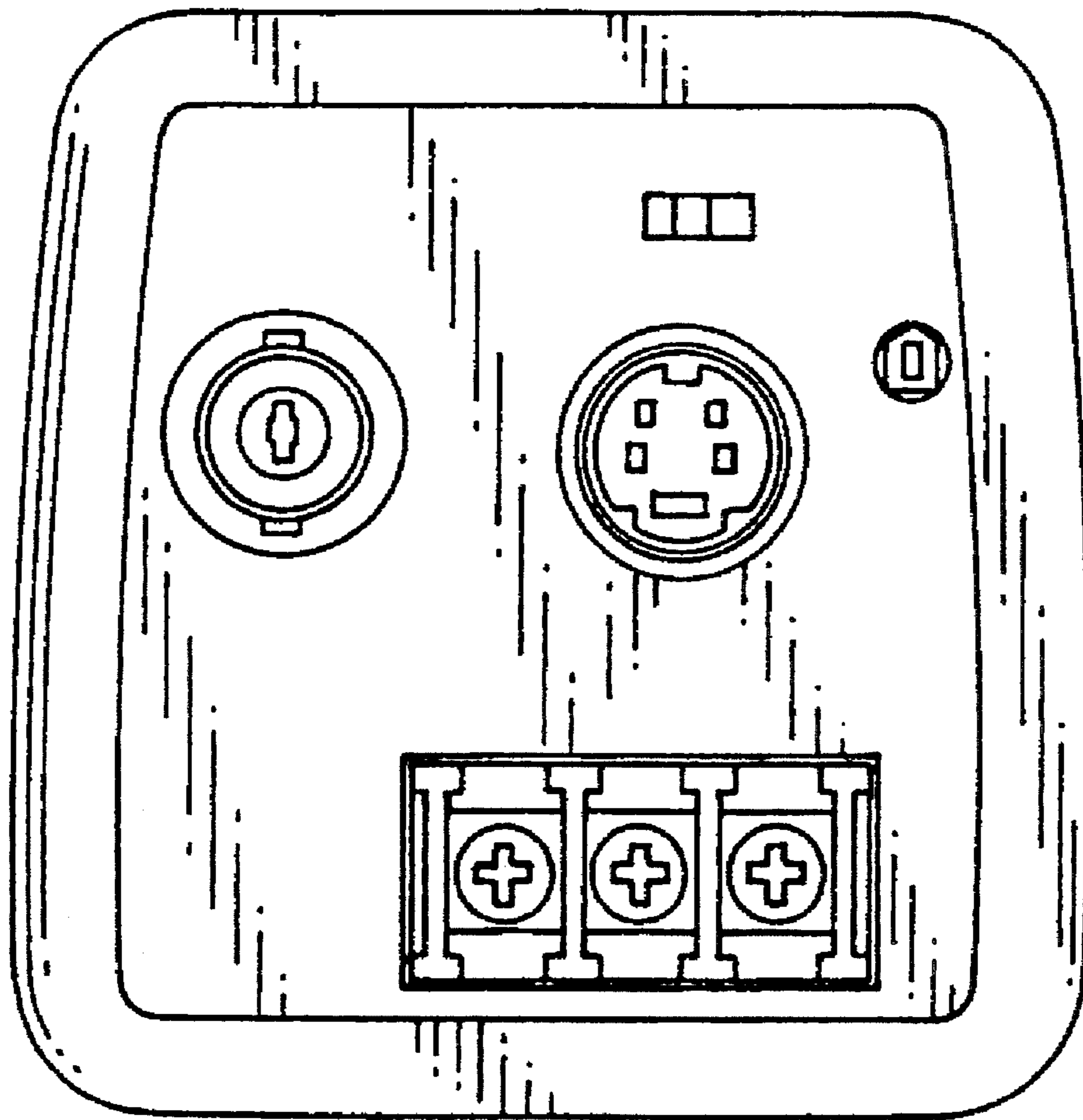


Fig. 3

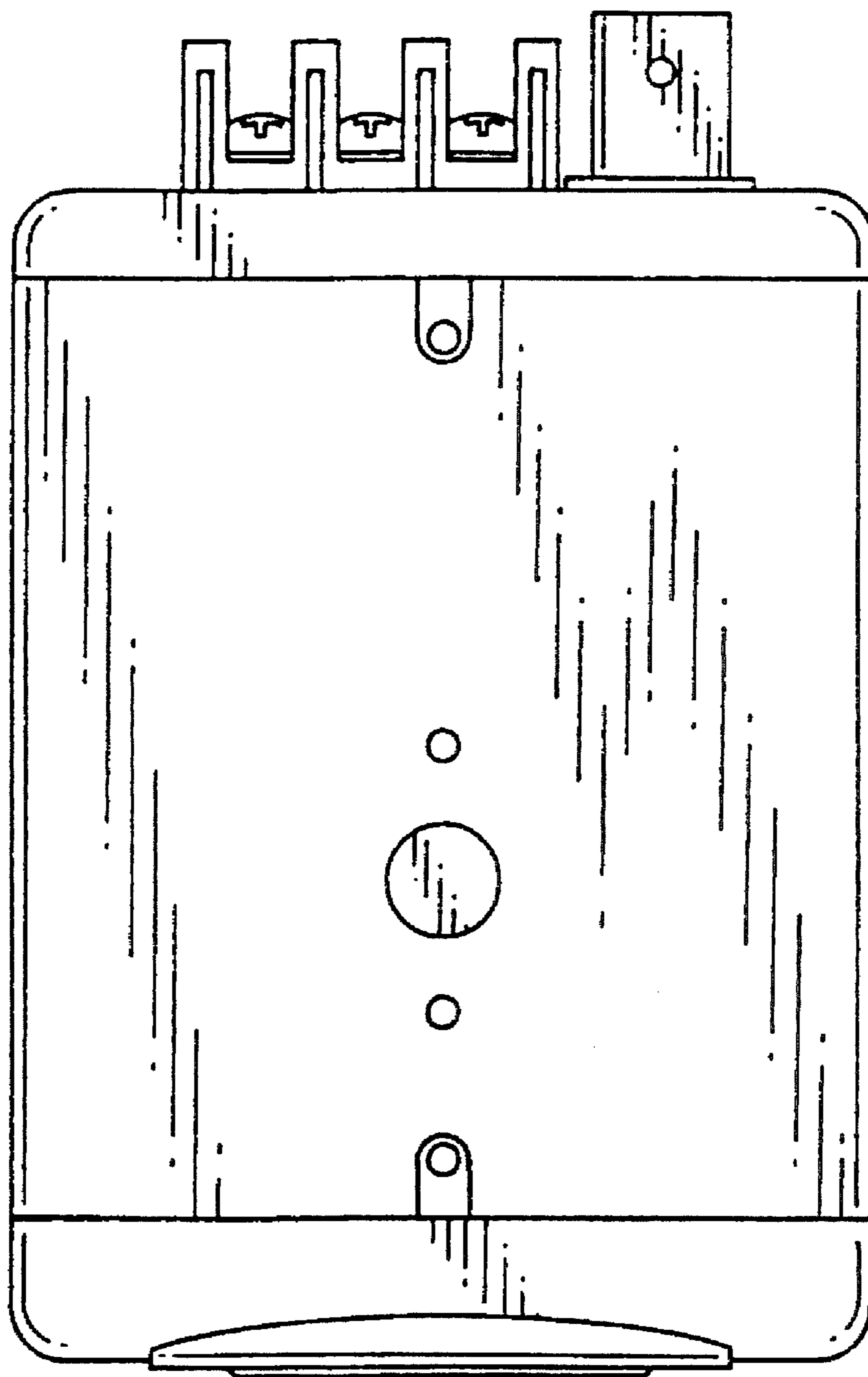


Fig. 4

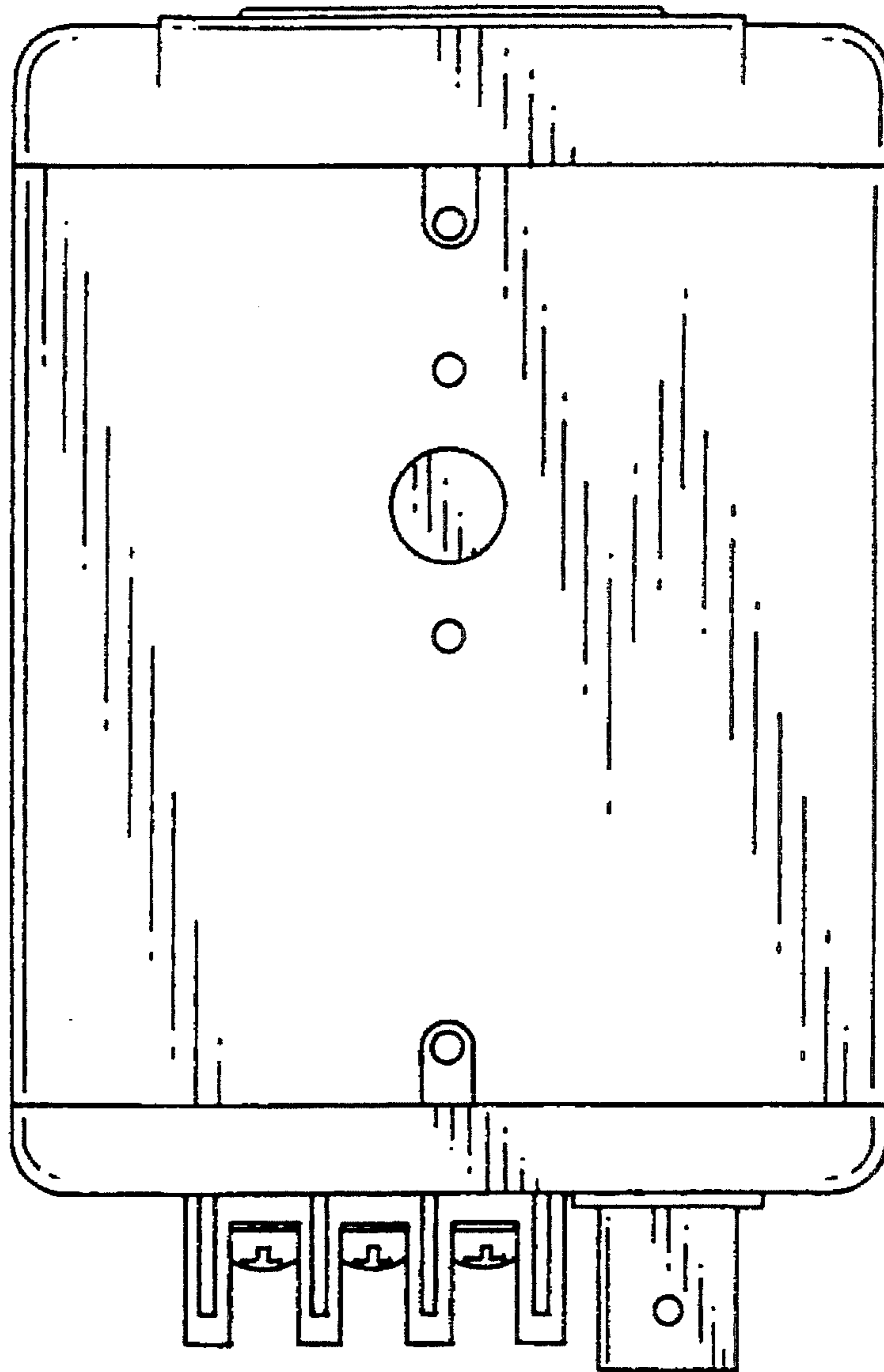


Fig. 5

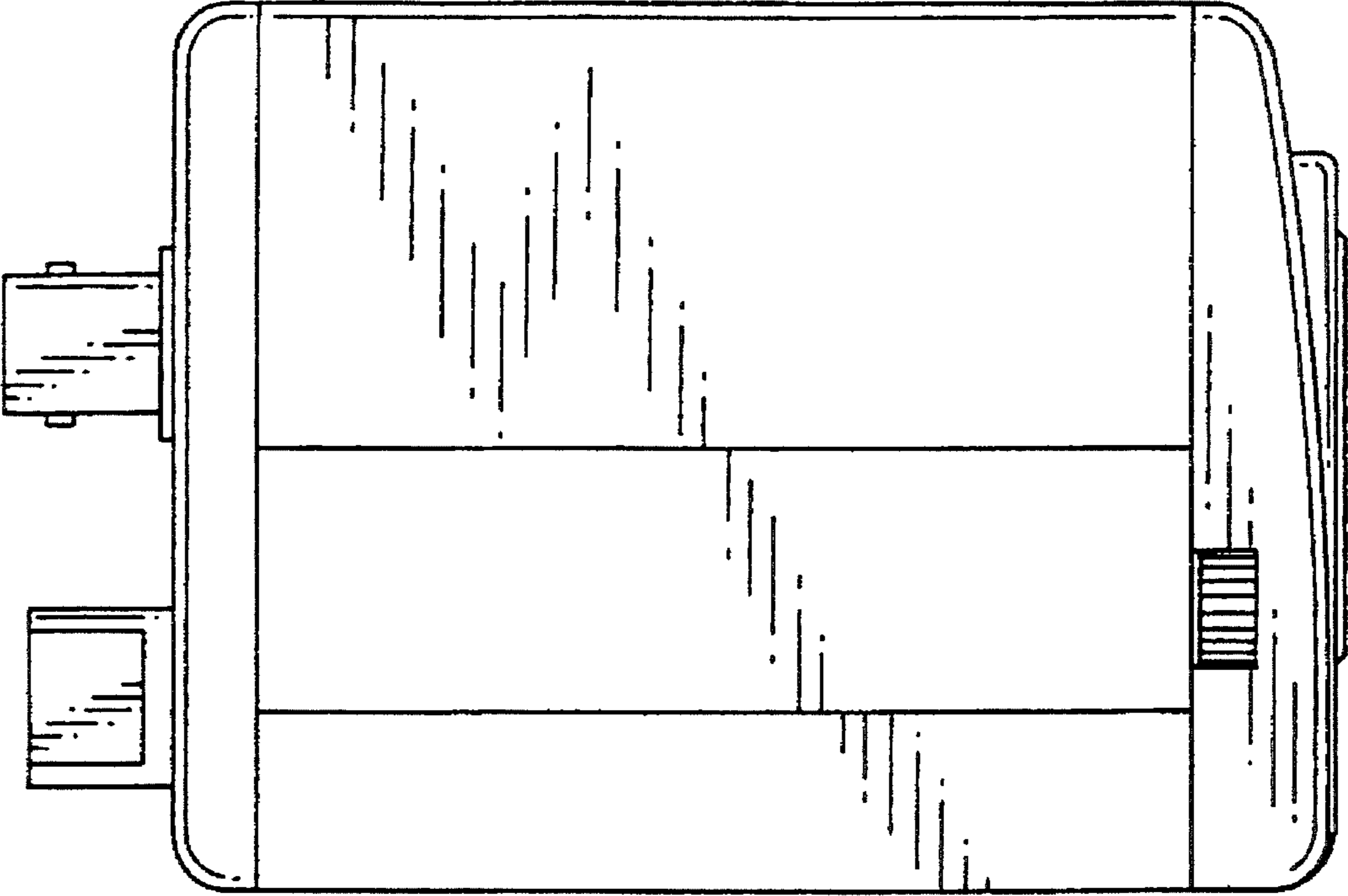


Fig. 6

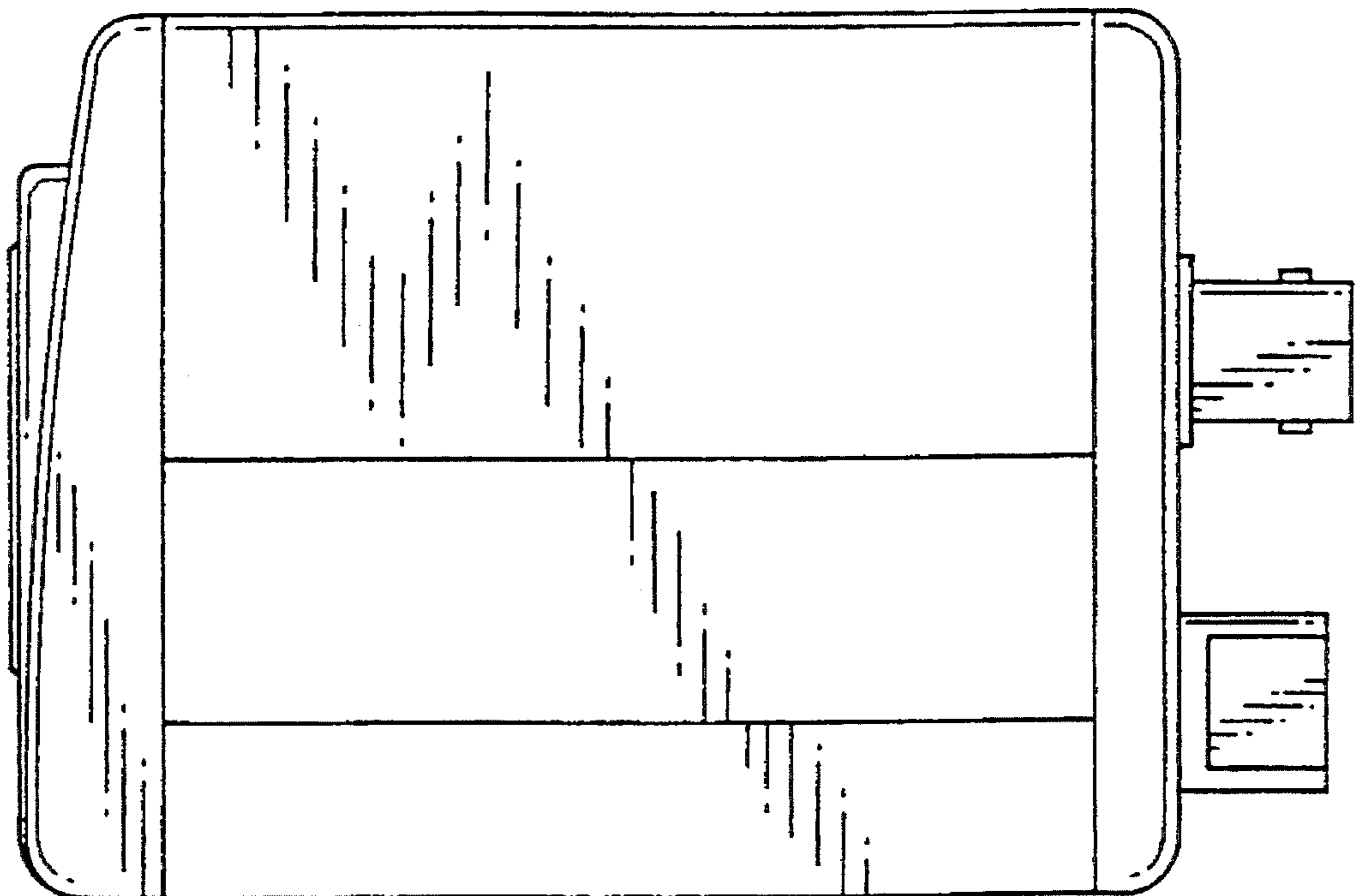


Fig. 7

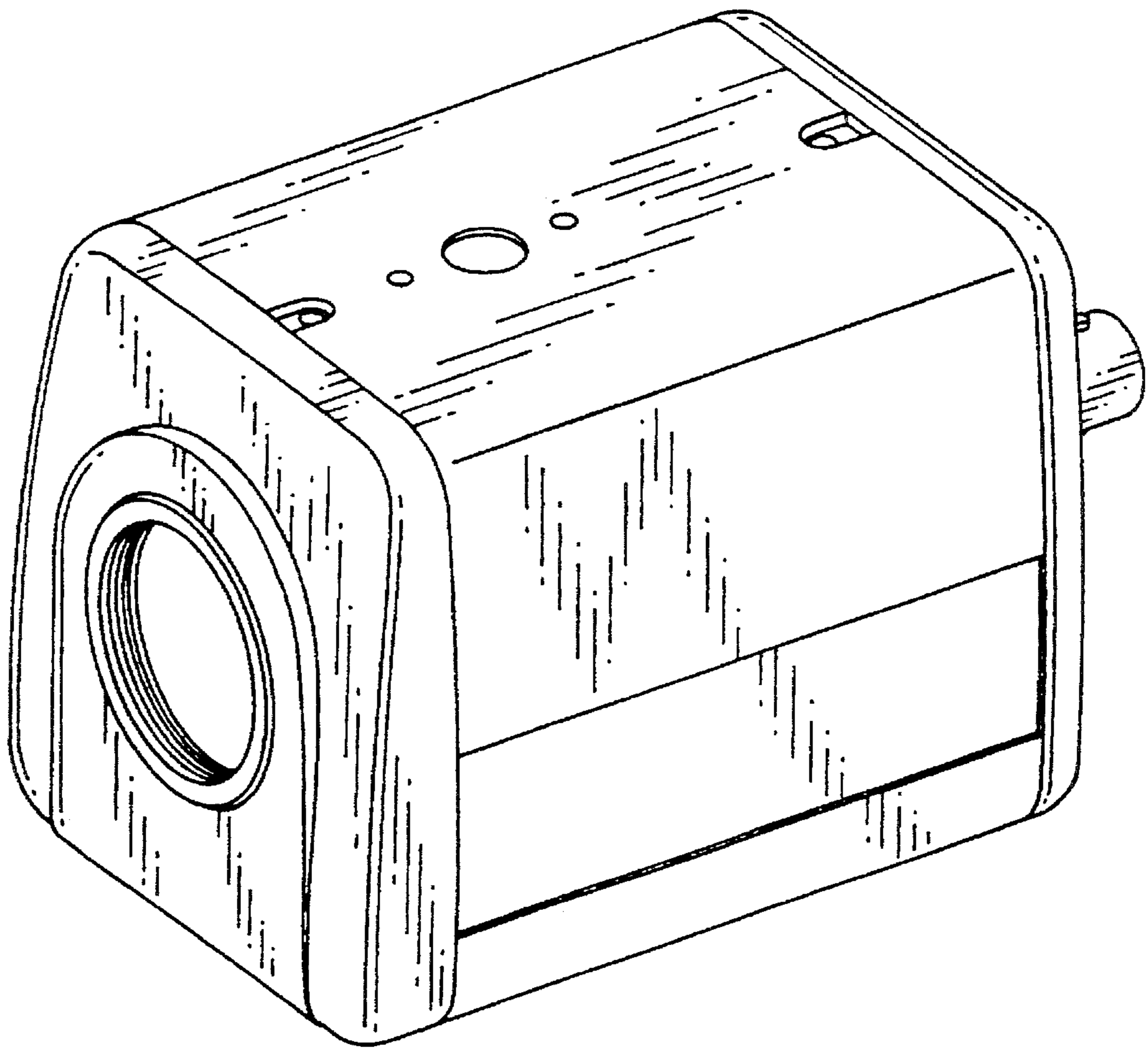


Fig. 8

