



US00D366269S

# United States Patent [19]

Ohi et al.

[11] Patent Number: **Des. 366,269**

[45] Date of Patent: **\*\*Jan. 16, 1996**

[54] **COMBINED MONITOR VIDEO TAPE RECORDER AND VIDEO CAMERA**

5-153448 6/1993 Japan ..... H04N 5/225

[75] Inventors: **Hiroshi Ohi; Seiji Kurokawa; Katsunori Kume**, all of Tochigi, Japan

[73] Assignee: **Sharp Kabushiki Kaisha**, Osaka, Japan

[\*\*] Term: **14 Years**

[21] Appl. No.: **37,530**

[22] Filed: **Apr. 17, 1995**

### [30] Foreign Application Priority Data

Dec. 9, 1994 [JP] Japan ..... 6-37808

[52] U.S. Cl. .... **D16/202**

[58] Field of Search ..... D16/200-206, D16/208; 348/373-376; 352/34, 242; 354/82, 288, 75, 76; 358/906, 909.1; H04N 5/225

### [56] References Cited

#### U.S. PATENT DOCUMENTS

- D. 352,728 11/1994 Kurokawa et al. .... D16/202
- D. 352,729 11/1994 Tsujimura et al. .... D16/202
- D. 356,097 3/1995 Sakata et al. .... D16/202
- D. 356,326 3/1995 Miyashita ..... D16/202
- D. 361,079 8/1995 Ono ..... D16/202
- D. 361,584 8/1995 Mori ..... D16/202
- 4,873,576 10/1989 Hattori et al. .... 348/373

#### FOREIGN PATENT DOCUMENTS

581286A1 2/1994 European Pat. Off. .... H04N 5/225

### OTHER PUBLICATIONS

Sony Catalog, Feb. 1994 Cover Page (Handican CoMix).

Primary Examiner—Ted Shooman  
Assistant Examiner—Adir Aronovich  
Attorney, Agent, or Firm—Nixon & Vanderhye

### [57] CLAIM

The ornamental design for a combined monitor, video tape recorder and video camera, as shown and described.

### DESCRIPTION

FIG. 1 is a top, front and right side perspective view of a combined monitor, video tape recorder and video camera according to our design;

FIG. 2 is a top, rear and left side elevational view thereof;

FIG. 3 is a perspective view similar to FIG. 2 with the tape deck section rotated 180° relative to the camera section;

FIG. 4 is a perspective view similar to FIG. 1 with the tape deck section rotated 180° relative to the camera section;

FIG. 5 is a top plan view of the combined monitor, video tape recorder and video camera illustrated in FIG. 1;

FIG. 6 is a front elevational view thereof;

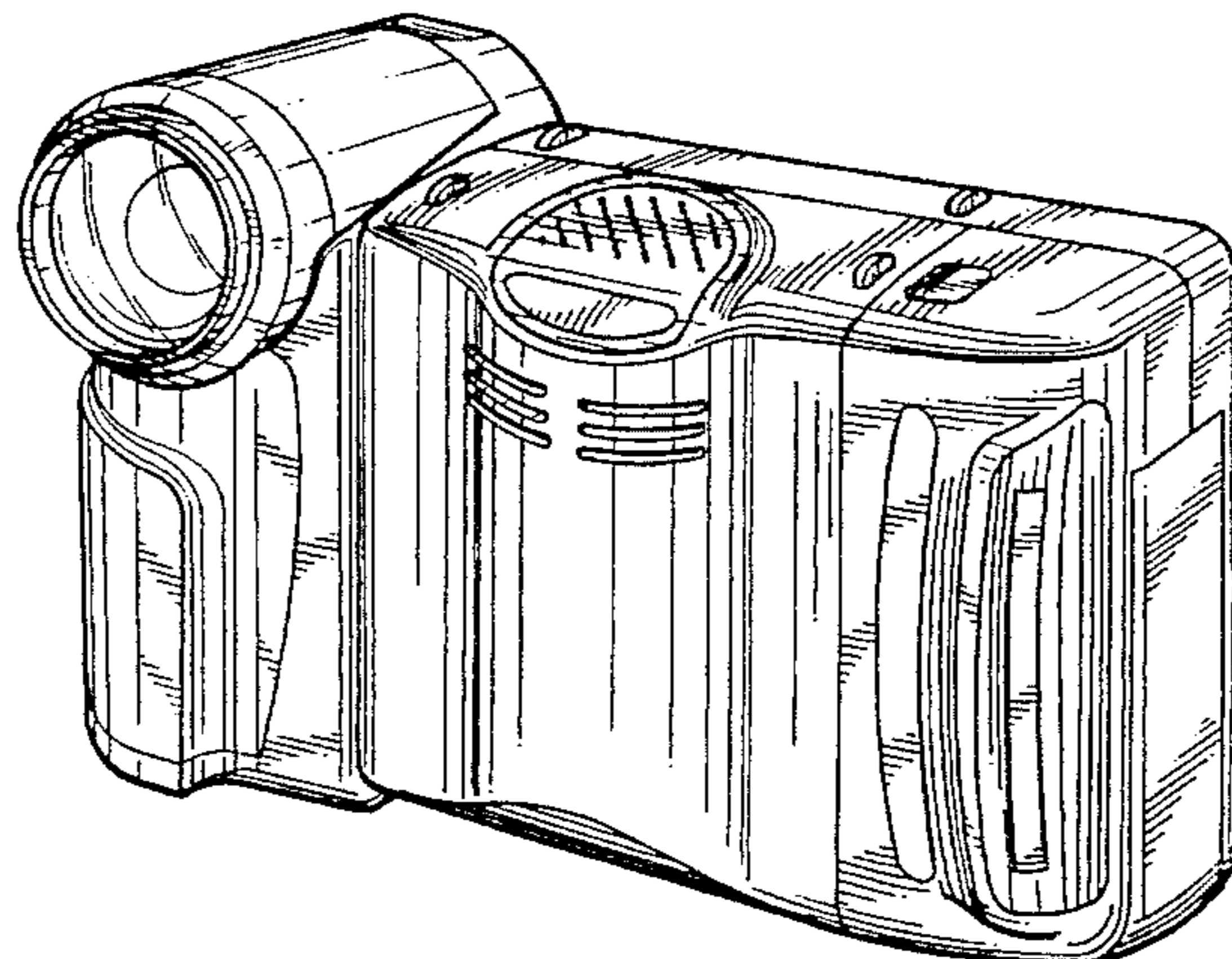
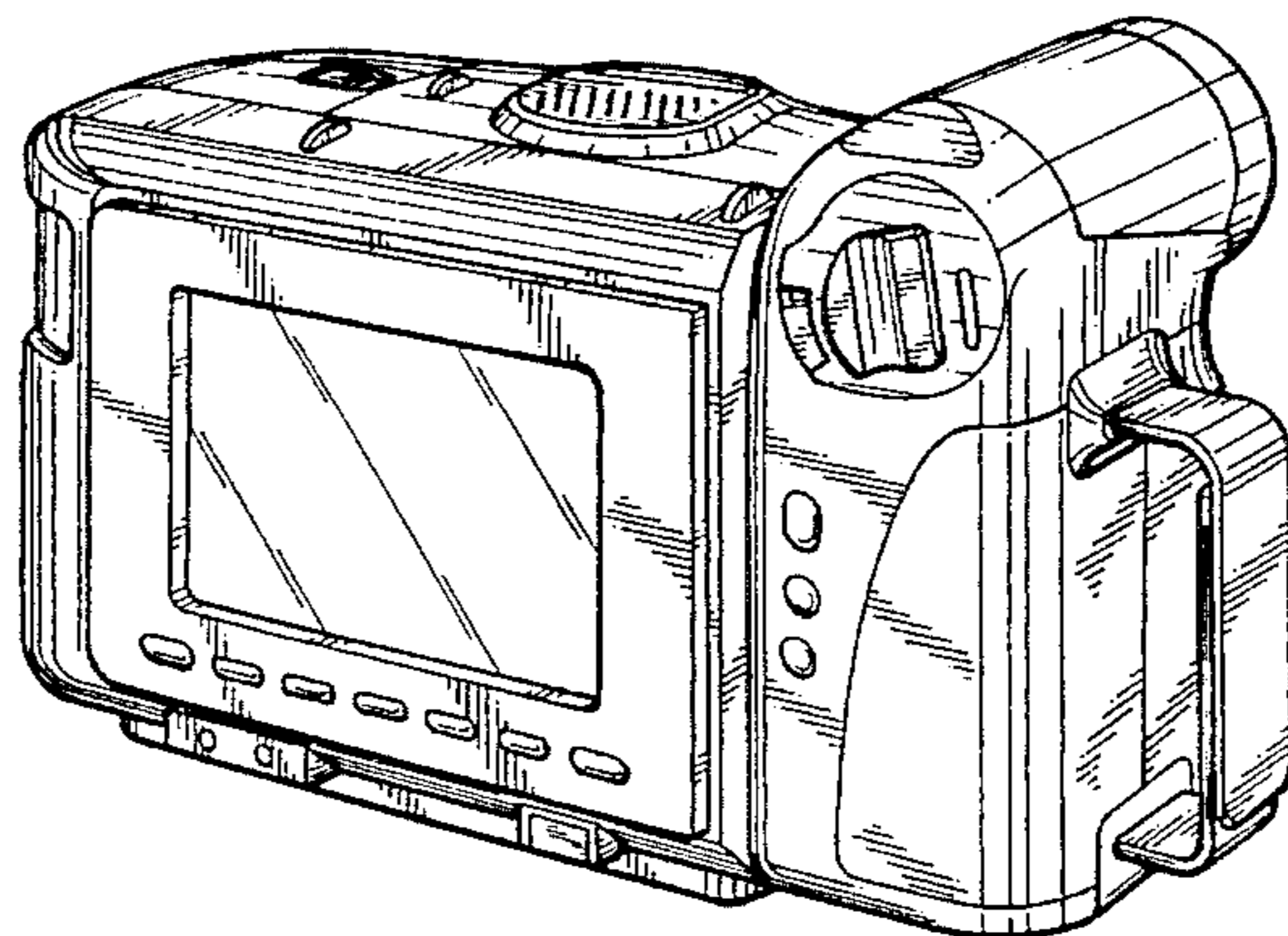
FIG. 7 is a left side elevational view thereof;

FIG. 8 is a right side elevational view thereof;

FIG. 9 is a rear elevational view thereof; and,

FIG. 10 is a bottom plan view thereof.

**1 Claim, 5 Drawing Sheets**



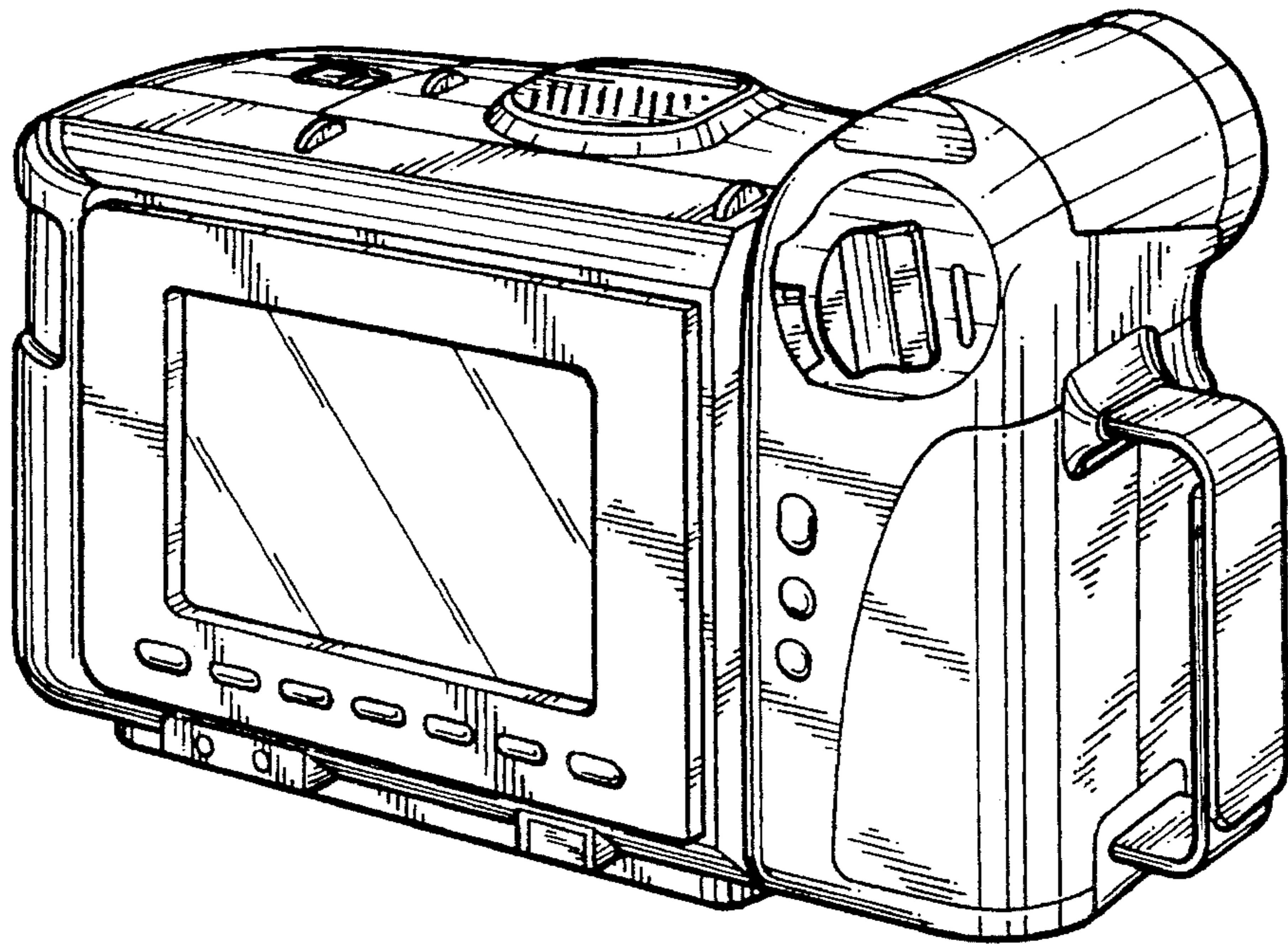


FIG. 1

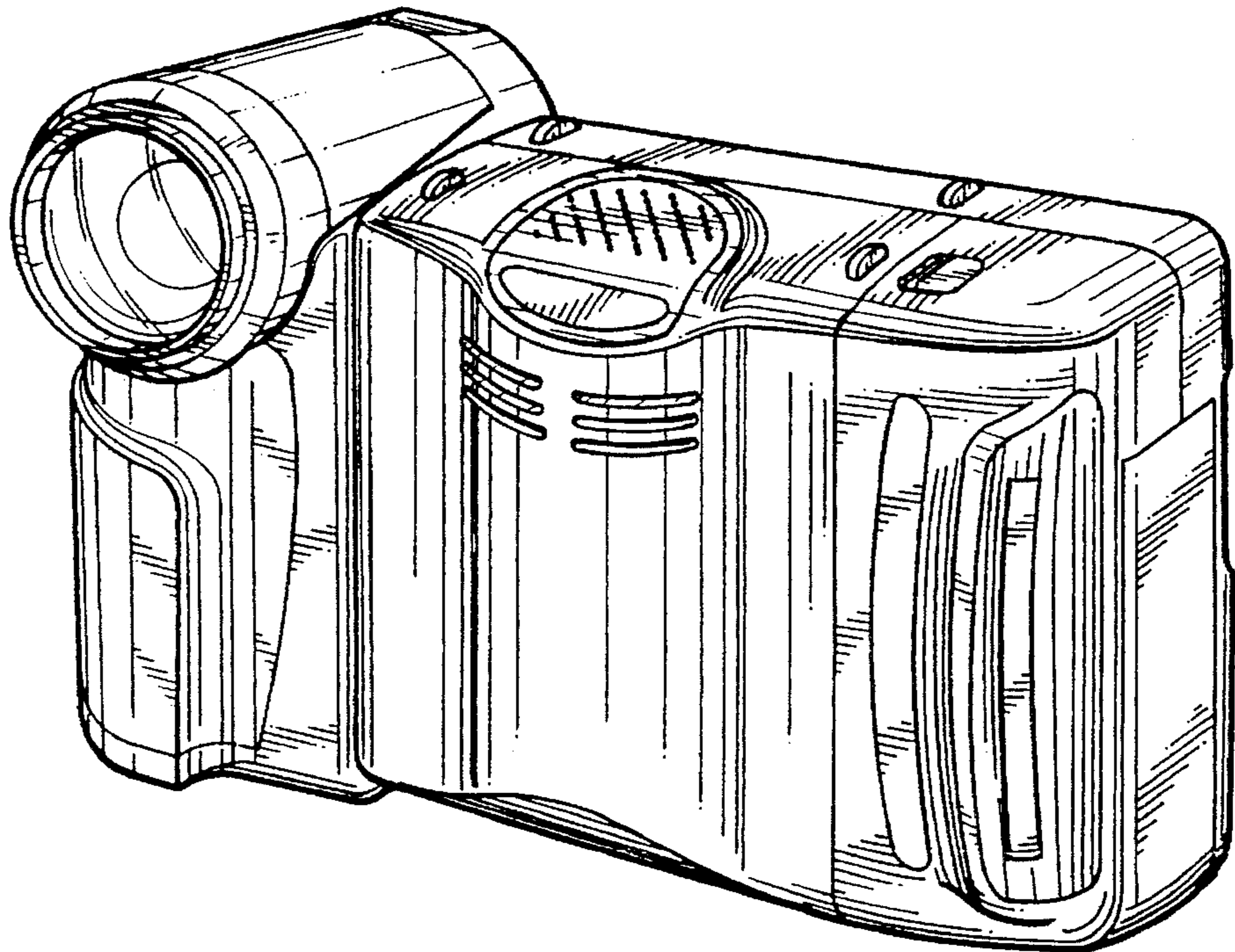


FIG. 2



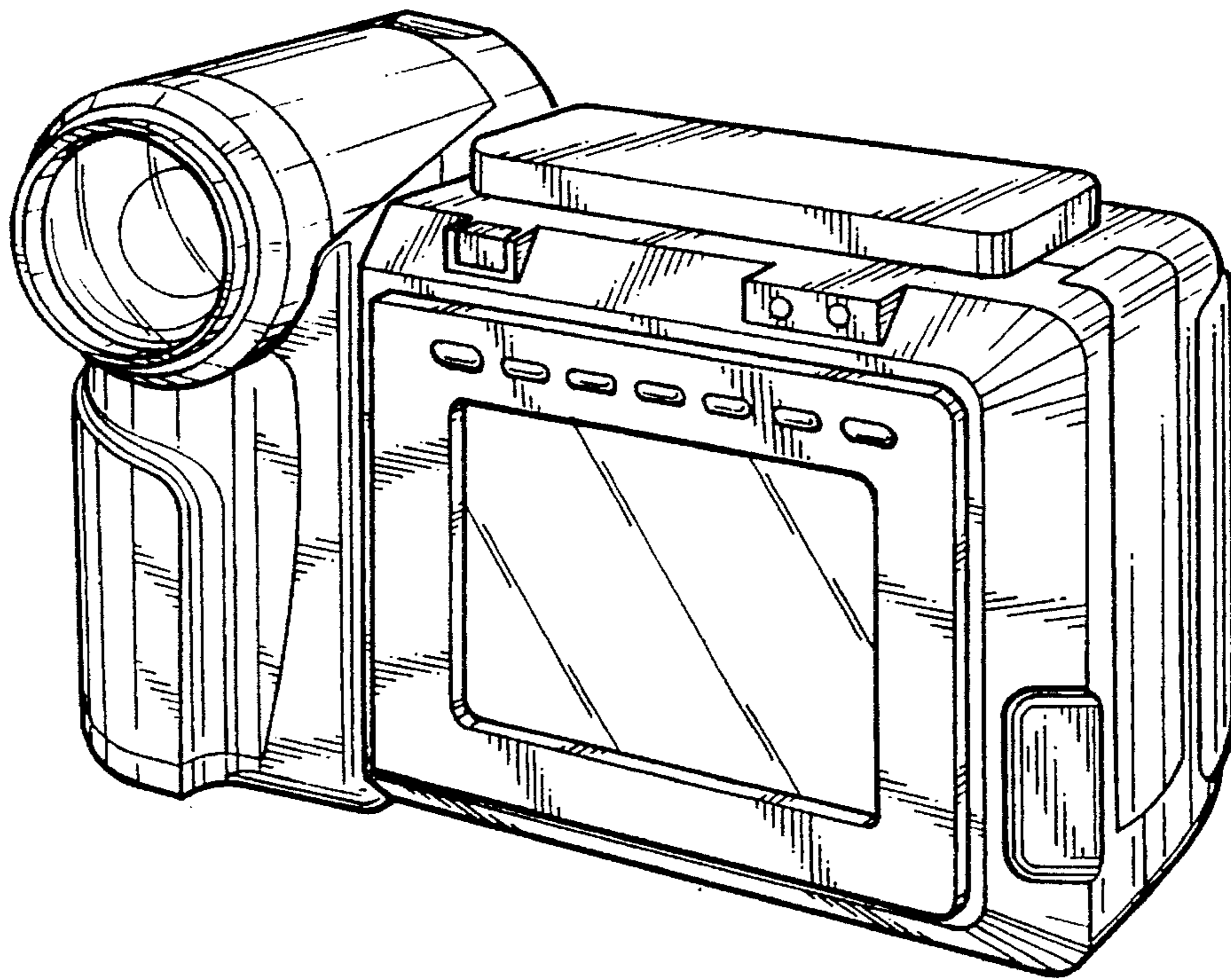


FIG. 3

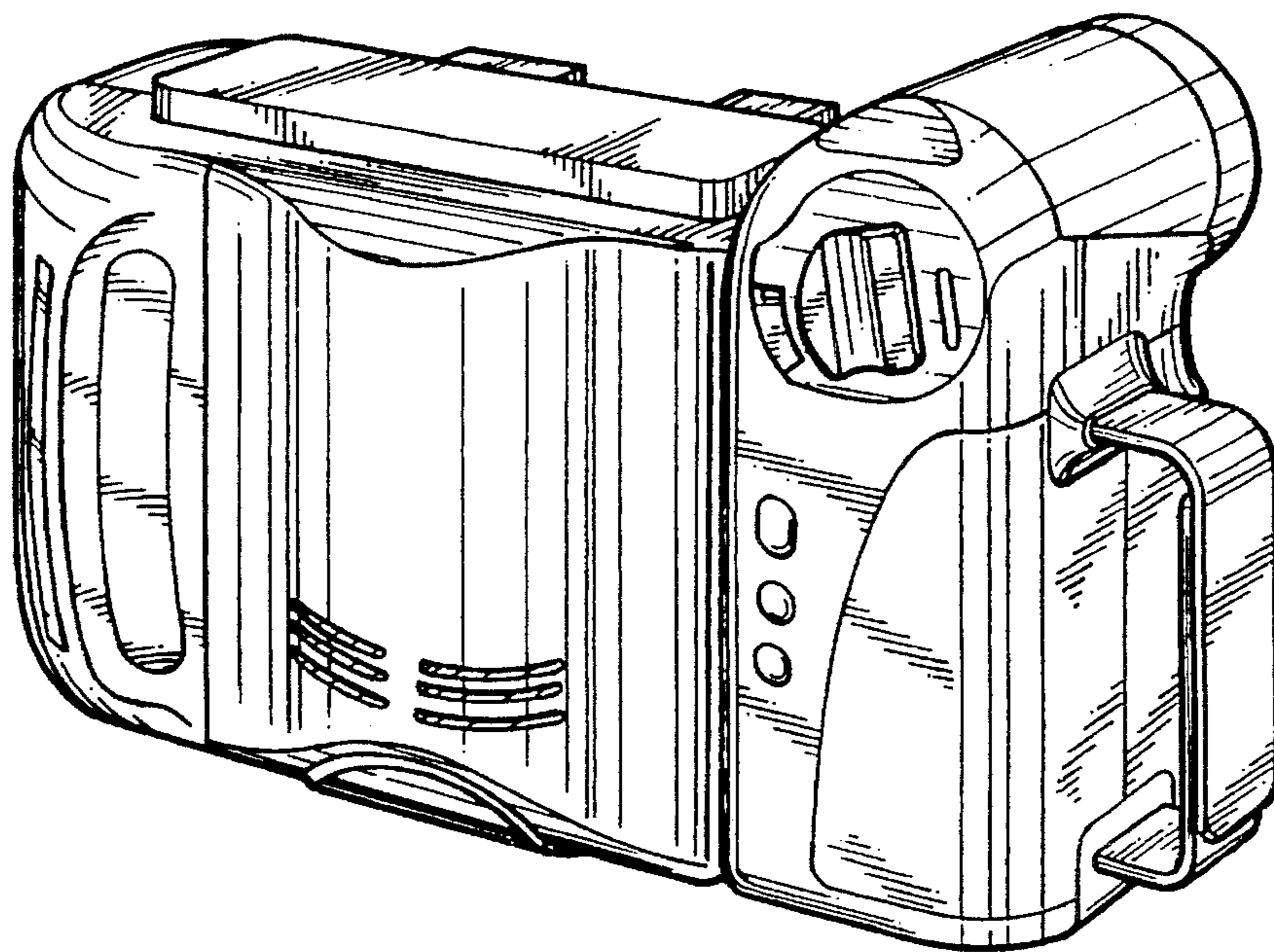
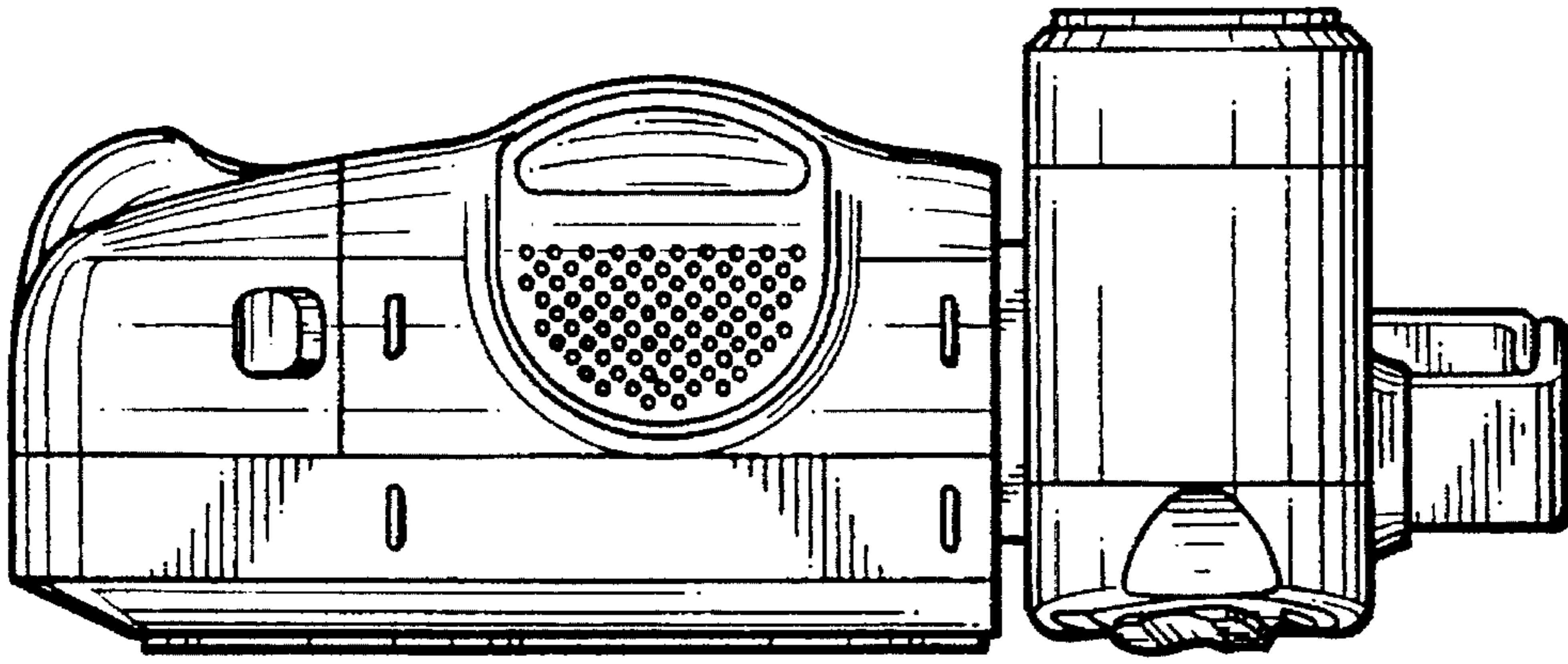
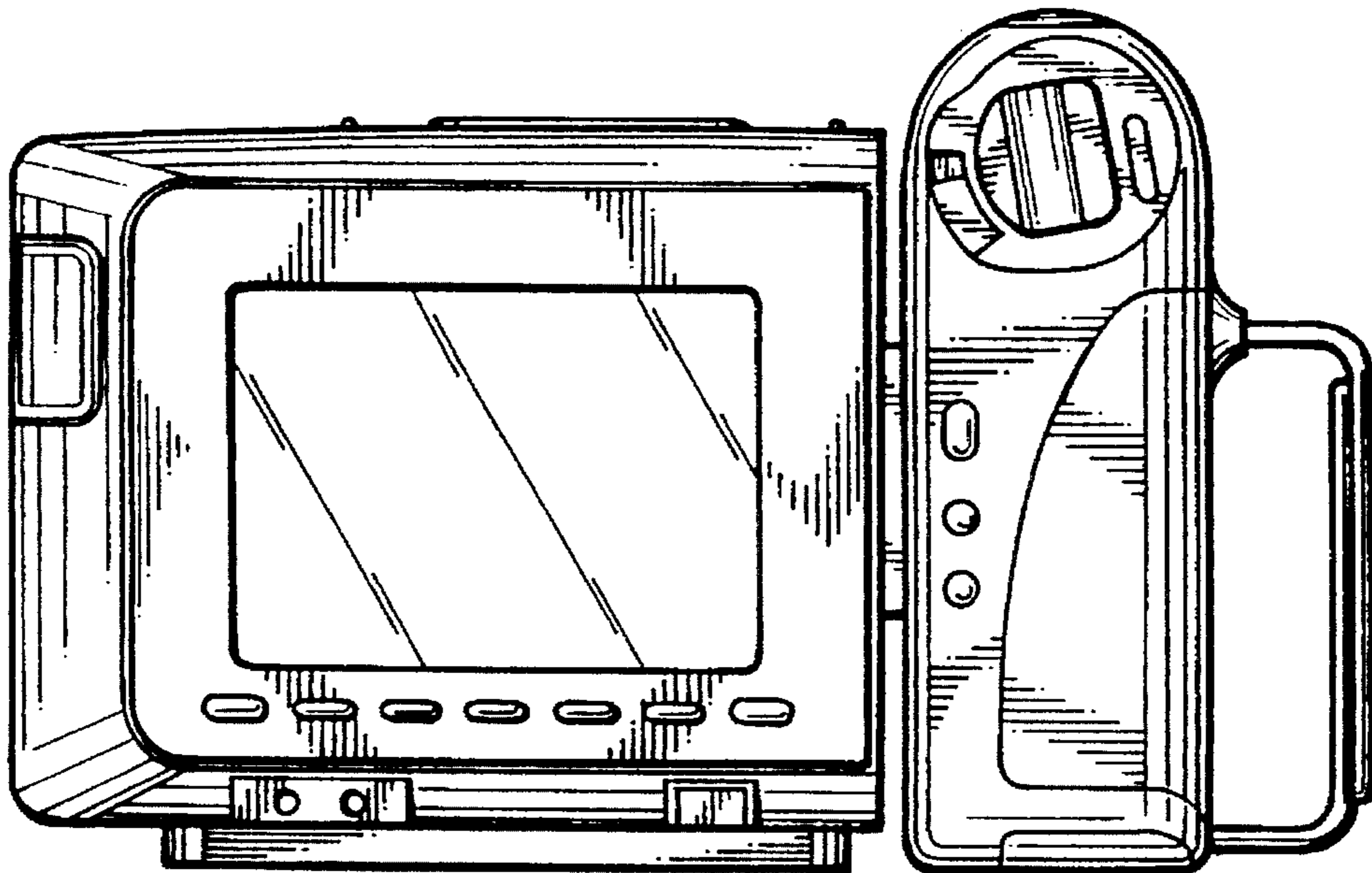


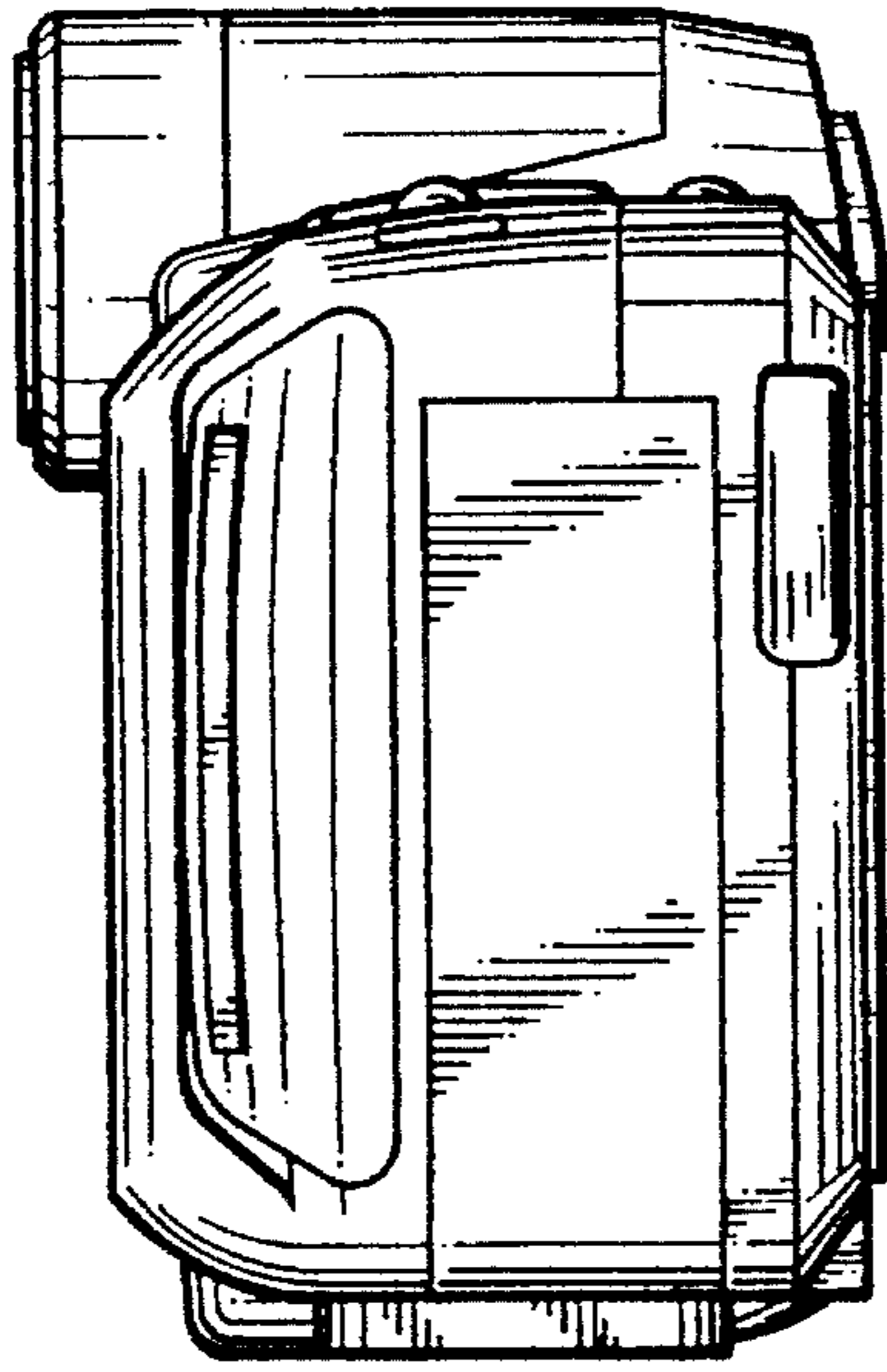
FIG. 4



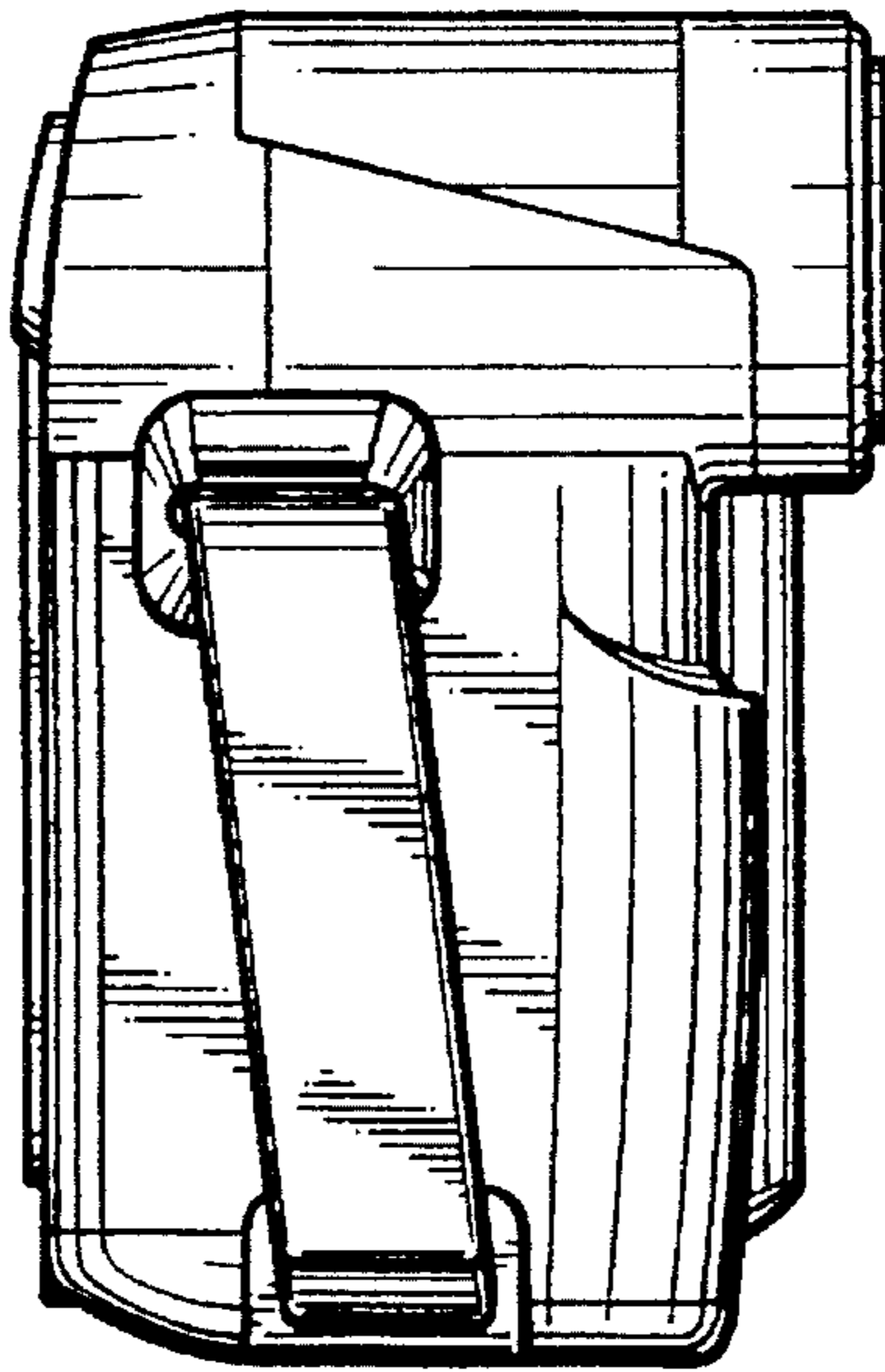
*FIG. 5*



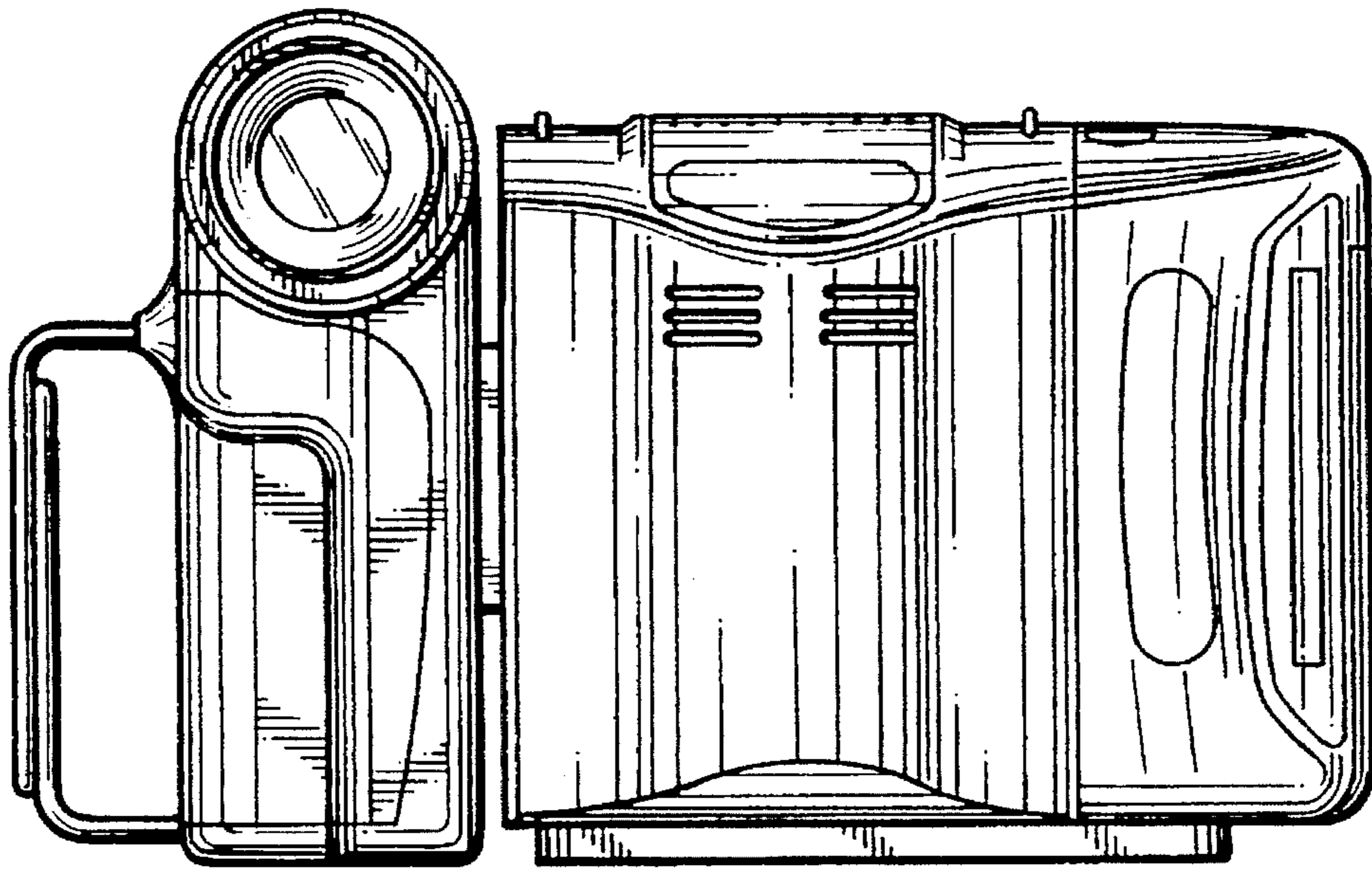
*FIG. 6*



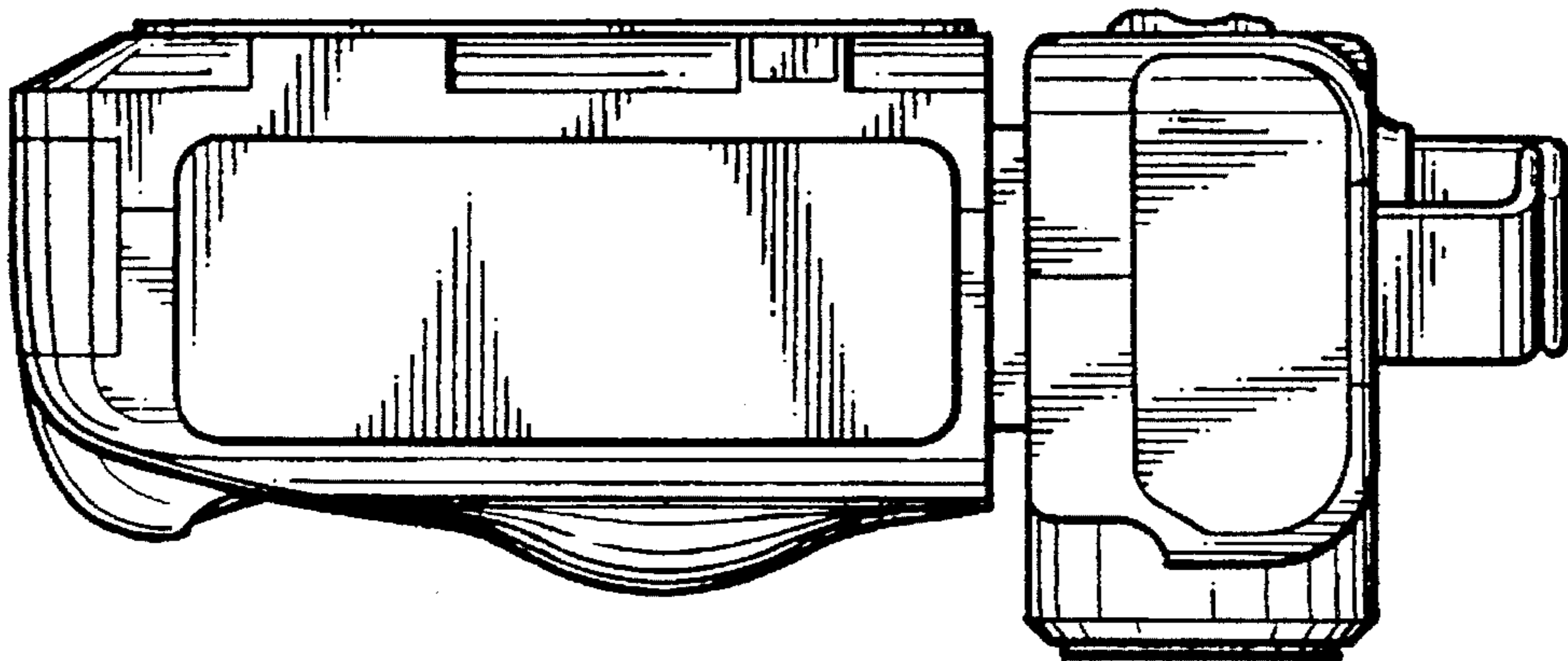
*FIG. 7*



*FIG. 8*



*FIG. 9*



*FIG. 10*