



US00D366260S

United States Patent [19]

Hon et al.

[11] Patent Number: **Des. 366,260**

[45] Date of Patent: ****Jan. 16, 1996**

[54] **SELECTIVE CALL RECEIVER**

D. 355,657 2/1995 Scheid et al. D14/191

[75] Inventors: **Moo H. Hon**, Kulai Johor, Malaysia;
Chong H. Choy; **Tuck S. Loke**, both
of Singapore, Singapore

Primary Examiner—Prabhakar G. Deshmukh

Assistant Examiner—Nanda Bondade

Attorney, Agent, or Firm—James A. Lamb

[73] Assignee: **Motorola, Inc.**, Schaumburg, Ill.

[57] **CLAIM**

[**] Term: **14 Years**

The ornamental design for a selective call receiver, as shown and described.

[21] Appl. No.: **28,288**

DESCRIPTION

[22] Filed: **Sep. 9, 1994**

[52] U.S. Cl. **D14/191**

FIG. 1 is a front elevational view of a selective call receiver showing our new design:

[58] Field of Search D14/124, 188,
D14/191, 192, 299; 340/311.1; 455/92,
100, 128, 344

FIG. 2 is a top plan view thereof;

FIG. 3 is a bottom plan view thereof;

FIG. 4 is a rear elevational view thereof;

FIG. 5 is a left side elevational view thereof;

FIG. 6 is a right side elevational view thereof; and,

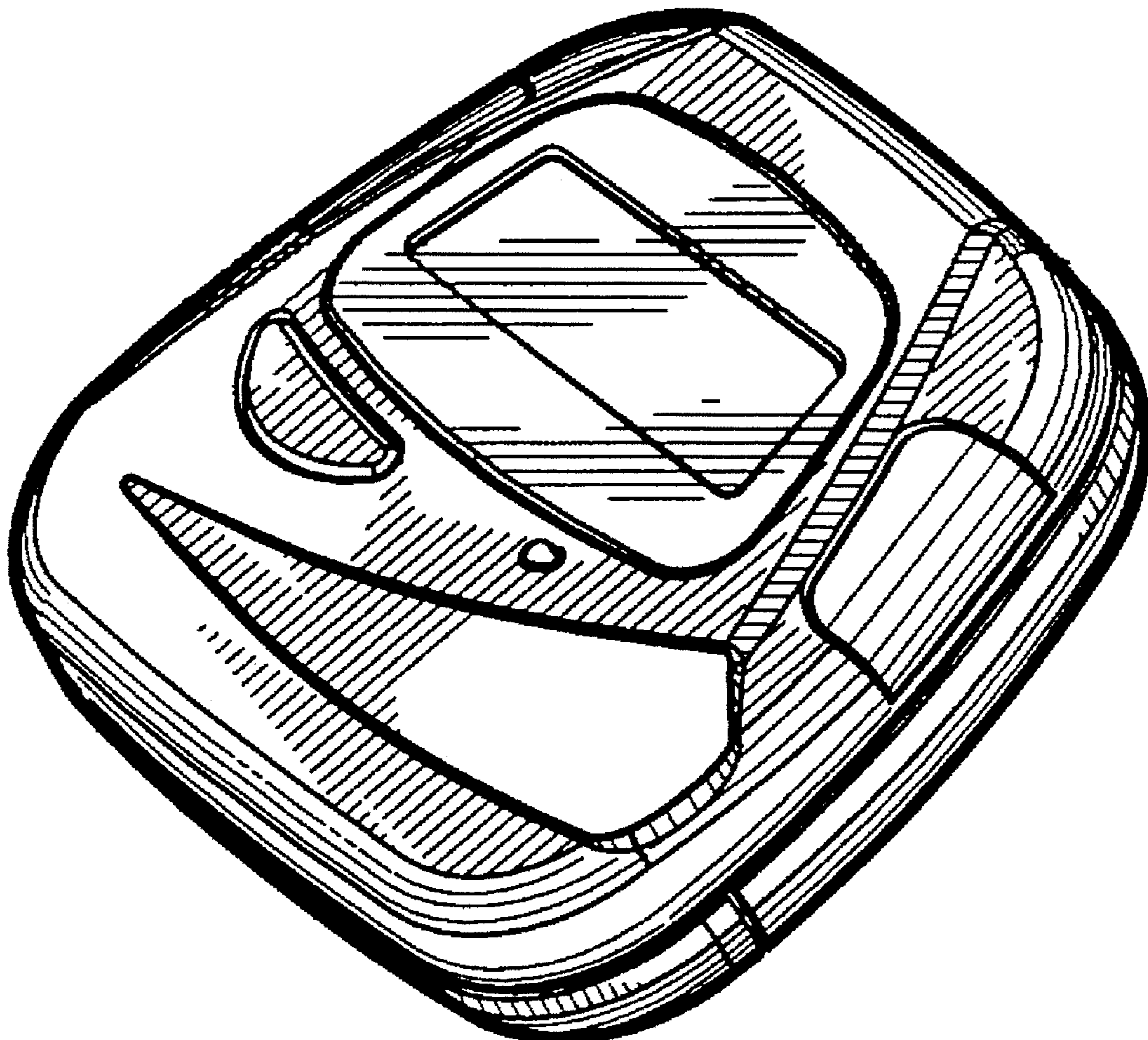
FIG. 7 is a front, right side, and bottom perspective view thereof.

[56] **References Cited**

U.S. PATENT DOCUMENTS

- D. 319,244 8/1991 Yeh D14/299
- D. 326,652 6/1992 Kanno D14/188
- D. 342,736 12/1993 Scheid et al. D14/191

1 Claim, 3 Drawing Sheets



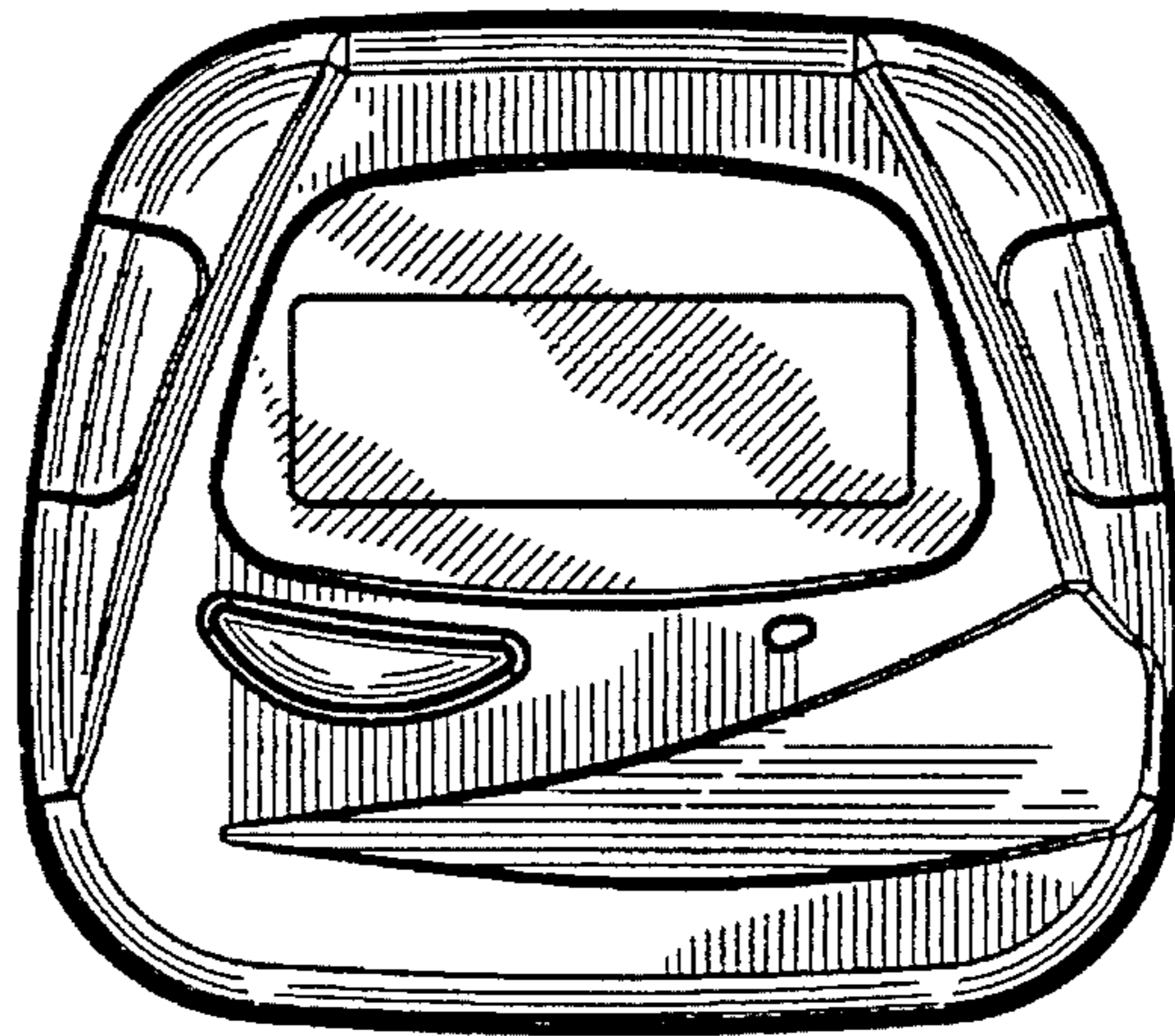


FIG. 1

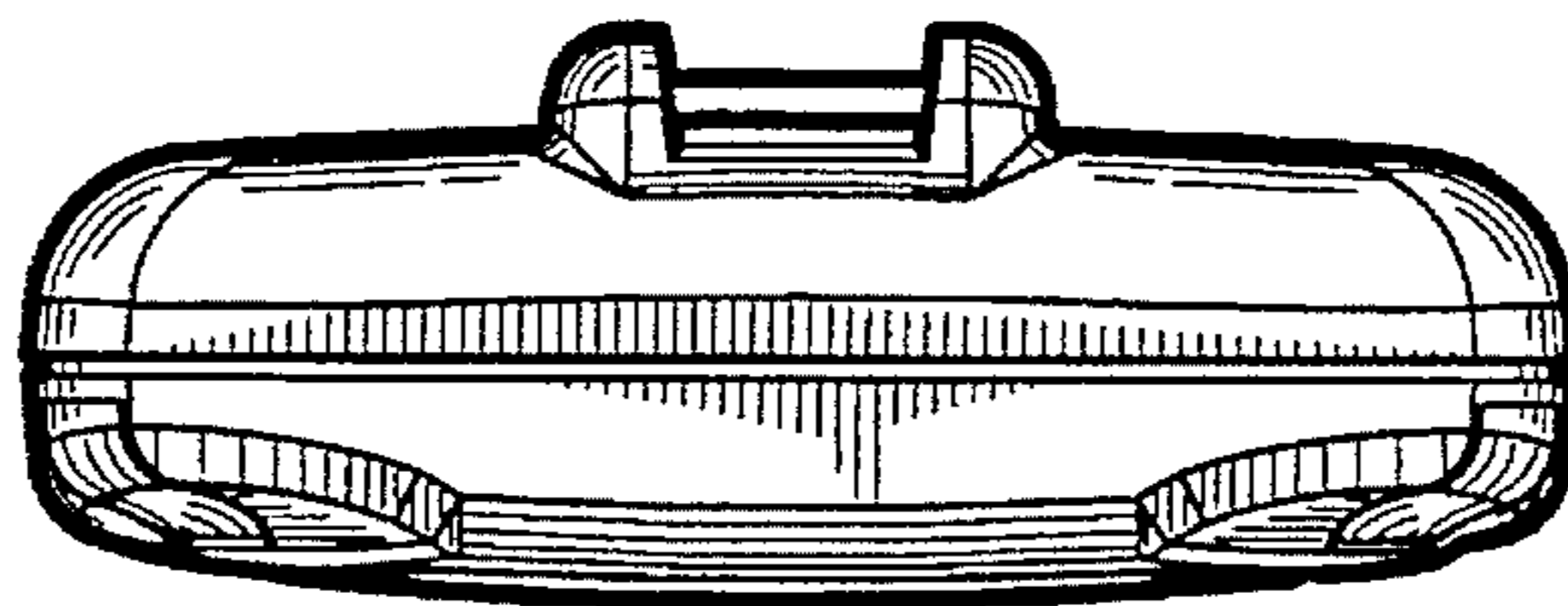


FIG. 2

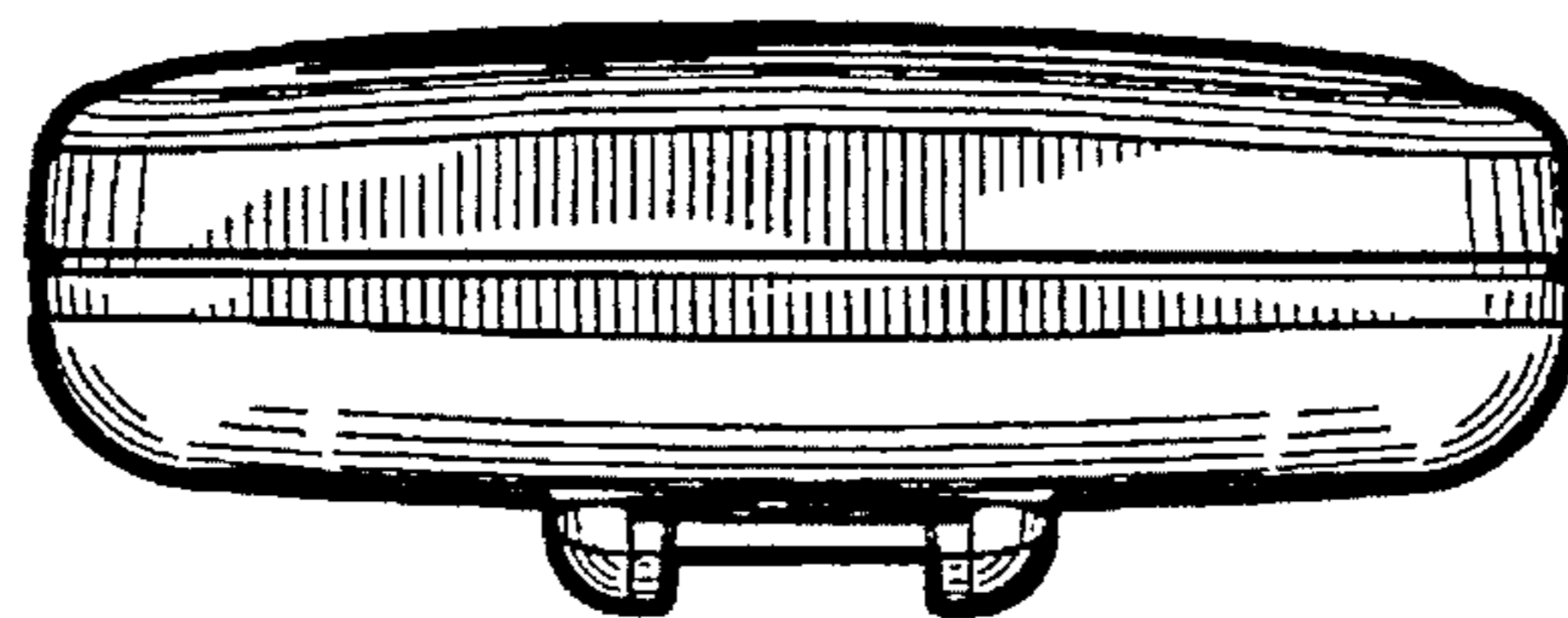


FIG. 3

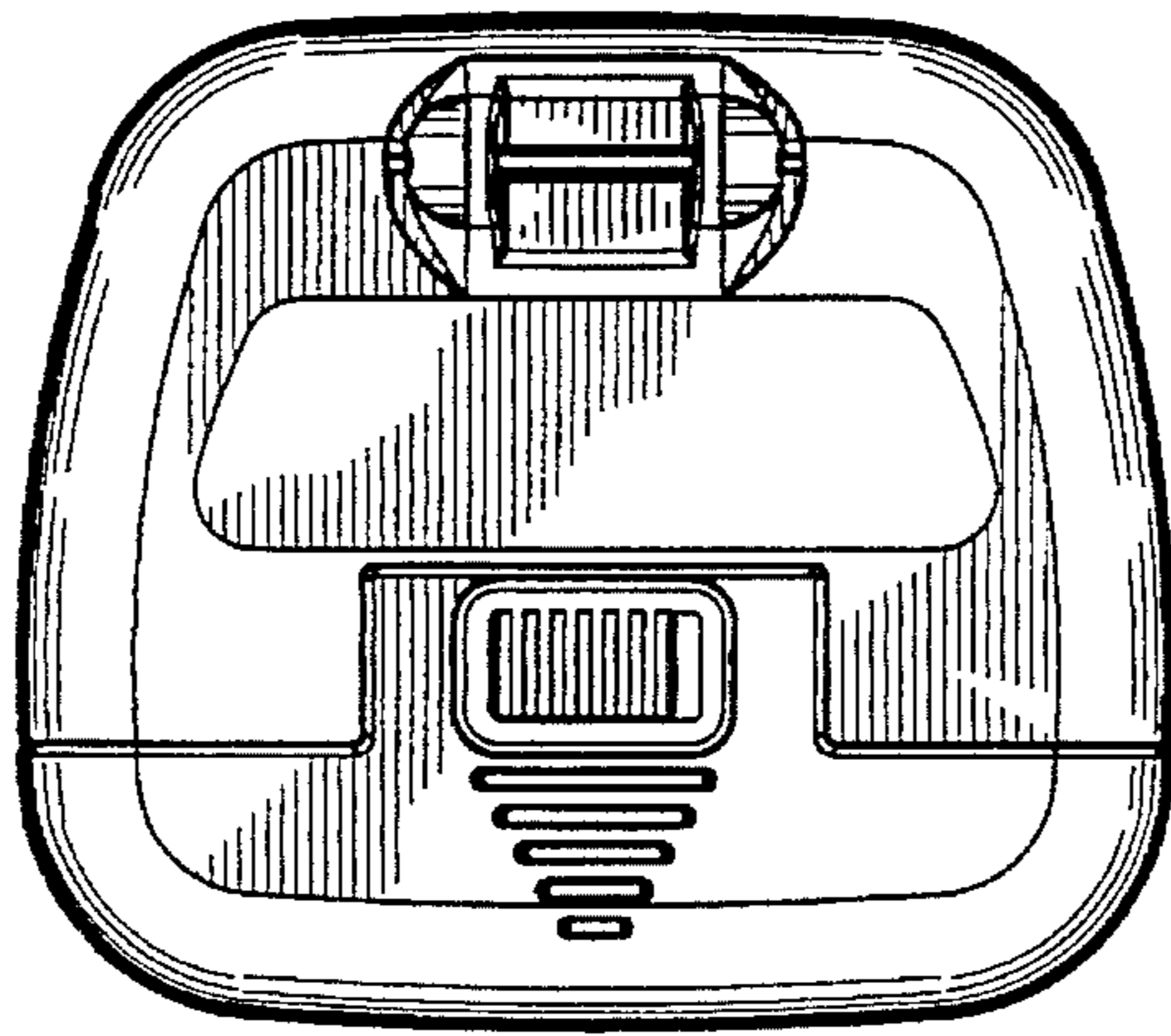


FIG. 4

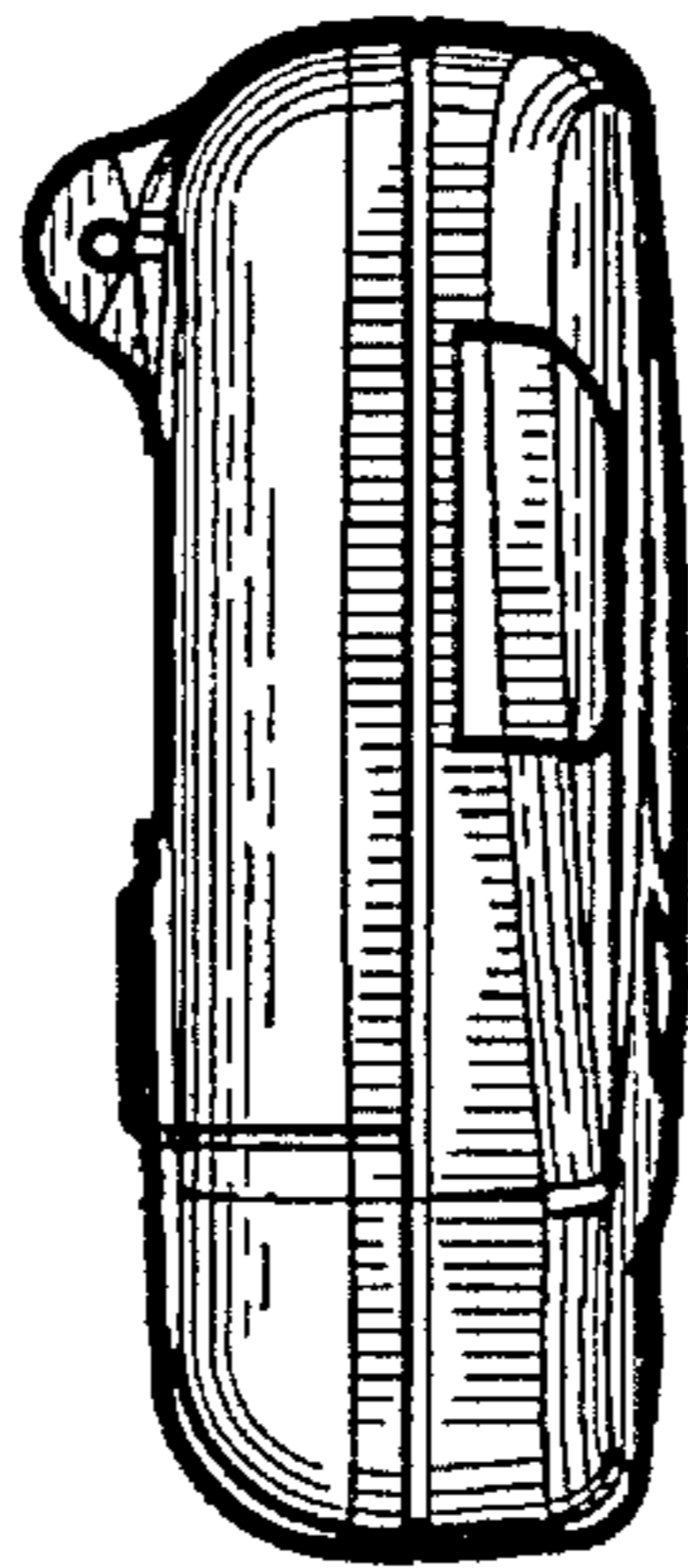


FIG. 5

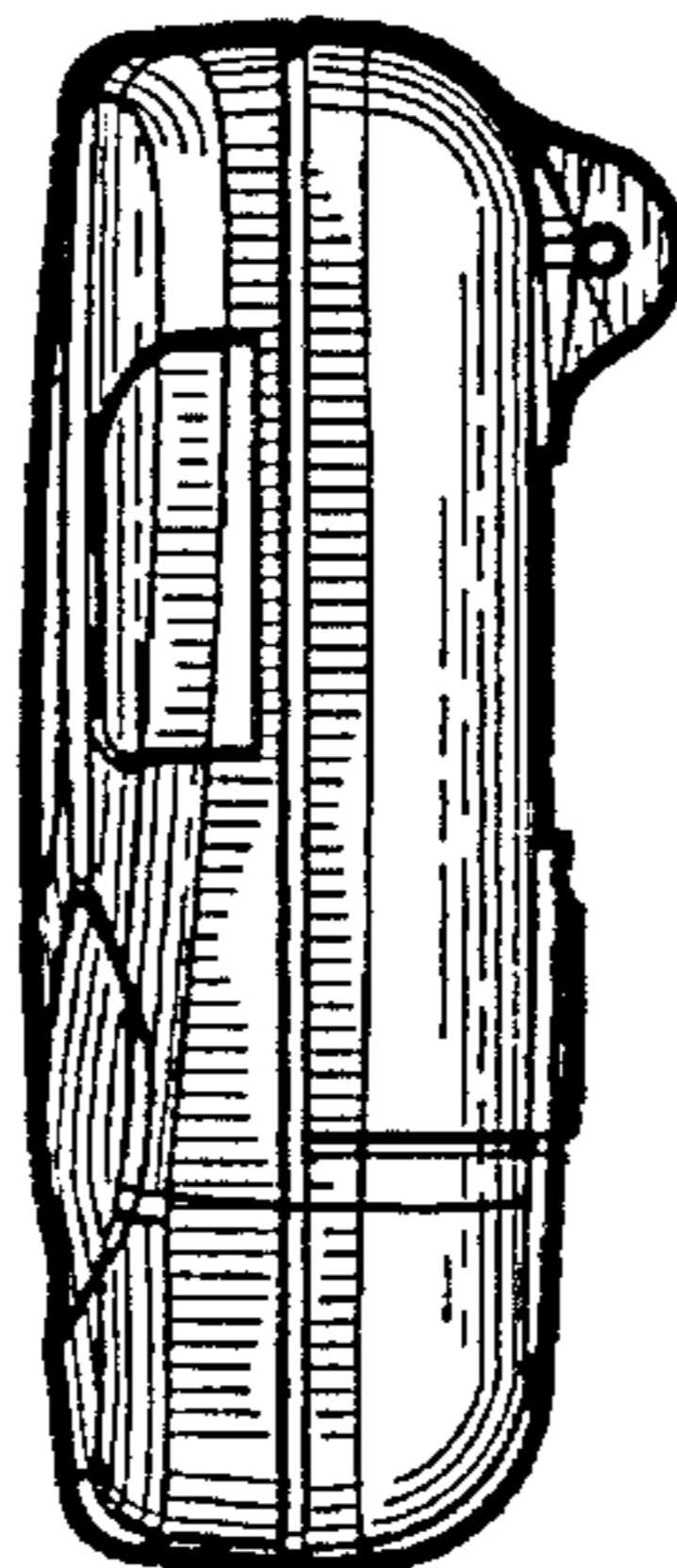


FIG. 6

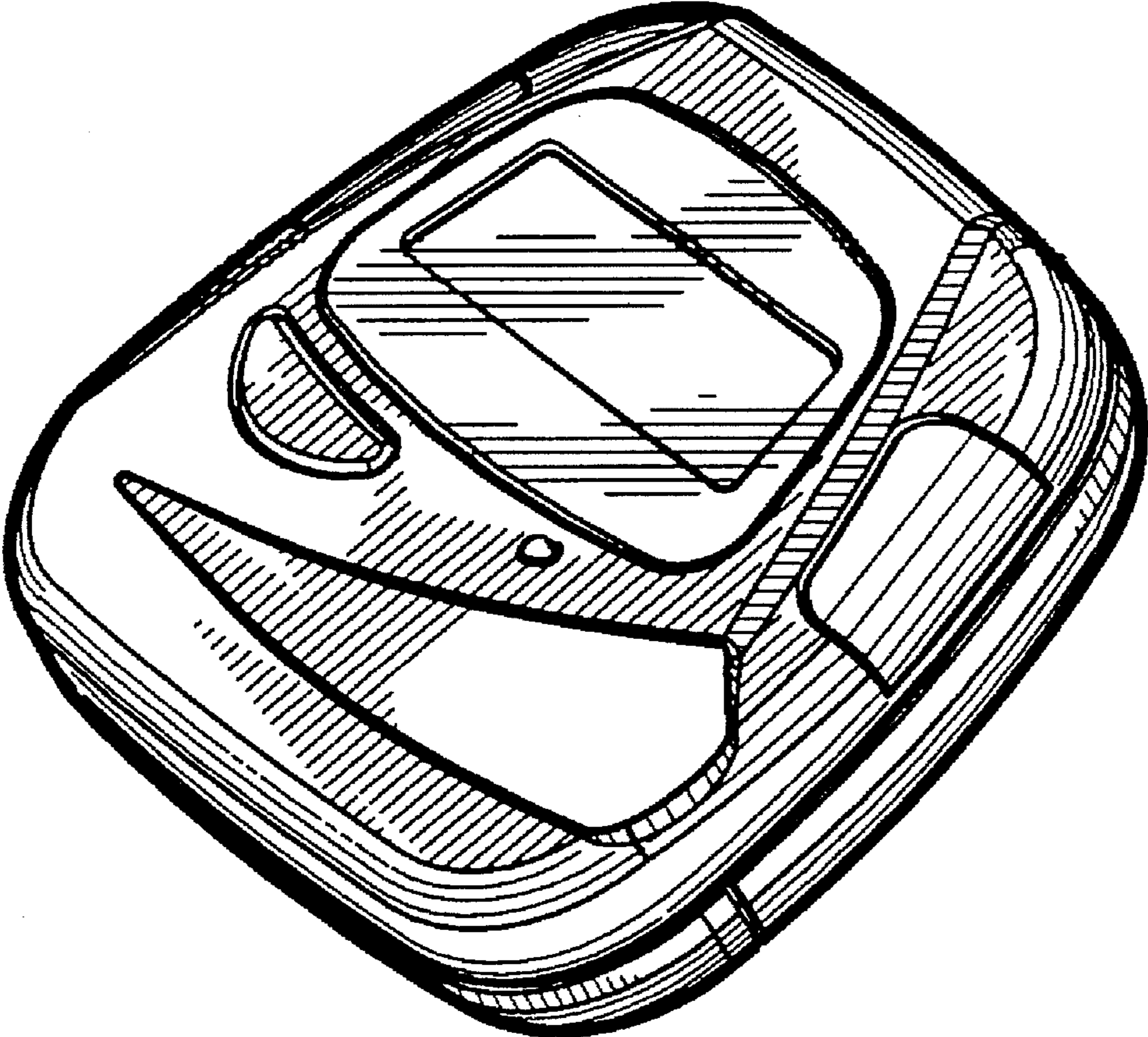


FIG. 7