



US00D366255S

# United States Patent [19]

[11] **Patent Number: Des. 366,255**

**Mihalik et al.**

[45] **Date of Patent: \*\*Jan. 16, 1996**

[54] **INSERTABLE MASS STORAGE MODULE**

D. 285,926	9/1986	Kees et al. ....	D14/114
D. 286,053	10/1986	McDaniel et al. ....	D14/114
D. 301,713	6/1989	Bolan et al. ....	D14/114
D. 310,998	10/1990	Lee et al. ....	D14/114 X
D. 354,481	1/1995	Iimura ....	D14/107
D. 357,004	4/1995	Ando ....	D14/107

[75] Inventors: **Michael A. Mihalik**, Beaverton; **Kim S. Porter**, Portland, both of Oreg.

[73] Assignee: **Quantum Corporation**, Milpitas, Calif.

[\*\*] Term: **14 Years**

*Primary Examiner*—M. H. Tung  
*Attorney, Agent, or Firm*—Stoel Rives

[21] Appl. No.: **27,326**

[57] **CLAIM**

[22] Filed: **Aug. 18, 1994**

The ornamental design for an insertable mass storage module, as shown and described.

### Related U.S. Application Data

### DESCRIPTION

[63] Continuation of Ser. No. 198,630, Feb. 18, 1994.

[52] **U.S. Cl.** ..... **D14/114**

[58] **Field of Search** ..... D14/100, 102, D14/107, 114; 361/679-687, 600, 622, 627-636, 724, 725; 200/5 R, 5 A, 6 R, 6 A; D13/184, 199; 360/97.01-99.12

FIG. 1 is a right, front, top isometric view of an insertable mass storage module;

FIG. 2 is a left side elevational view;

FIG. 3 is a bottom plan view;

FIG. 4 is a right side elevational view; and,

FIG. 5 is a rear elevational view.

[56] **References Cited**

#### U.S. PATENT DOCUMENTS

D. 284,195 6/1986 Davis et al. .... D14/114

**1 Claim, 1 Drawing Sheet**

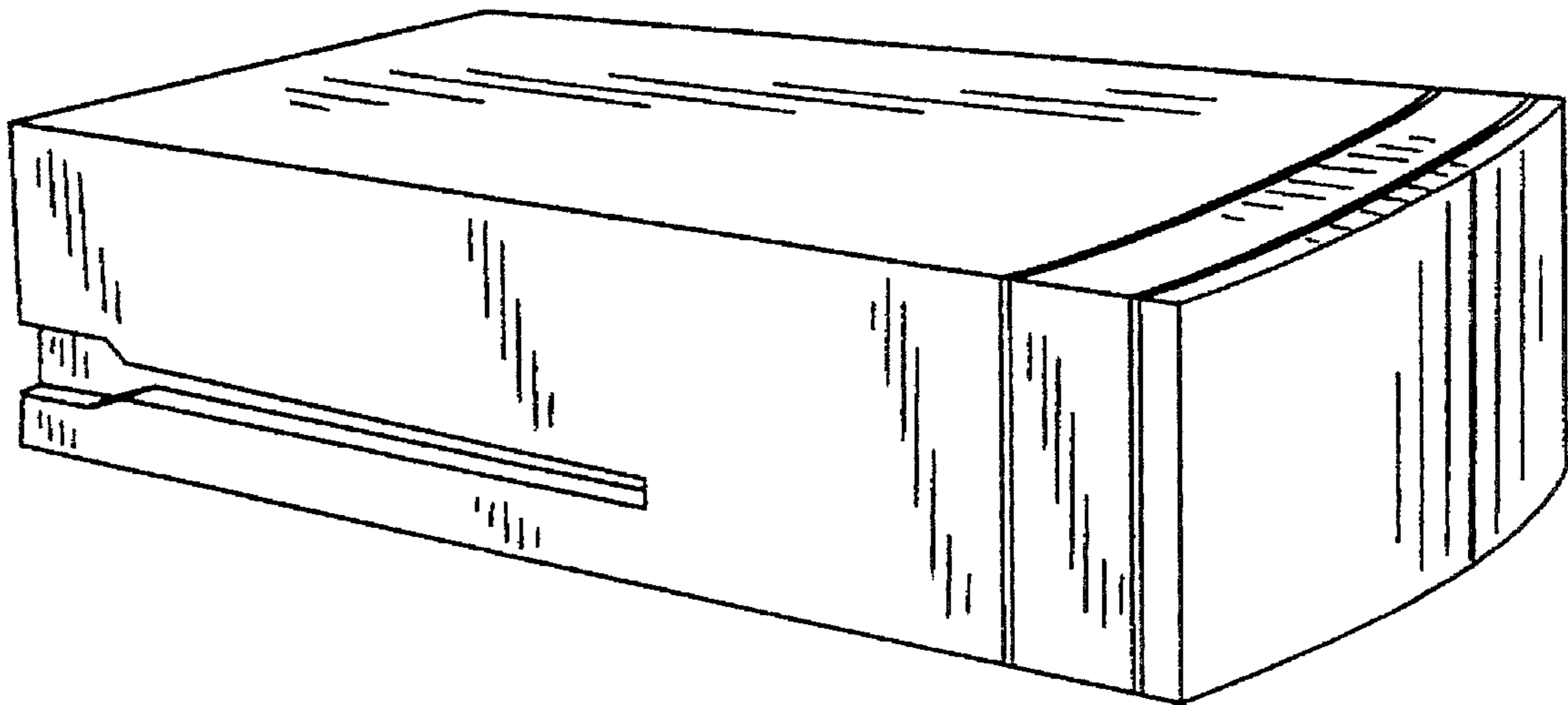


FIG. 1

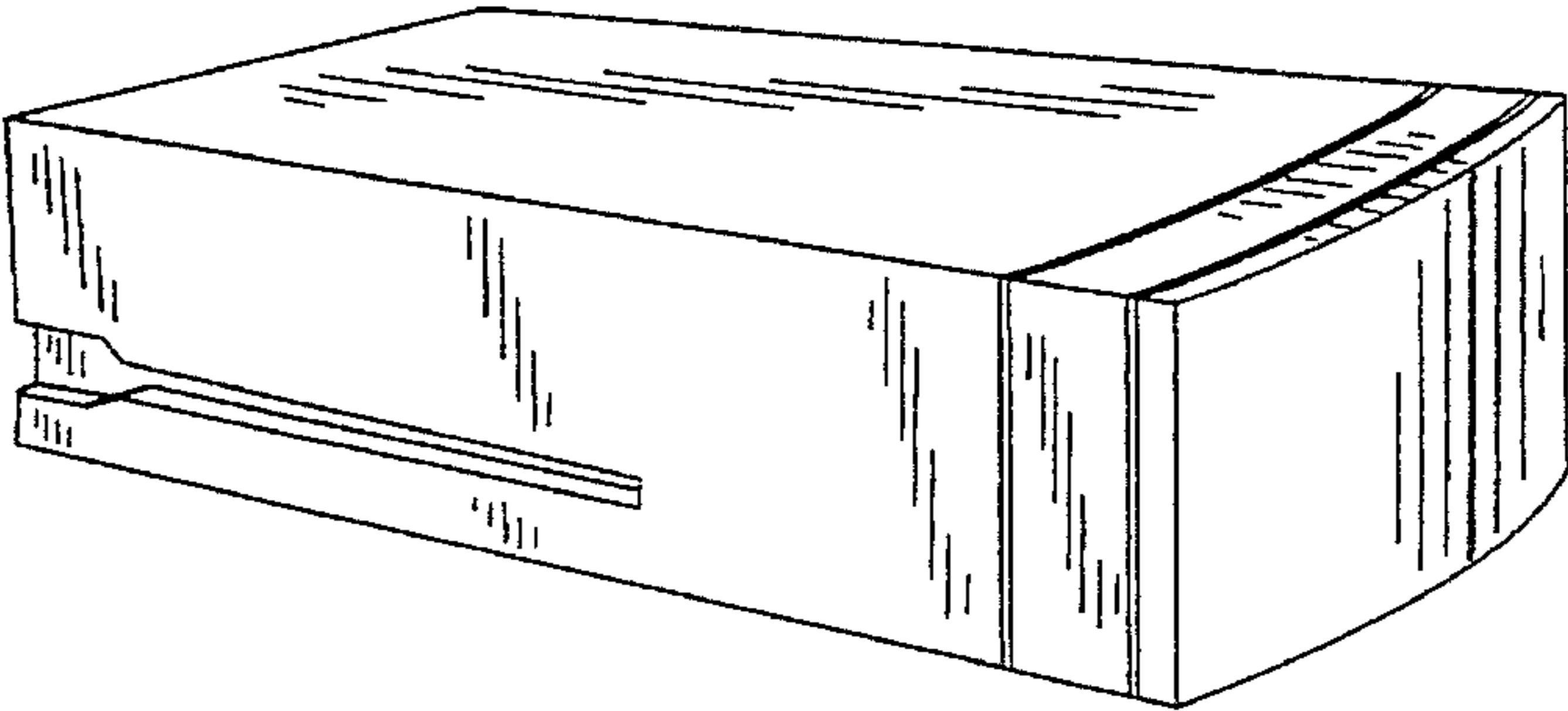


FIG. 2

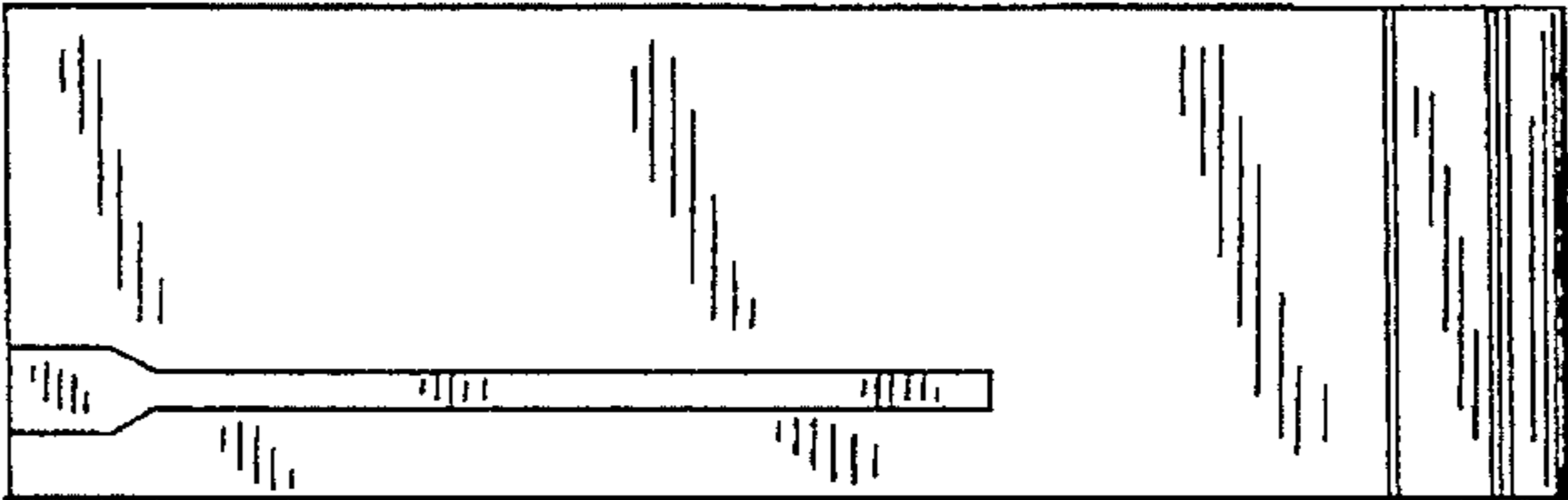


FIG. 3

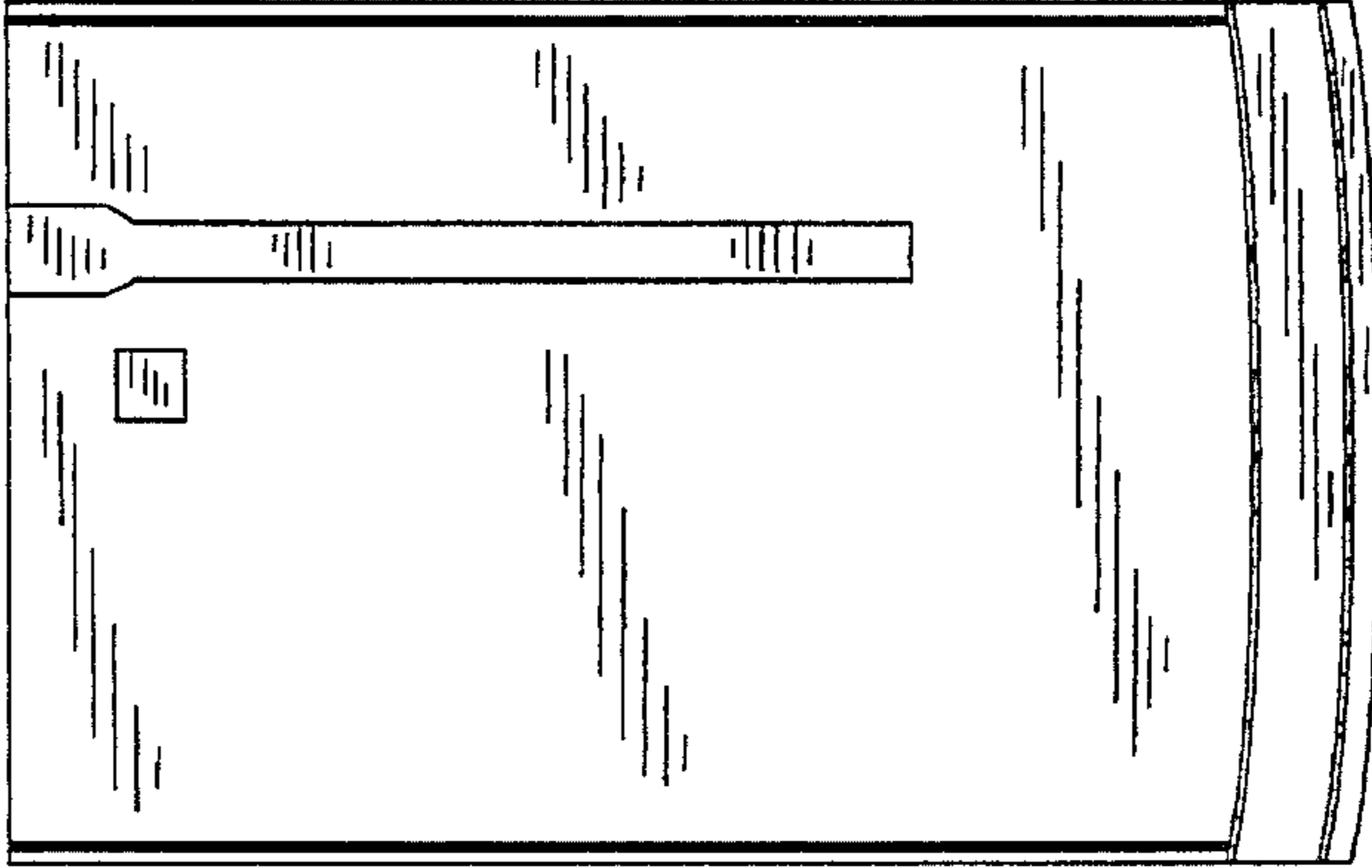


FIG. 4

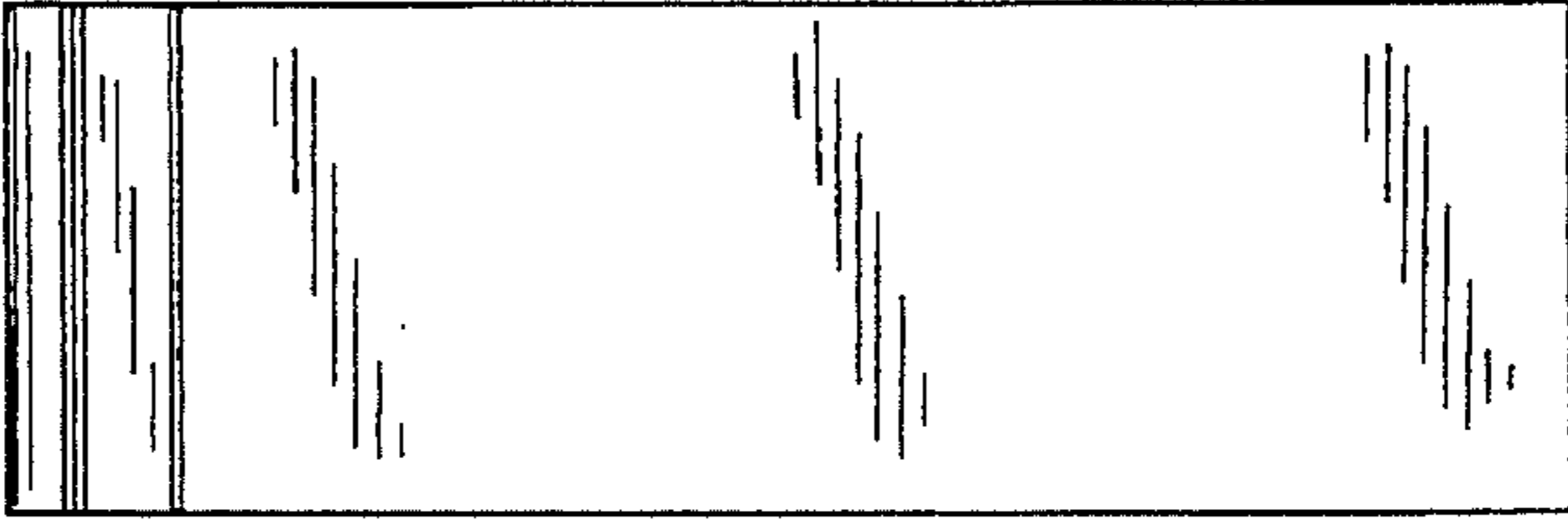


FIG. 5

