



US00D366254S

United States Patent [19]

Lynch et al.

[11] Patent Number: **Des. 366,254**

[45] Date of Patent: ****Jan. 16, 1996**

[54] **COMPUTER MONITOR SUPPORT ARM**

[75] Inventors: **Robert C. Lynch**, Cary; **Kevin H. Myers**, Durham; **Ronald A. Smith**, Apex; **William L. Talley**, Raleigh, all of N.C.; **Edward R. Veals**, Pawleys Island, S.C.

[73] Assignee: **International Business Machines Corp.**, Armonk, N.Y.

[**] Term: **14 Years**

[21] Appl. No.: **8,863**

[22] Filed: **May 27, 1993**

[52] U.S. Cl. **D14/114**

[58] **Field of Search** D14/100, 114; D6/449, 491, 445, 396, 512; 248/125, 127, 133, 178-179, 183, 188.1, 188.2, 346, 371, 395, 917-924; 200/5 R, 5 A, 6 R, 6 A; 361/680-686, 679; D13/184, 199

[56] **References Cited**

U.S. PATENT DOCUMENTS

D. 311,829 11/1990 Vossoughi D6/511 X

D. 323,323 1/1992 Klaebel D14/114
D. 331,921 12/1992 Gutke et al. D14/114
D. 342,173 12/1993 Kirchner et al. D6/511
D. 347,841 6/1994 Rossman et al. D14/114
4,687,167 8/1987 Skalka et al. 248/921 X

Primary Examiner—M. H. Tung
Attorney, Agent, or Firm—Joscelyn G. Cockburn

[57] **CLAIM**

The ornamental design for a computer monitor support arm, as shown and described.

DESCRIPTION

FIG. 1 is a front, top, left side perspective view of a computer monitor support arm, on a reduced scale;
FIG. 2 is a front elevational view thereof;
FIG. 3 is a rear elevational view thereof;
FIG. 4 is a right side elevational view thereof;
FIG. 5 is a left side elevational view thereof;
FIG. 6 is a top plan view thereof; and,
FIG. 7 is a bottom plan view thereof.

1 Claim, 7 Drawing Sheets

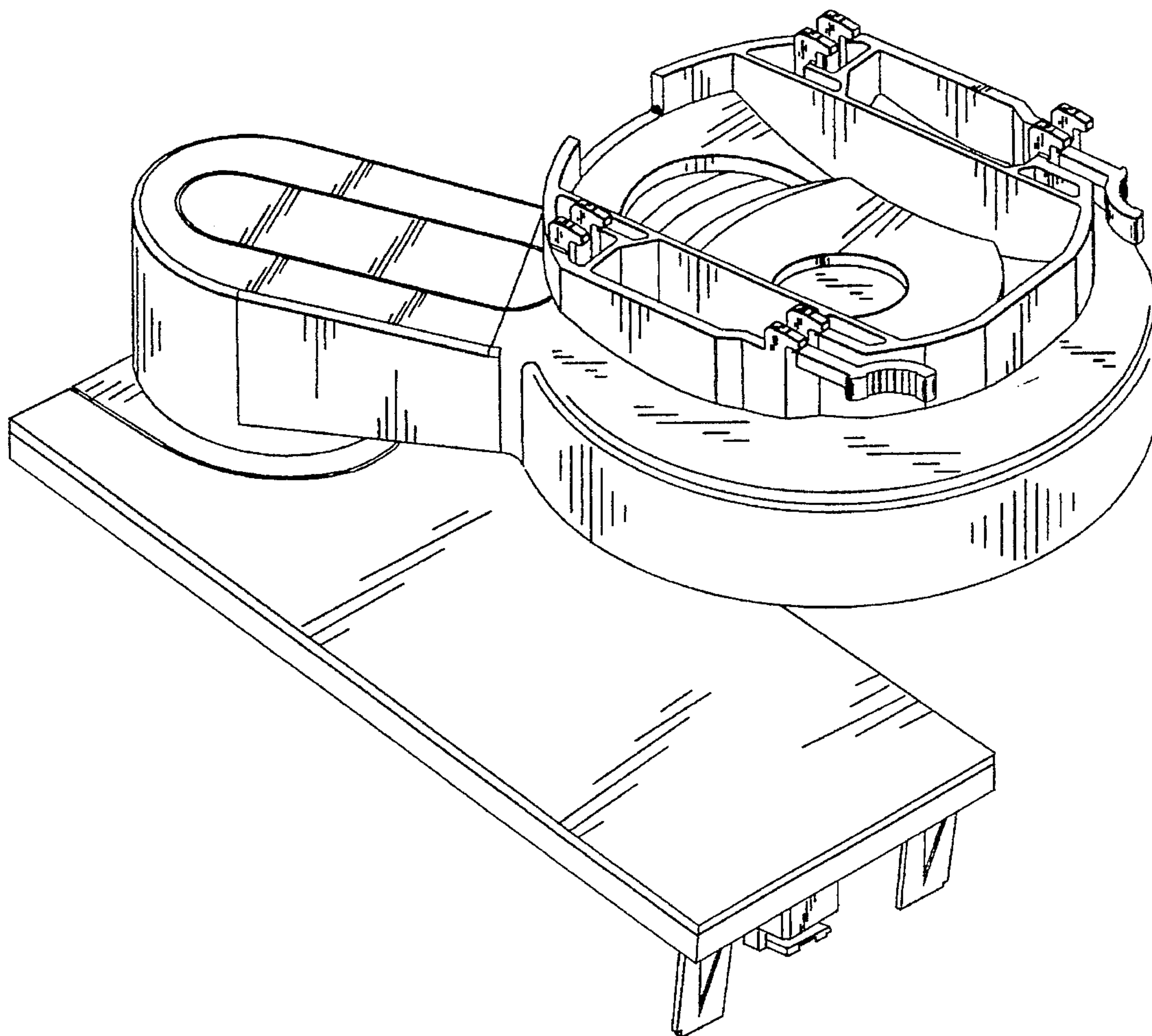


FIG. 1

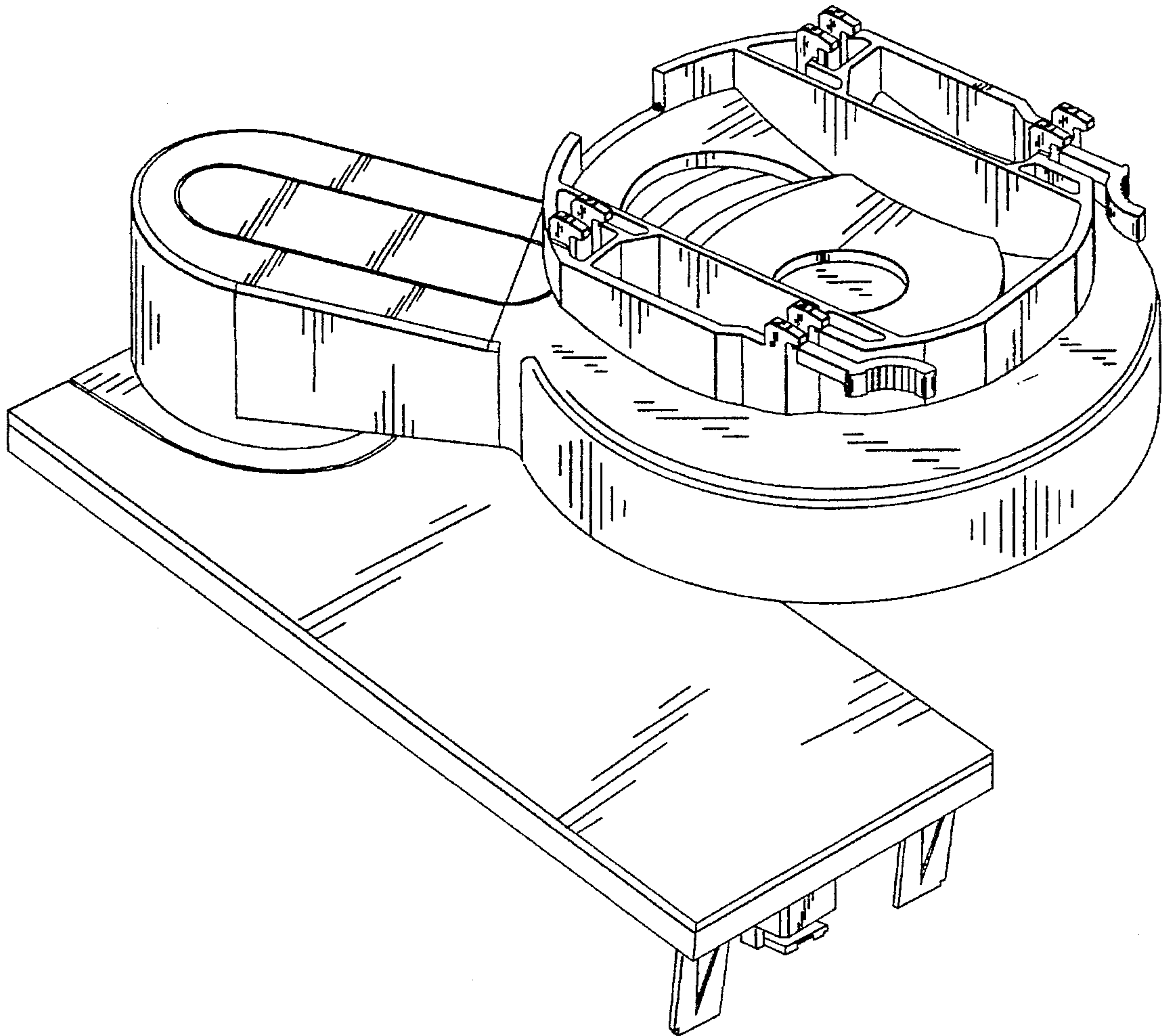


FIG. 2

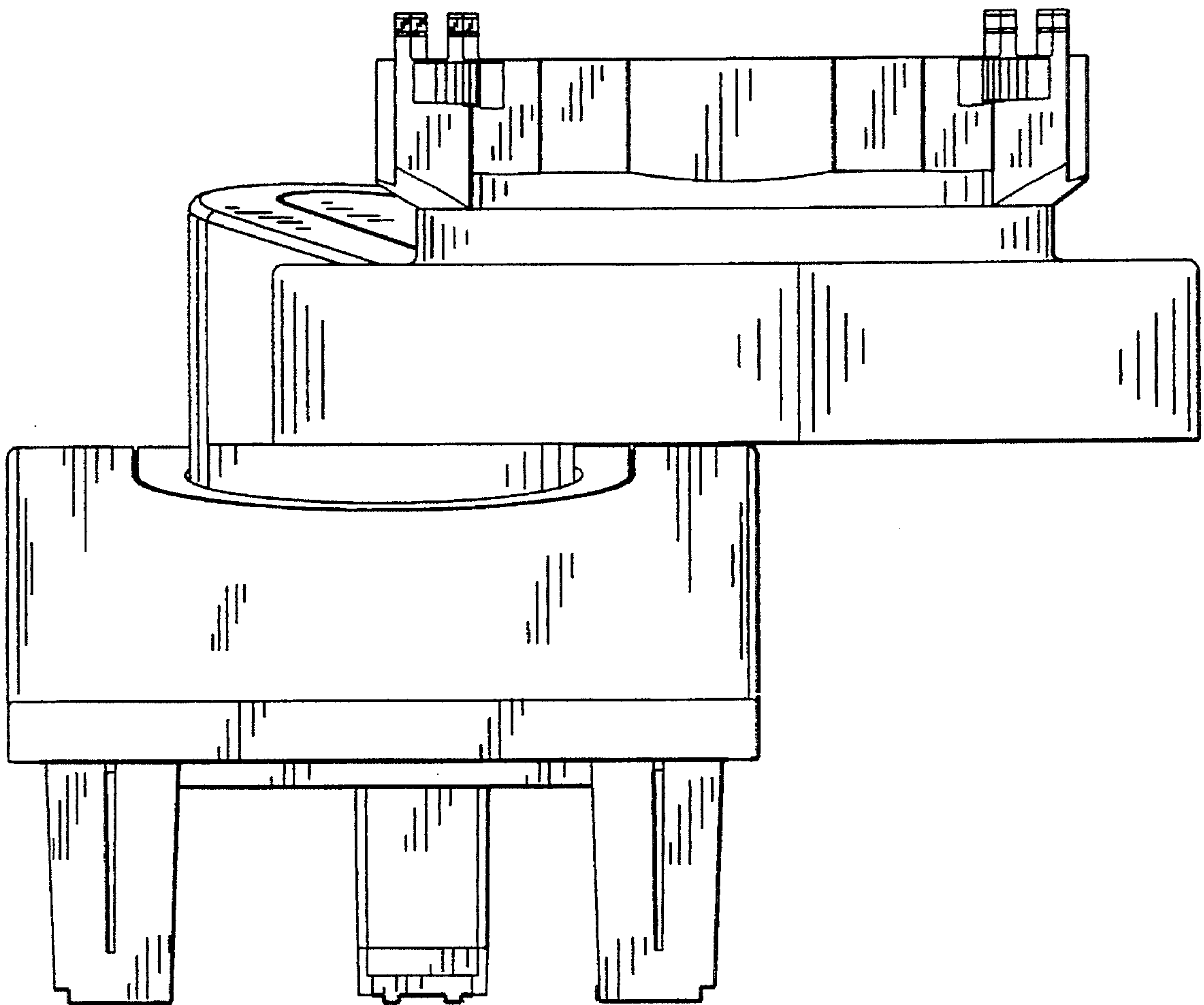


FIG. 3

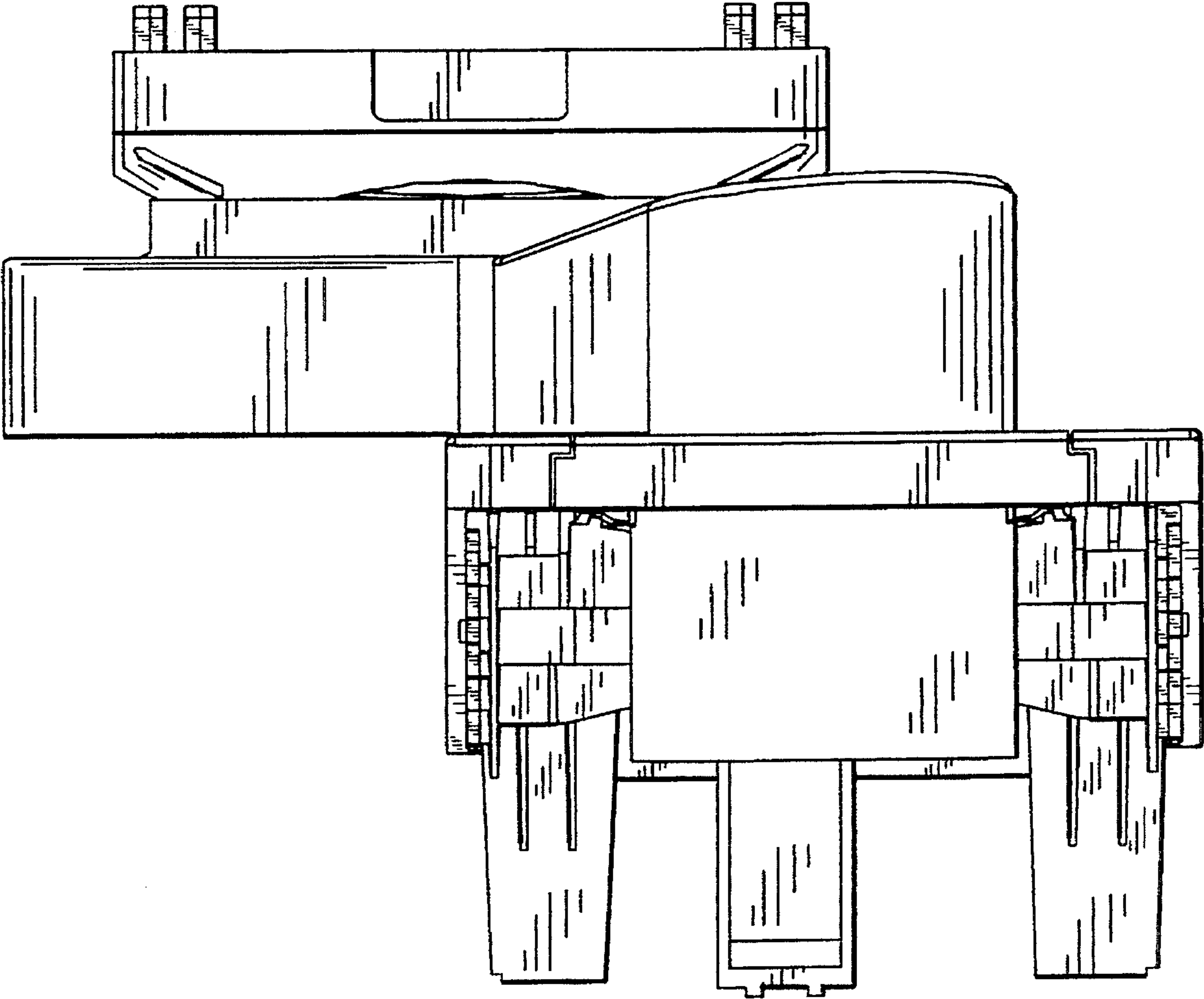


FIG. 4

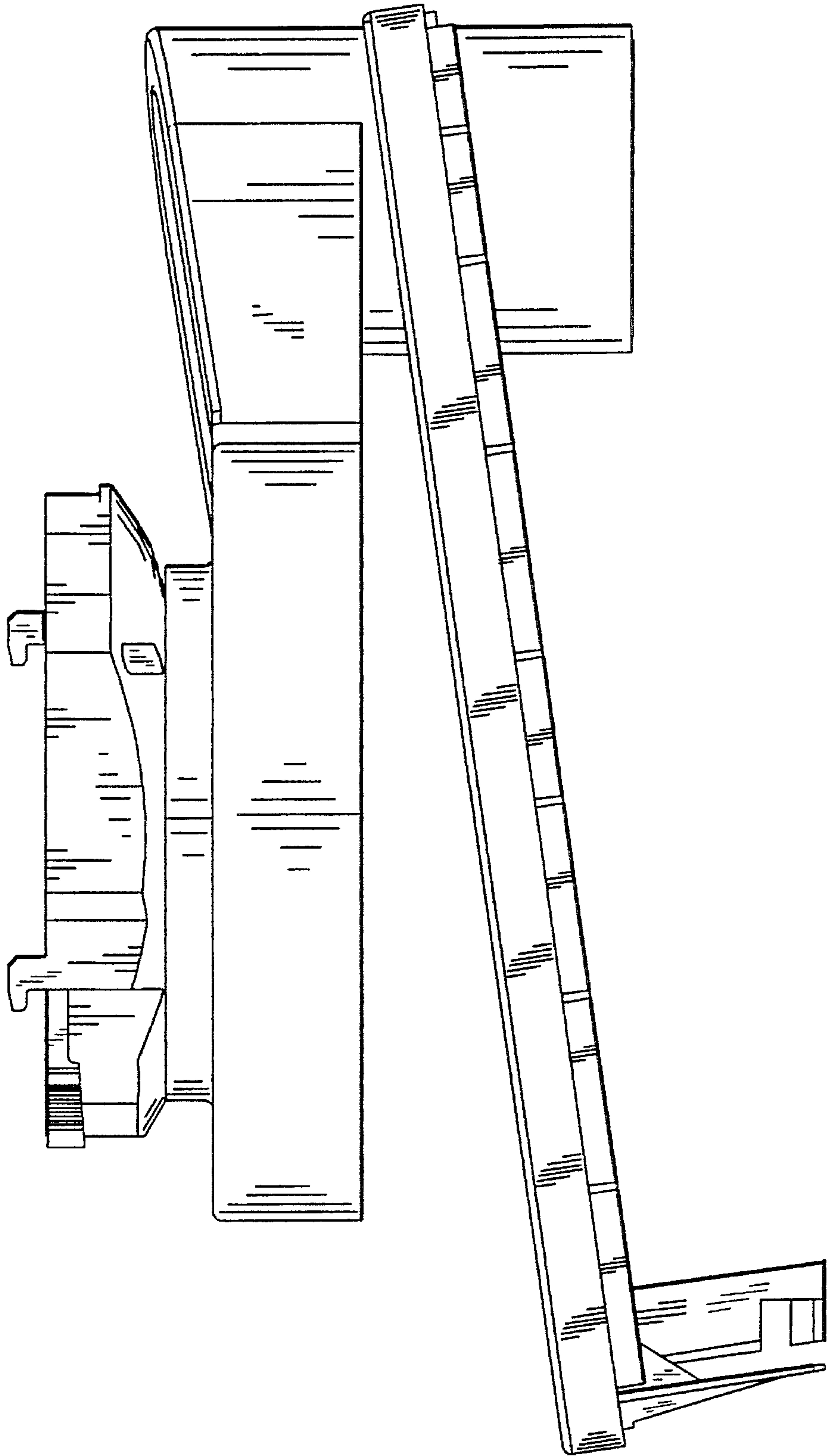
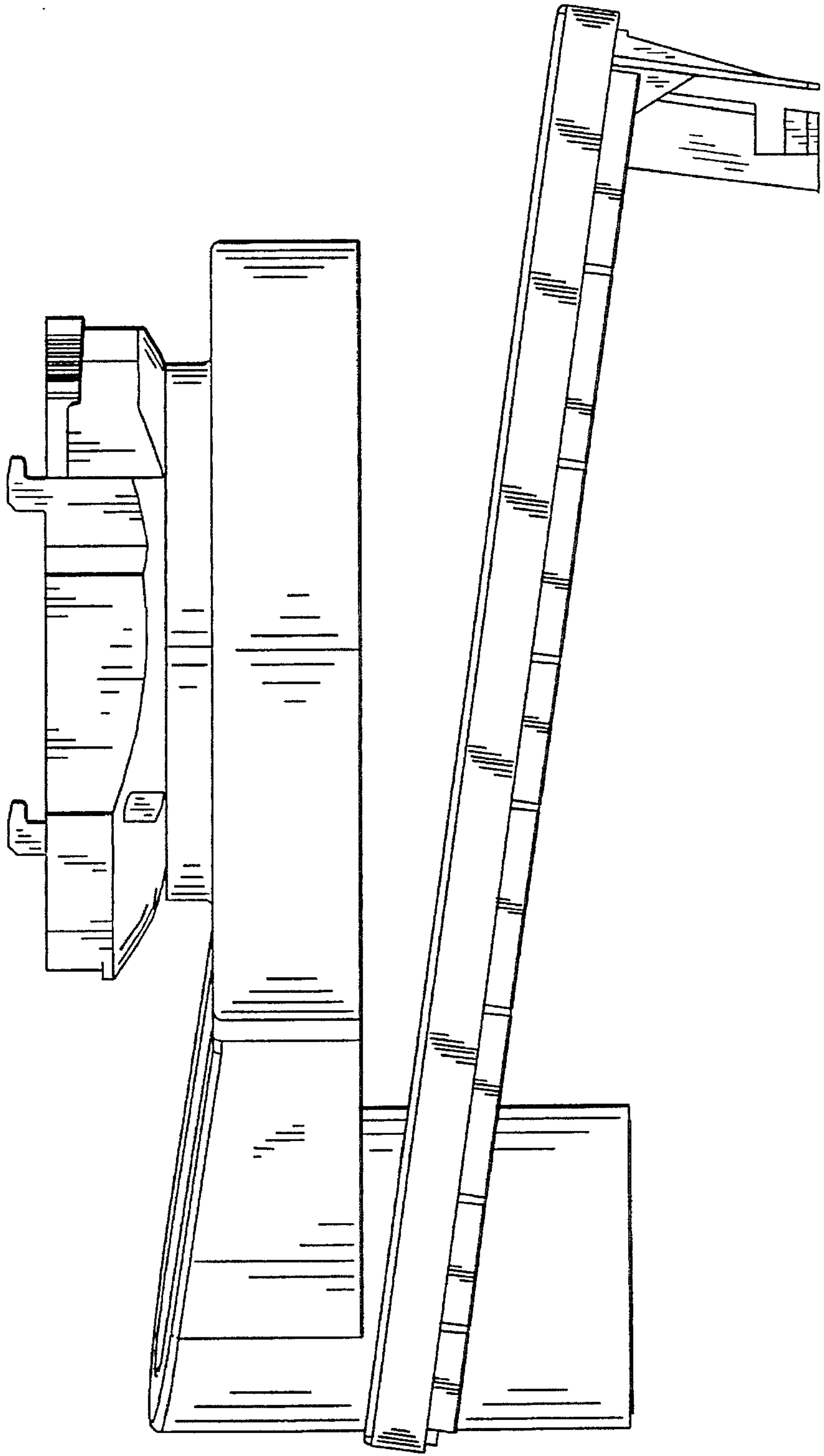


FIG. 5



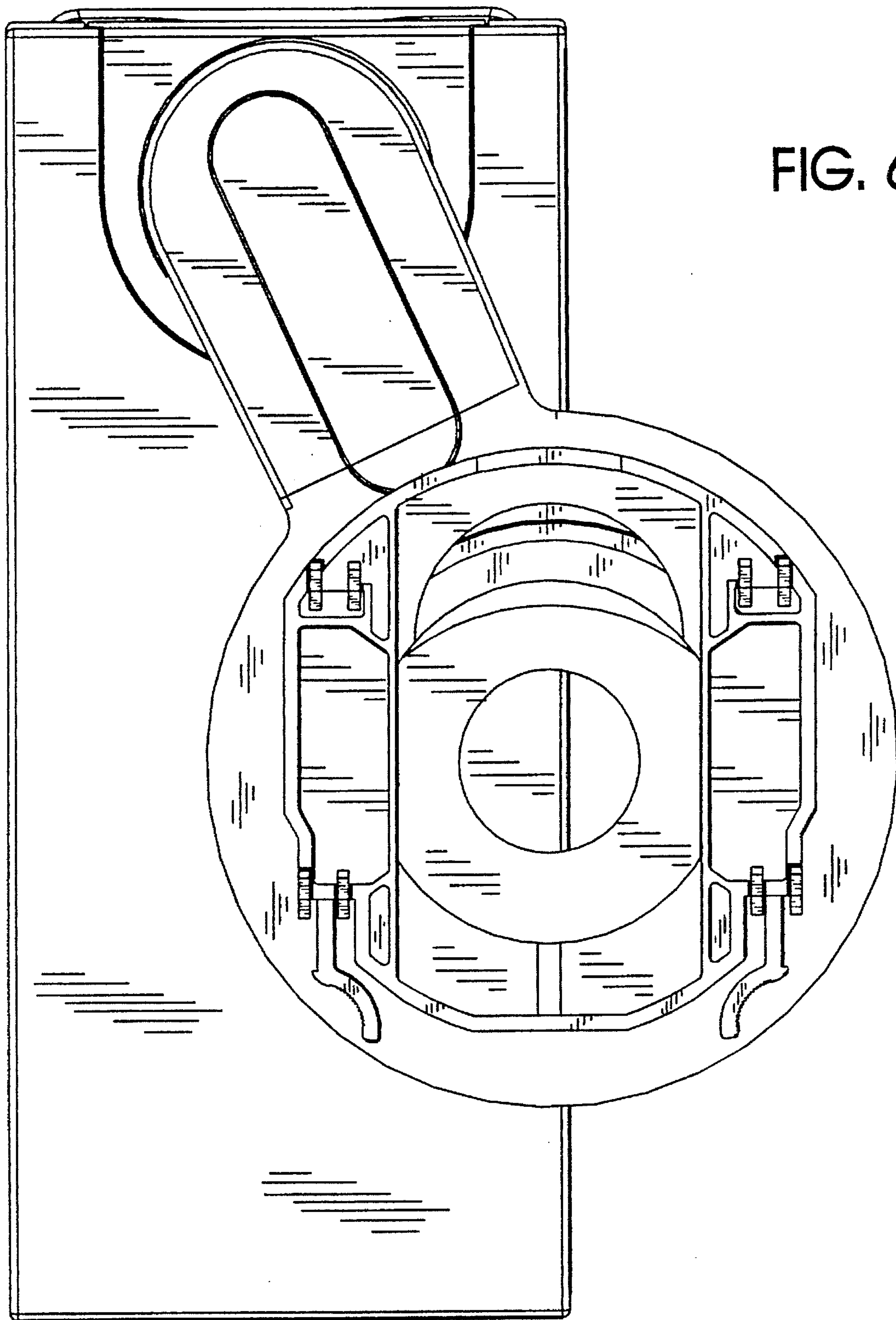


FIG. 6

