



US00D366252S

United States Patent [19]

Nelson et al.

[11] Patent Number: **Des. 366,252**

[45] Date of Patent: ****Jan. 16, 1996**

[54] **LAPTOP COMPUTER**

D. 351,377 10/1994 Yu D14/106
D. 356,069 3/1995 Lee D14/106

[75] Inventors: **Richard F. Nelson**, Butte, Mont.; **Steve G. Miggels**, Wyckoff, N.J.; **Henry J. Mack, Jr.**, Levittown, Pa.

Primary Examiner—Freda Nunn
Attorney, Agent, or Firm—Paul J. Maginot

[73] Assignee: **AT&T Global Information Solutions Company**, Dayton, Ohio

[57] **CLAIM**

The ornamental design for a laptop computer, as shown and described.

[**] Term: **14 Years**

DESCRIPTION

[21] Appl. No.: **35,276**

FIG. 1 is a front elevational view of our new design for a laptop computer;

[22] Filed: **Feb. 23, 1995**

FIG. 2 is a back elevational view of the laptop computer of FIG. 1;

[52] U.S. Cl. **D14/106**

FIG. 3 is a right side elevational view of the laptop computer of FIG. 1;

[58] **Field of Search** D14/100, 101, D14/106, 113, 115, 124-127; D18/1, 7; 235/145 A, 145 R; 341/22, 23; 345/104, 156, 168, 173, 87, 160, 167; 361/679-686; 364/708.1, 709.04, 709.12; 400/486, 489

FIG. 4 is a left side elevational view of the laptop computer of FIG. 1;

[56] **References Cited**

FIG. 5 is a top plan of the laptop computer of FIG. 1 the undisclosed bottom plan view is unornamented except for the supports;

U.S. PATENT DOCUMENTS

FIG. 6 is a right front perspective view of the laptop computer of FIG. 1.

D. 332,783 1/1993 Krakower et al. D14/106
D. 349,278 8/1994 Wetrin D14/106

1 Claim, 6 Drawing Sheets

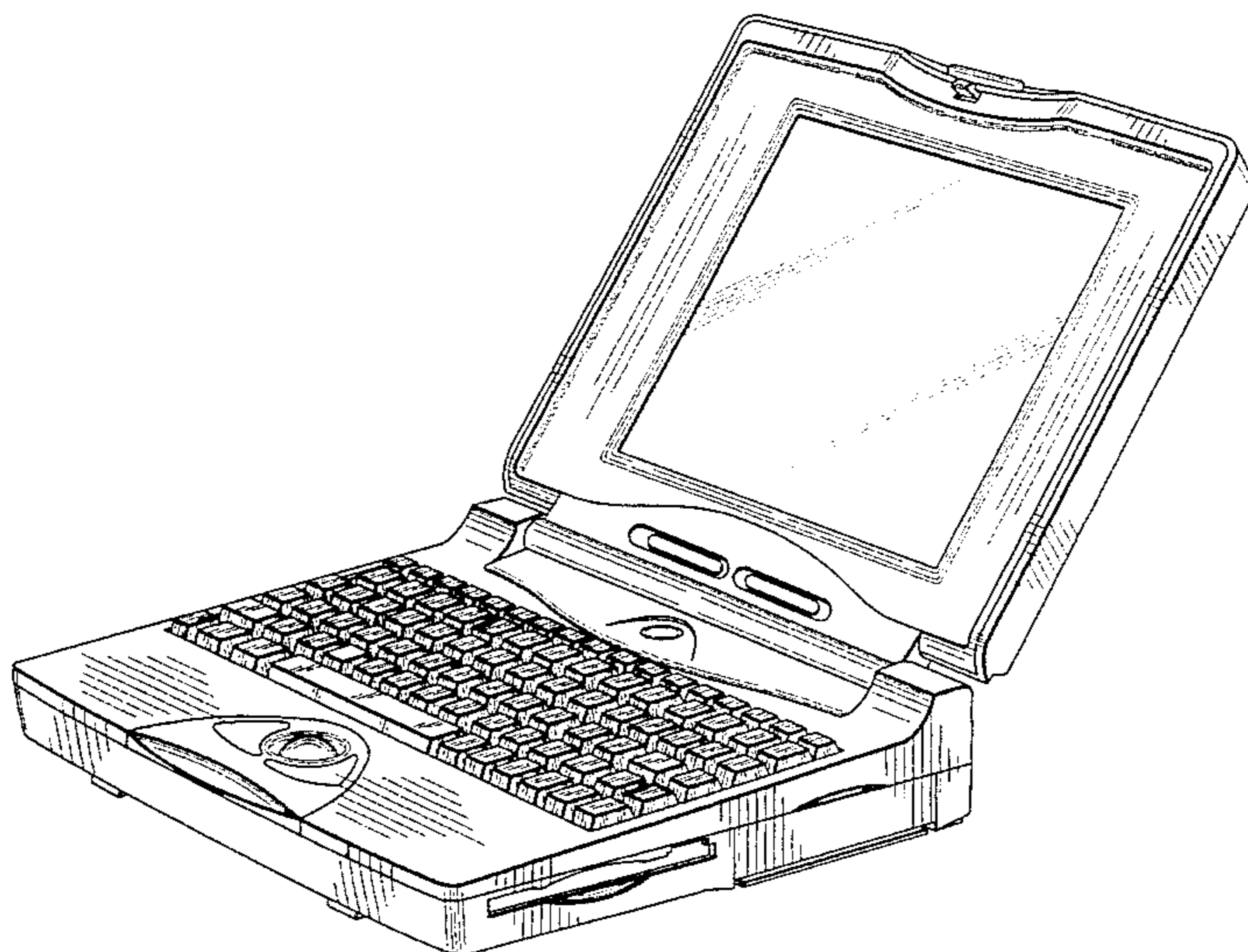
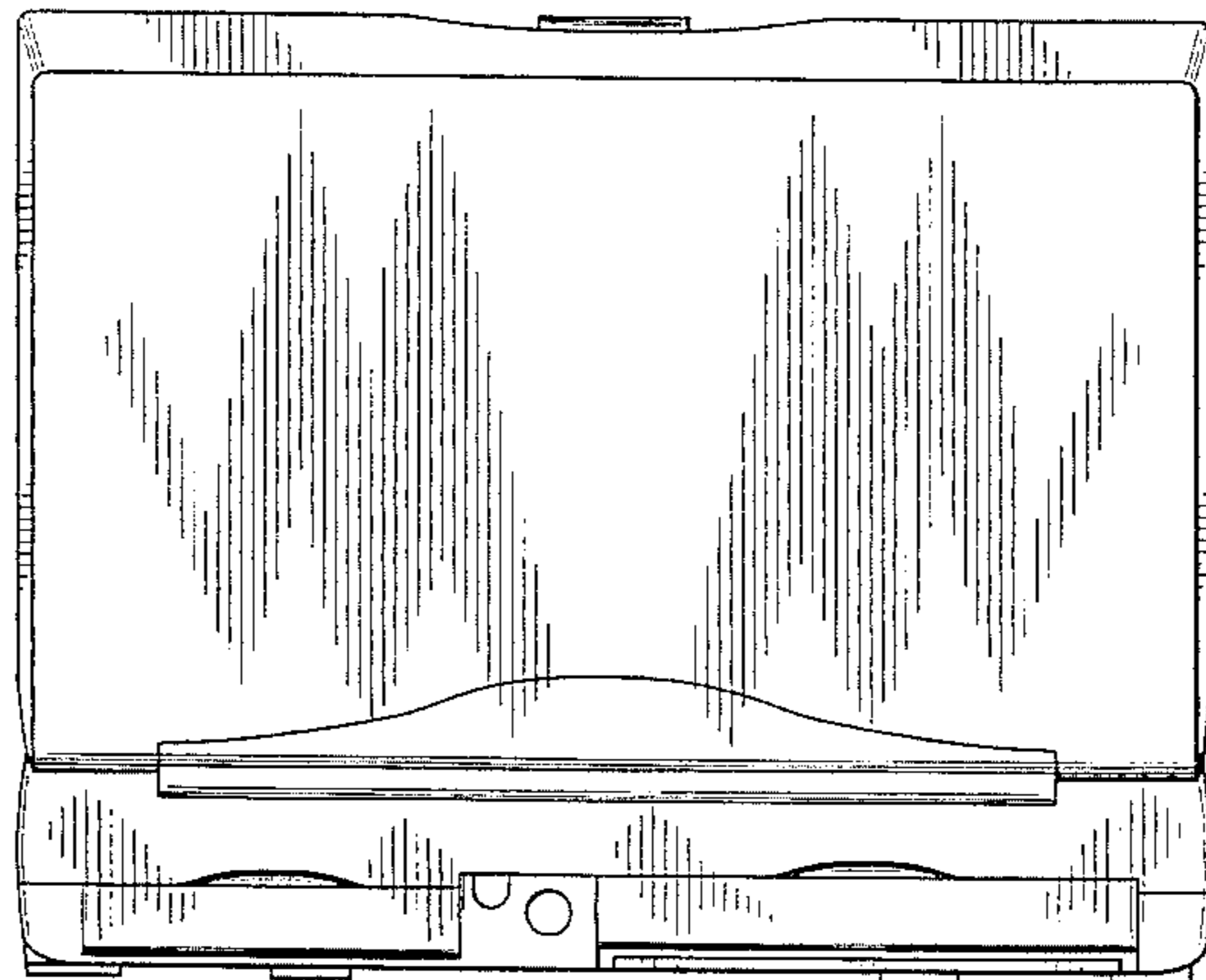


FIG. 1

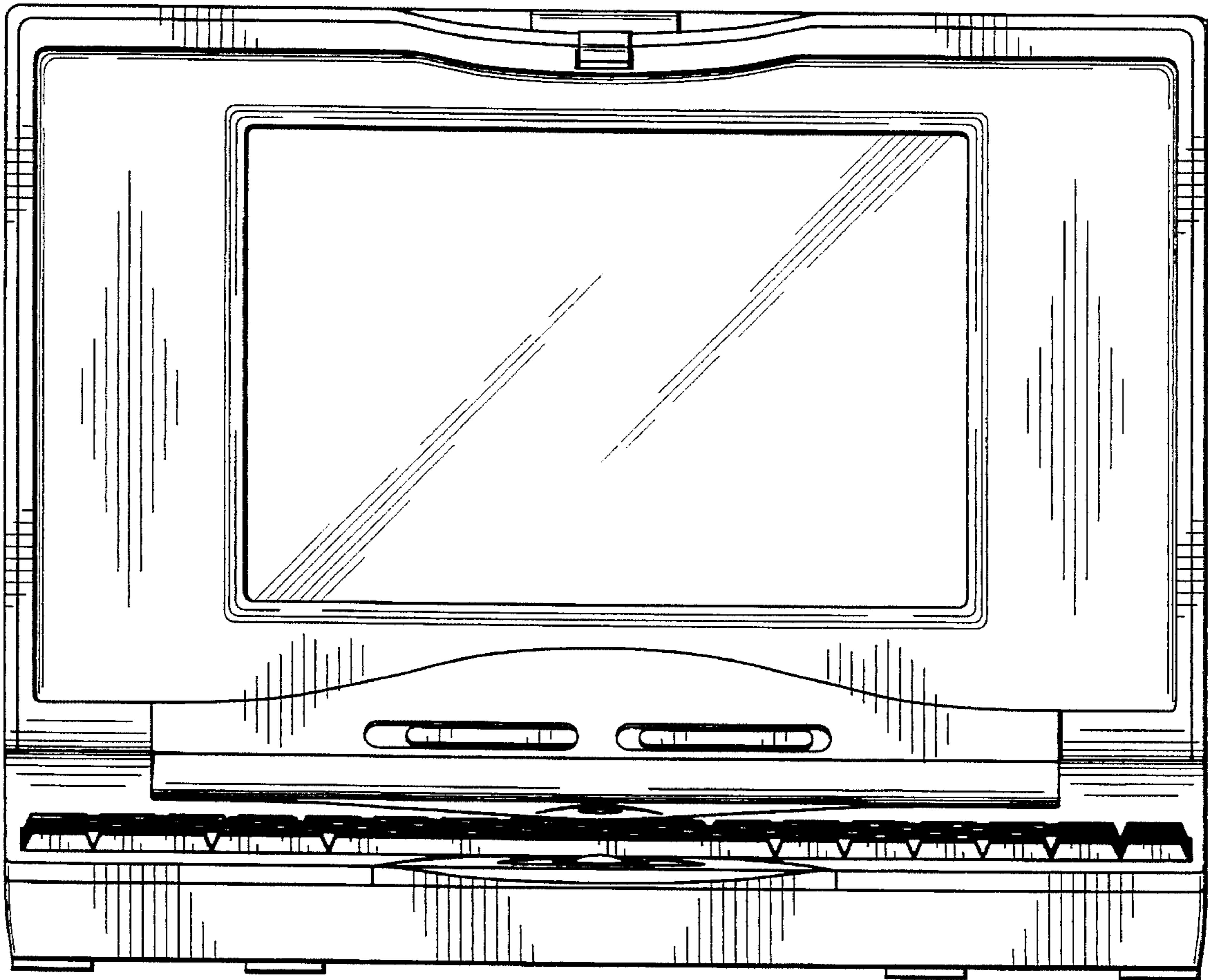
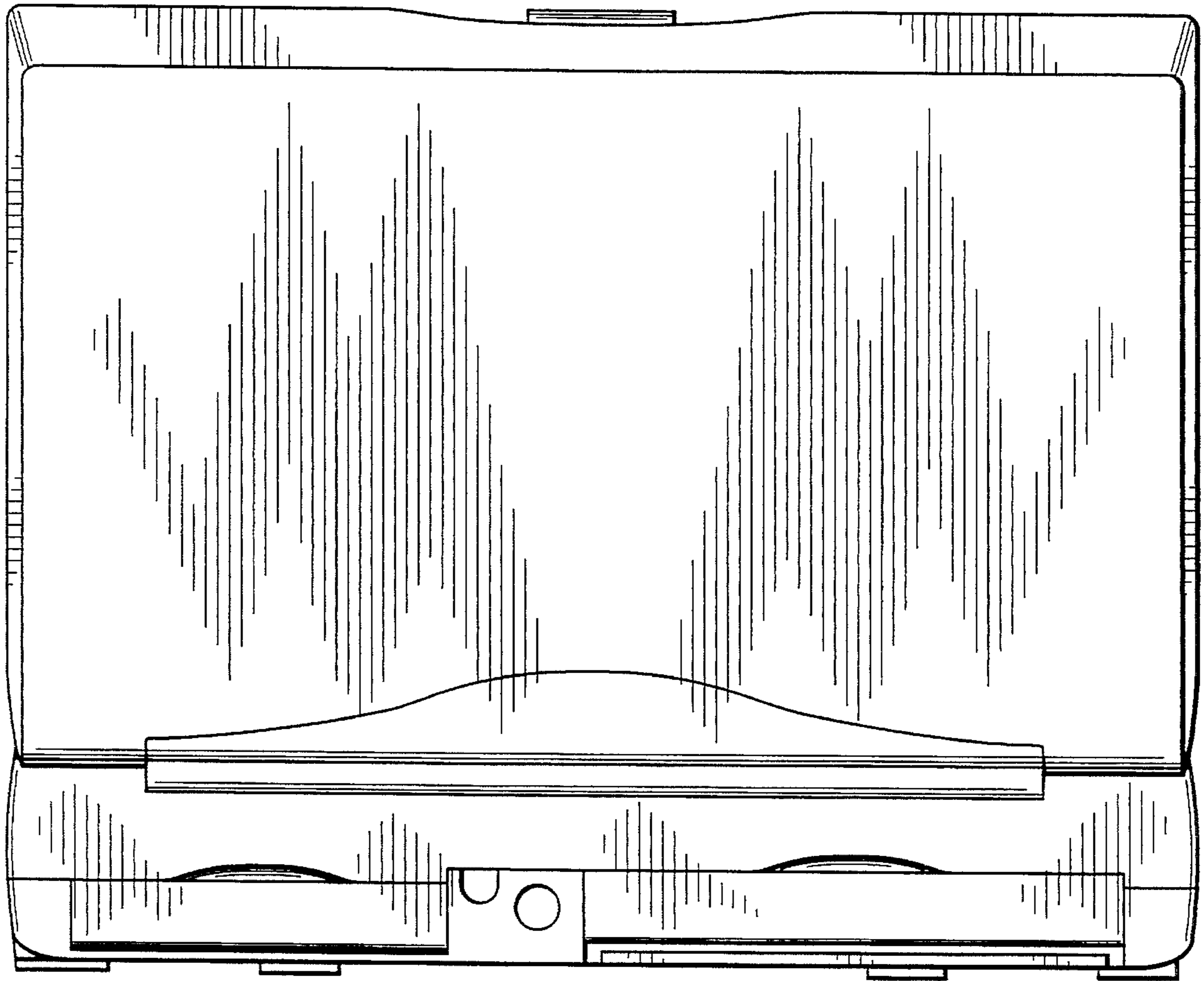


FIG. 2



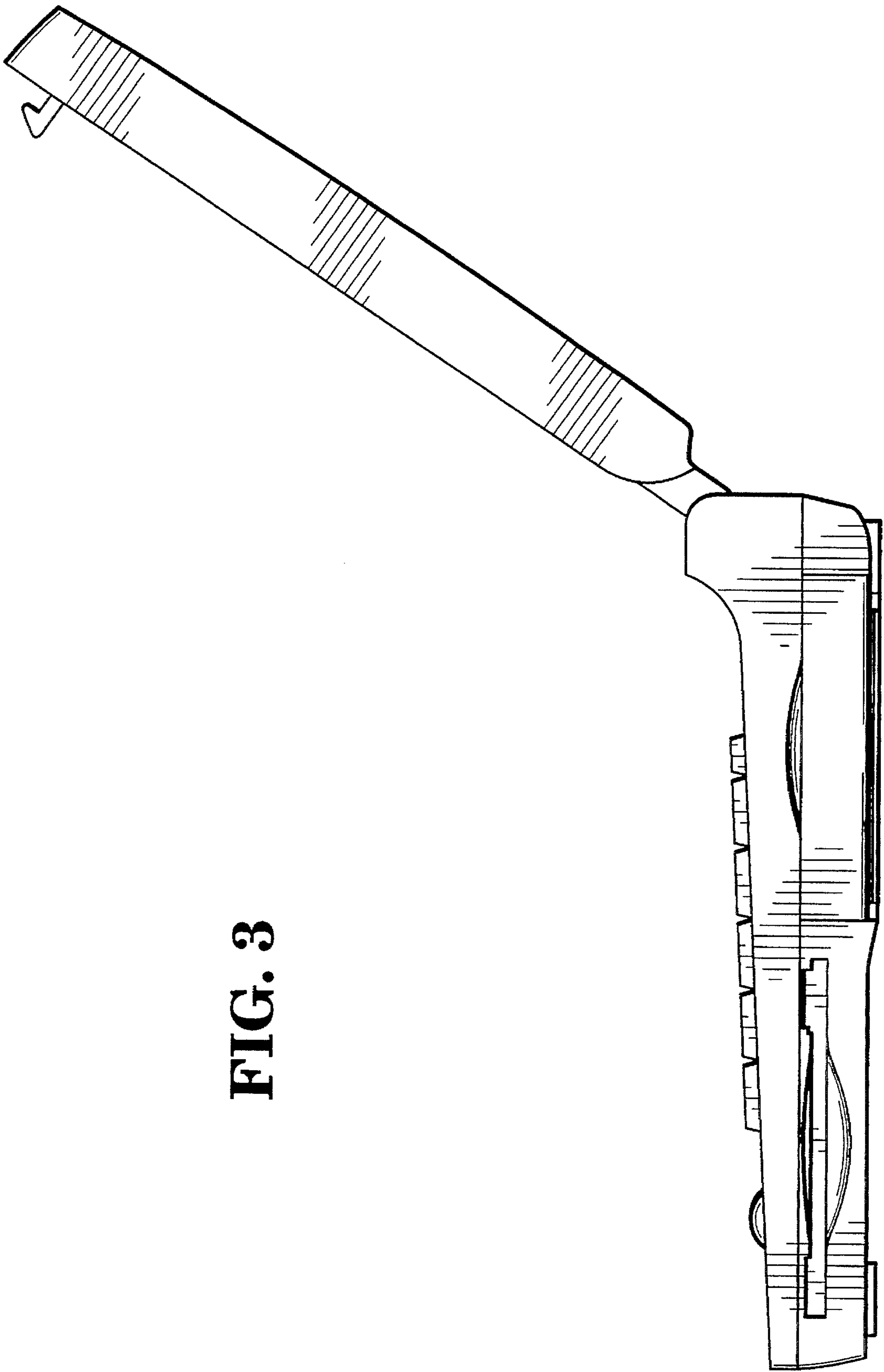


FIG. 3

FIG. 4

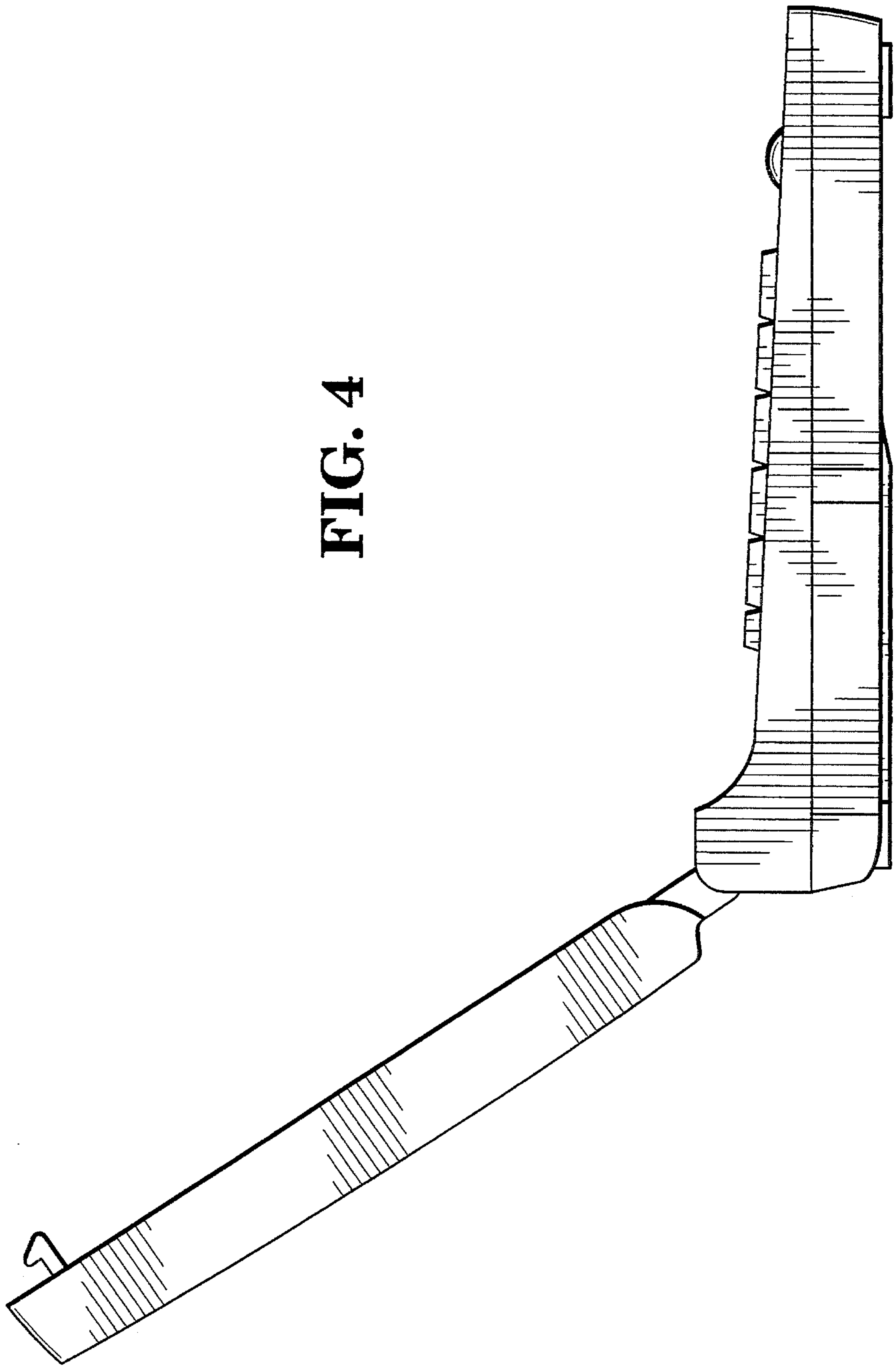
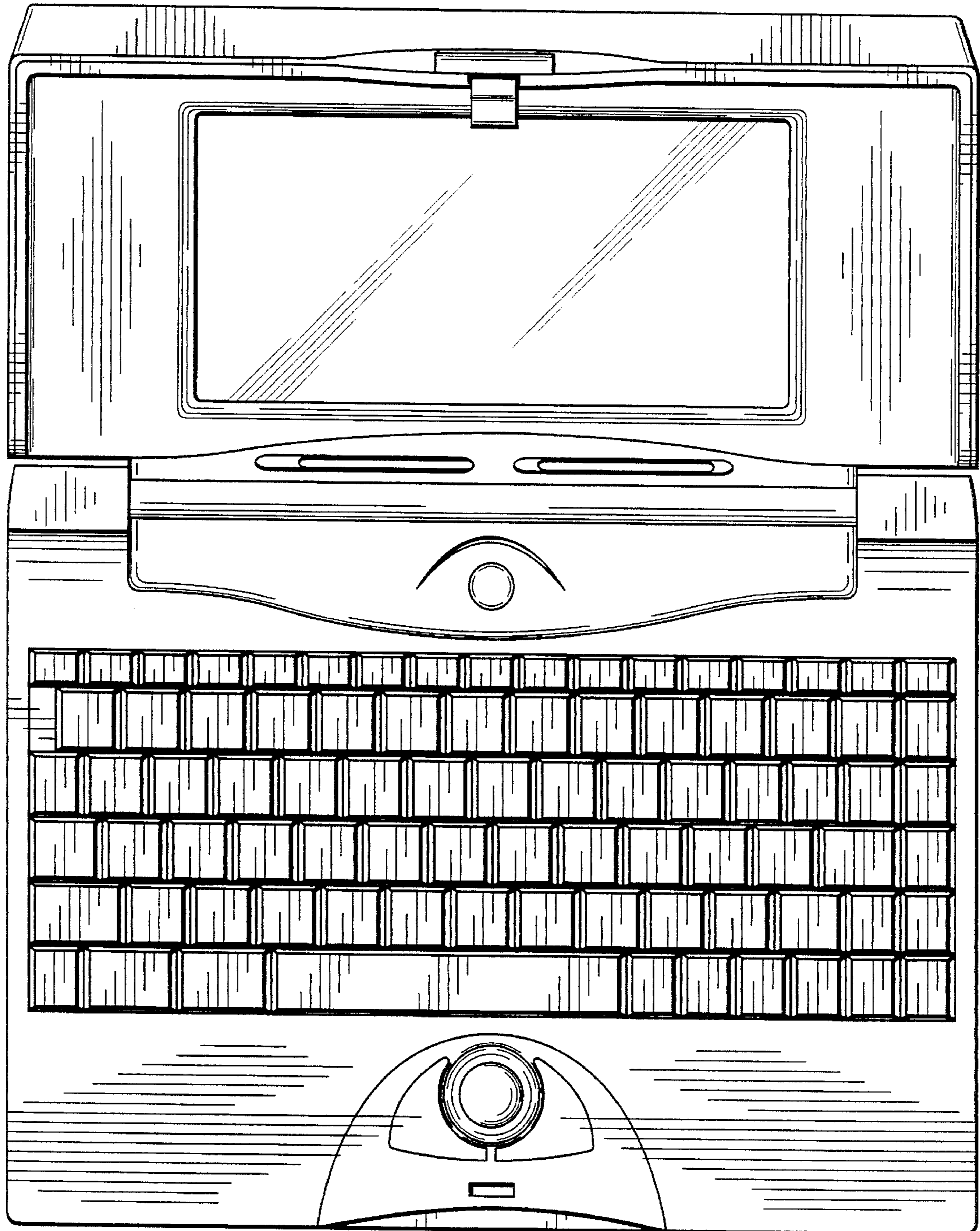


FIG. 5



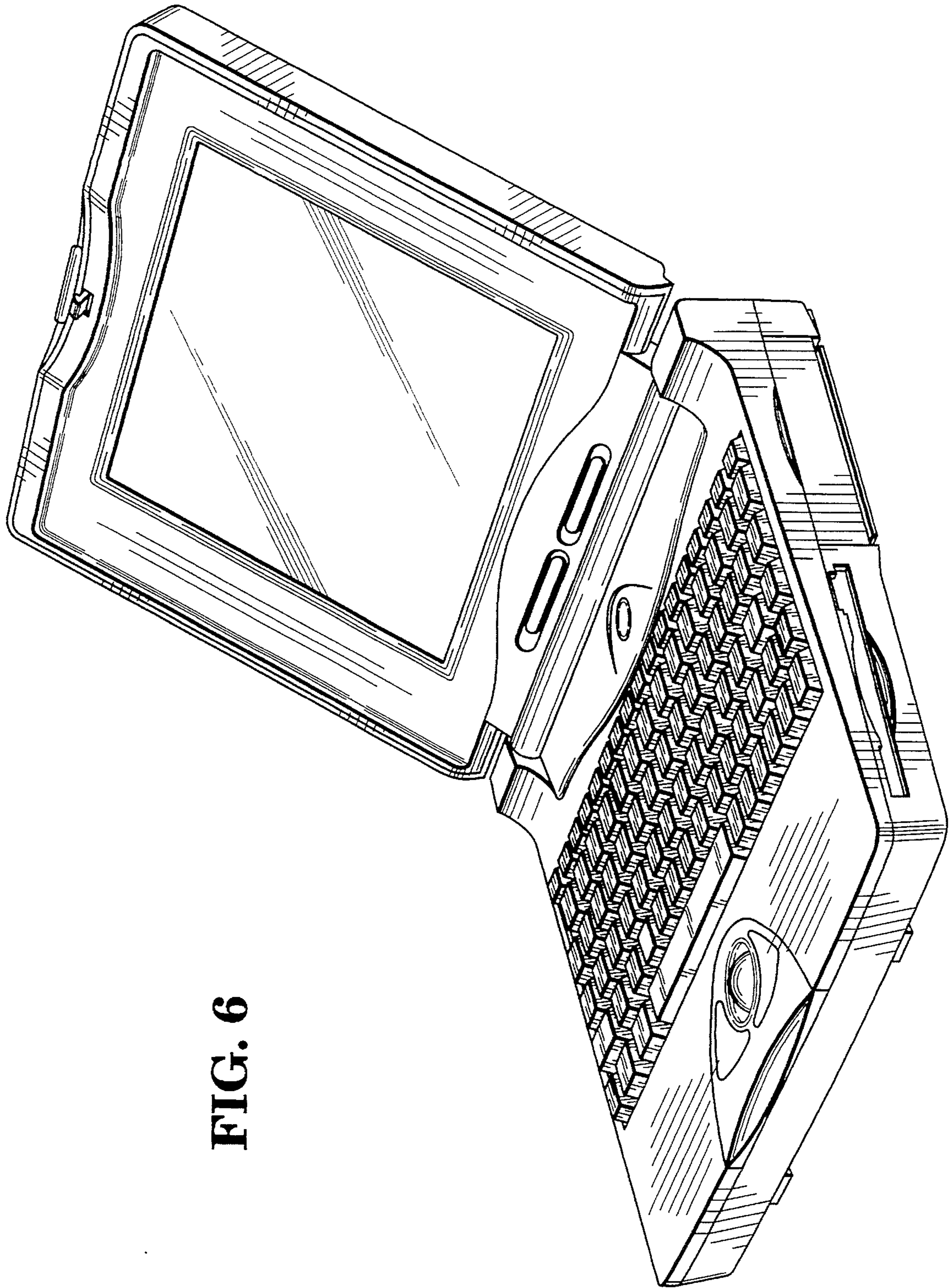


FIG. 6