



US00D366250S

United States Patent [19]

Connors et al.

[11] Patent Number: **Des. 366,250**

[45] Date of Patent: ****Jan. 16, 1996**

[54] **PERSONAL COMPUTER CABINET**

[75] Inventors: **Brian J. Connors; Tristan A. Merino,**
both of Austin, Tex.; **Kurtis T. Sakai,**
Long Beach, Calif.

[73] Assignee: **International Business Machines Corporation,** Armonk, N.Y.

[**] Term: **14 Years**

[21] Appl. No.: **35,078**

[22] Filed: **Feb. 21, 1995**

[52] U.S. Cl. **D14/100; D14/109**

[58] **Field of Search** D14/100, 102,
D14/107-109; D13/162, 184, 199; D6/432,
436, 445, 448; 312/208.1, 223.2; 360/97.01,
97.04, 98.01, 99.01, 99.12; 361/600, 622,
724-728

[56] **References Cited**

U.S. PATENT DOCUMENTS

D. 340,444 10/1993 Kuba et al. D14/100

D. 356,783 3/1995 Demar et al. D14/107
D. 357,232 4/1995 Merino D14/100
D. 359,477 6/1995 Shoda D14/100

Primary Examiner—Freda Nunn
Attorney, Agent, or Firm—Casimer K. Salys

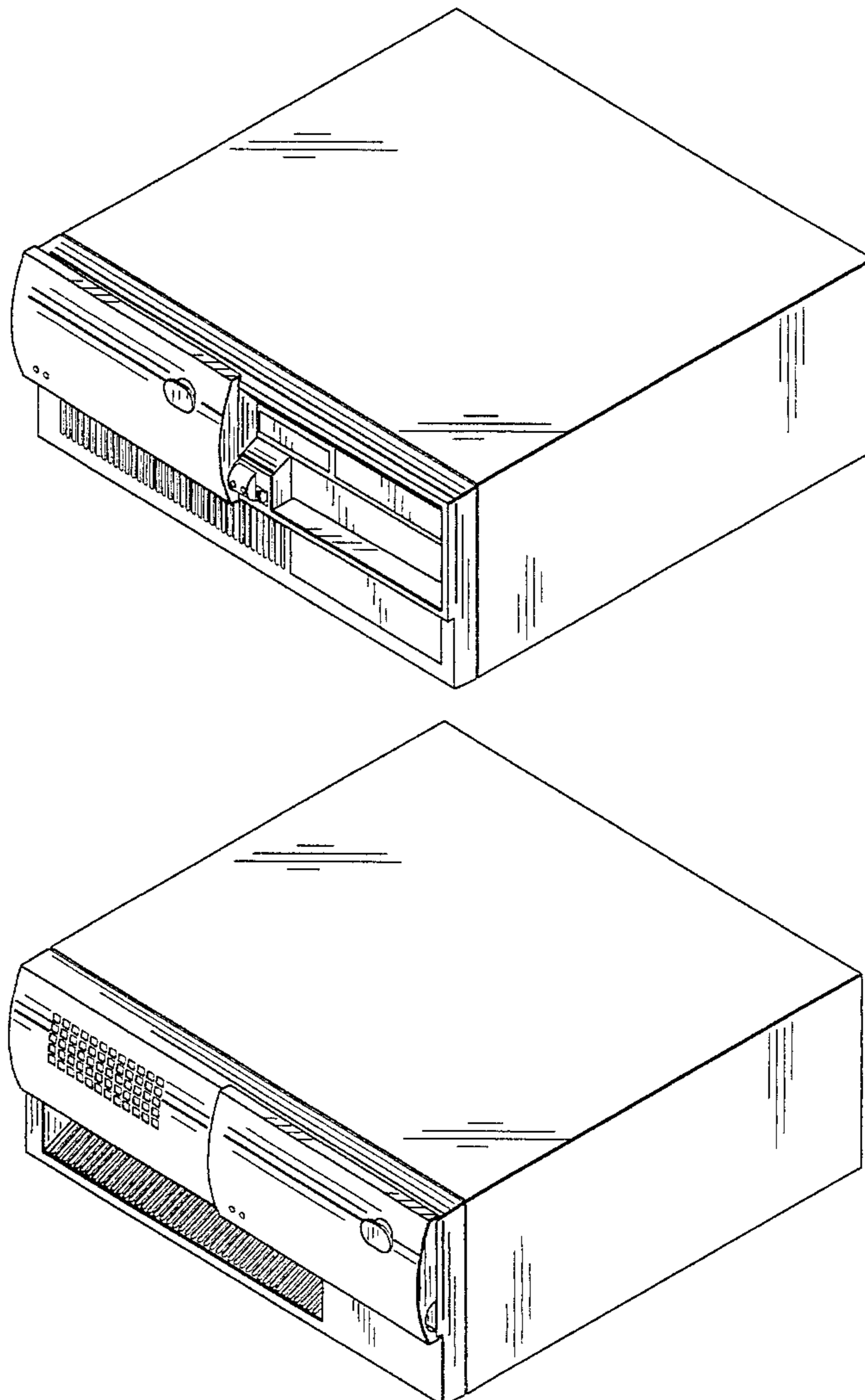
[57] **CLAIM**

The ornamental design for the personal computer cabinet, as shown and described.

DESCRIPTION

FIG. 1 is a front view of the computer cabinet;
FIG. 2 is a left side view thereof;
FIG. 3 is a right side view thereof;
FIG. 4 is a top plan view thereof;
FIG. 5 is a bottom plan view thereof;
FIG. 6 is a front, top, right side perspective view thereof, with a sliding access door closed;
FIG. 7 is a front, top, right side perspective view thereof, with the sliding access door open; and,
FIG. 8 is a front, top, right side perspective view thereof, with the sliding access door closed and a tilted front grill.

1 Claim, 6 Drawing Sheets



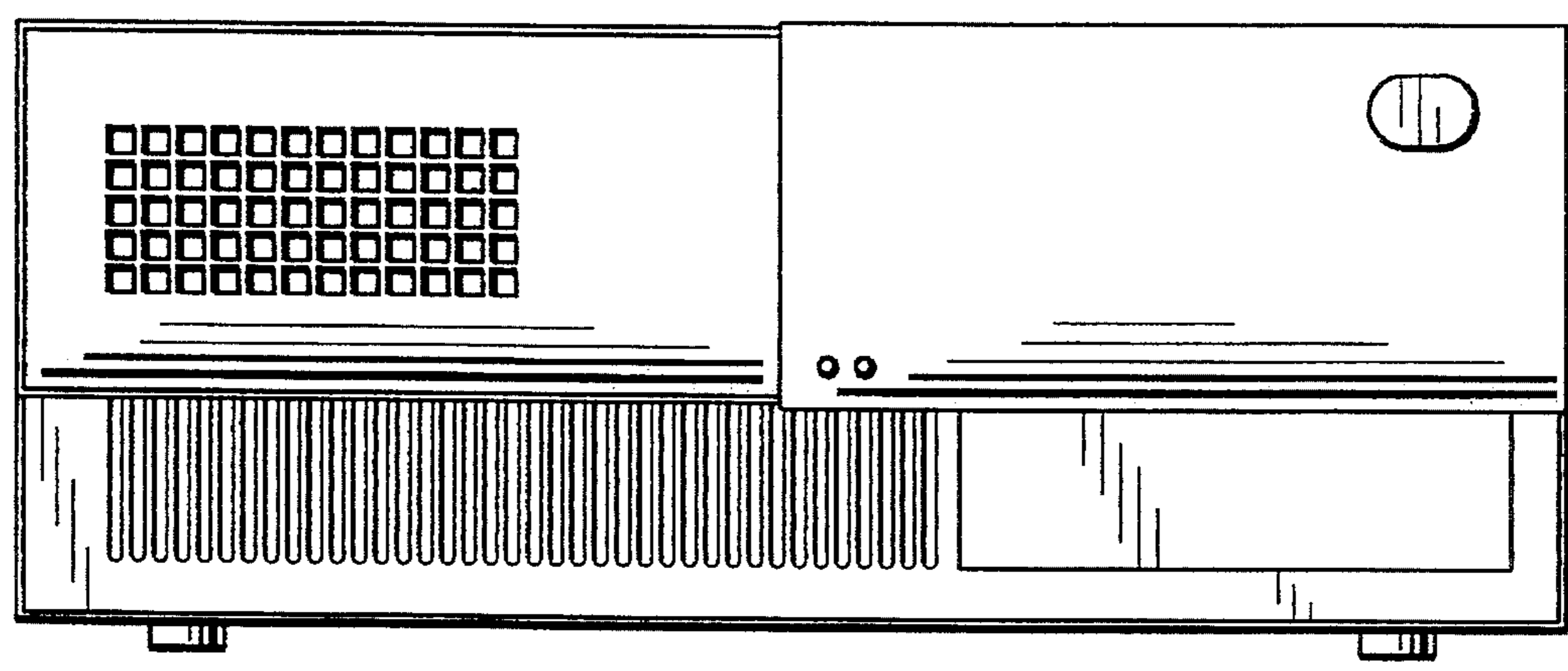


FIG. 1

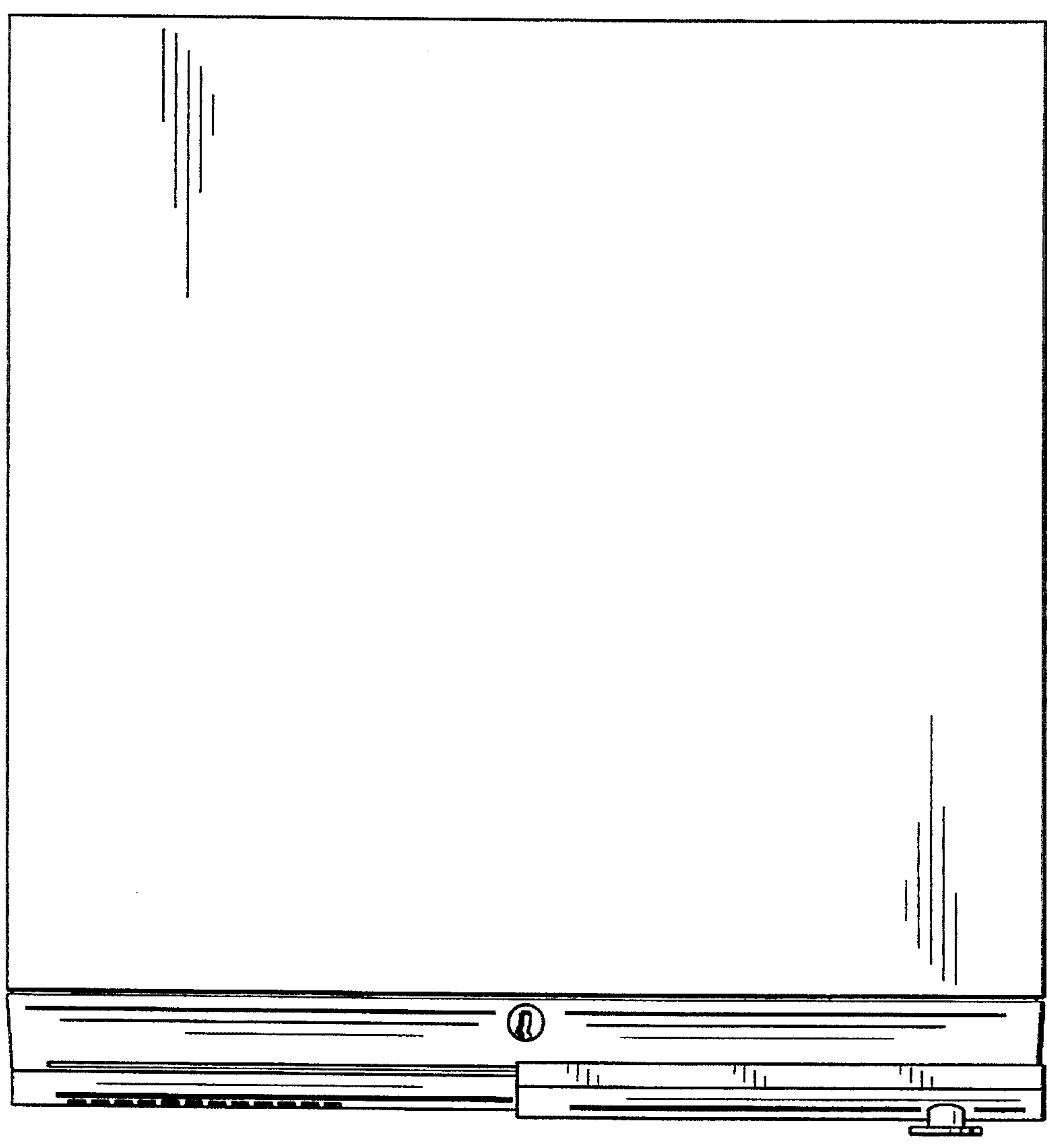


FIG. 4

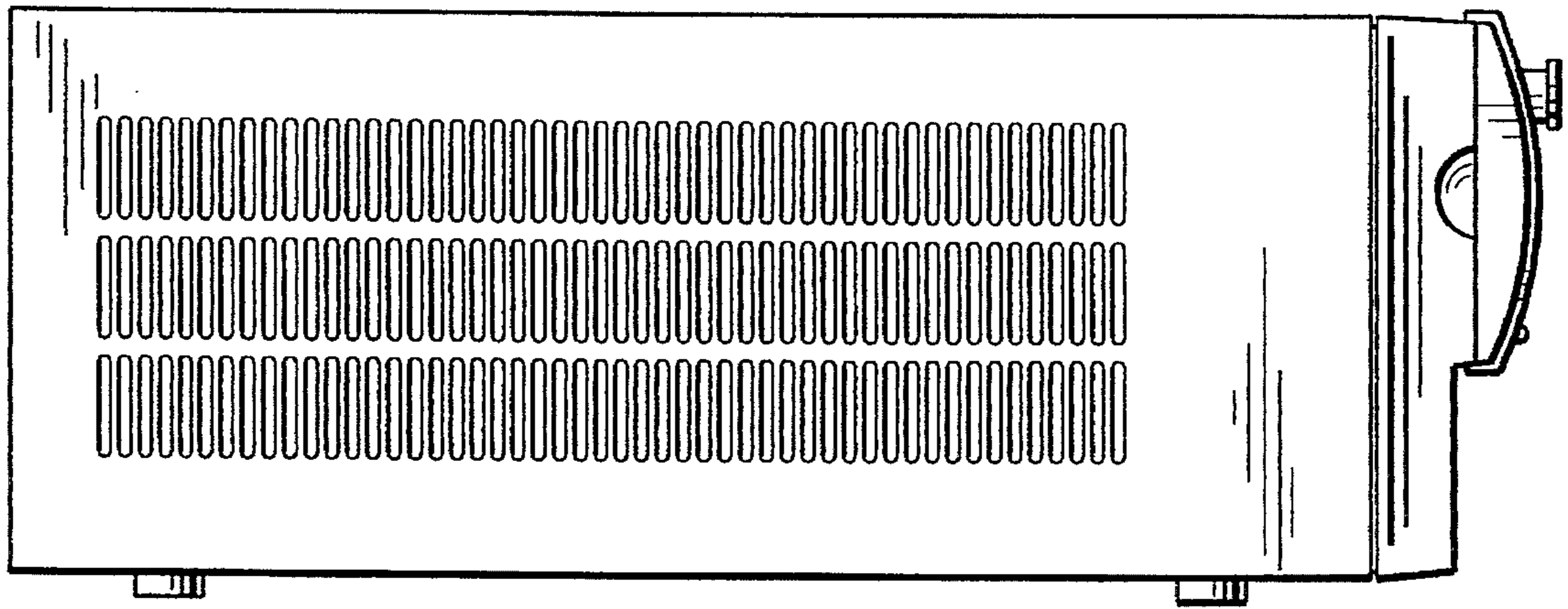


FIG. 2

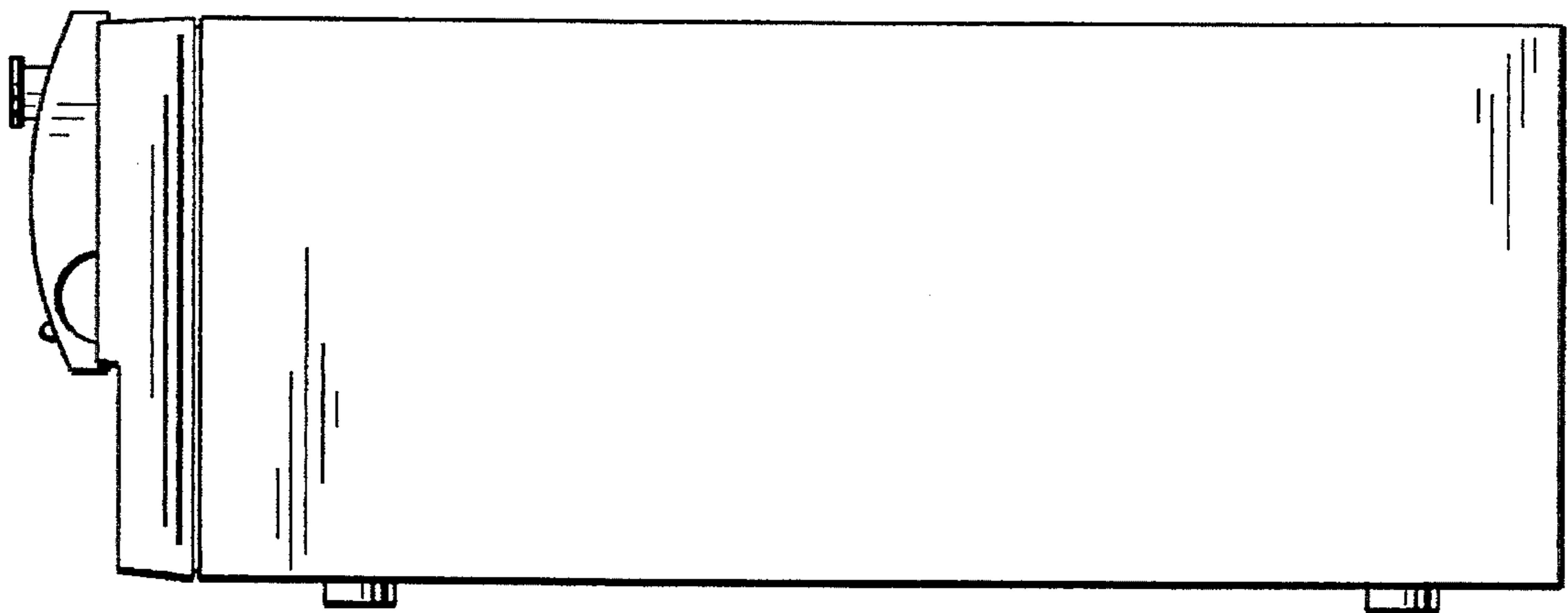


FIG. 3

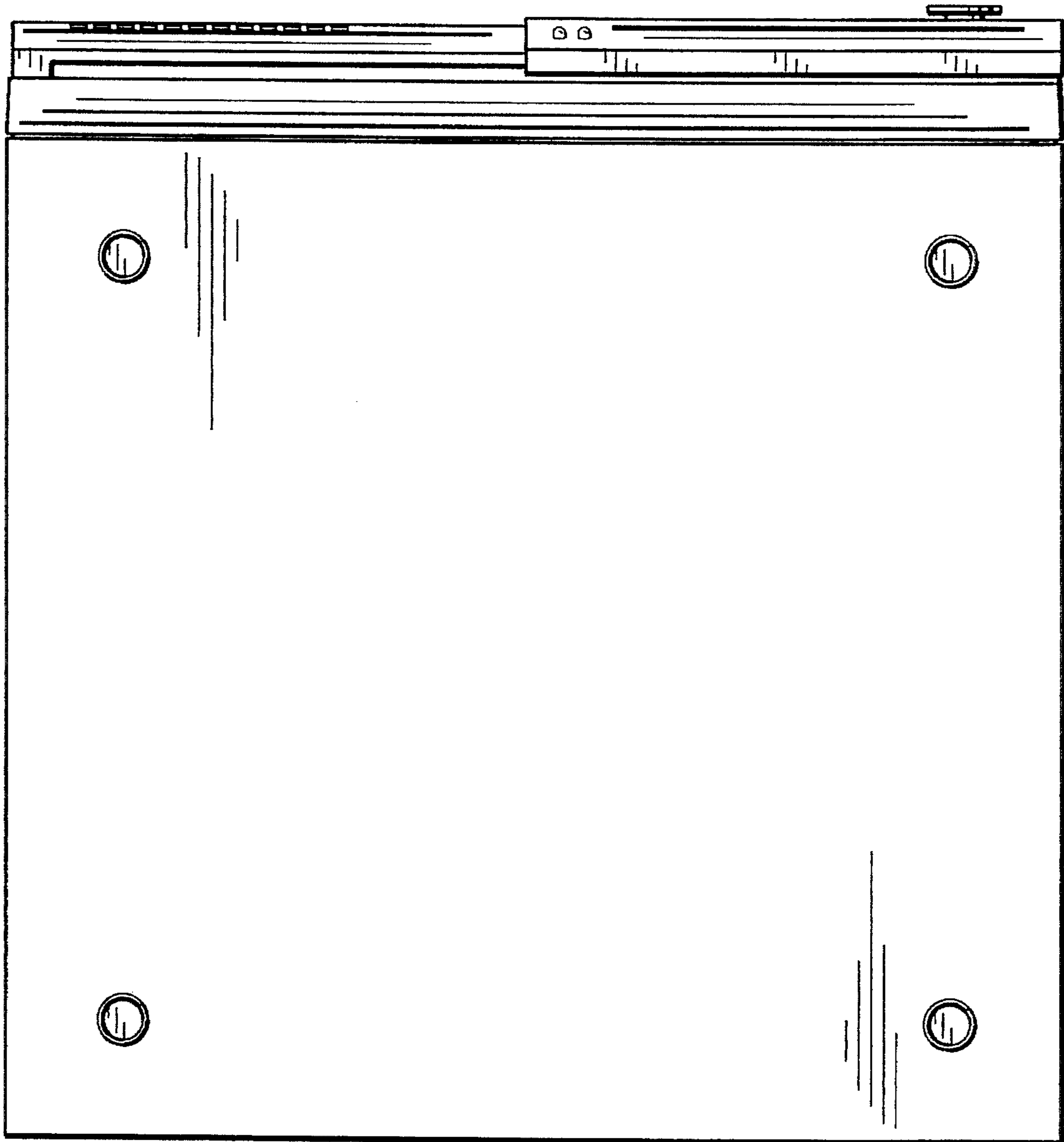


FIG. 5

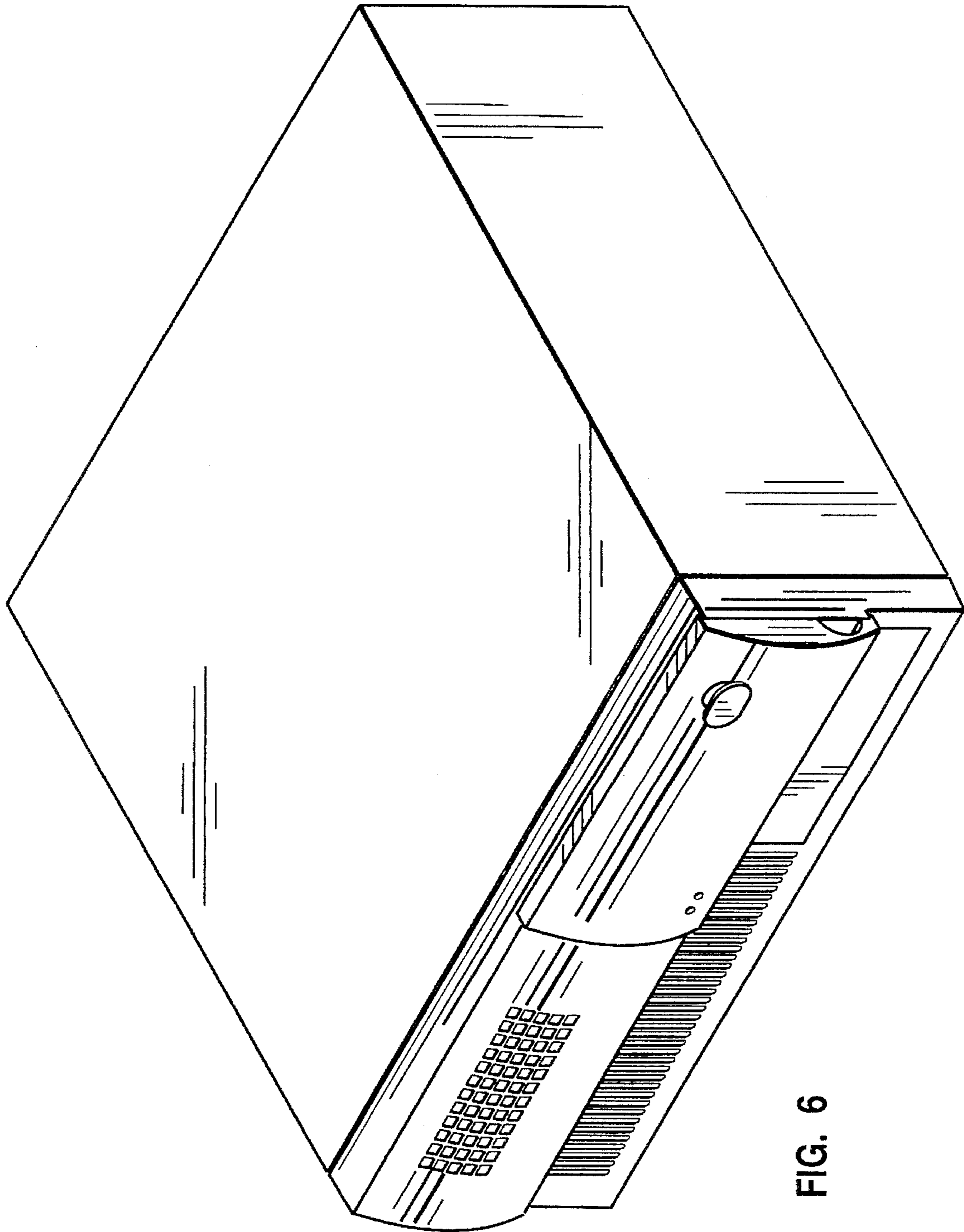


FIG. 6

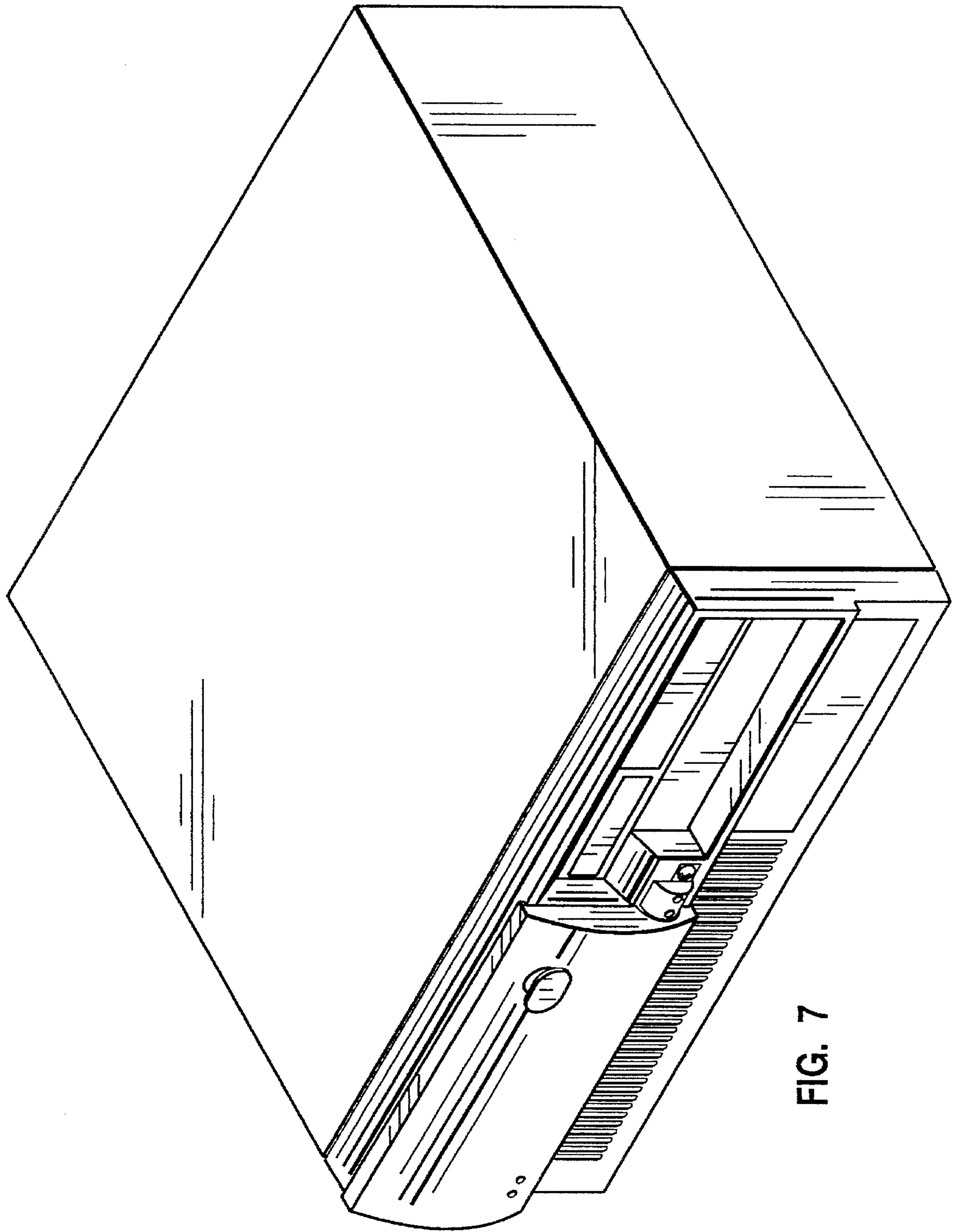


FIG. 7

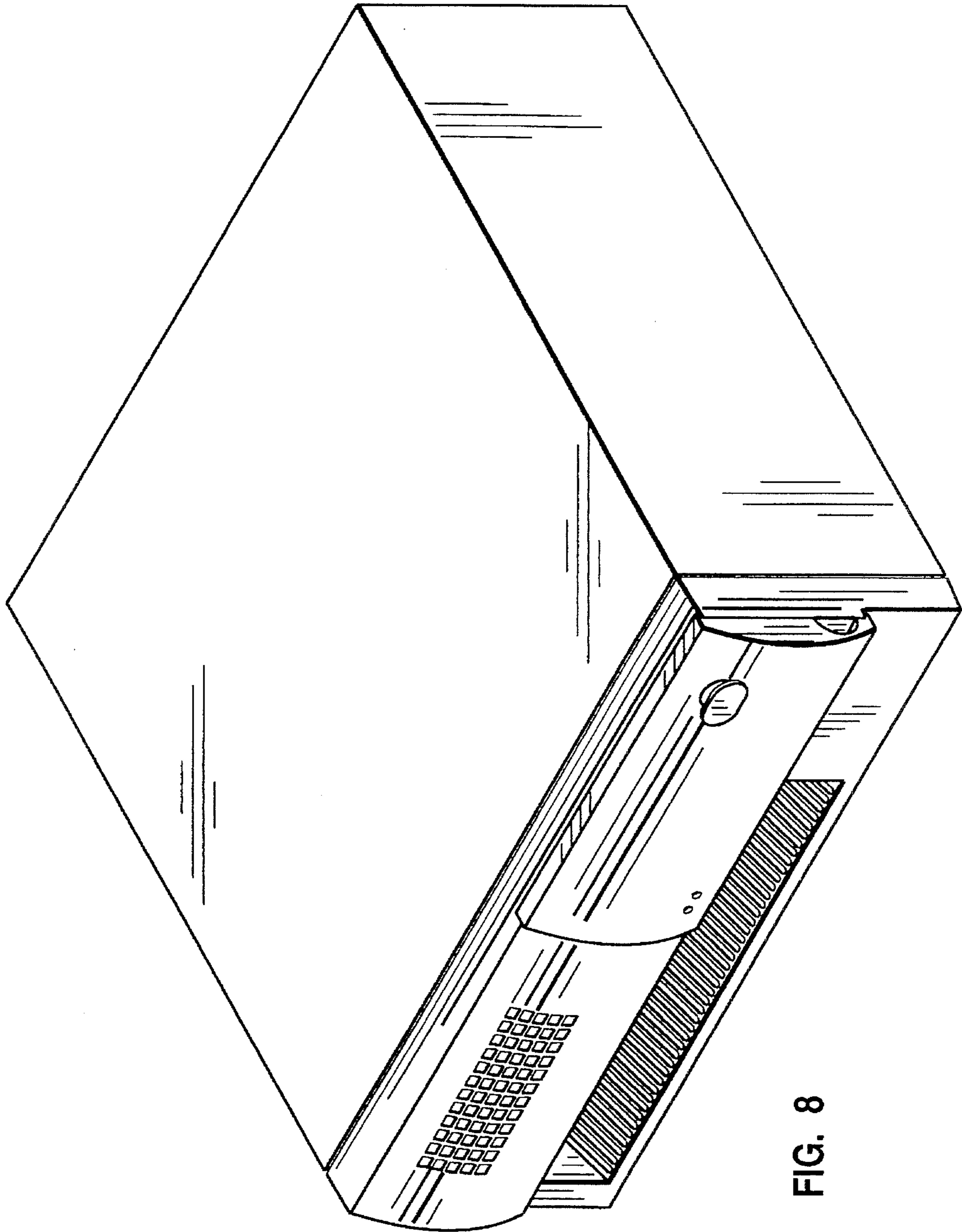


FIG. 8